



US00D573451S

(12) **United States Design Patent**
Yang

(10) **Patent No.:** **US D573,451 S**
(45) **Date of Patent:** **** Jul. 22, 2008**

(54) **WHEEL SEAT**

D557,121 S * 12/2007 Screen D8/375
D557,123 S * 12/2007 Screen D8/375

(75) Inventor: **Sung-Wang Yang**, Tainan Hsien (TW)

* cited by examiner

(73) Assignee: **Sunny Castors Co., Ltd.**, Tainan Hsien (TW)

Primary Examiner—Gary D. Watson
Assistant Examiner—Susan B Hattan

(**) Term: **14 Years**

(74) *Attorney, Agent, or Firm*—Alan Kamrath; Kamrath & Associates PA

(21) Appl. No.: **29/271,142**

(57) **CLAIM**

(22) Filed: **Jan. 10, 2007**

The ornamental design for a wheel seat, as shown and described.

(51) **LOC (8) Cl.** **08-05**

(52) **U.S. Cl.** **D8/375**

(58) **Field of Classification Search** D8/375;
D34/27; D3/318; D12/501, 209, 208, 207;
188/1.12; 16/47, 46, 45, 35 R, 35 D, 31 R,
16/29, 22, 18 R, 18 CG

See application file for complete search history.

DESCRIPTION

FIG. 1 is a perspective view of a wheel seat showing my design;

FIG. 2 is a front elevational view thereof;

FIG. 3 is a rear elevational view thereof;

FIG. 4 is a left side elevational view thereof;

FIG. 5 is a right side elevational view thereof;

FIG. 6 is a top plan view thereof; and,

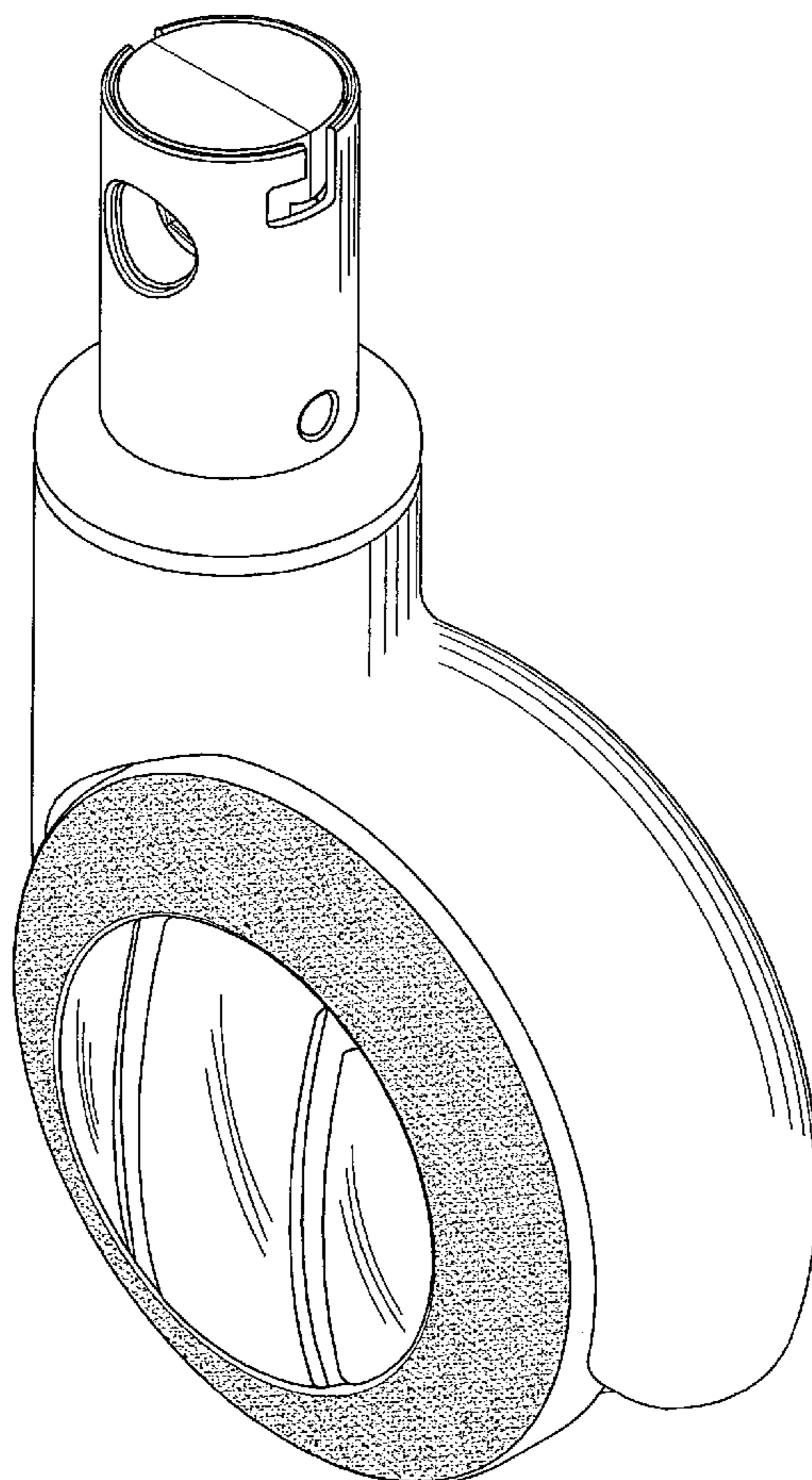
FIG. 7 is a bottom plan view thereof.

(56) **References Cited**

U.S. PATENT DOCUMENTS

3,977,040 A * 8/1976 Sugawara 16/45
D319,384 S * 8/1991 Lange D8/375
D447,682 S * 9/2001 Grabowski et al. D8/375
D545,670 S * 7/2007 Ostenrieder et al. D8/375

1 Claim, 7 Drawing Sheets



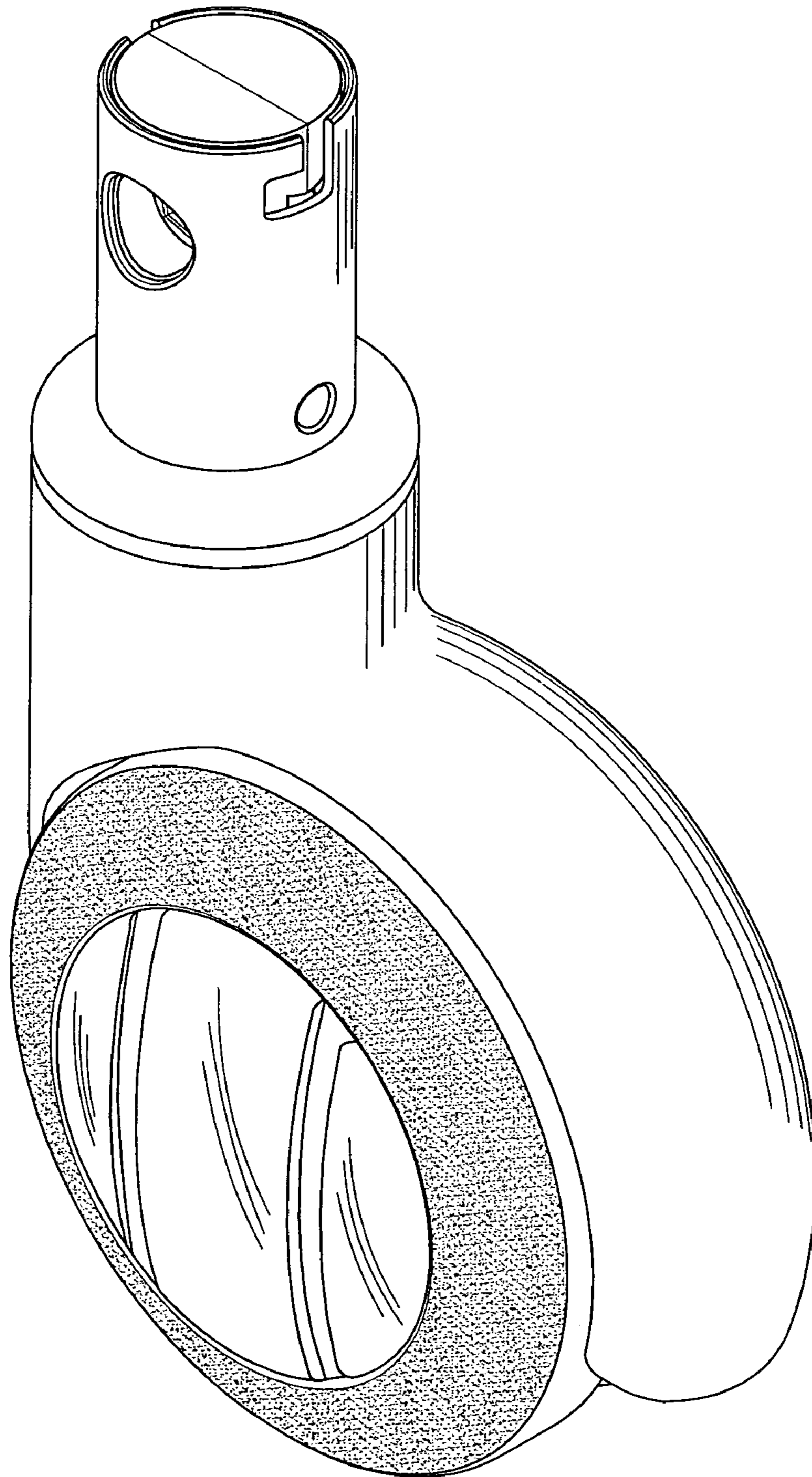


FIG. 1

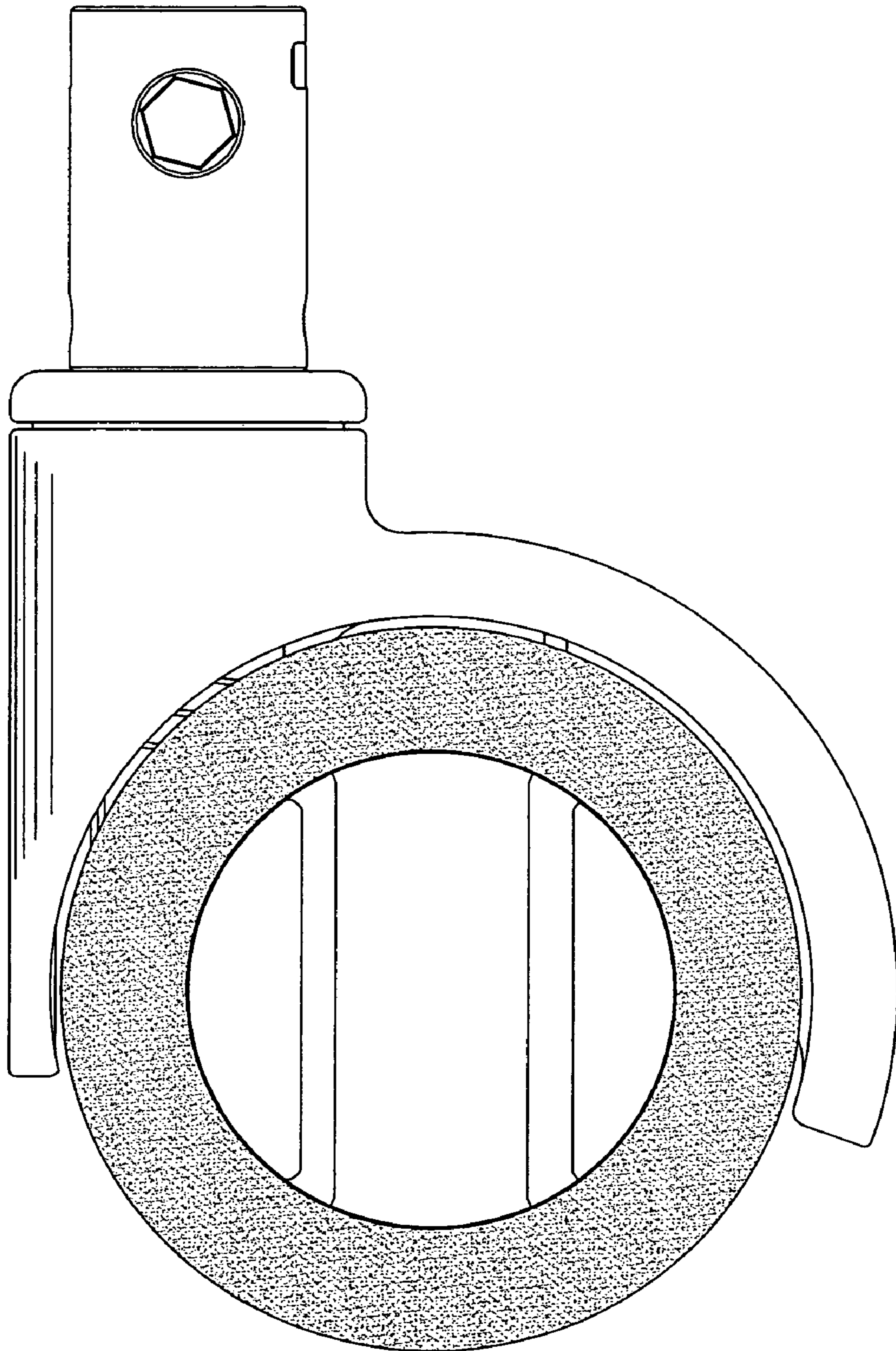


FIG. 2

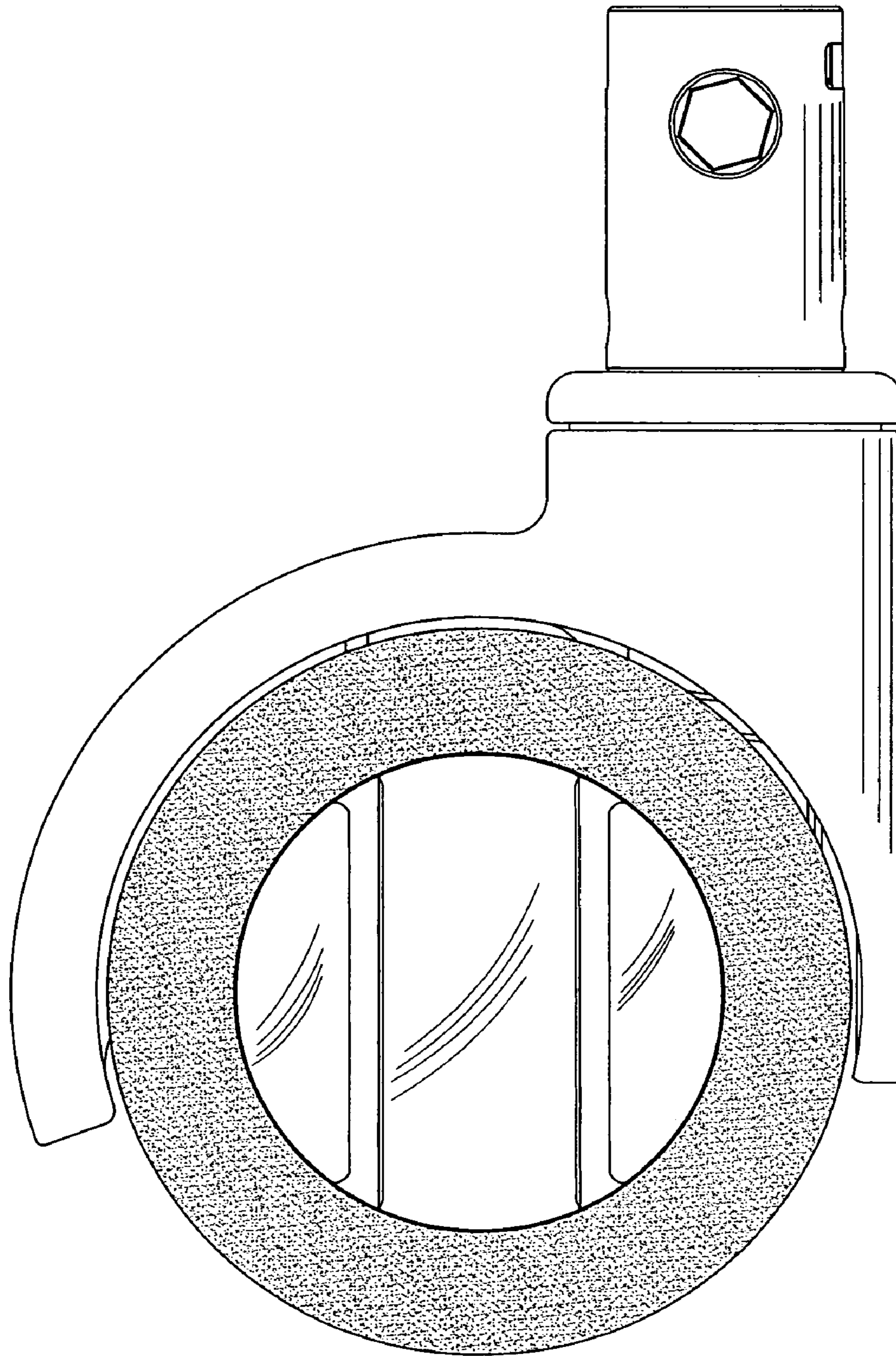


FIG. 3

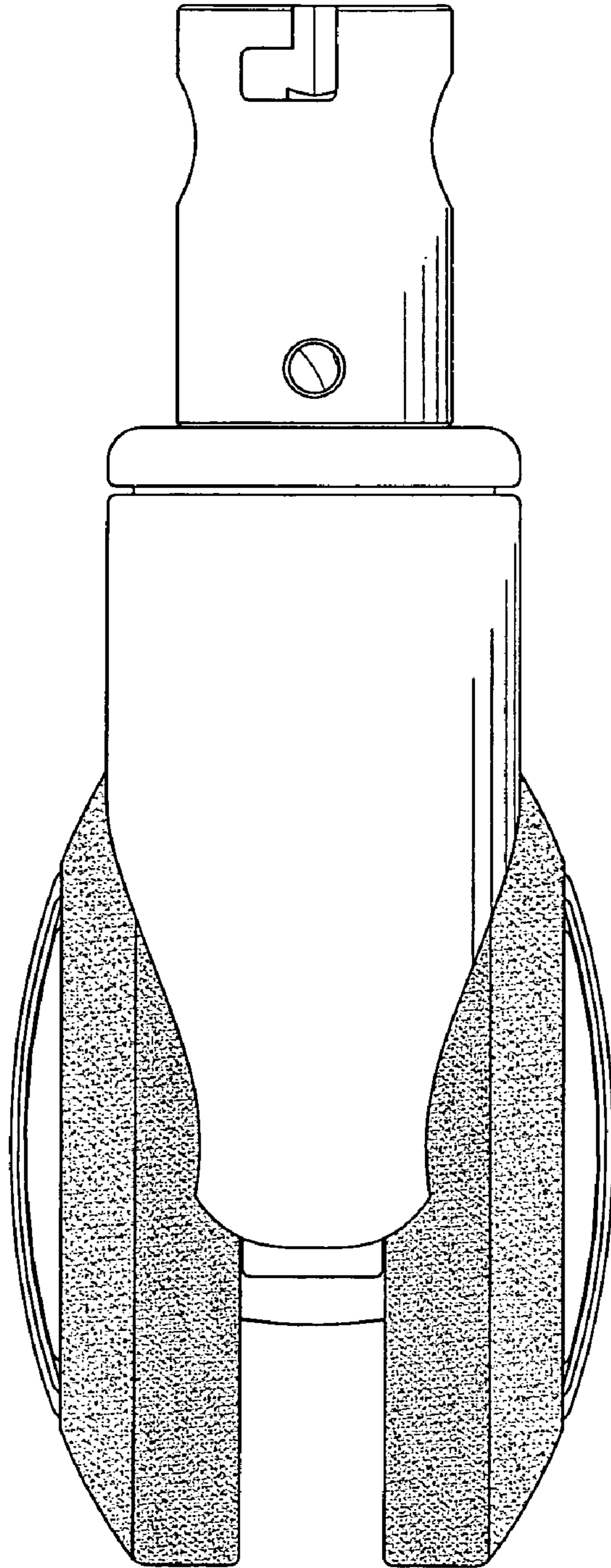


FIG. 4

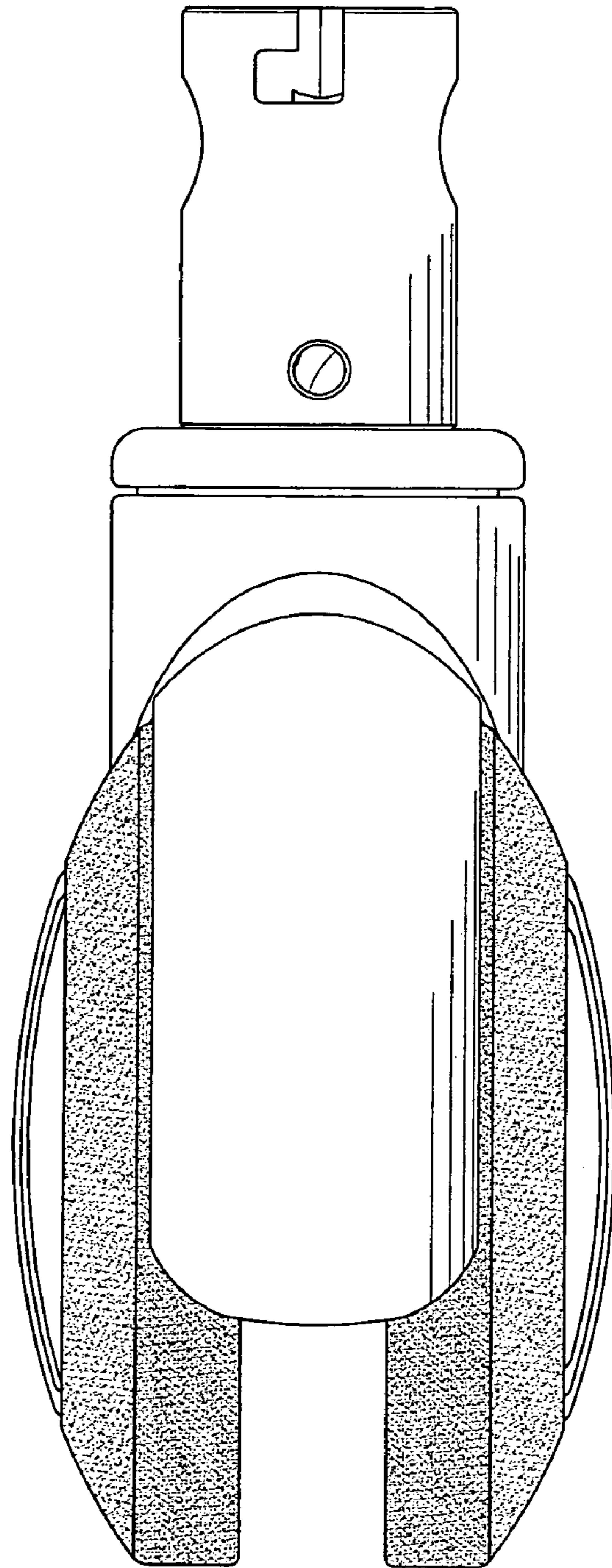


FIG. 5

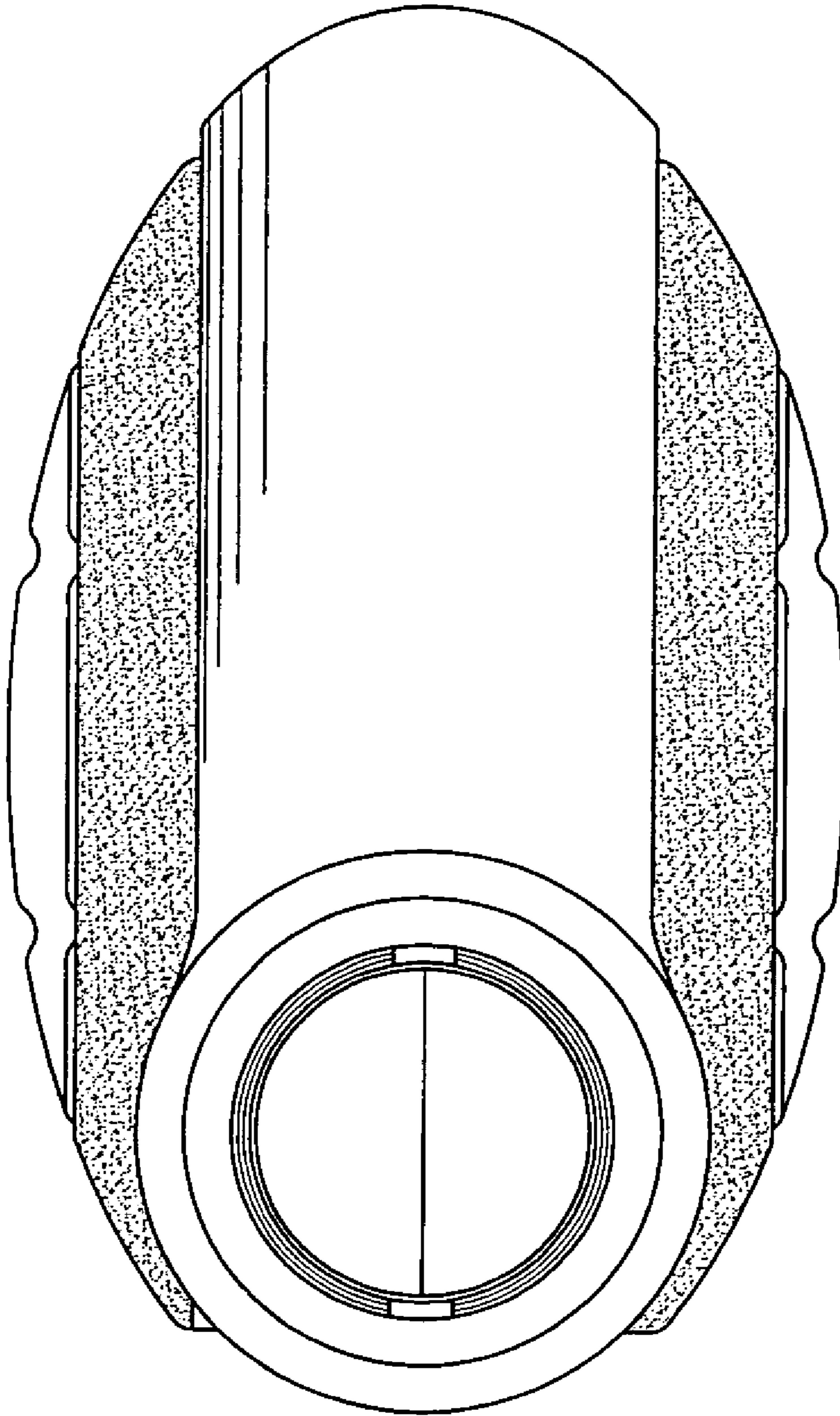


FIG. 6

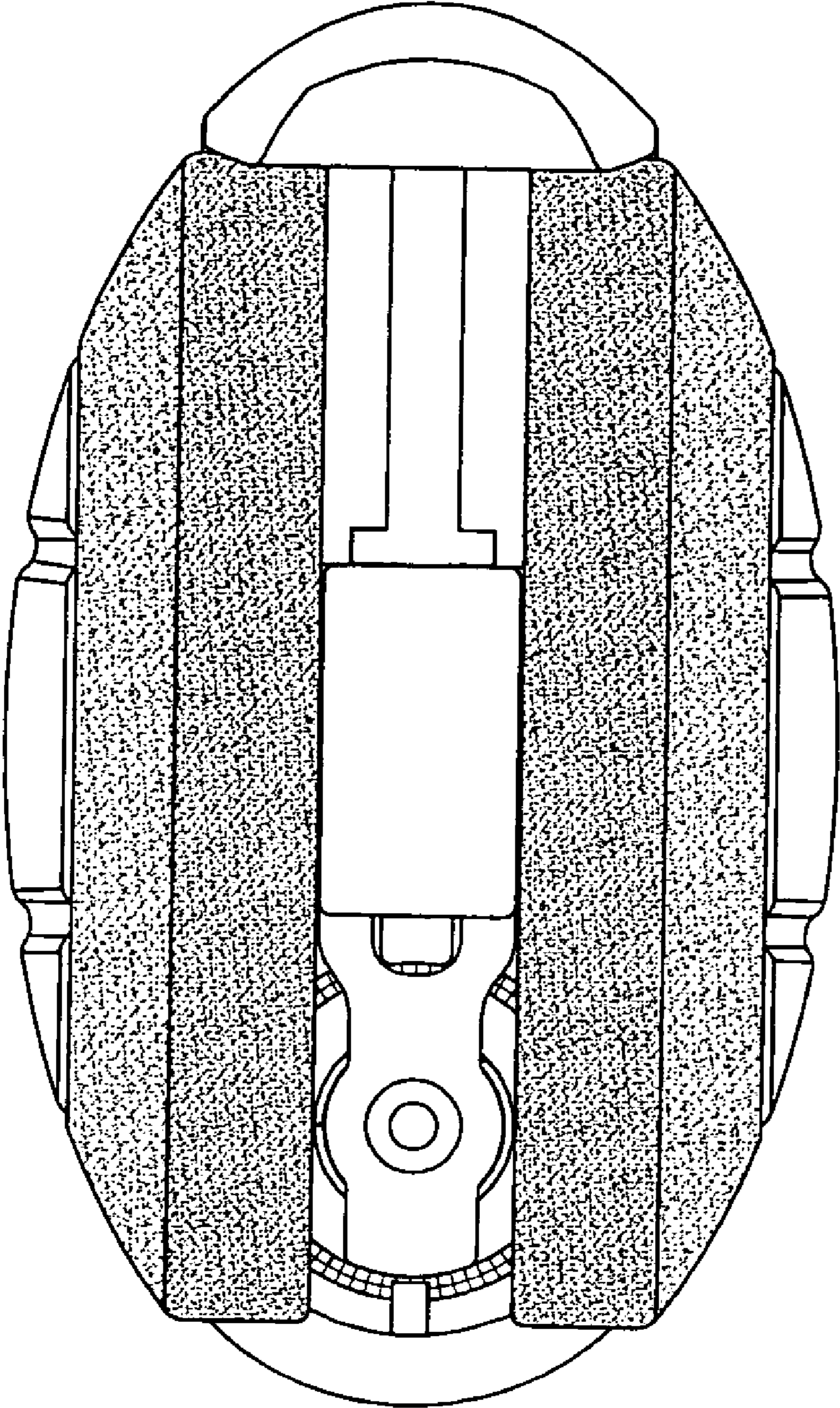


FIG. 7