



US00D573450S

(12) **United States Design Patent**
Cowie et al.

(10) **Patent No.:** **US D573,450 S**
(45) **Date of Patent:** **** Jul. 22, 2008**

(54) **BOLSTER**

(75) Inventors: **Charles Henry Cowie**, Jonesboro, AR (US); **Richard A. Samsel**, Haines City, FL (US)

(73) Assignee: **Delta Consolidated Industries**, Jonesboro, AR (US)

(**) Term: **14 Years**

(21) Appl. No.: **29/268,624**

(22) Filed: **Nov. 9, 2006**

(51) **LOC (8) Cl.** **08-05**

(52) **U.S. Cl.** **D8/374**

(58) **Field of Classification Search** D8/349, D8/354, 374; 248/346.01, 346.02
See application file for complete search history.

(56) **References Cited**

U.S. PATENT DOCUMENTS

2,455,197	A *	11/1948	Sullivan	108/52.1
2,928,638	A *	3/1960	Brooks	D34/38
D315,819	S *	3/1991	Dinsmoor et al.	D34/38
5,291,836	A *	3/1994	Beamer	108/57.17
5,425,521	A *	6/1995	Locke	248/346.02
6,142,440	A *	11/2000	Gratz et al.	248/346.01
D529,747	S *	10/2006	Gilchrest et al.	D6/606

* cited by examiner

Primary Examiner—Holly H Baynham

(74) *Attorney, Agent, or Firm*—Myers Bigel Sibley & Sajovec

(57) **CLAIM**

The ornamental design for a bolster, as shown and described.

DESCRIPTION

FIG. 1 is a side perspective view of a bolster in an exemplary use environment on a container (not claimed) showing our design,

FIG. 2 is side perspective view of the bolster of FIG. 1 shown without the container;

FIG. 3 is a top view thereof;

FIG. 4 is side view thereof;

FIG. 5 is an opposing side view thereof;

FIG. 6 is a bottom view thereof;

FIG. 7 is a front view thereof;

FIG. 8 is an opposing rear view thereof;

FIG. 9 is a side perspective view of another embodiment of a bolster in an exemplary use environment on a container (not claimed);

FIG. 10 is side perspective view of the bolster of FIG. 9 shown without the container;

FIG. 11 is a top view thereof;

FIG. 12 is side view thereof;

FIG. 13 is an opposing side view thereof;

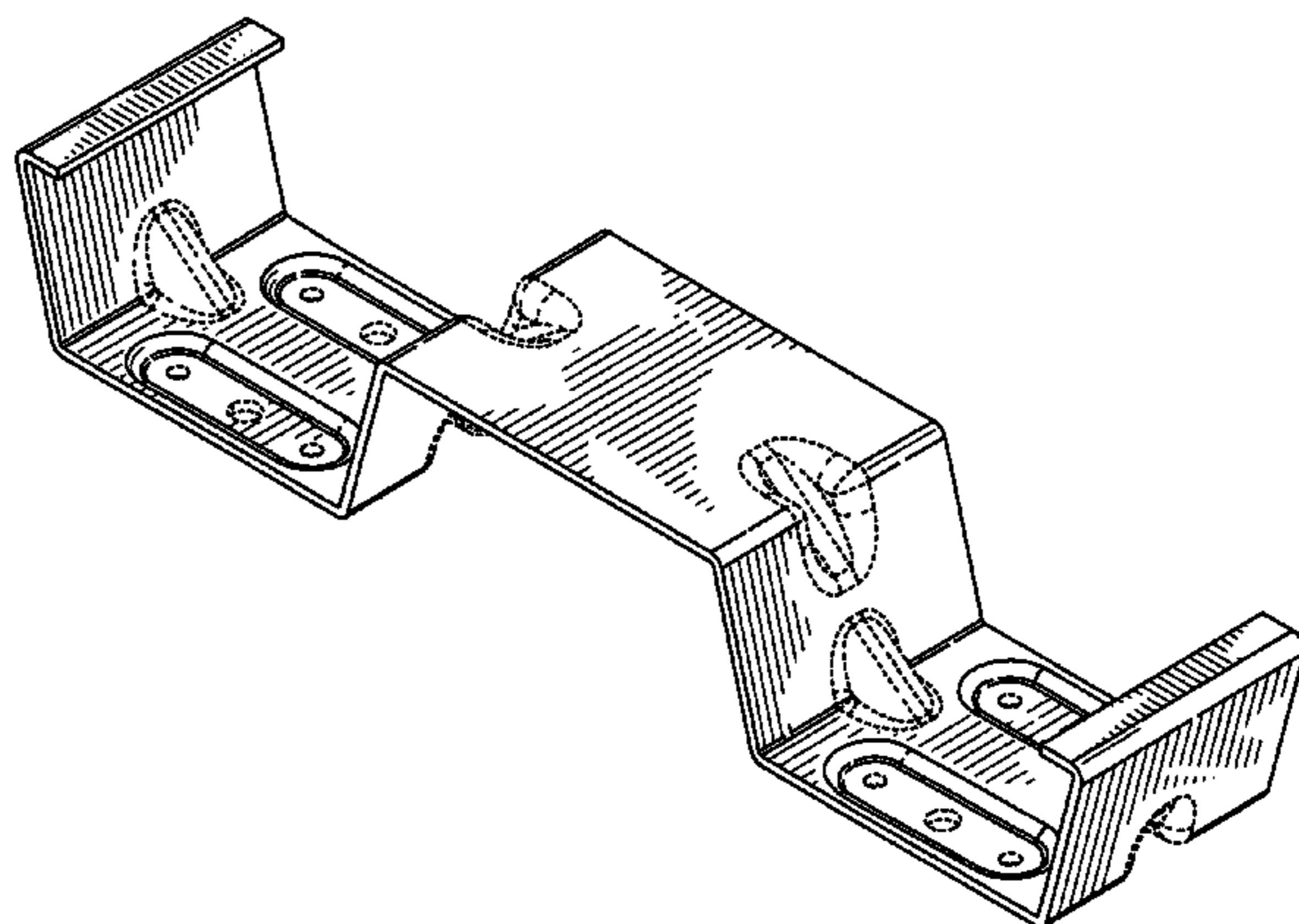
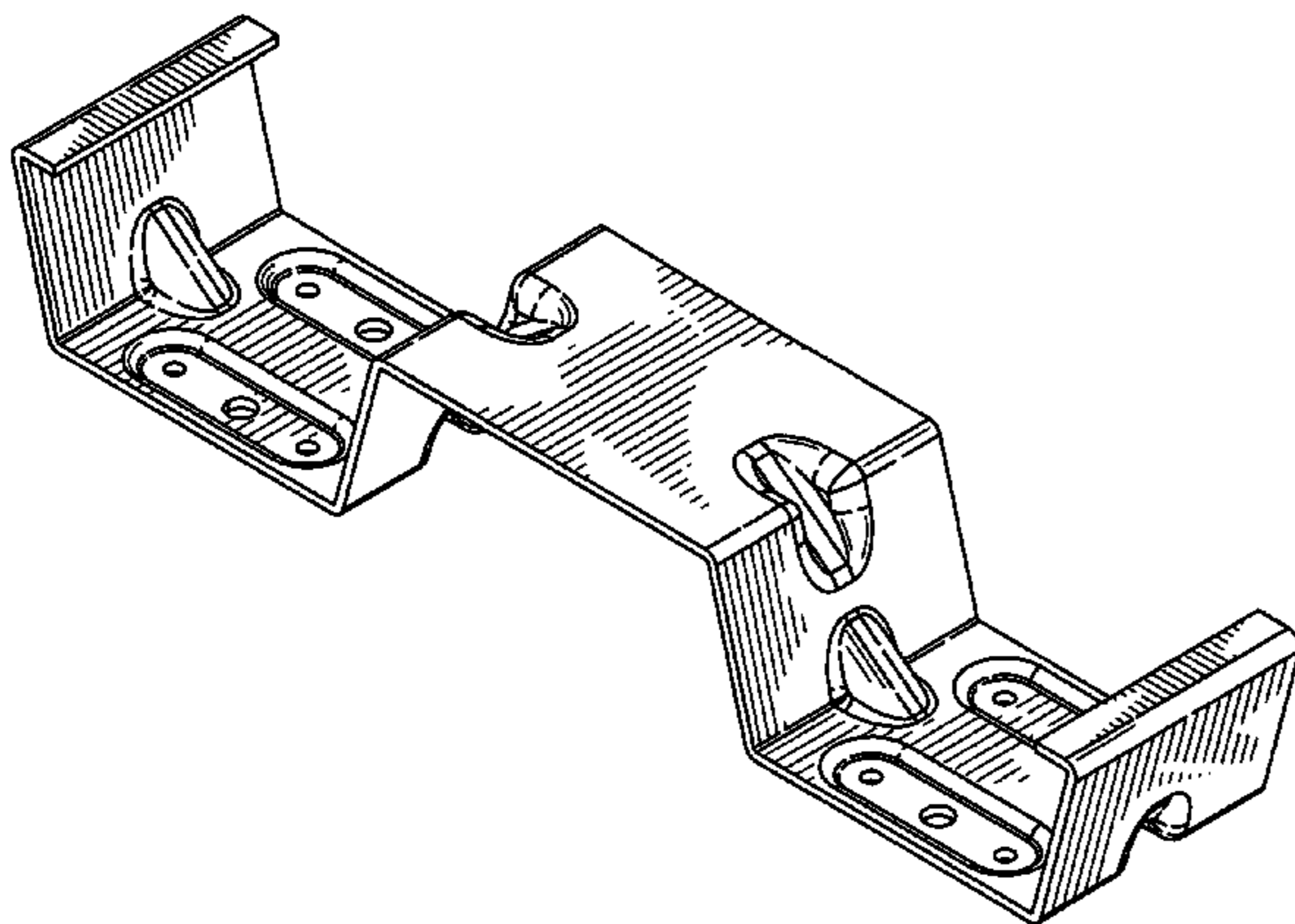
FIG. 14 is a bottom view thereof;

FIG. 15 is a front view thereof; and,

FIG. 16 is an opposing rear view thereof.

The broken lines shown herein are for illustrative purposes only and form no part of the claimed design. The illustrated device is not limited to the scale shown.

1 Claim, 10 Drawing Sheets



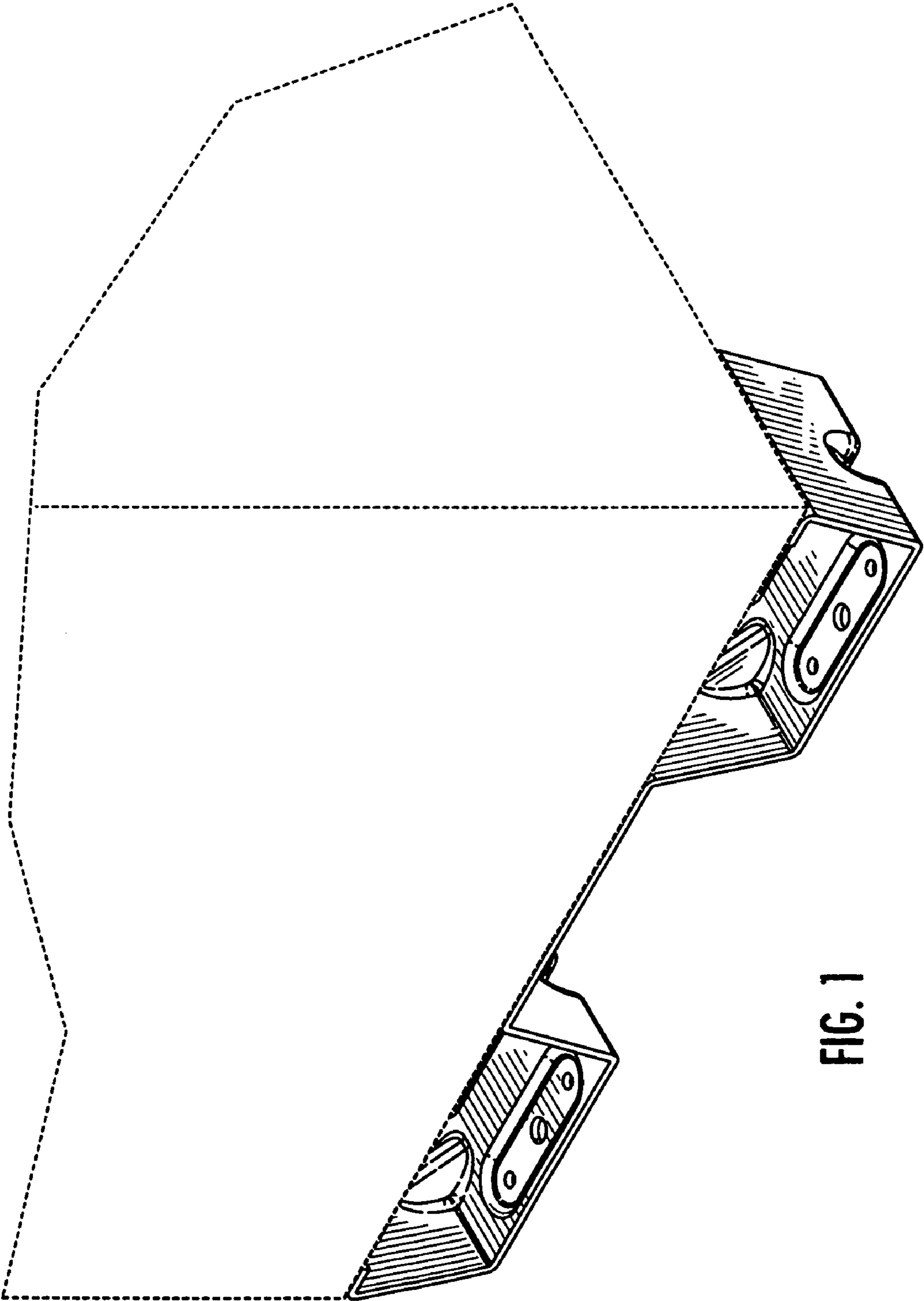


FIG. 1

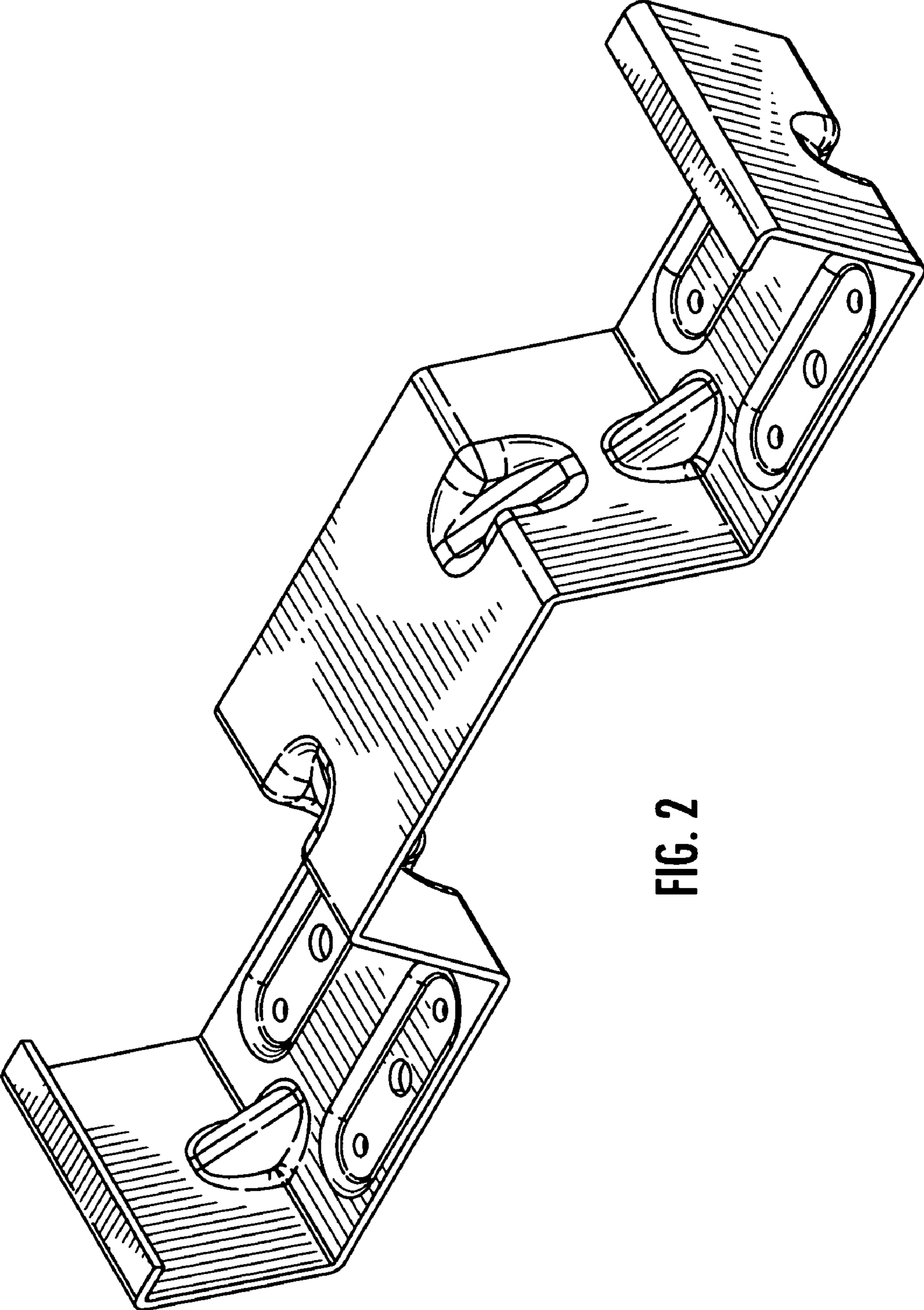


FIG. 2

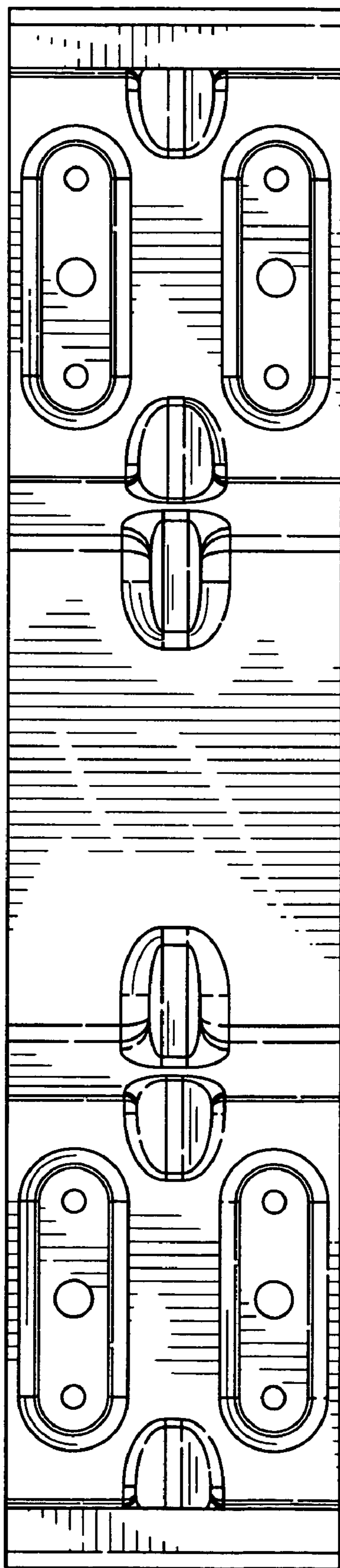


FIG. 3

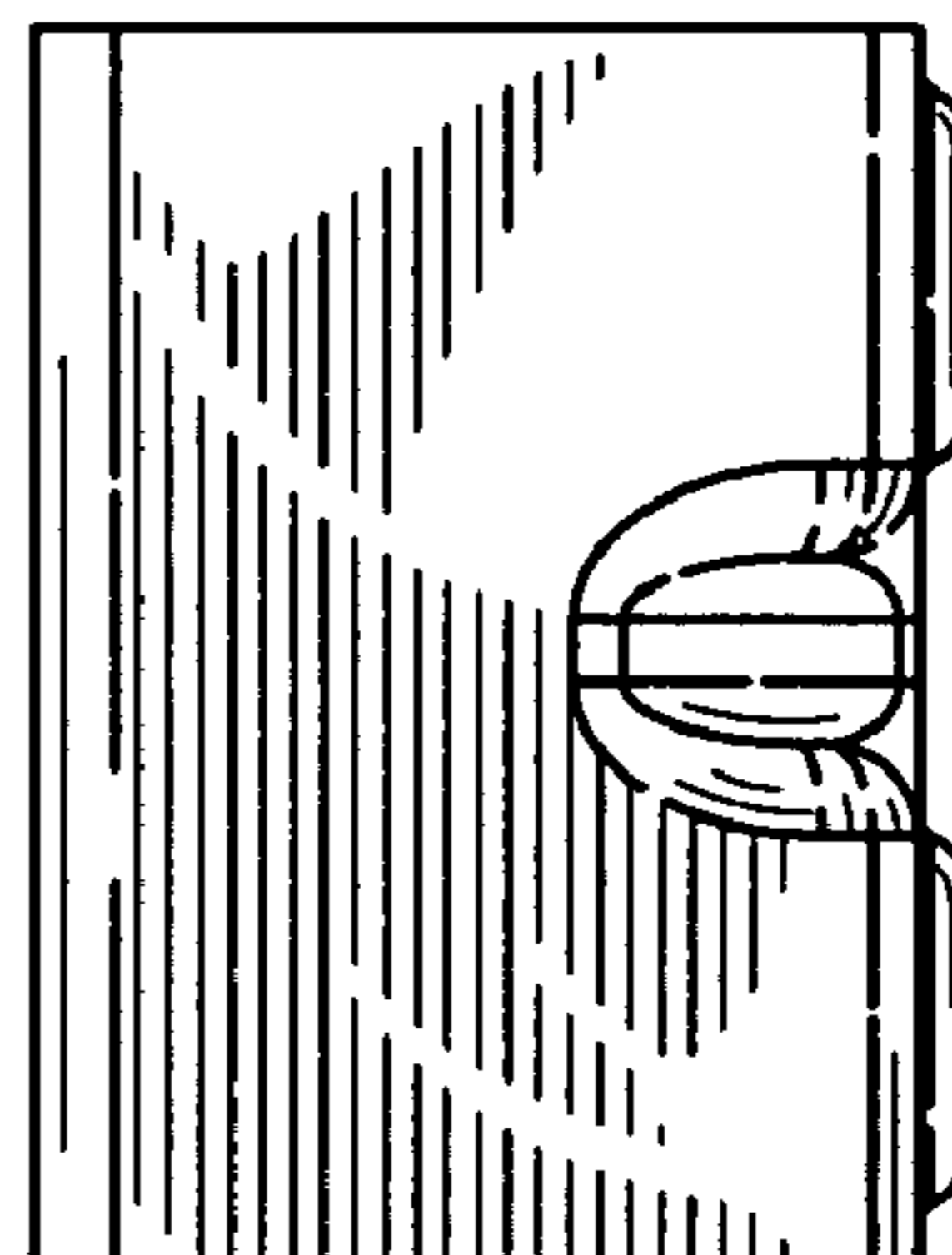


FIG. 5

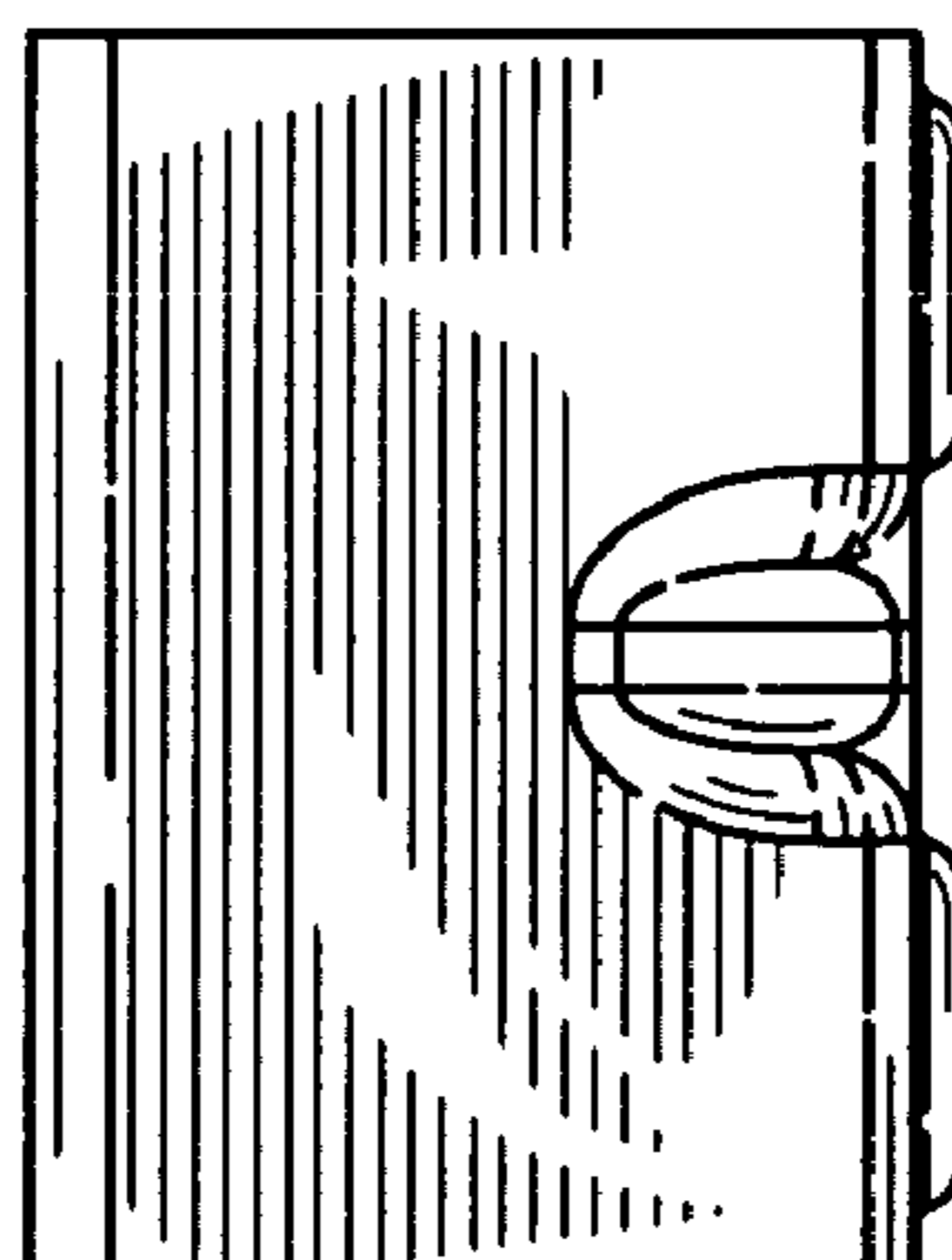


FIG. 4

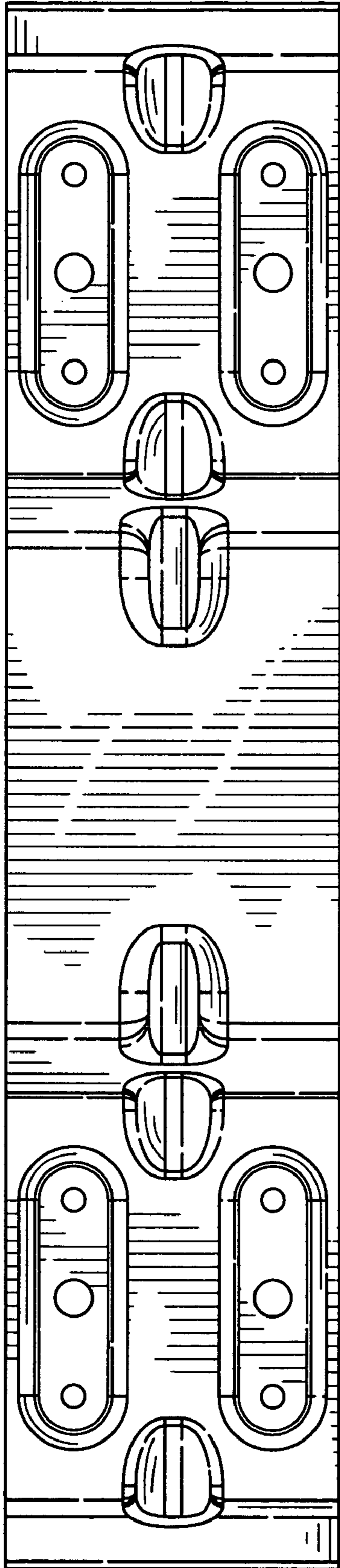


FIG. 6

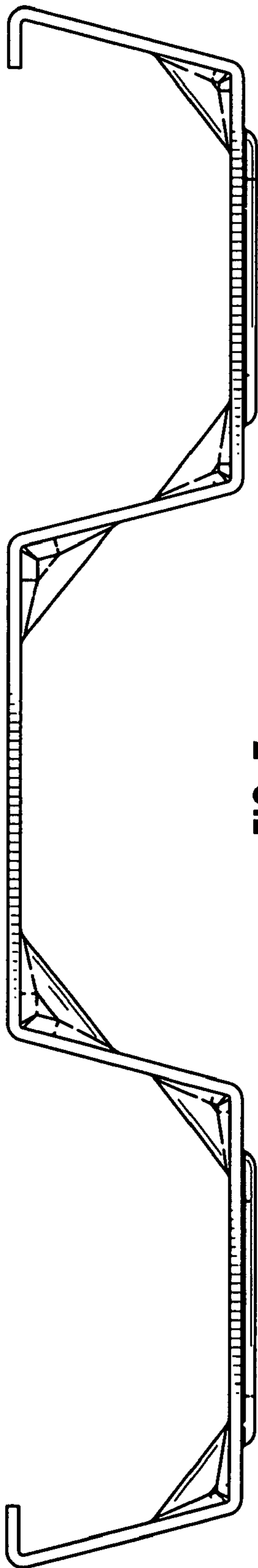


FIG. 7

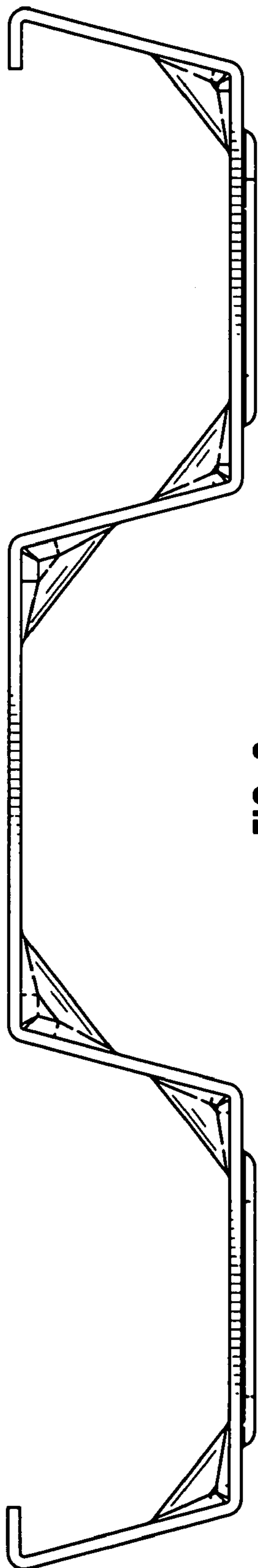


FIG. 8

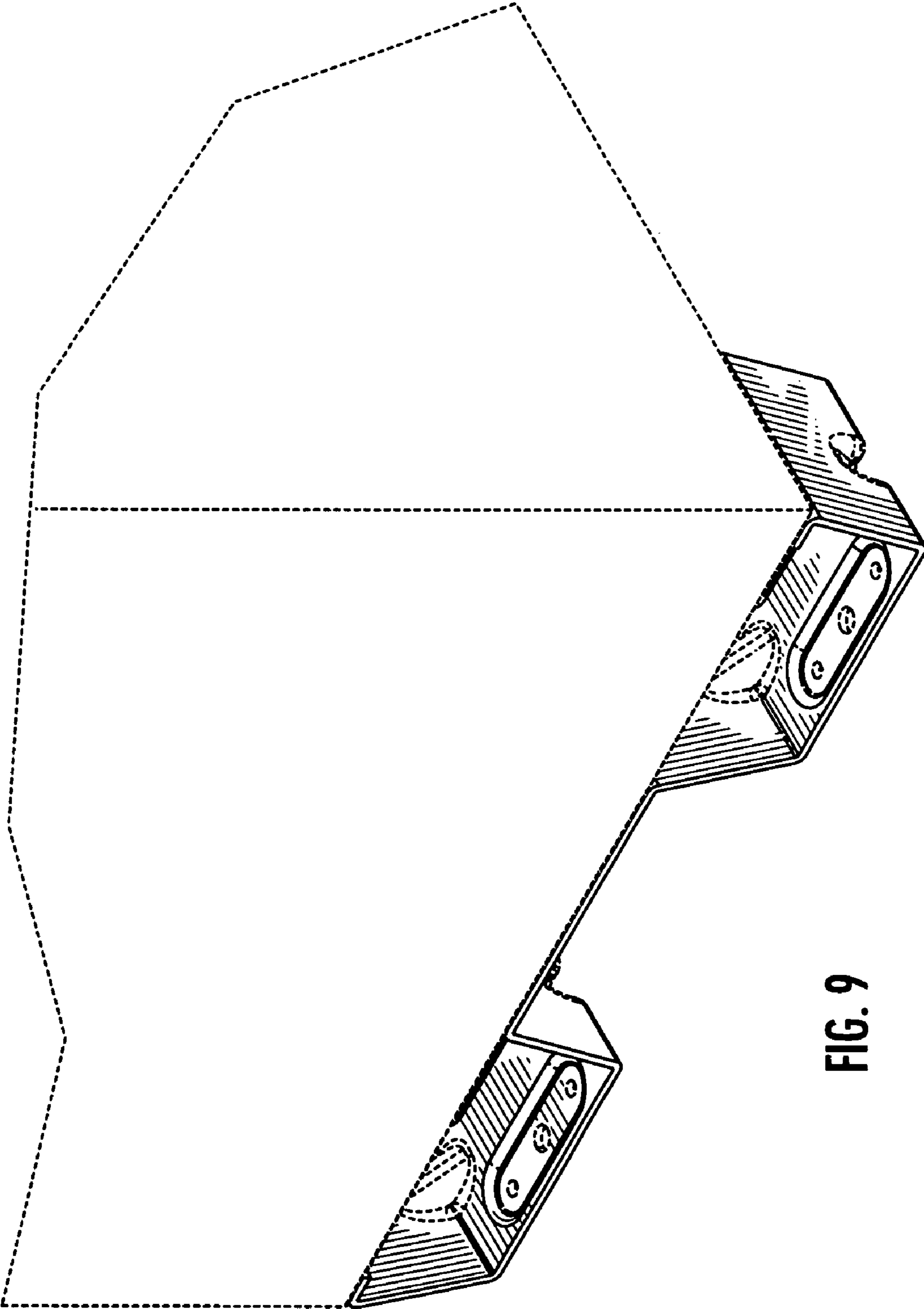


FIG. 9

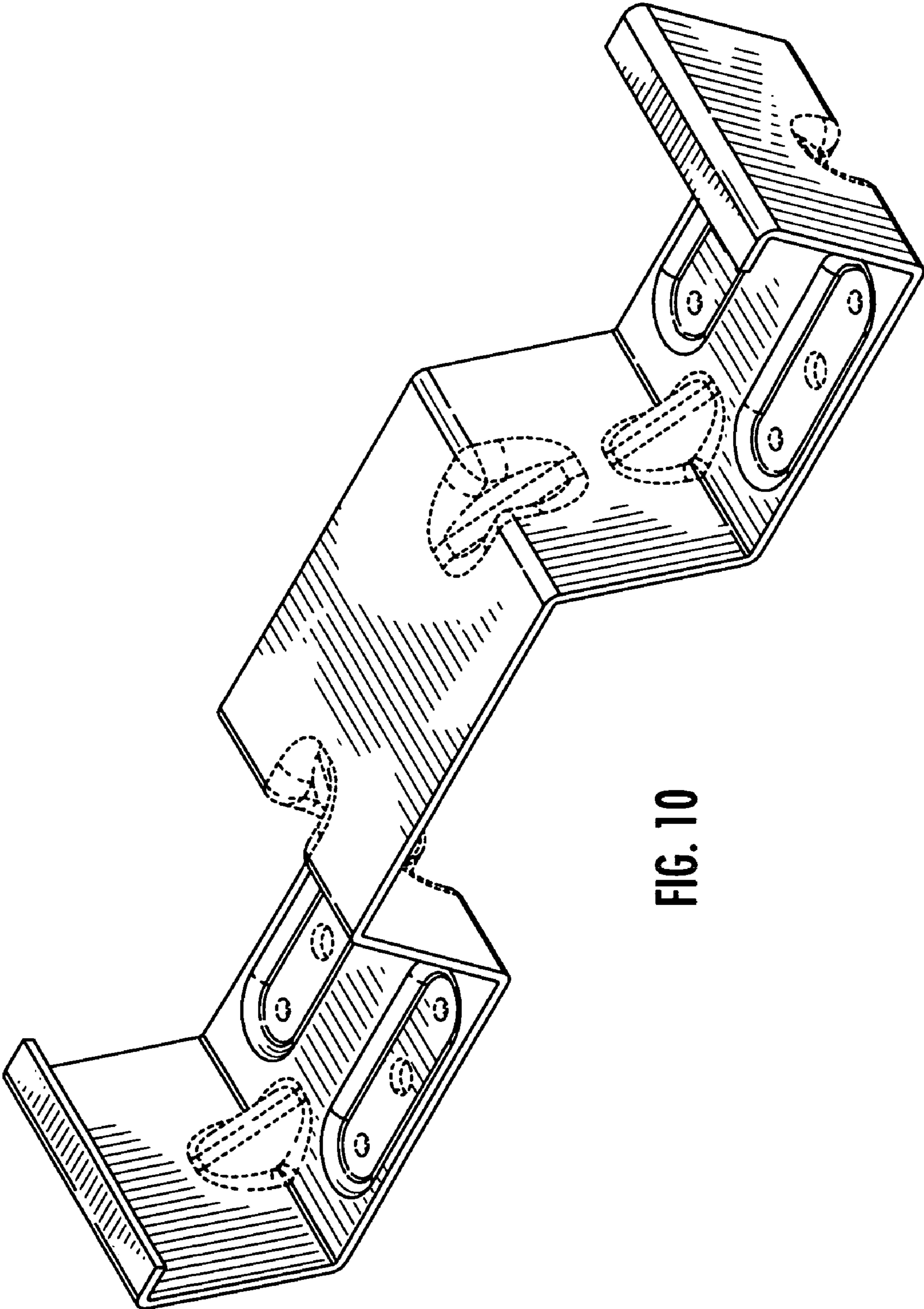


FIG. 10

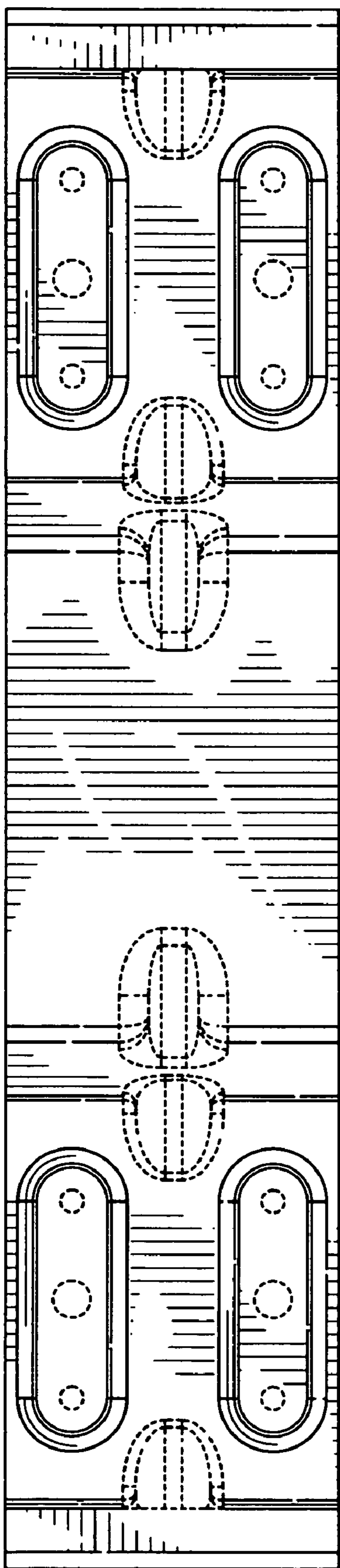


FIG. 11

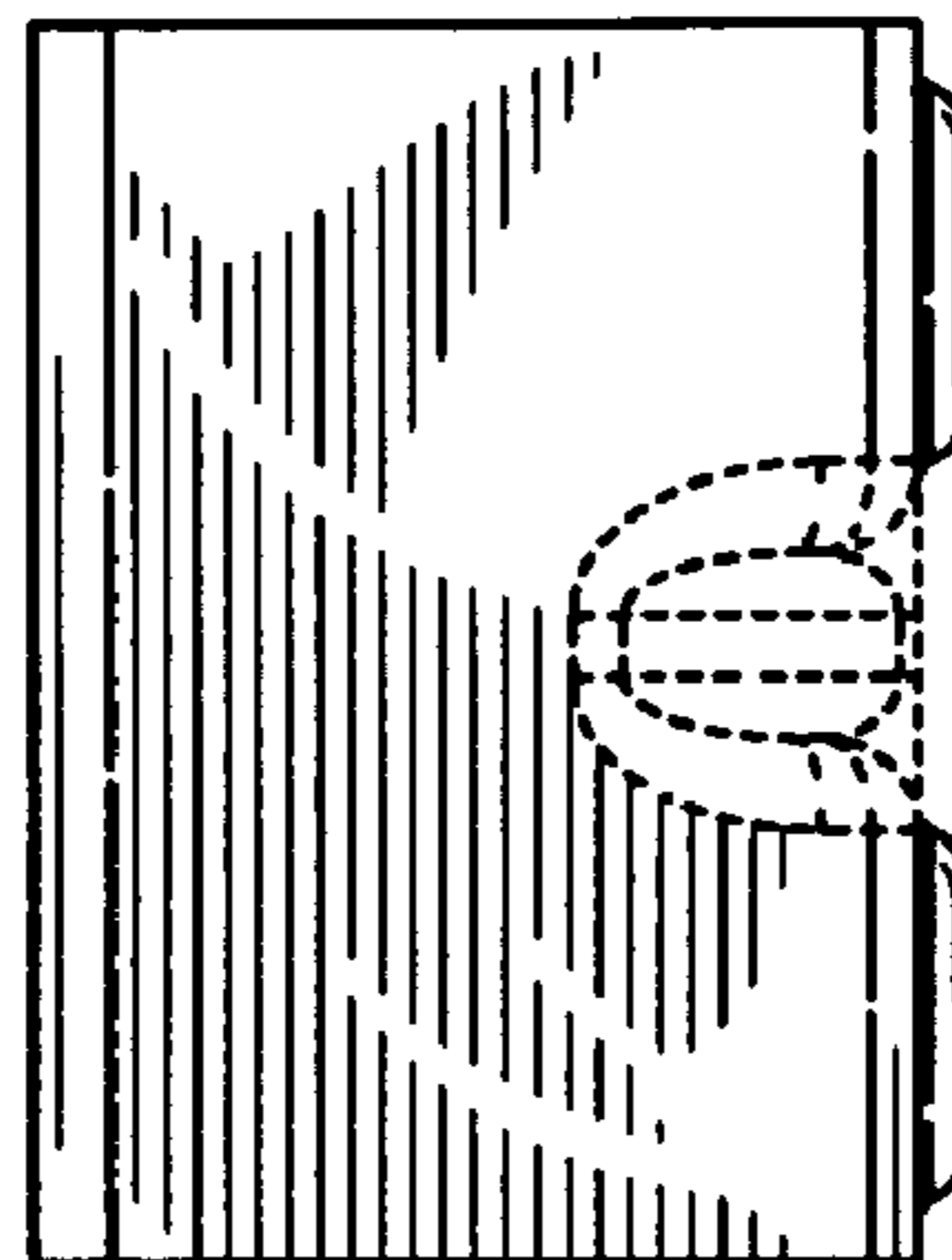


FIG. 13

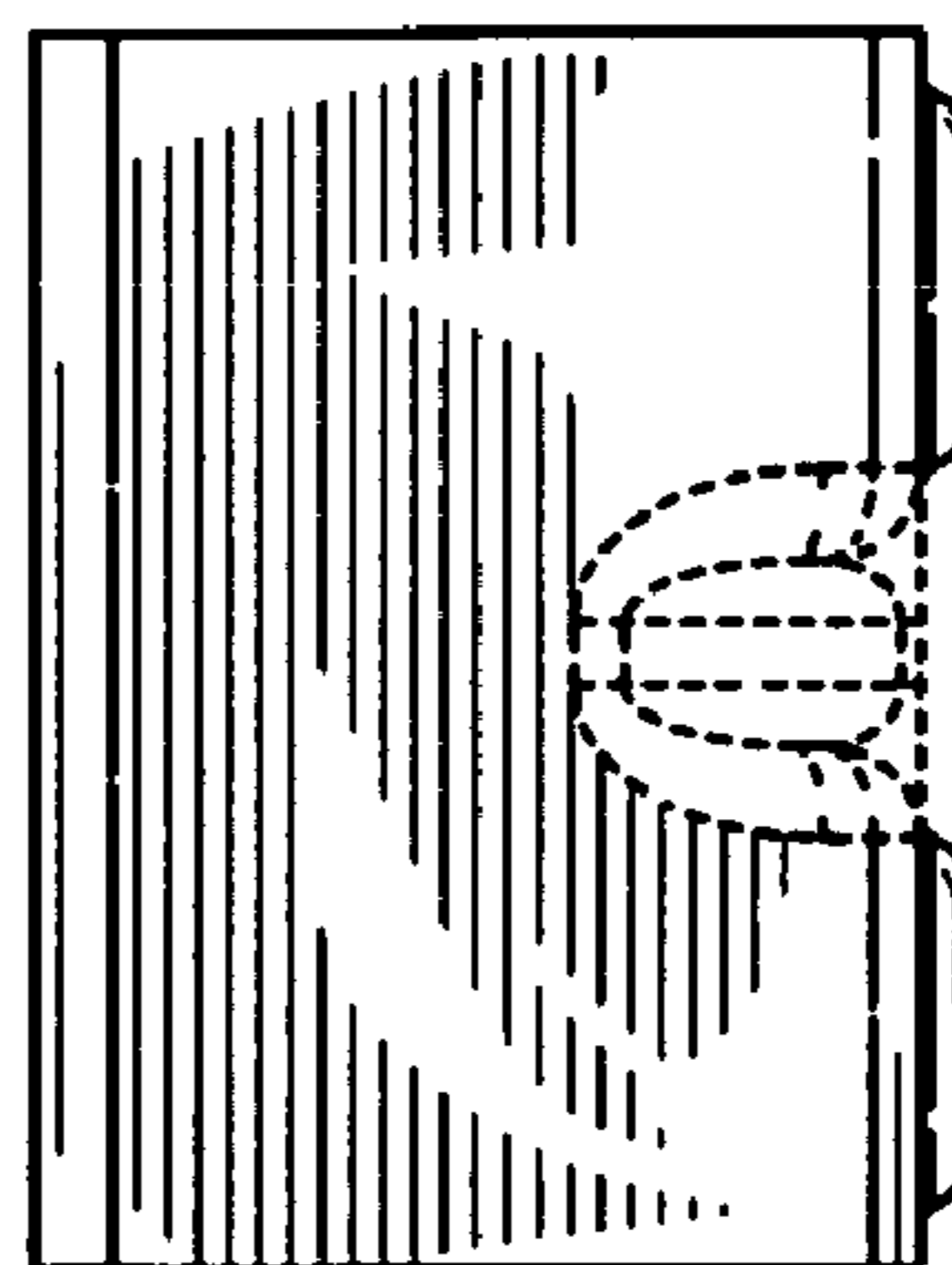


FIG. 12

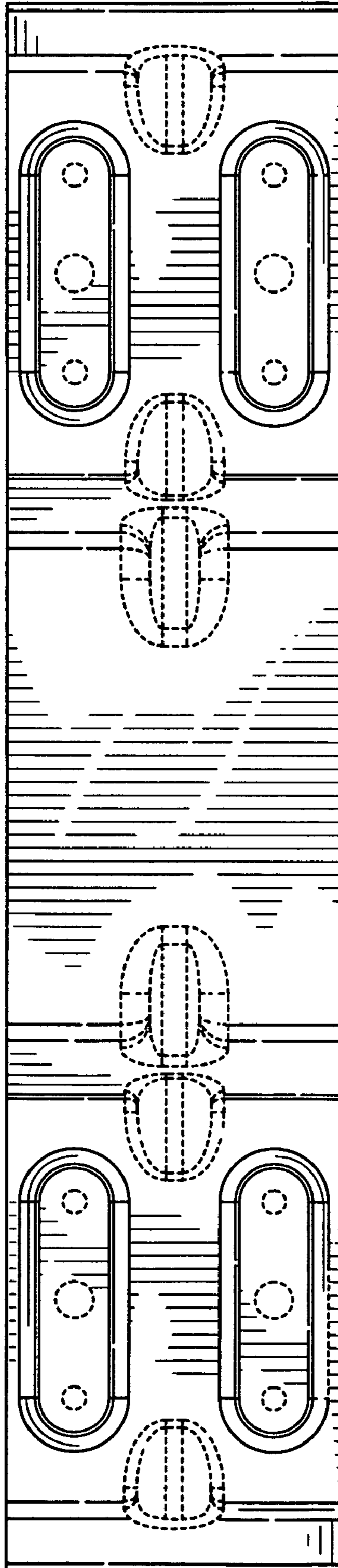


FIG. 14

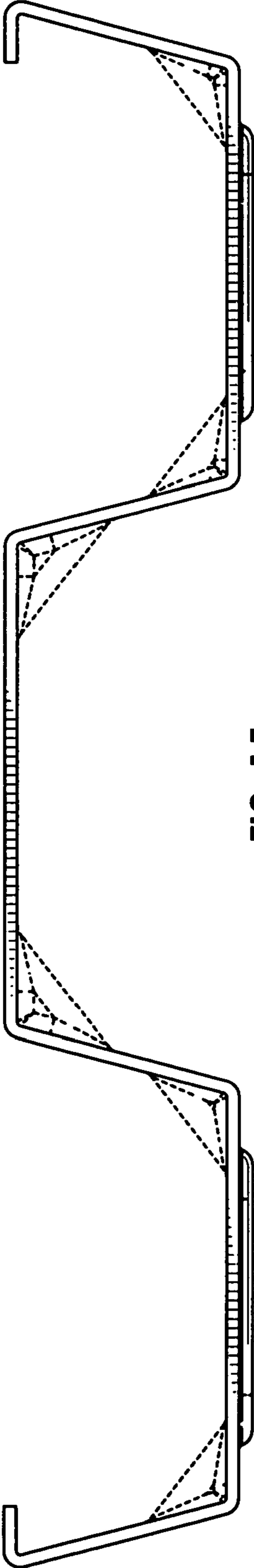


FIG. 15

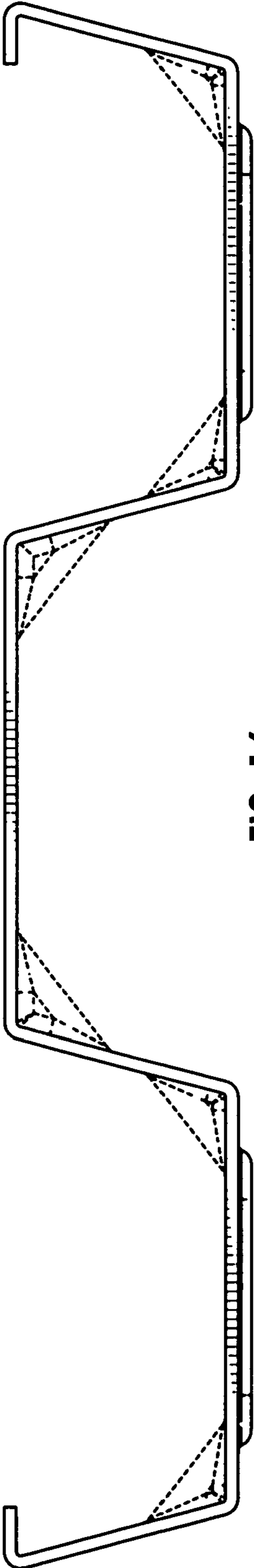


FIG. 16