



US00D573448S

(12) **United States Design Patent**
Young, IV

(10) **Patent No.:** **US D573,448 S**
(45) **Date of Patent:** **** Jul. 22, 2008**

(54) **CABLE MANAGEMENT APPARATUS**
(75) Inventor: **James A. Young, IV**, Everett, WA (US)
(73) Assignee: **Slam Brands, Inc.**, Redmond, WA (US)
(**) Term: **14 Years**
(21) Appl. No.: **29/296,333**
(22) Filed: **Oct. 18, 2007**

D486,791 S * 2/2004 Franks, Jr. D13/133
D487,867 S * 3/2004 Balaban D8/354
D507,959 S * 8/2005 Mottini D8/354
D512,376 S * 12/2005 Franks, Jr. D13/133
D521,855 S * 5/2006 Taylor et al. D8/394
D522,350 S * 6/2006 Taylor et al. D8/394
D536,957 S * 2/2007 Reiff D8/394
D556,015 S * 11/2007 Muchnik D8/354
D557,115 S * 12/2007 Zakowski D8/354
D558,041 S * 12/2007 Skinner D8/382
D561,563 S * 2/2008 Hoffner D8/354

(51) **LOC (8) Cl.** **08-08**
(52) **U.S. Cl.** **D8/356**
(58) **Field of Classification Search** D8/105,
D8/107, 333, 349, 354, 356, 358, 360, 360.1,
D8/367, 373, 382, 383, 394-396, 400; D23/261;
D26/38; 24/18, 197, 561; 174/153 G, 650,
174/656, 135; 242/400.1, 405.1, 405.2, 600,
242/603, 604, 604.1, 607, 608, 608.6, 608.7,
242/609, 916; 248/65, 74.1-74.4, 201, 214,
248/215, 229.26, 302, 304, 316.7, 316.8;
439/367, 369, 371, 472; 211/119; D13/153;
224/268, 269, 666

FOREIGN PATENT DOCUMENTS

BE EC-307145-0002 * 5/2005

* cited by examiner

Primary Examiner—T. Chase Nelson
Assistant Examiner—Karen Acker
(74) *Attorney, Agent, or Firm*—Amin, Turocy & Calvin, LLP;
Thomas E. Watson

(57) **CLAIM**

The ornamental design for a cable management apparatus, as shown and described.

See application file for complete search history.

DESCRIPTION

FIG. 1 is a perspective view of a design for a cable management apparatus;
FIG. 2 is a first side view of the design for the cable management apparatus shown in FIG. 1;
FIG. 3 is a second side view of the design for the cable management apparatus shown in FIG. 1;
FIG. 4 is a front view of the design for the cable management apparatus shown in FIG. 1; and,
FIG. 5 is a back view of the design for the cable management apparatus shown in FIG. 1.

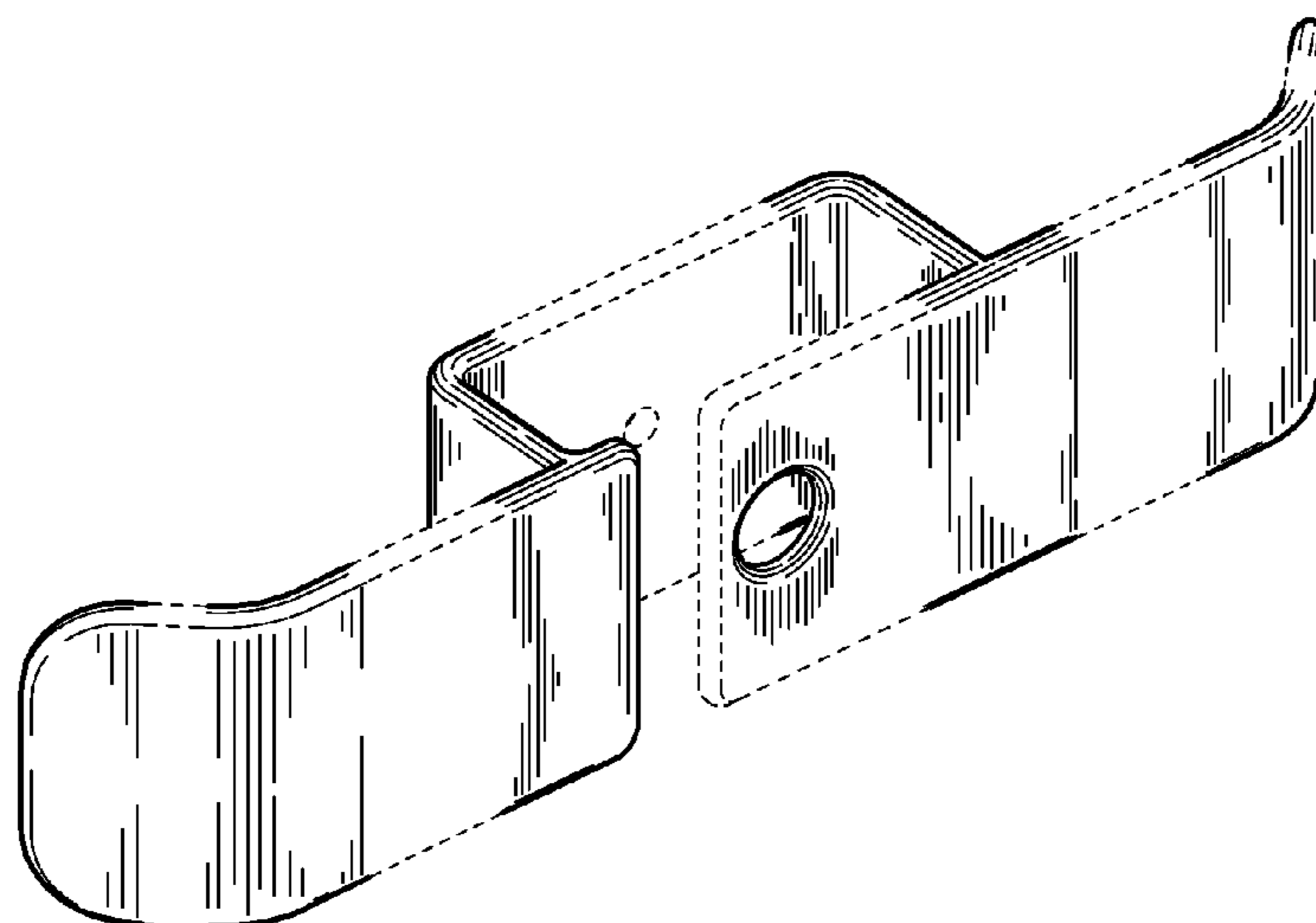
The dashed lines in the drawings which define the bounds of the claimed design form no part thereof.

1 Claim, 1 Drawing Sheet

(56) **References Cited**

U.S. PATENT DOCUMENTS

739,282 A * 9/1903 Bohn 174/504
2,607,553 A * 8/1952 Garrett 248/476
2,807,431 A * 9/1957 McHale 248/113
D240,013 S * 5/1976 McKee D8/354
D259,170 S * 5/1981 Emms D8/382
D263,788 S * 4/1982 McKinnon et al. D8/394
4,335,863 A * 6/1982 Rapps 248/316.7
D285,647 S * 9/1986 Sachs D8/356
D418,738 S * 1/2000 Luttrell-Welti D8/349
D433,308 S * 11/2000 Winston D8/330
6,247,871 B1 * 6/2001 Nickel et al. 403/396
6,427,953 B1 * 8/2002 Dickens 248/68.1
D474,679 S * 5/2003 Malin D8/394
D485,485 S * 1/2004 Loken et al. D8/349



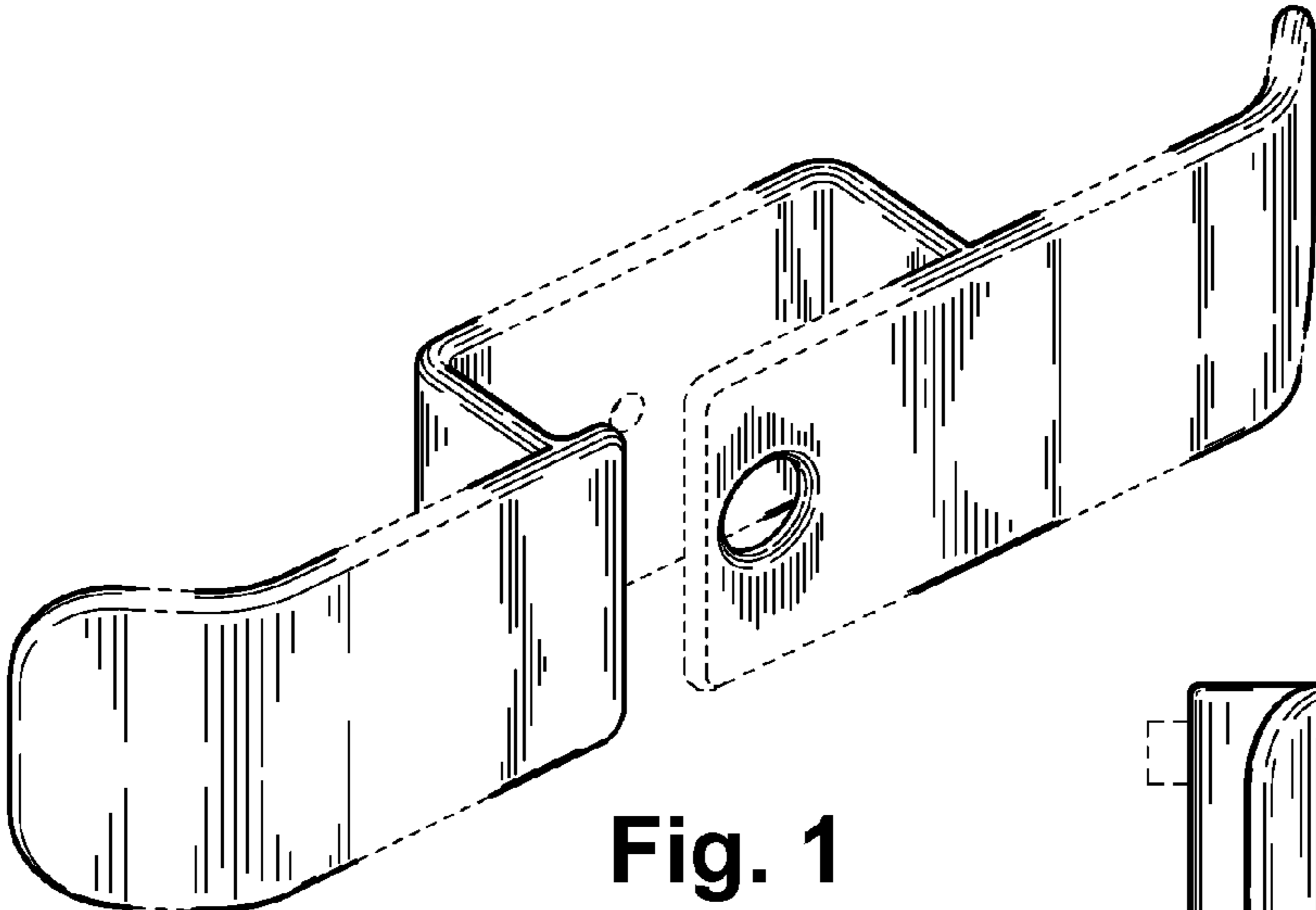


Fig. 1

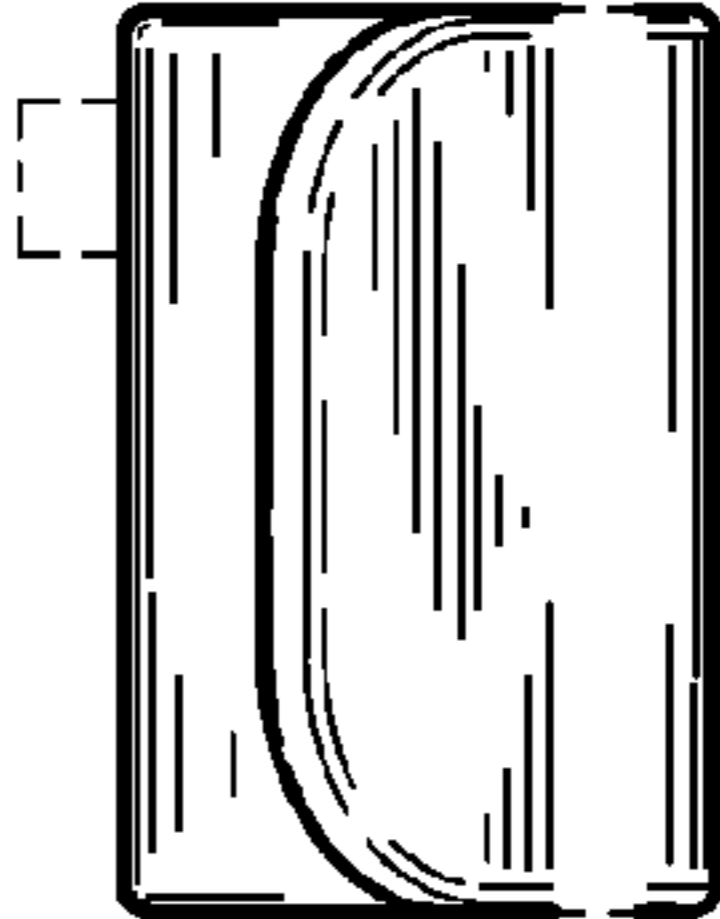


Fig. 2

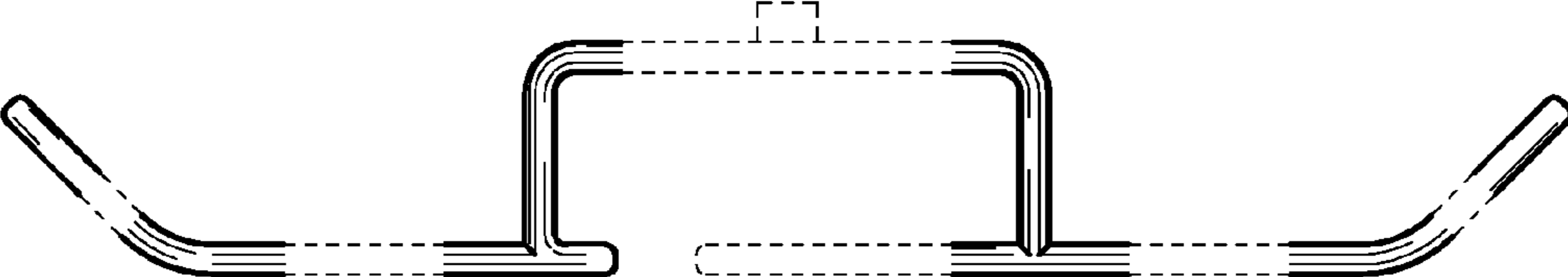


Fig. 3

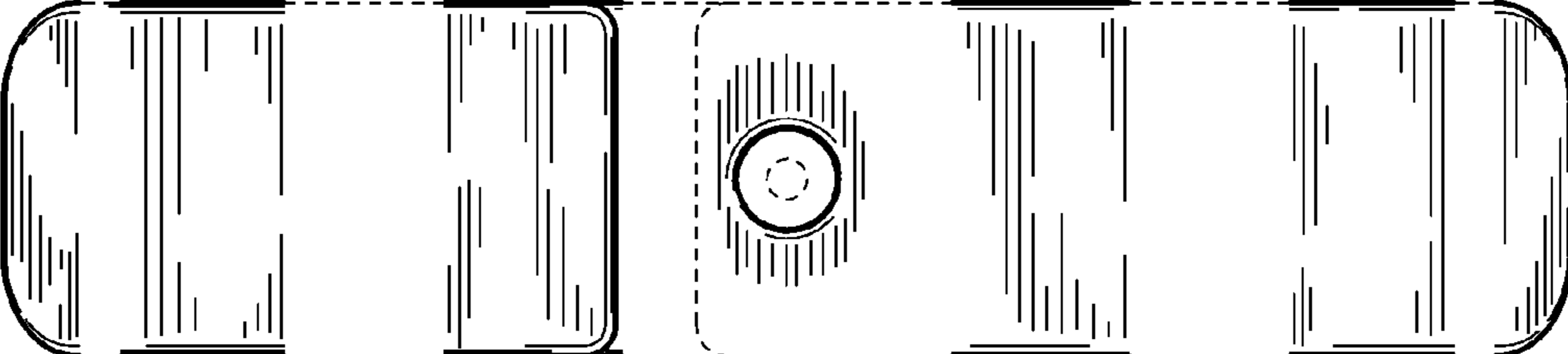


Fig. 4

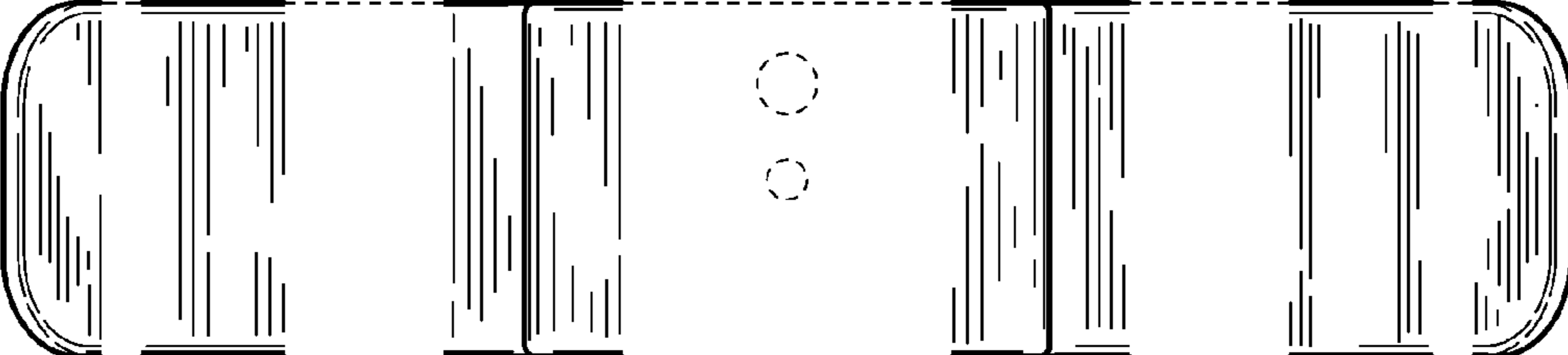


Fig. 5