



US00D573446S

(12) **United States Design Patent**  
**Gast**

(10) **Patent No.:** **US D573,446 S**  
(45) **Date of Patent:** **\*\* Jul. 22, 2008**

- (54) **PADLOCK SHACKLE**
- (75) Inventor: **Robert L. Gast**, Irvine, CA (US)
- (73) Assignee: **Hampton Products International Corporation**, Foothill Ranch, CA (US)
- (\*\*) Term: **14 Years**
- (21) Appl. No.: **29/291,372**
- (22) Filed: **Aug. 24, 2007**
- (51) **LOC (8) Cl.** ..... **08-07**
- (52) **U.S. Cl.** ..... **D8/343**
- (58) **Field of Classification Search** ..... D8/330,  
D8/331, 333, 334, 343, 344, 356, 367, 382,  
D8/383, 499; 70/14, 18, 32, 34, 35, 38 A,  
70/38 B, 38 C, 53, 54, 56  
See application file for complete search history.

- D545,177 S \* 6/2007 Vito ..... D8/343
- D547,162 S \* 7/2007 Heppner ..... D8/343
- D547,635 S \* 7/2007 Vito ..... D8/343
- D548,568 S \* 8/2007 Vito ..... D8/343
- D548,569 S \* 8/2007 Vito ..... D8/343
- D549,076 S \* 8/2007 Vito ..... D8/343
- D549,554 S \* 8/2007 Heppner ..... D8/343

\* cited by examiner

*Primary Examiner*—Stella M. Reid  
*Assistant Examiner*—Shanda C Hill  
(74) *Attorney, Agent, or Firm*—William G. Lane

(57) **CLAIM**

The ornamental design for padlock shackle, as shown and described.

**DESCRIPTION**

FIG. 1 is a top plan view of the first embodiment of a padlock shackle showing my new design;

FIG. 2 is a front view thereof, the back view being a mirror image;

FIG. 3 is a side view thereof, the opposite side view being a mirror image;

FIG. 4 is a cross sectional view taken along line 4—4 of FIG. 2;

FIG. 5 is an enlarged cross sectional view taken along line 5—5 of FIG. 2;

FIG. 6 is a front view of the second embodiment of the padlock shackle, the back view being a mirror image; and,

FIG. 7 is a front view of the third embodiment of the padlock shackle, the back view being a mirror image.

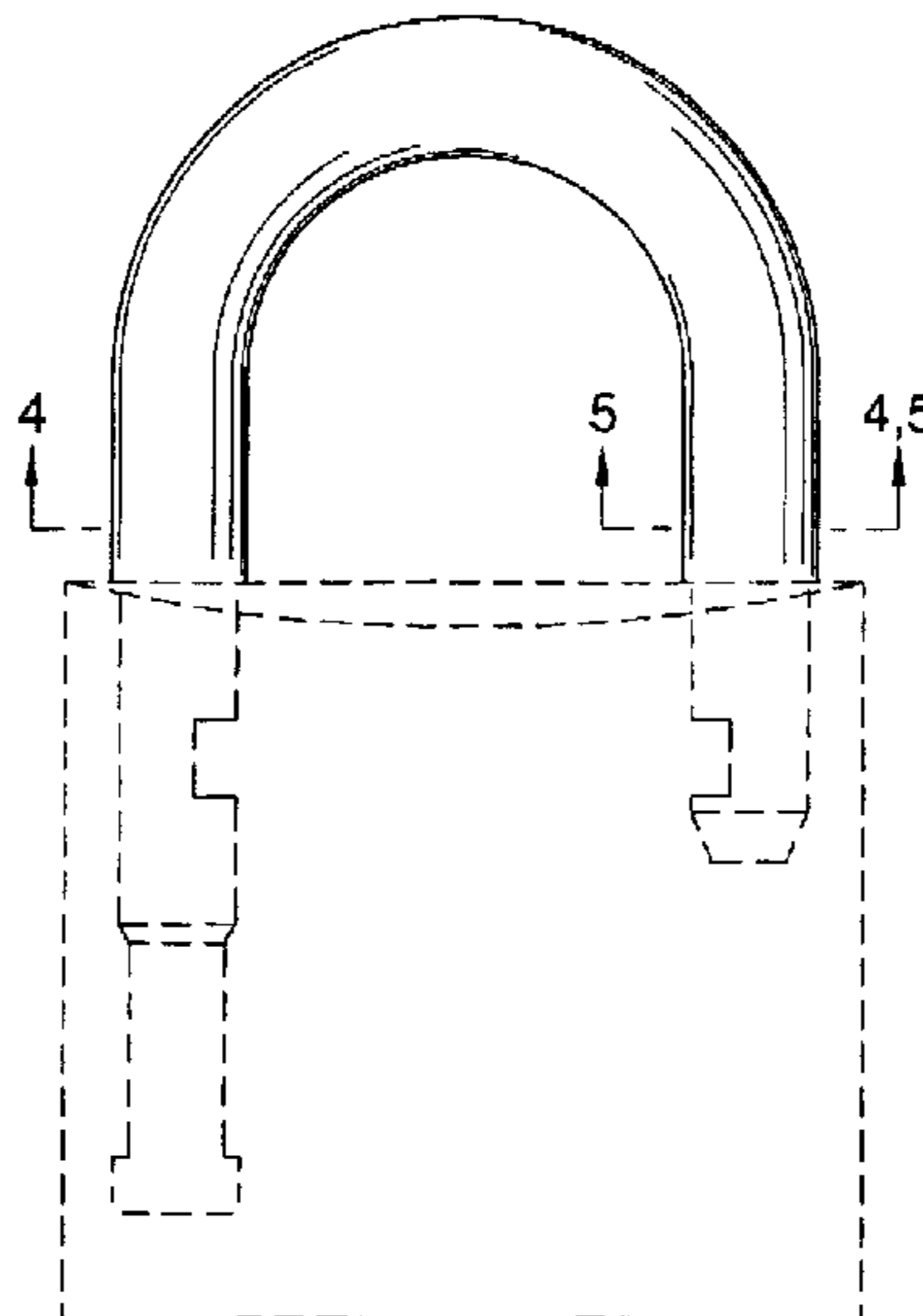
The broken lines shown in the drawing disclosure are for illustrative purposes only and form no part of the claimed design.

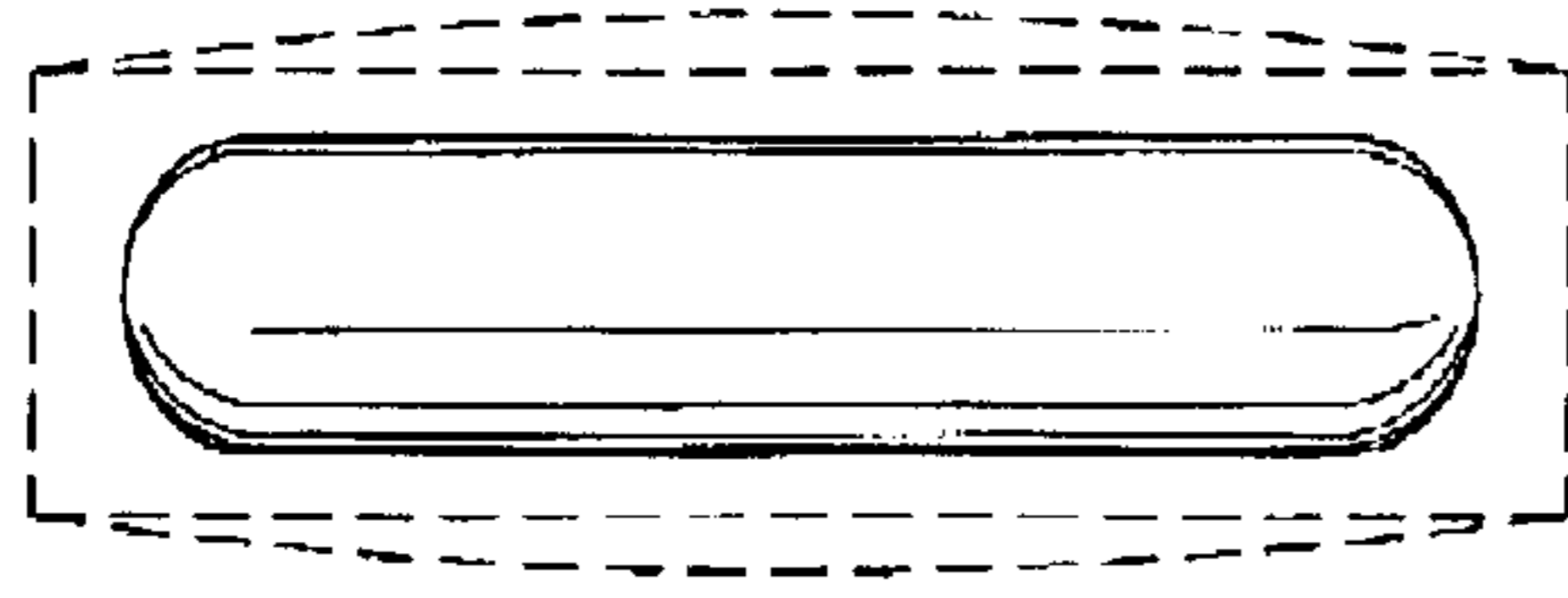
(56) **References Cited**

U.S. PATENT DOCUMENTS

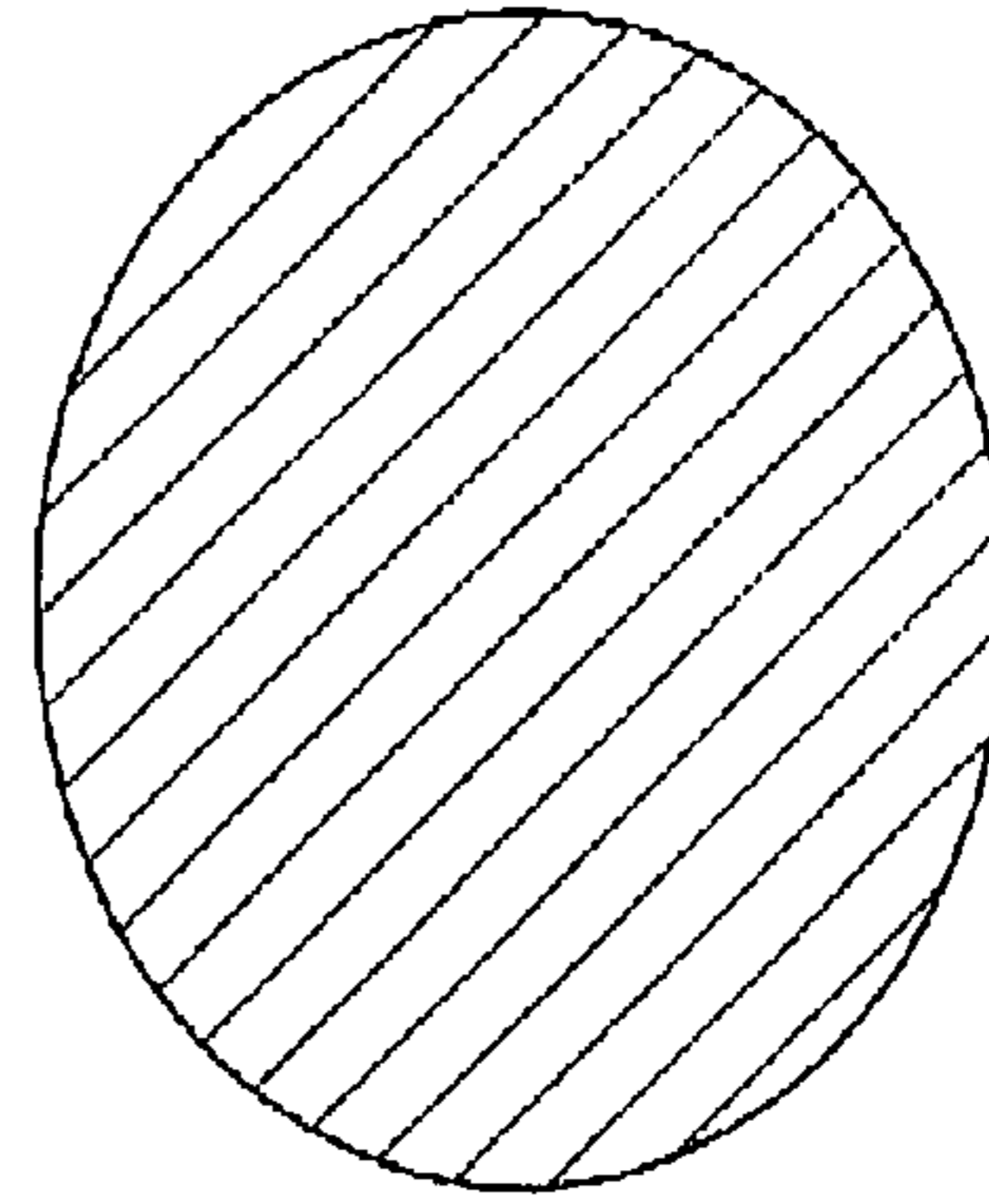
568,701 A	9/1896	Robets	
767,004 A	8/1904	Muchowicz	
1,016,455 A	2/1912	Stone	
1,629,388 A	5/1927	Jackson	
1,777,424 A	10/1930	Atkins	
D484,777 S	1/2004	Ruan	
D491,044 S	6/2004	Vito	
D520,339 S	5/2006	Heppner	
D524,145 S	7/2006	Heppner	
D528,401 S	9/2006	Ruan	
D528,402 S *	9/2006	Ruan	D8/343
D529,368 S *	10/2006	Ruan	D8/343
D529,369 S	10/2006	Ruan	
D529,786 S	10/2006	Heppner	
D533,437 S *	12/2006	Ruan	D8/343
D533,764 S	12/2006	Heppner	
D539,114 S *	3/2007	Vito	D8/343
D541,631 S	5/2007	Heppner	
D545,175 S *	6/2007	Vito	D8/343

**1 Claim, 2 Drawing Sheets**

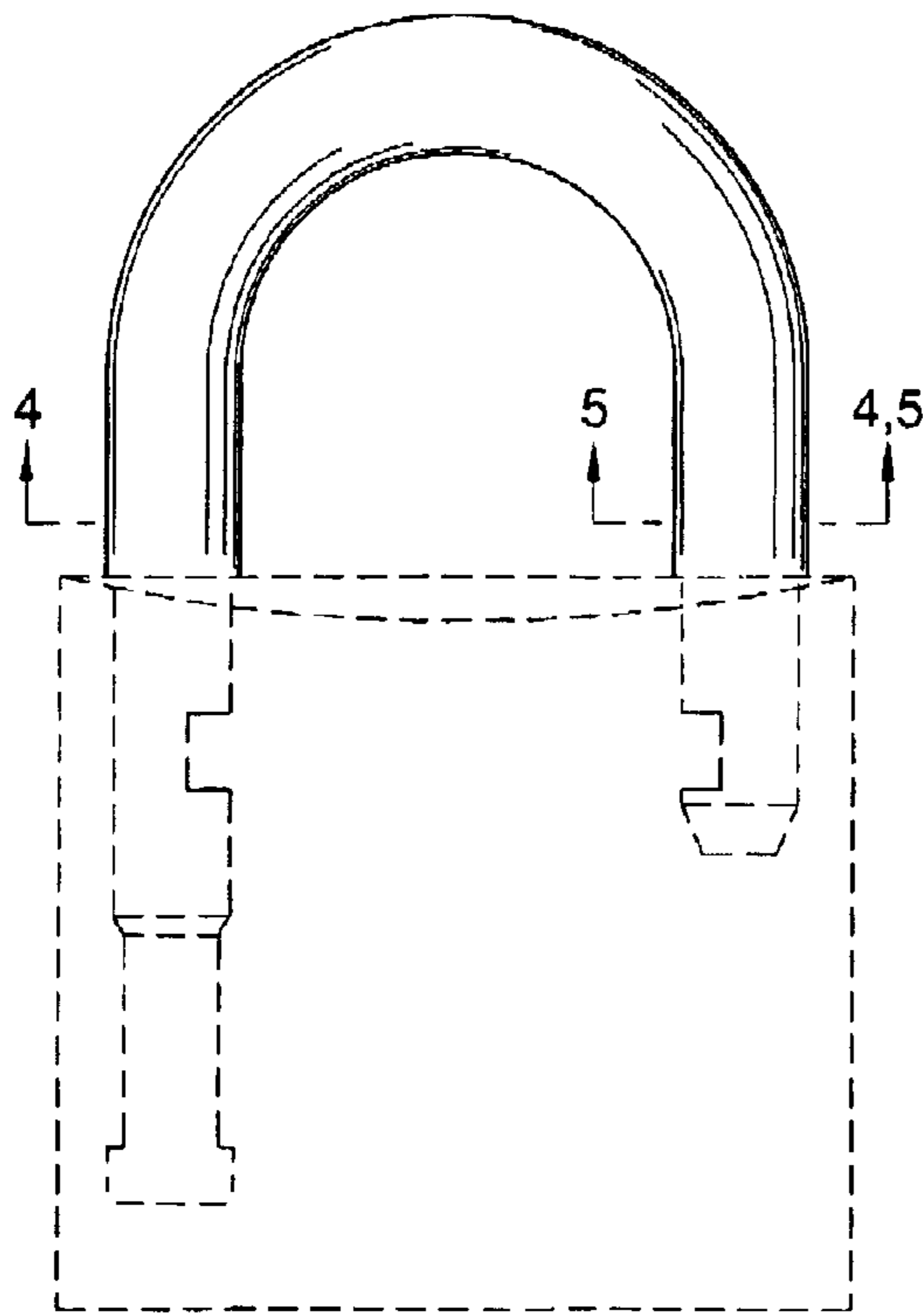




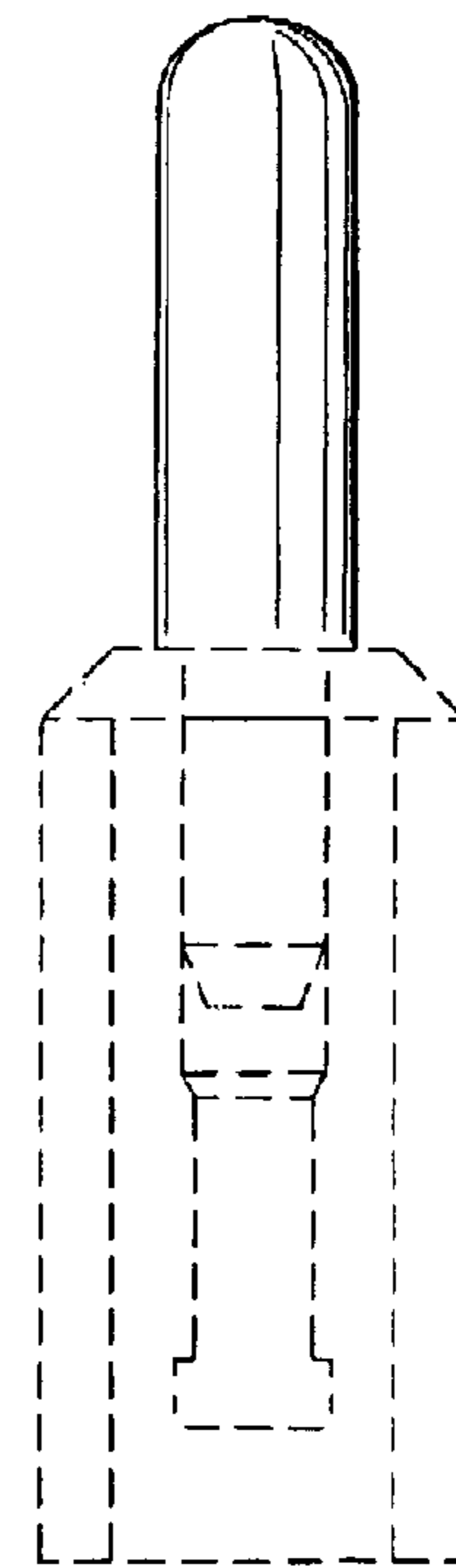
*Fig. 1*



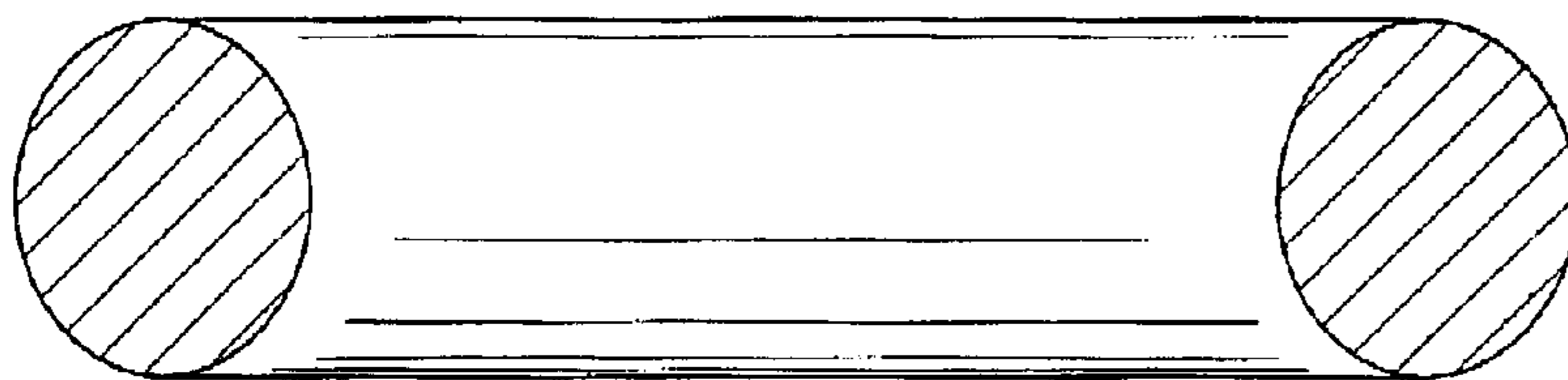
*Fig. 5*



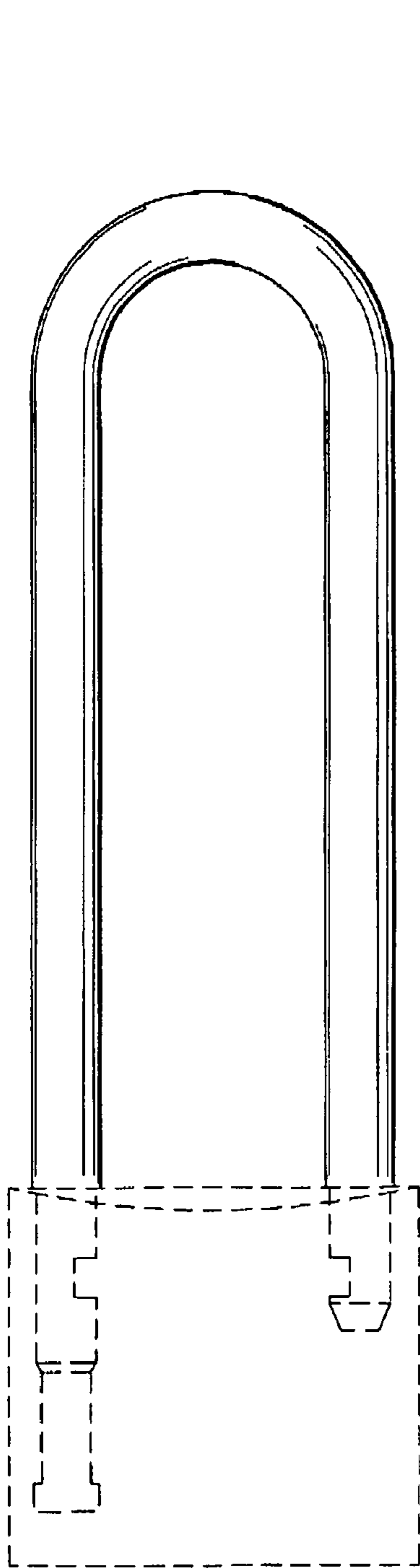
*Fig. 2*



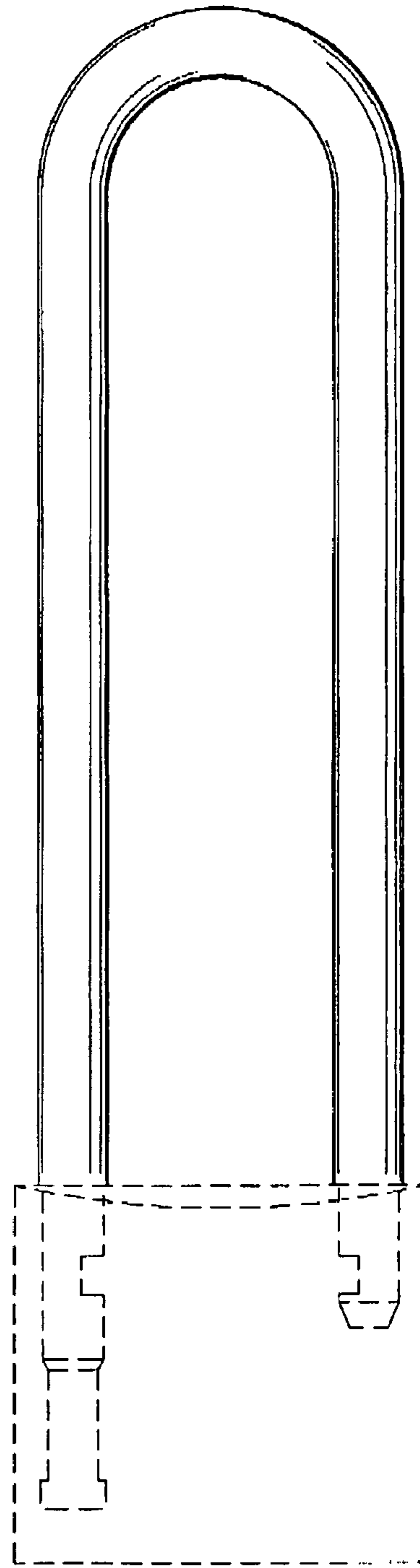
*Fig. 3*



*Fig. 4*



*Fig. 6*



*Fig. 7*