

US00D573444S

(12) **United States Design Patent**
Hardt, II

(10) **Patent No.:** **US D573,444 S**
(45) **Date of Patent:** **** Jul. 22, 2008**

(54) **FURNITURE CONNECTION LOCKING DEVICE**

(75) Inventor: **John C. Hardt, II**, Belton, TX (US)

(73) Assignee: **Moore Co, L.P.**, Temple, TX (US)

(**) Term: **14 Years**

(21) Appl. No.: **29/287,960**

(22) Filed: **Oct. 4, 2007**

(51) **LOC (8) Cl.** **08-07**

(52) **U.S. Cl.** **D8/343; D8/374**

(58) **Field of Classification Search** D8/330,
D8/331, 339, 343, 349, 374, 373, 400; 292/302,
292/289, 281, 300, 341.18, DIG. 60; 248/126,
248/127, 188.1, 188.8

See application file for complete search history.

(56) **References Cited**

U.S. PATENT DOCUMENTS

2,814,543 A * 11/1957 Siegel 312/218
4,697,946 A * 10/1987 Rock et al. 403/9
5,165,638 A * 11/1992 Fallon et al. 248/188.7

5,271,670 A * 12/1993 Grabher 312/348.1
5,315,722 A * 5/1994 Djie 5/37.1
5,658,086 A * 8/1997 Brokaw et al. 403/327
6,092,846 A * 7/2000 Fuss et al. 292/302
D455,335 S * 4/2002 Cort D8/374
D470,038 S * 2/2003 Lapp et al. D8/374
D508,195 S * 8/2005 Pack et al. D8/302
D515,400 S * 2/2006 Tozer D8/343

* cited by examiner

Primary Examiner—Prabhakar Deshmukh

(74) *Attorney, Agent, or Firm*—The Nath Law Group; Jerald L. Meyer; Derek Richmond

(57) **CLAIM**

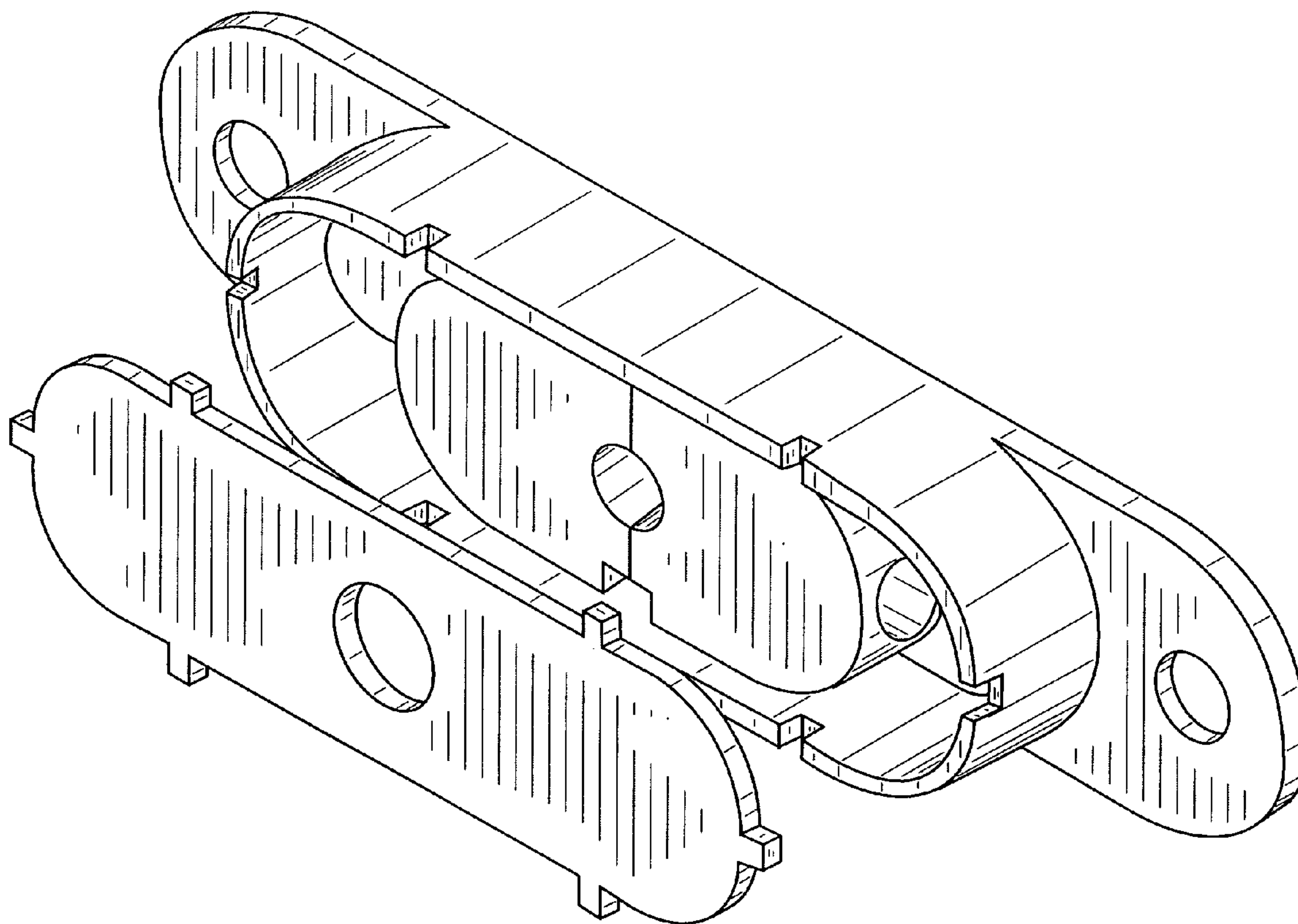
The ornamental design for a furniture connection locking device, as shown and described.

DESCRIPTION

FIG. 1 is an exploded perspective view of a furniture connection locking device showing my new design; and,

FIG. 2 is a perspective view thereof, shown in assembled position.

1 Claim, 2 Drawing Sheets



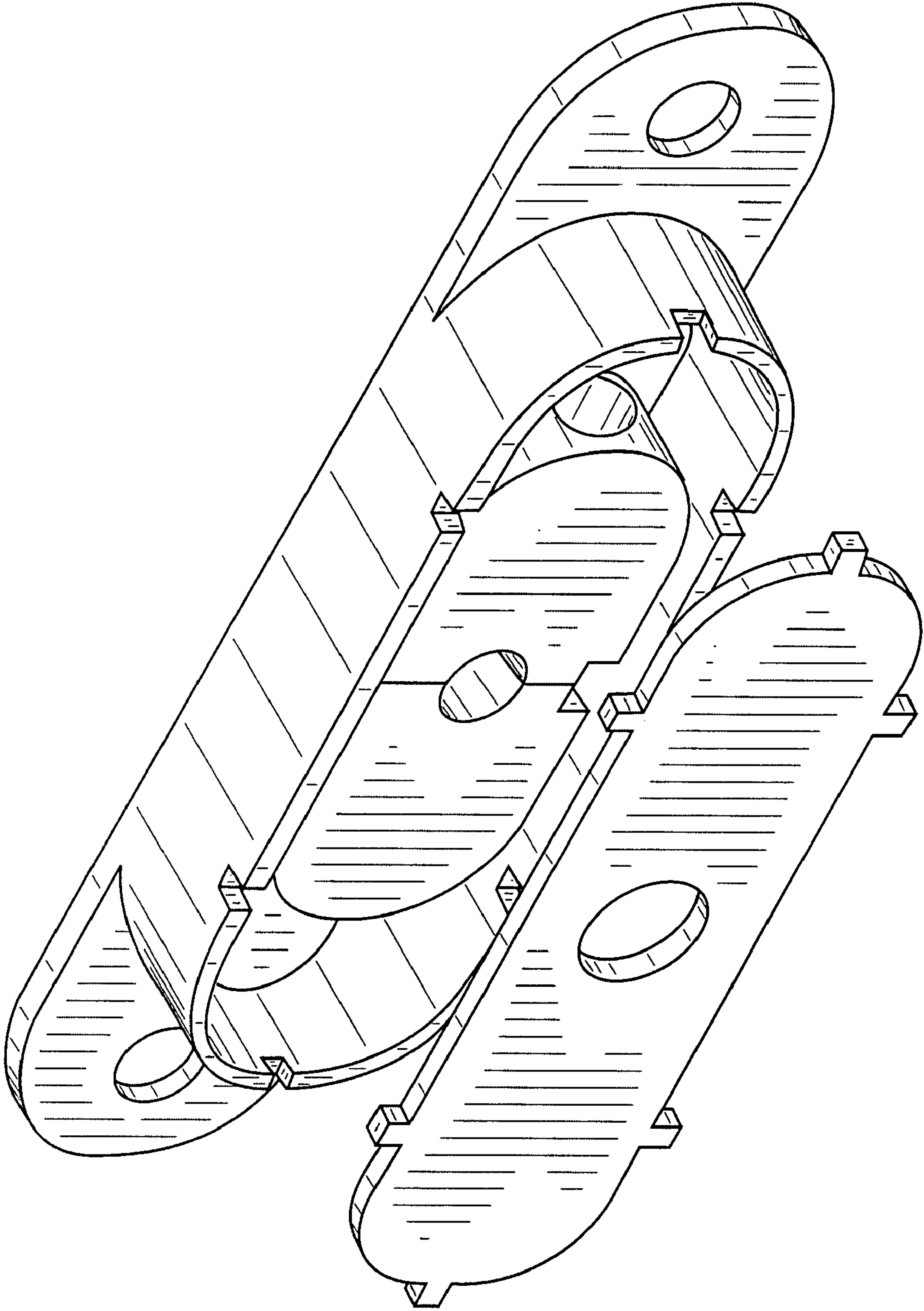


FIG. 1

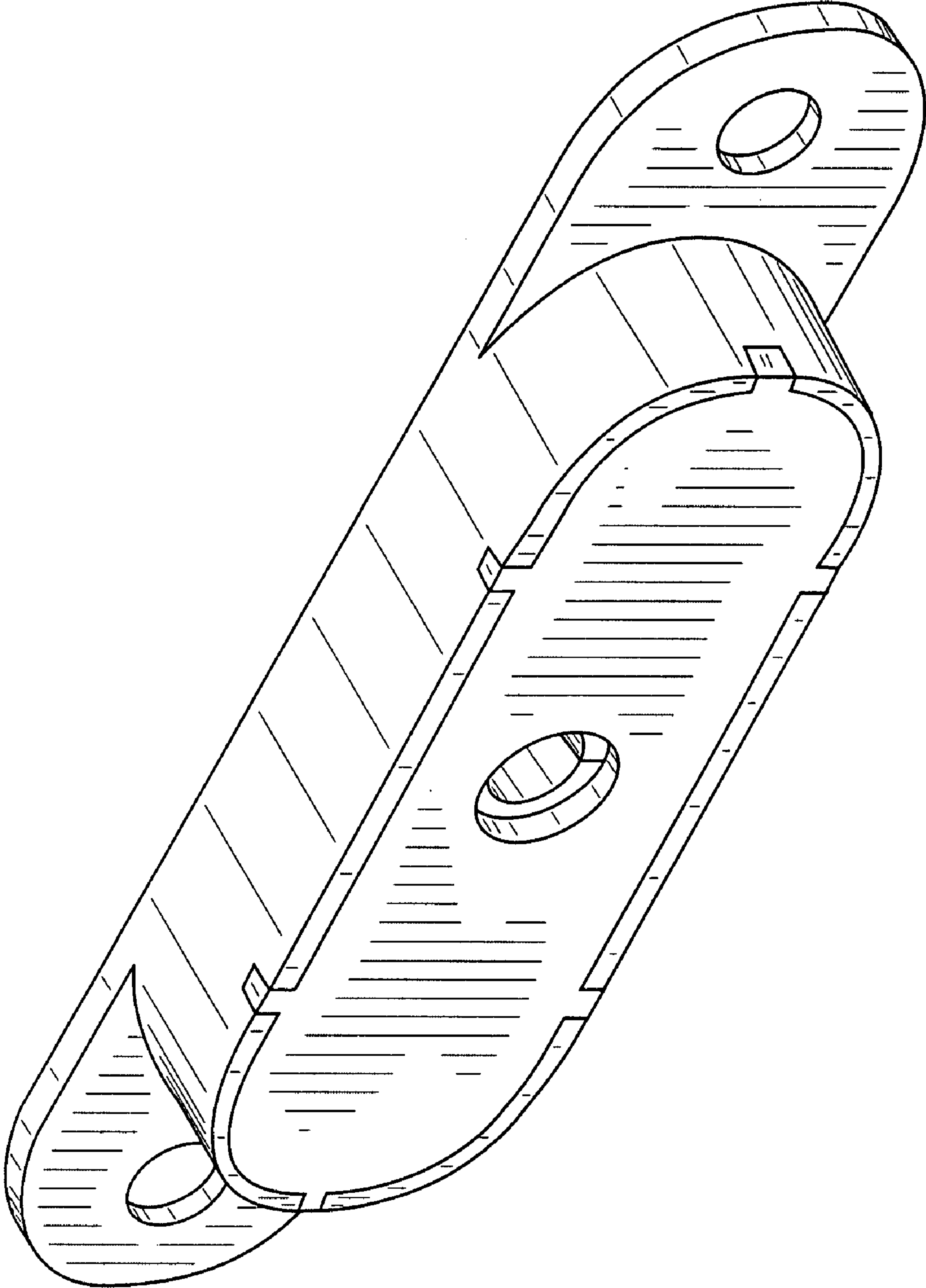


FIG. 2