



US00D573443S

(12) **United States Design Patent**
Swan

(10) **Patent No.:** **US D573,443 S**
(45) **Date of Patent:** **** Jul. 22, 2008**

(54) **WEAPON ACCESSORY MOUNT**

(76) Inventor: **Richard E. Swan**, 171 West St., E.
Bridgewater, MA (US) 02333

(**) Term: **14 Years**

(21) Appl. No.: **29/280,191**

(22) Filed: **May 20, 2007**

(51) **LOC (8) Cl.** **08-07**

(52) **U.S. Cl.** **D8/343**

(58) **Field of Classification Search** D8/330,
D8/331, 343, 344, 339, 340; 70/29, 40, 85,
70/113, 126, 134, 100, 161, 166, 173, 186,
70/143, 236, 200, 226, 192-196; 292/106,
292/119, 121, 128, 134; 42/124, 127
See application file for complete search history.

(56) **References Cited**

U.S. PATENT DOCUMENTS

D302,239	S *	7/1989	Russell et al.	D8/366
4,845,871	A	7/1989	Swan	
5,276,988	A	1/1994	Swan	
5,697,254	A *	12/1997	Kubosaki	74/473.21
D444,371	S *	7/2001	Leonowich	D8/331
6,371,778	B1 *	4/2002	Watanabe	439/157
D469,681	S *	2/2003	Votruba et al.	D8/343
D472,166	S *	3/2003	Swan	D10/61
D494,840	S *	8/2004	Senn	D8/344
D537,499	S	2/2007	Swan	
7,204,052	B2	4/2007	Swan	

7,246,778	B2 *	7/2007	Caveney et al.	248/68.1
D548,811	S	8/2007	Swan	
2004/0000083	A1 *	1/2004	Grant, Jr.	42/112
2005/0000142	A1 *	1/2005	Kim et al.	42/124
2006/0169096	A1 *	8/2006	Barnett	74/551.8
2006/0207156	A1 *	9/2006	Larue	42/127

* cited by examiner

Primary Examiner—Prabhakar Deshmukh

(74) *Attorney, Agent, or Firm*—Barlow, Josephs & Holmes, Ltd.

(57) **CLAIM**

The ornamental design for a weapon accessory mount, as shown and described.

DESCRIPTION

FIG. 1 is a perspective view of the weapon accessory mount in accordance with the present invention;

FIG. 2 is a top view thereof;

FIG. 3 is a bottom view thereof;

FIG. 4 is a left side view thereof;

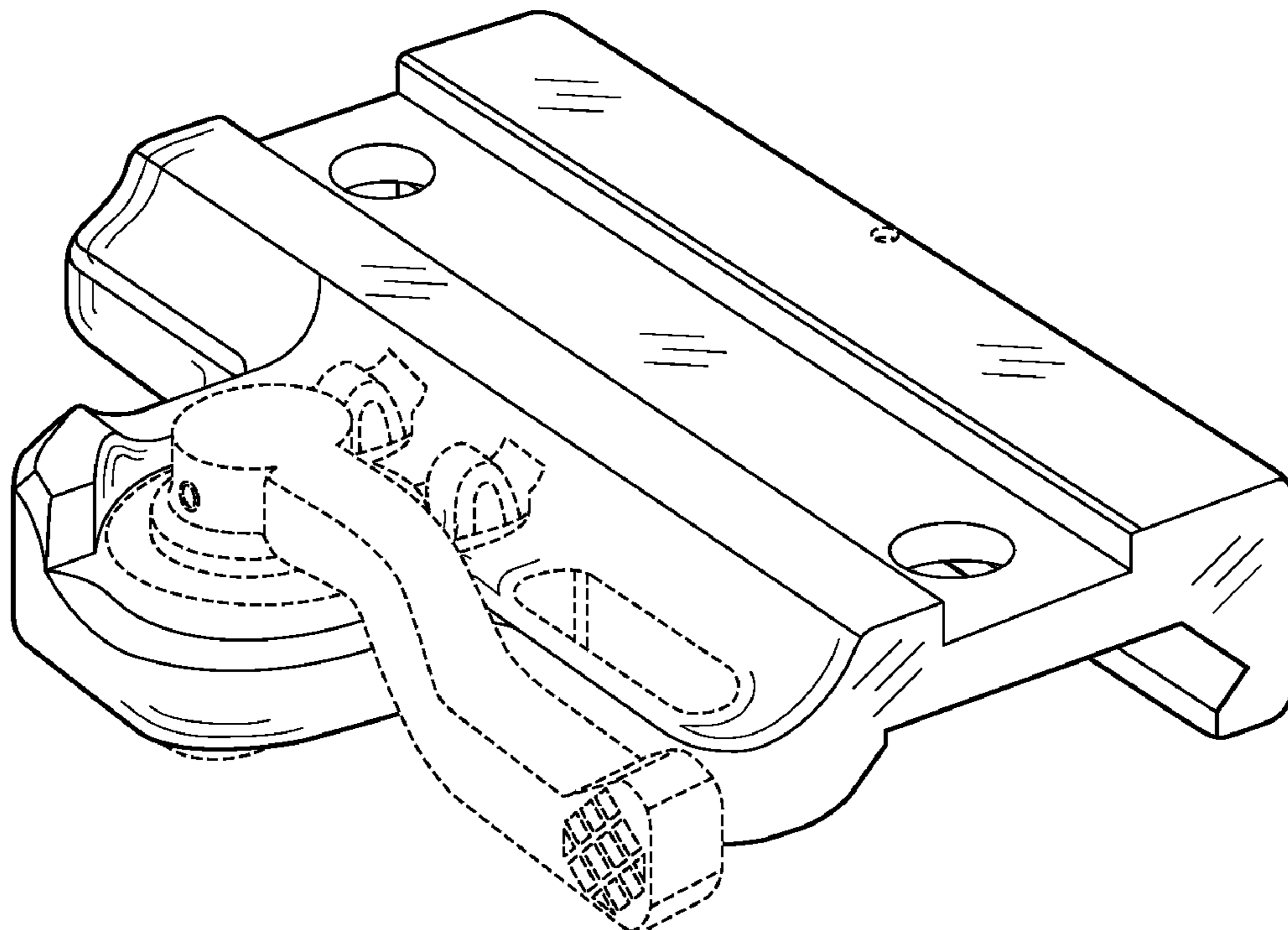
FIG. 5 is a right side view thereof;

FIG. 6 is a rear view thereof; and,

FIG. 7 is a front view thereof.

The elements depicted in broken line in the various figures are included for environmental purposes only, and form no part of the claimed design.

1 Claim, 7 Drawing Sheets



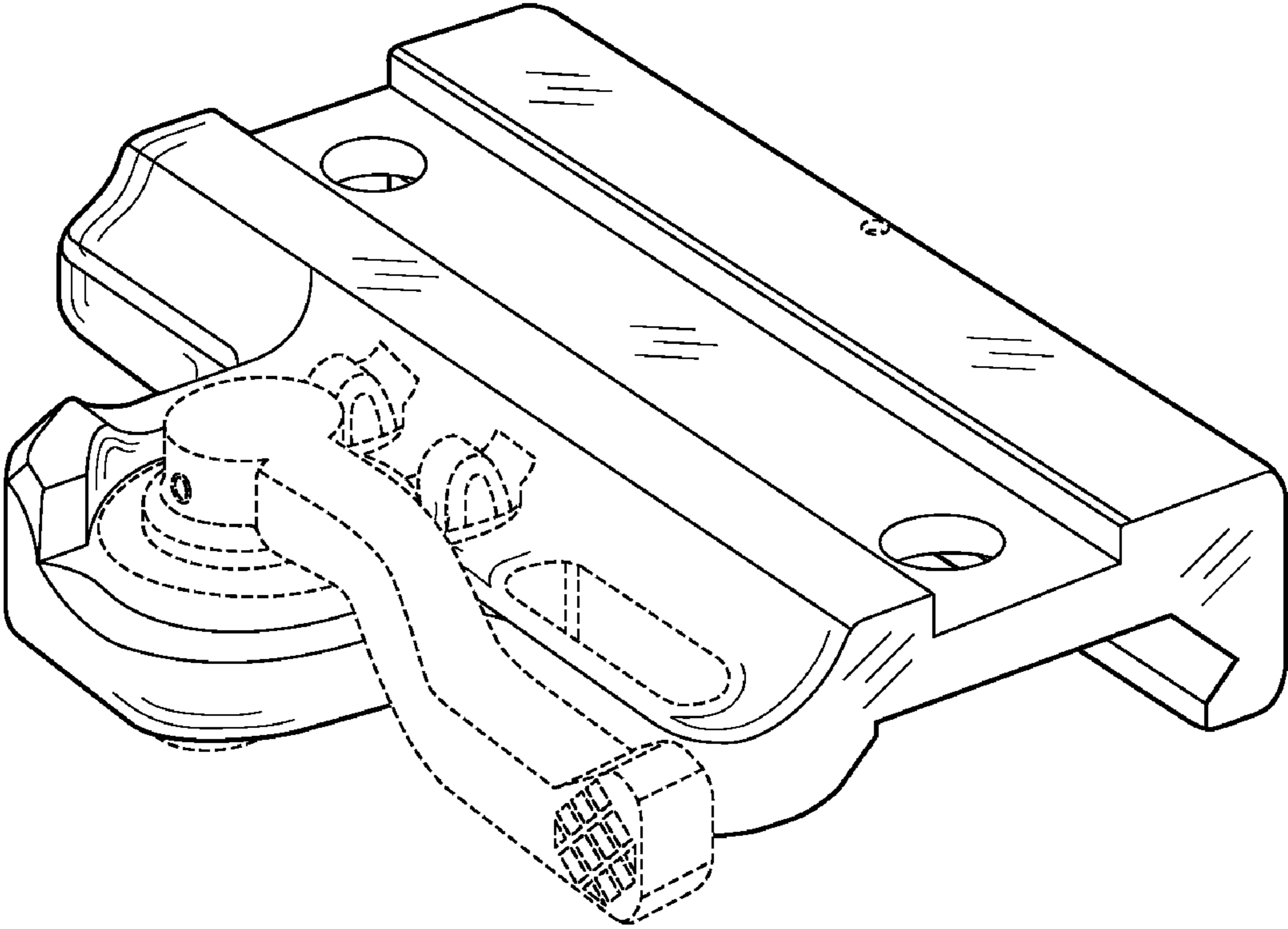


Fig. 1

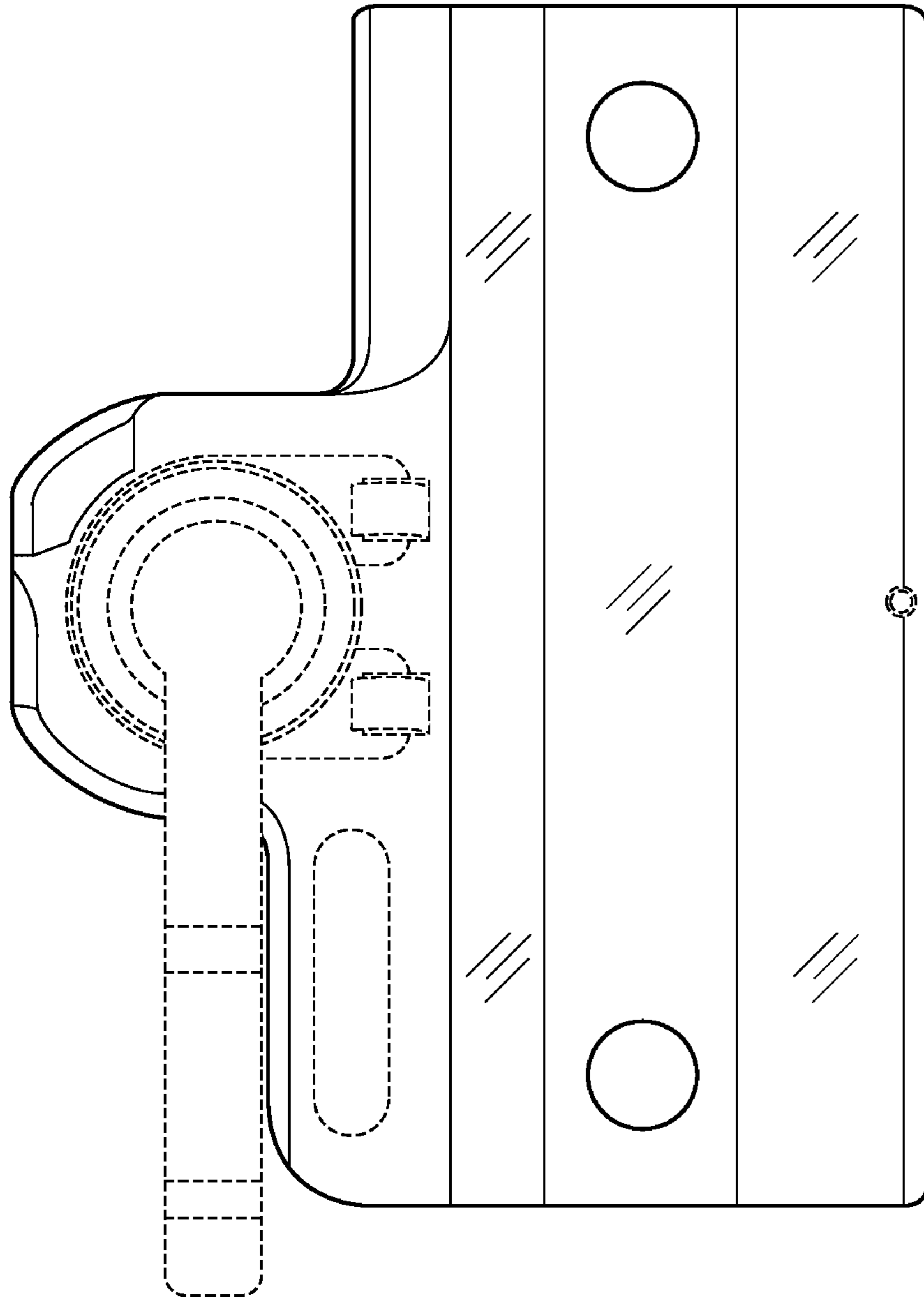


Fig. 2

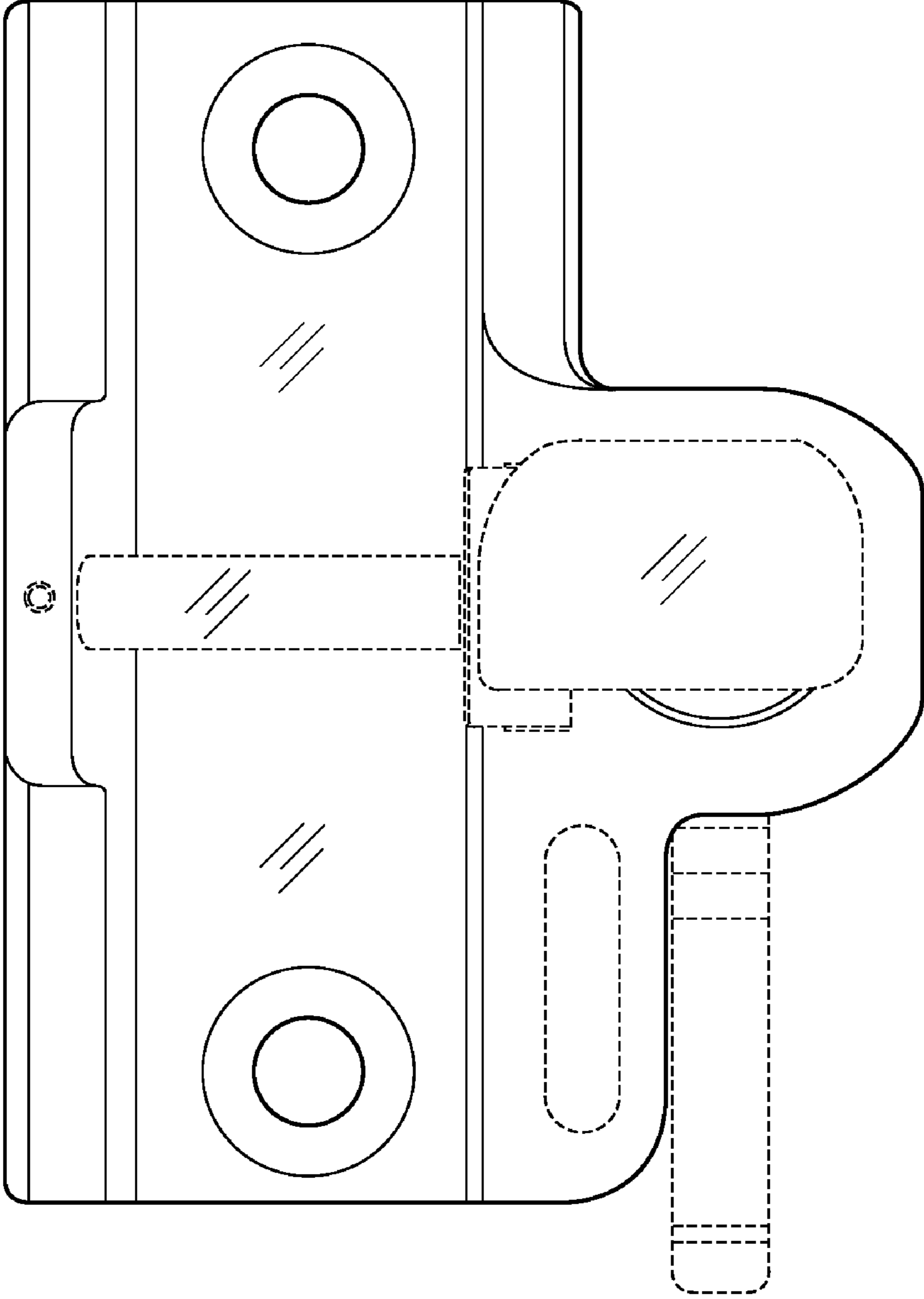


Fig. 3

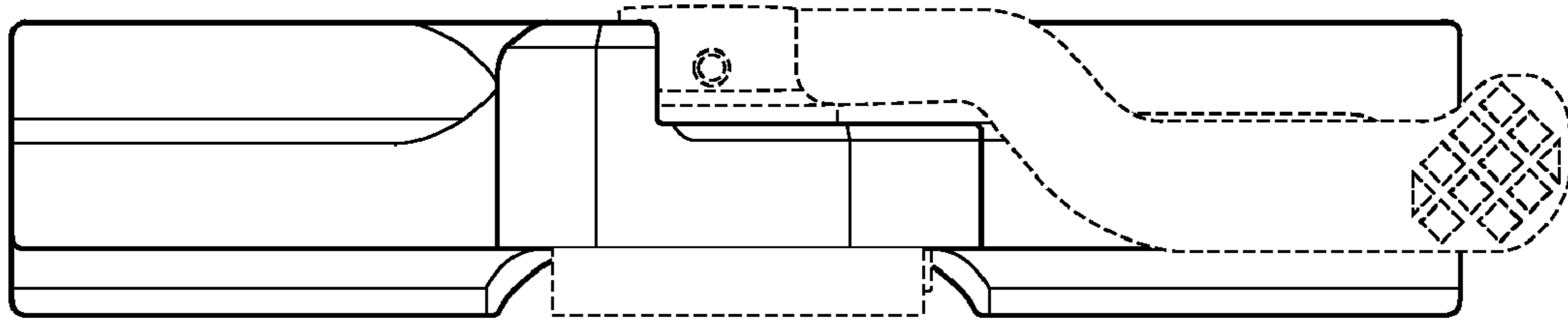


Fig. 4

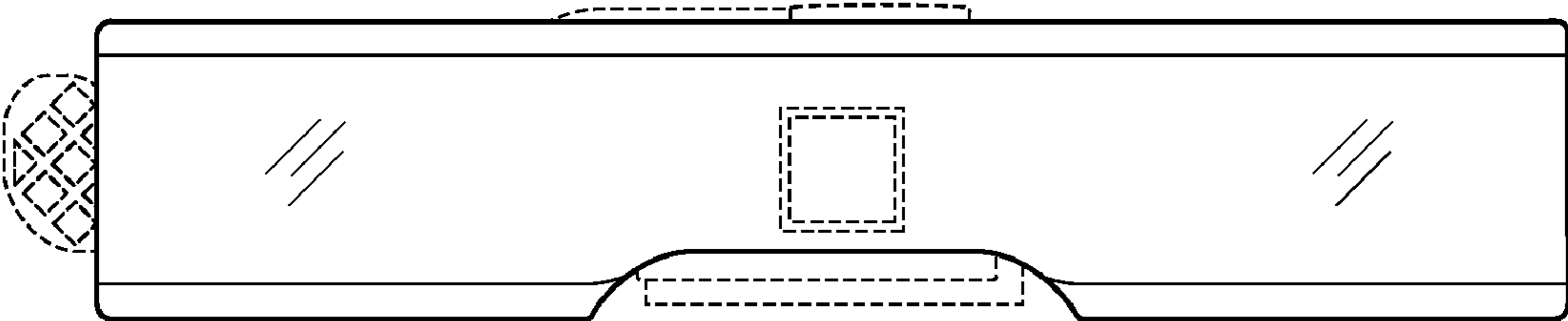


Fig. 5

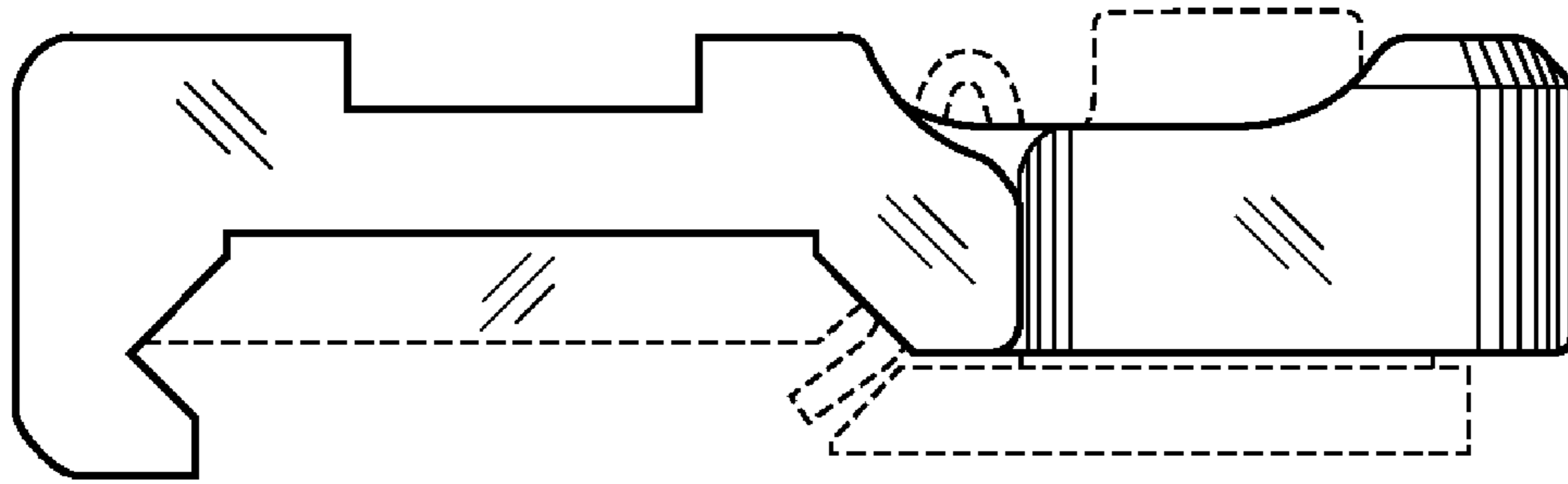


Fig. 6

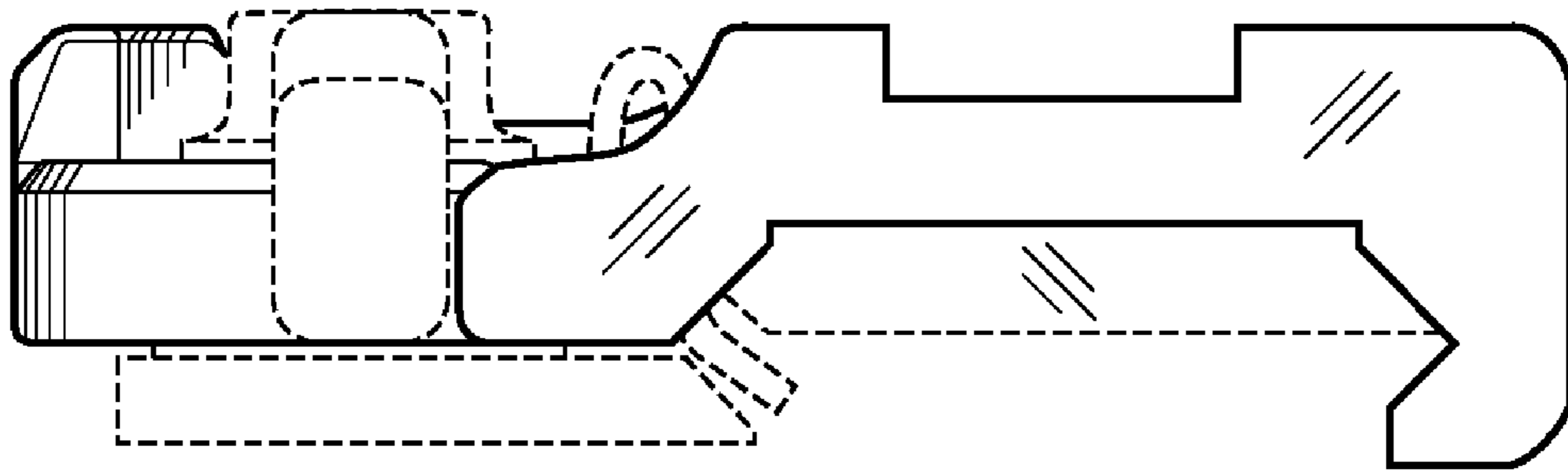


Fig. 7