



US00D573442S

(12) **United States Design Patent**
Antkowiak et al.

(10) **Patent No.:** **US D573,442 S**
(45) **Date of Patent:** **** Jul. 22, 2008**

(54) **PUSH BUTTON REAR ACTIVATING UNIT FOR A GATE LATCH ASSEMBLY**

(75) Inventors: **Margaret Antkowiak**, Dee Why (AU);
Irek Karcz, Cromer (AU)

(73) Assignee: **D & D Group Pty Ltd**, Frenchs Forest (AU)

(**) Term: **14 Years**

(21) Appl. No.: **29/295,340**

(22) Filed: **Sep. 26, 2007**

Related U.S. Application Data

(62) Division of application No. 29/248,072, filed on Jul. 27, 2006.

(30) **Foreign Application Priority Data**

Jan. 31, 2006 (AU) 10313/2006
Jan. 31, 2006 (AU) 10314/2006

(51) **LOC (8) Cl.** **87-07**

(52) **U.S. Cl.** **D8/331**

(58) **Field of Classification Search** D8/330-348;
292/129, 198; 70/137, 139, 101, 190, 360,
70/367; 200/43.13, 318.2, 566

See application file for complete search history.

(56) **References Cited**

U.S. PATENT DOCUMENTS

D312,769 S * 12/1990 Bisbing D8/338
D364,548 S * 11/1995 Platt D8/331

6,058,747 A * 5/2000 Doyle et al. 70/137
D439,497 S * 3/2001 Clark et al. D8/331
6,513,351 B2 * 2/2003 Clark 70/101
7,126,066 B1 * 10/2006 Corcino et al. 200/43.13
D537,317 S * 2/2007 Jackson, Jr. D8/300
7,205,492 B1 * 4/2007 Corcino et al. 200/43.13
D546,661 S * 7/2007 Jackson, Jr. D8/331
D549,075 S * 8/2007 Jackson, Jr. D8/331
D556,539 S * 12/2007 Kiraly D8/331
D563,201 S * 3/2008 Antkowiak et al. D8/343
D563,767 S * 3/2008 Antkowiak et al. D8/343

* cited by examiner

Primary Examiner—Mitchell I Siegel

(74) *Attorney, Agent, or Firm*—Kelly Lowry & Kelley LLP

(57) **CLAIM**

The ornamental design for a push button rear activating unit for a gate latch assembly, as shown.

DESCRIPTION

FIG. 1 is a front perspective view of a push button rear activating unit for a gate latch assembly embodying our new design.

FIG. 2 is a back perspective view thereof.

FIG. 3 is a front view thereof.

FIG. 4 is a left side view thereof.

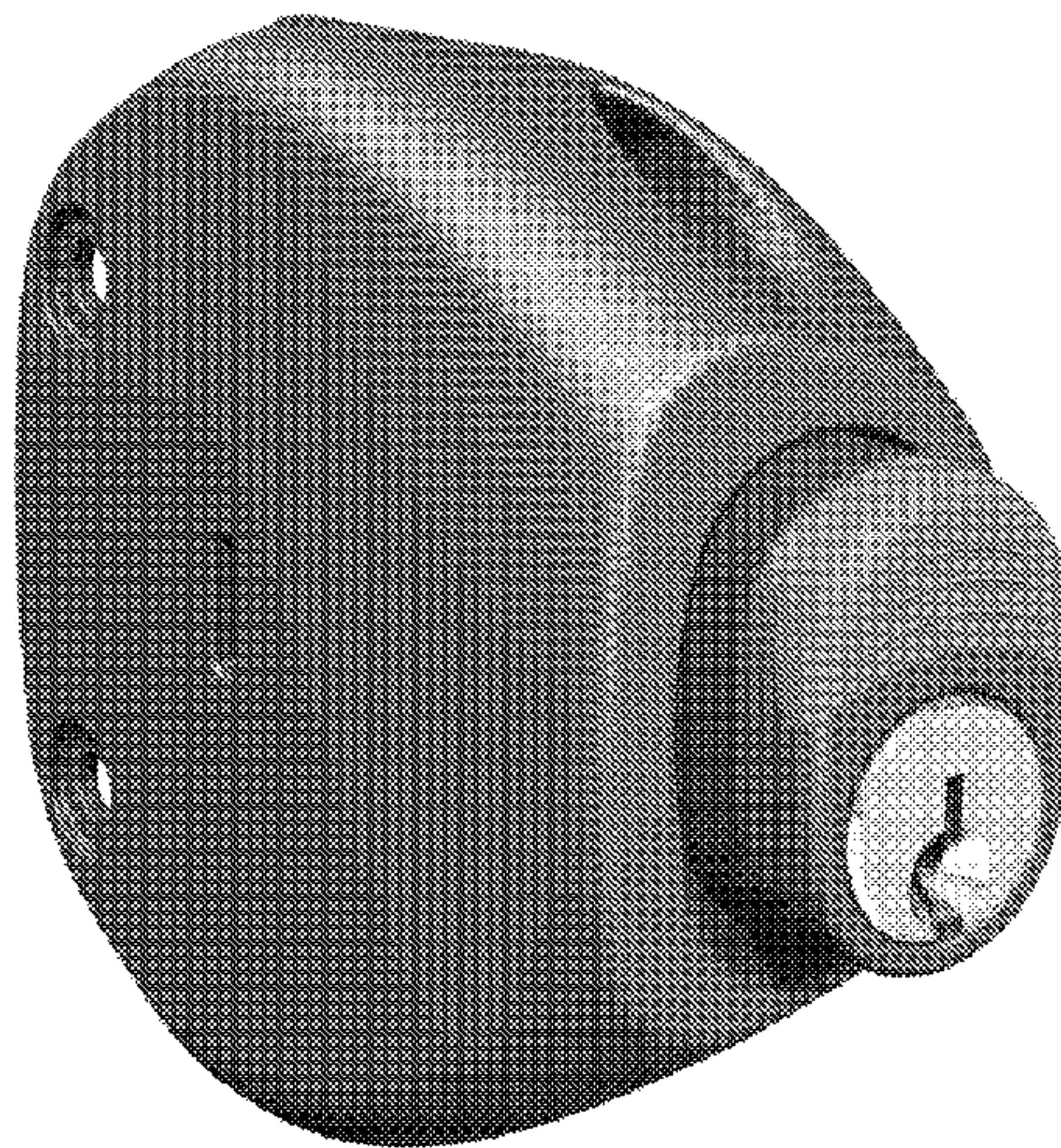
FIG. 5 is a right side view thereof.

FIG. 6 is a top plan view thereof.

FIG. 7 is a back view thereof; and,

FIG. 8 is a bottom view thereof.

1 Claim, 8 Drawing Sheets



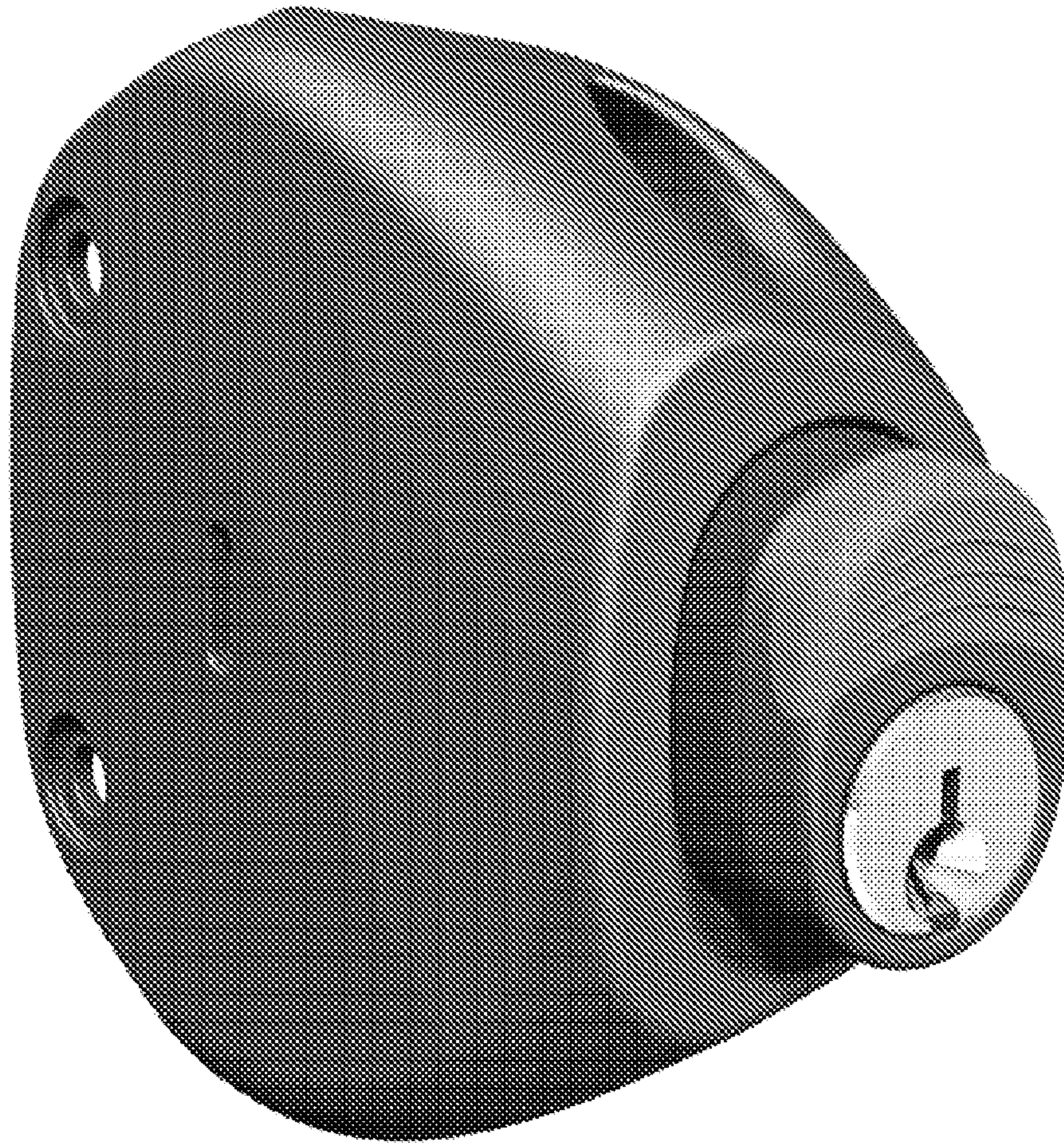


FIGURE 1

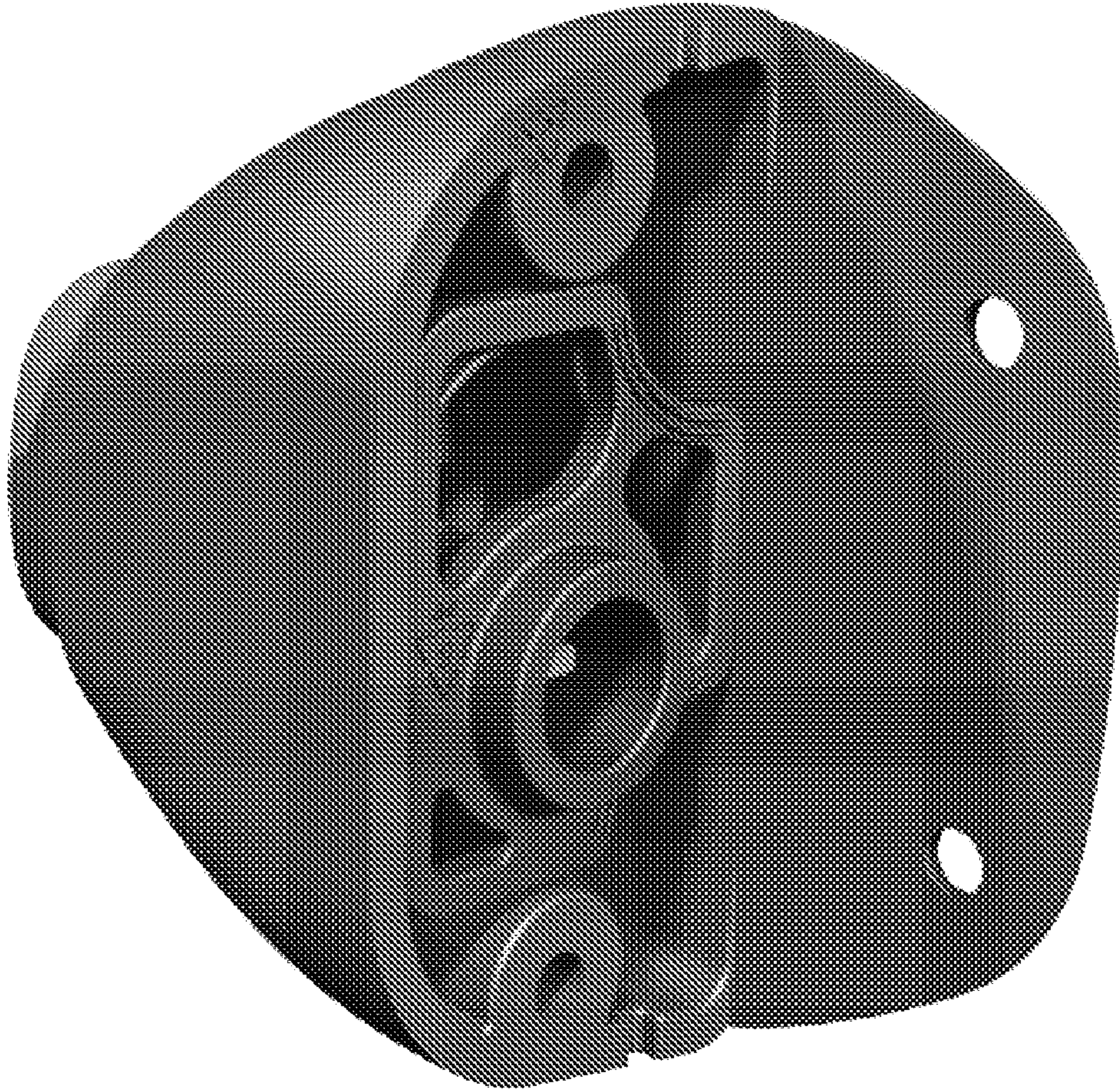


FIGURE 2

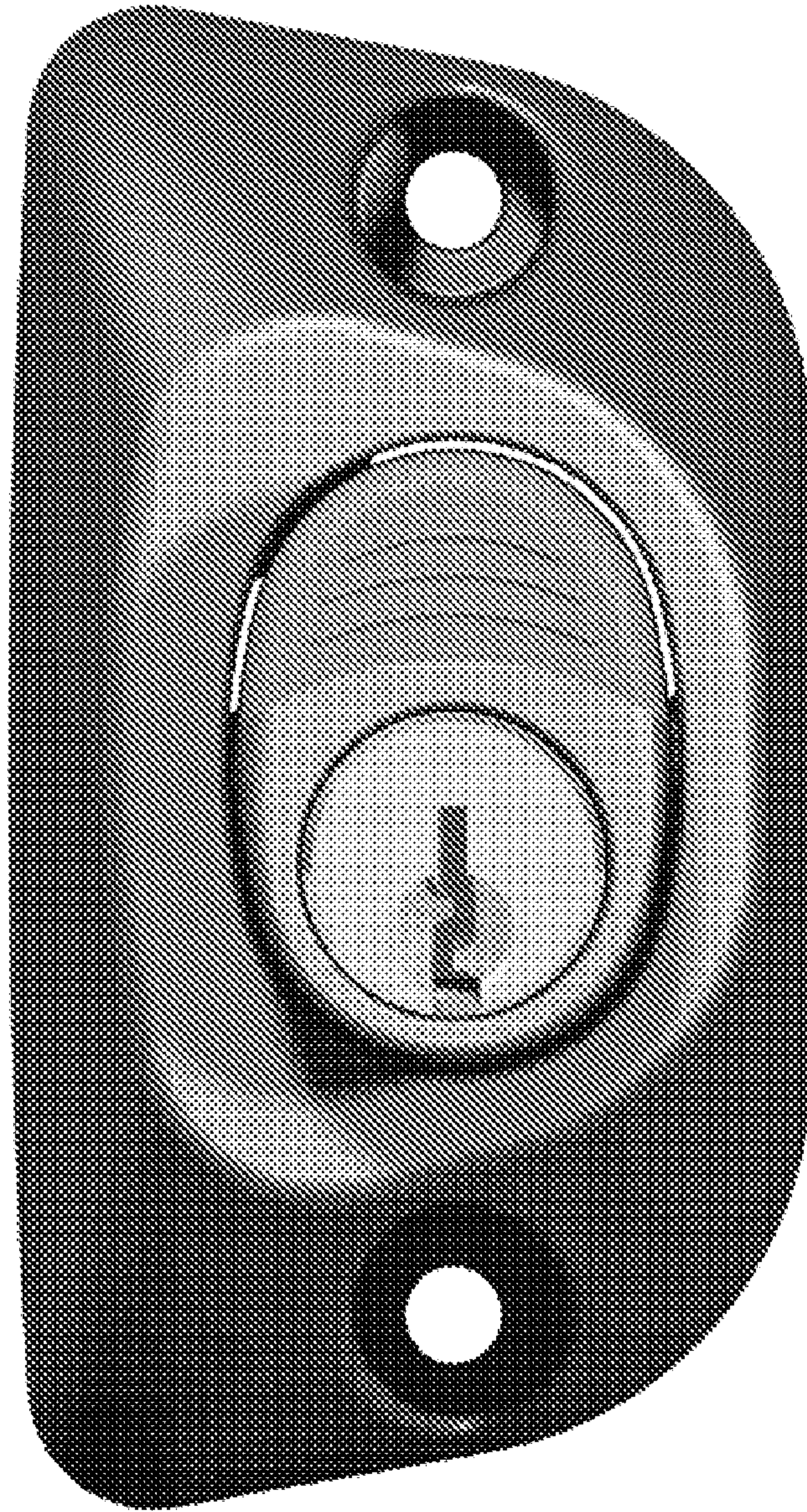


FIGURE 3

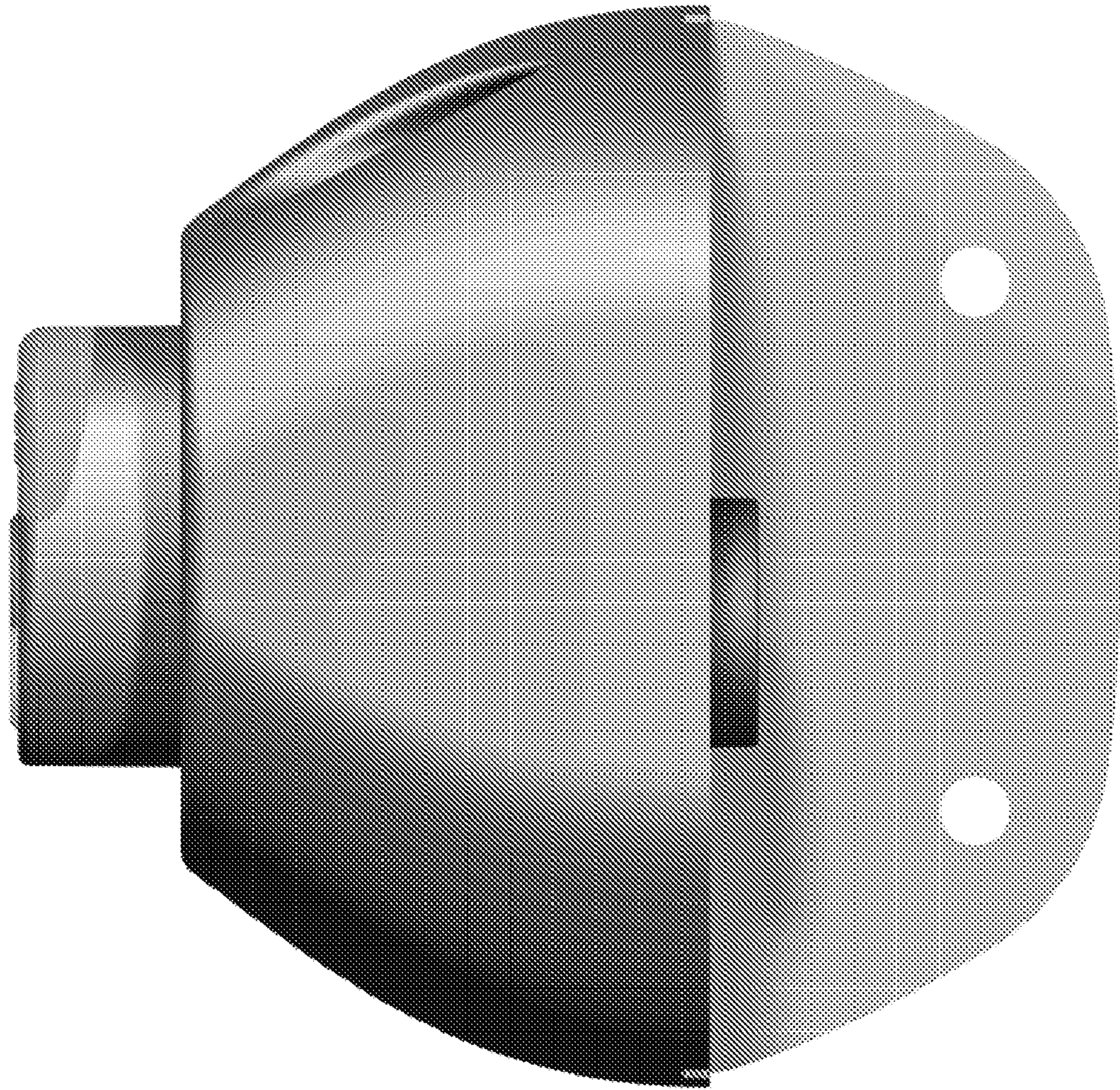


FIGURE 4

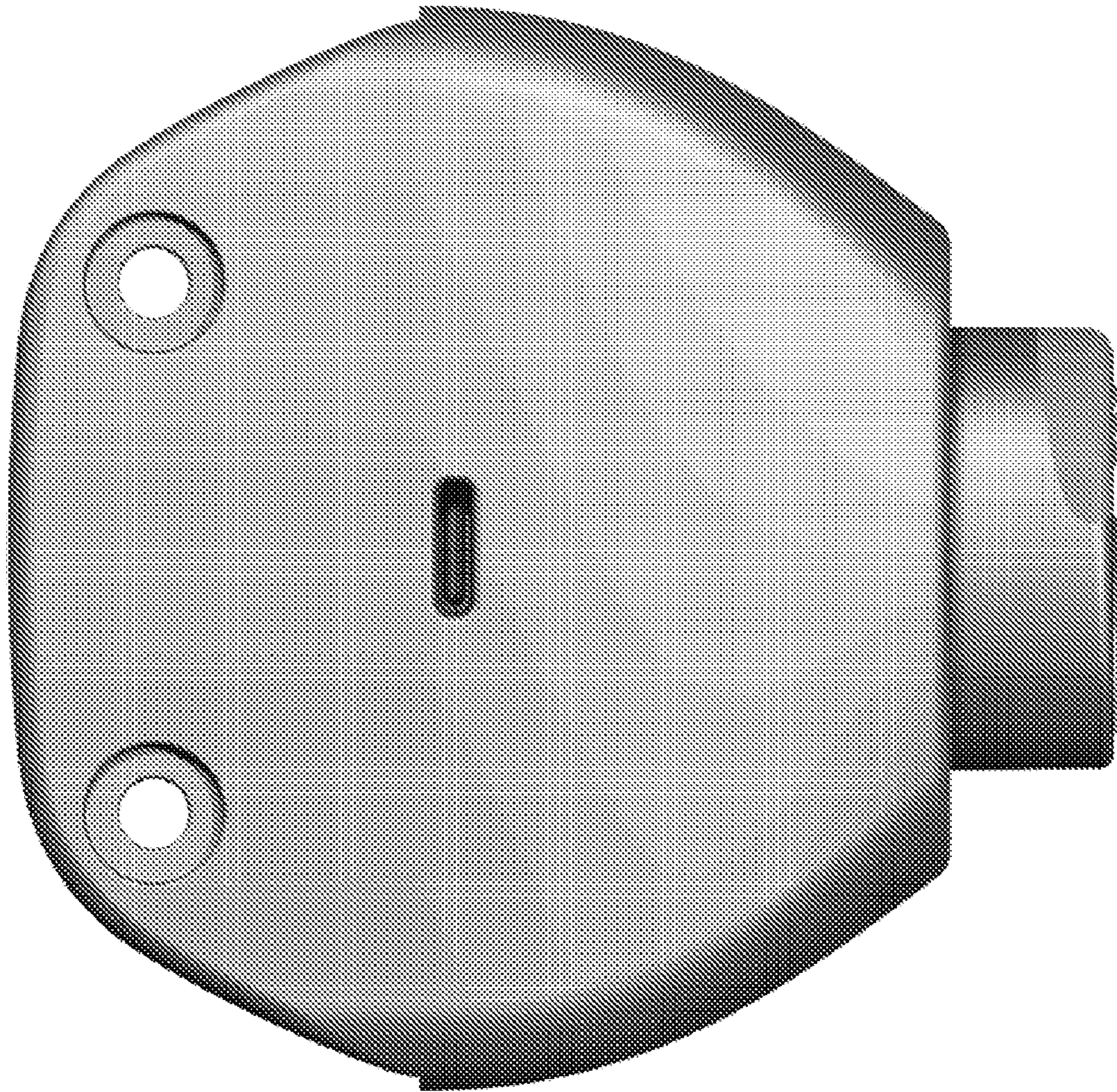


FIGURE 5

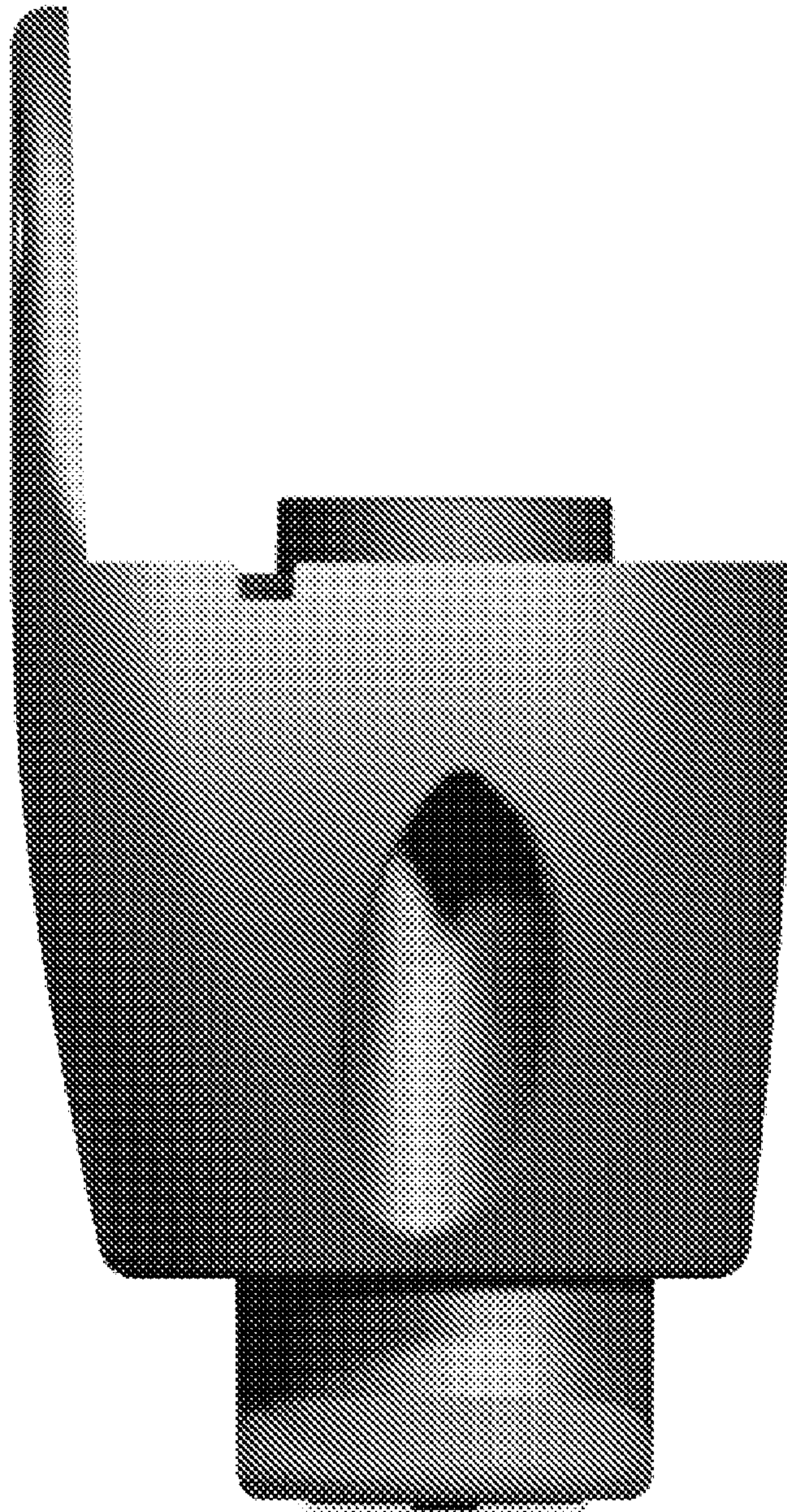


FIGURE 6

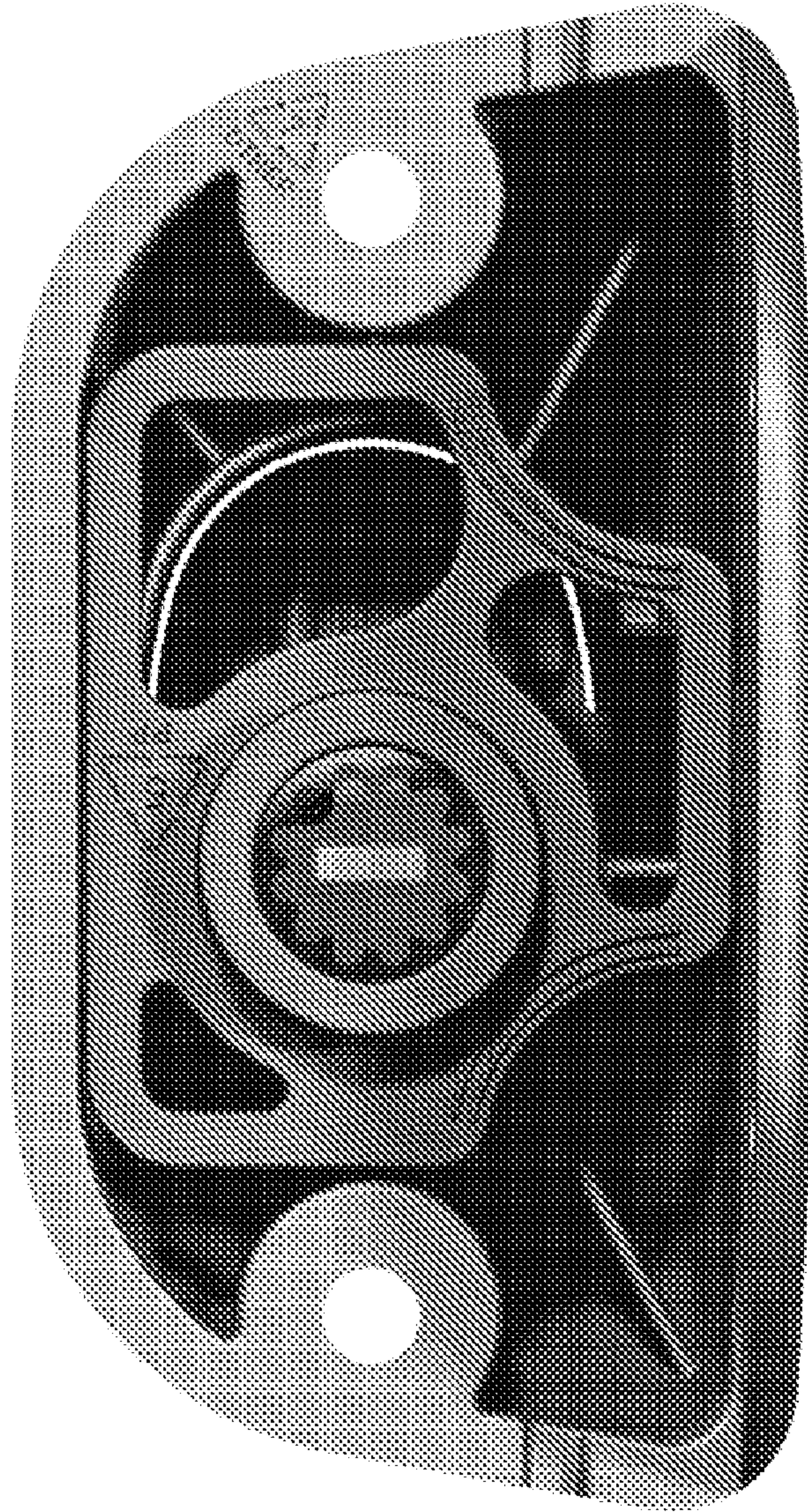


FIGURE 7

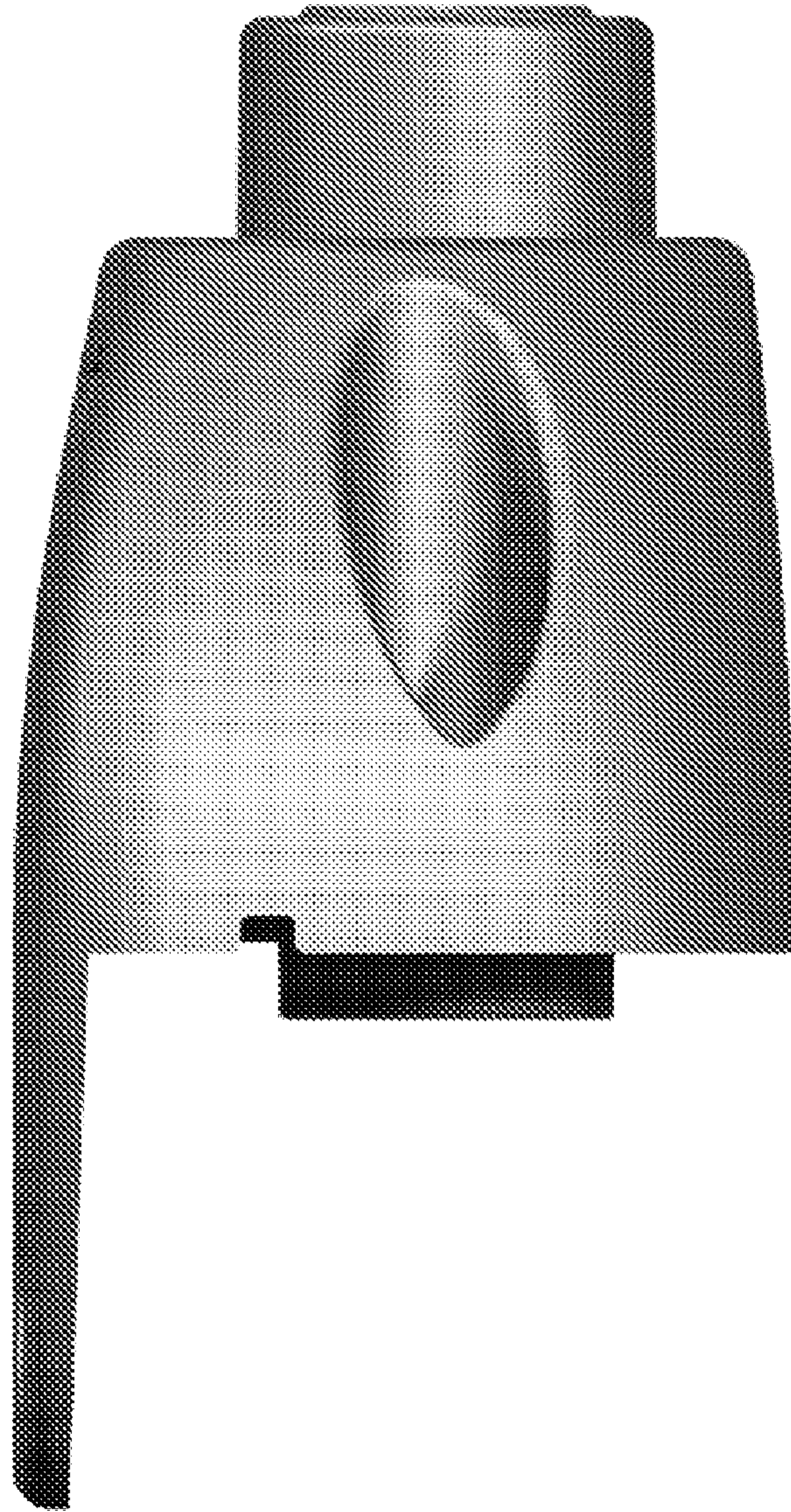


FIGURE 8