



US00D573441S

(12) **United States Design Patent**
Johnson et al.

(10) **Patent No.:** **US D573,441 S**
(45) **Date of Patent:** **** Jul. 22, 2008**

(54) **CLEAT OF LOCKING MECHANISM**

(75) Inventors: **Eric M. Johnson**, Brooklyn, NY (US);
Ben Michaeli, South Setauket, NY (US);
JaeHo Choi, Whitestone, NY (US)

(73) Assignee: **Symbol Technologies, Inc.**, Holtsville,
NY (US)

(**) Term: **14 Years**

(21) Appl. No.: **29/276,004**

(22) Filed: **Jan. 11, 2007**

(51) **LOC (8) Cl.** **08-07**

(52) **U.S. Cl.** **D8/330**

(58) **Field of Classification Search** D8/330-348;
D13/107, 108, 250-253; D14/125-130,
D14/140-151; 292/113, 66, 24, 31, 80-89,
292/303, 240; 185/80, 85, 91, 92, 311, 312,
185/317, 14; 74/143, 431, 444

See application file for complete search history.

(56) **References Cited**

U.S. PATENT DOCUMENTS

6,944,015 B1 * 9/2005 Jenkins et al. 361/683
D561,002 S * 2/2008 Janethana-arthakij D8/343

D561,003 S * 2/2008 Janethana-arthakij D8/343
D561,182 S * 2/2008 Jenkins et al. D14/253

* cited by examiner

Primary Examiner—Mitchell I Siegel

(74) *Attorney, Agent, or Firm*—Fay Kaplun & Marcin, LLP

(57) **CLAIM**

The ornamental design for a cleat of locking mechanism, as shown and described.

DESCRIPTION

FIG. 1 is a bottom perspective view a cleat of locking mechanism showing our new design;

FIG. 2 is a top perspective view thereof;

FIG. 3 is a top plan view thereof;

FIG. 4 is a front elevational view thereof;

FIG. 5 is a bottom plan view thereof;

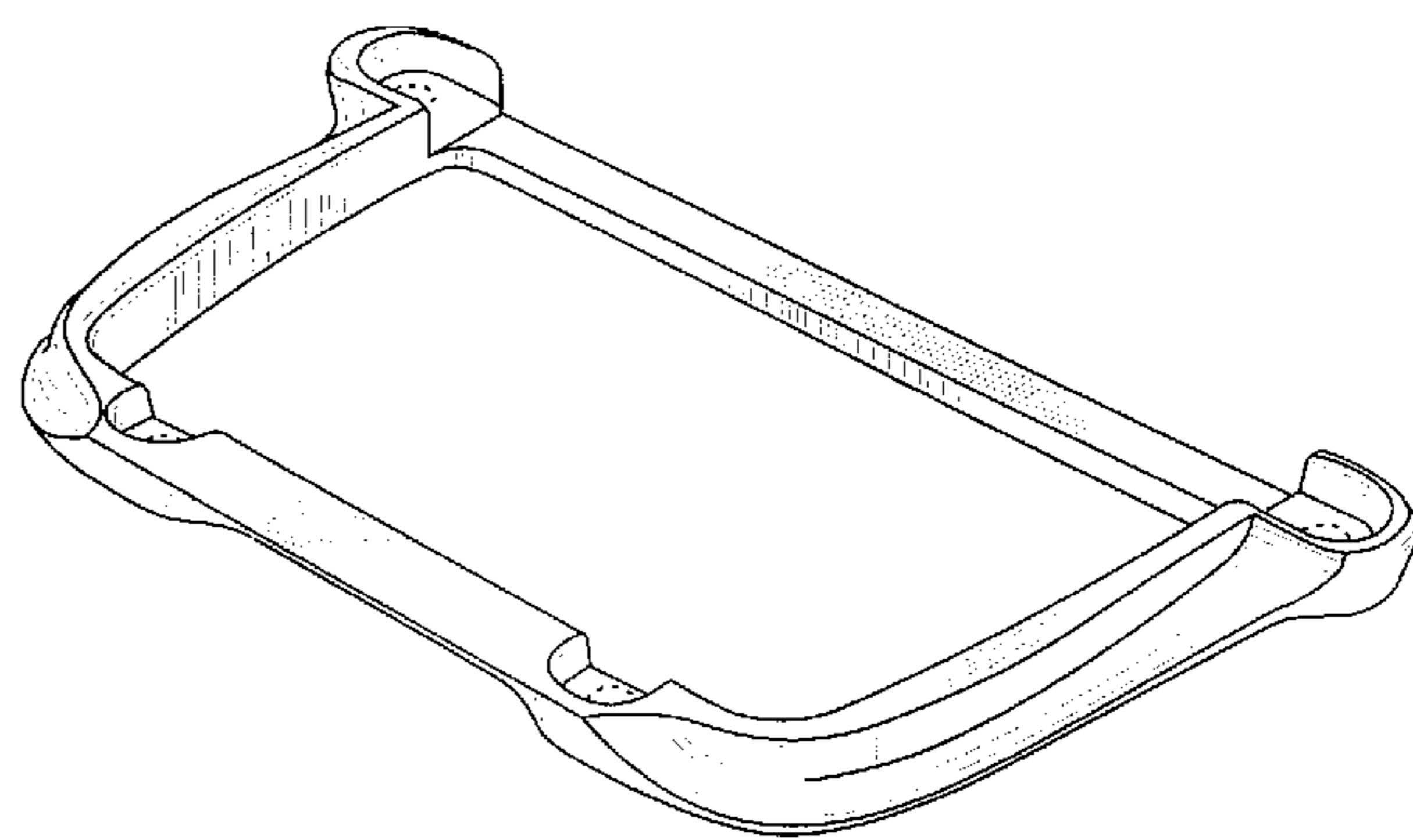
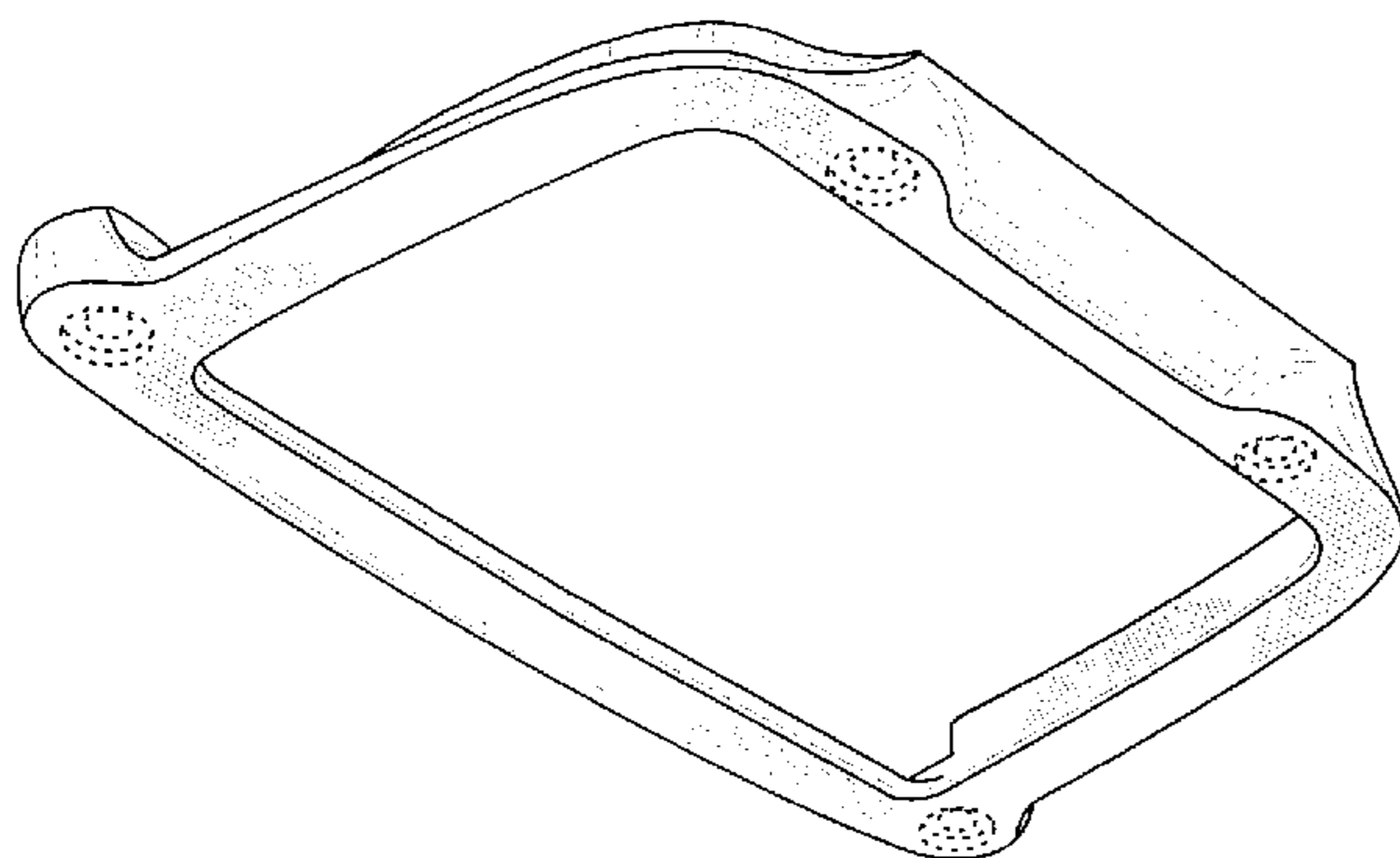
FIG. 6 is a rear elevational view thereof;

FIG. 7 is an end view thereof; and,

FIG. 8 is an opposite end view of FIG. 7.

The broken lines shown on FIGS. 1-8 are included for illustrative purposes only and form no part of the claimed design.

1 Claim, 4 Drawing Sheets



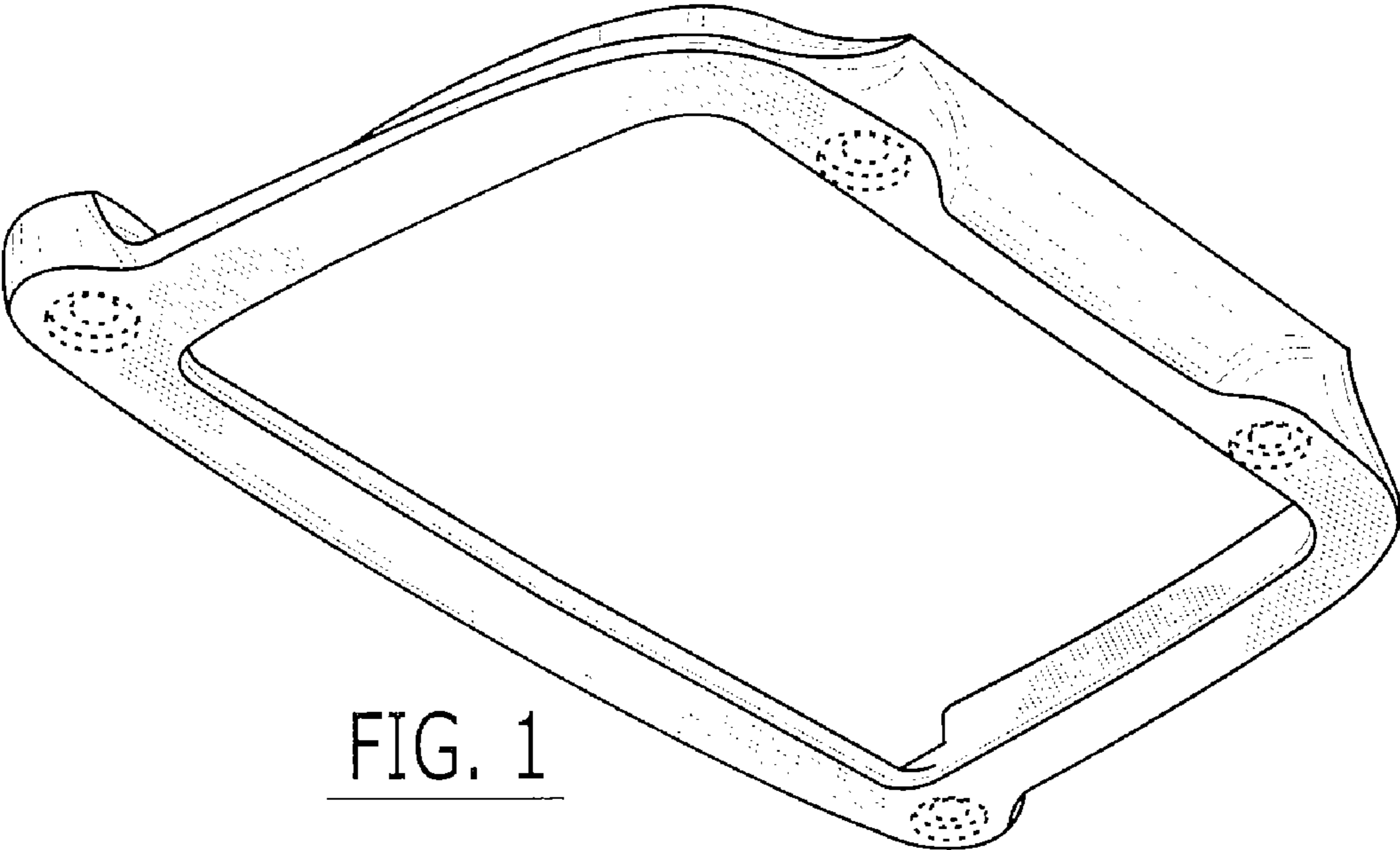


FIG. 1

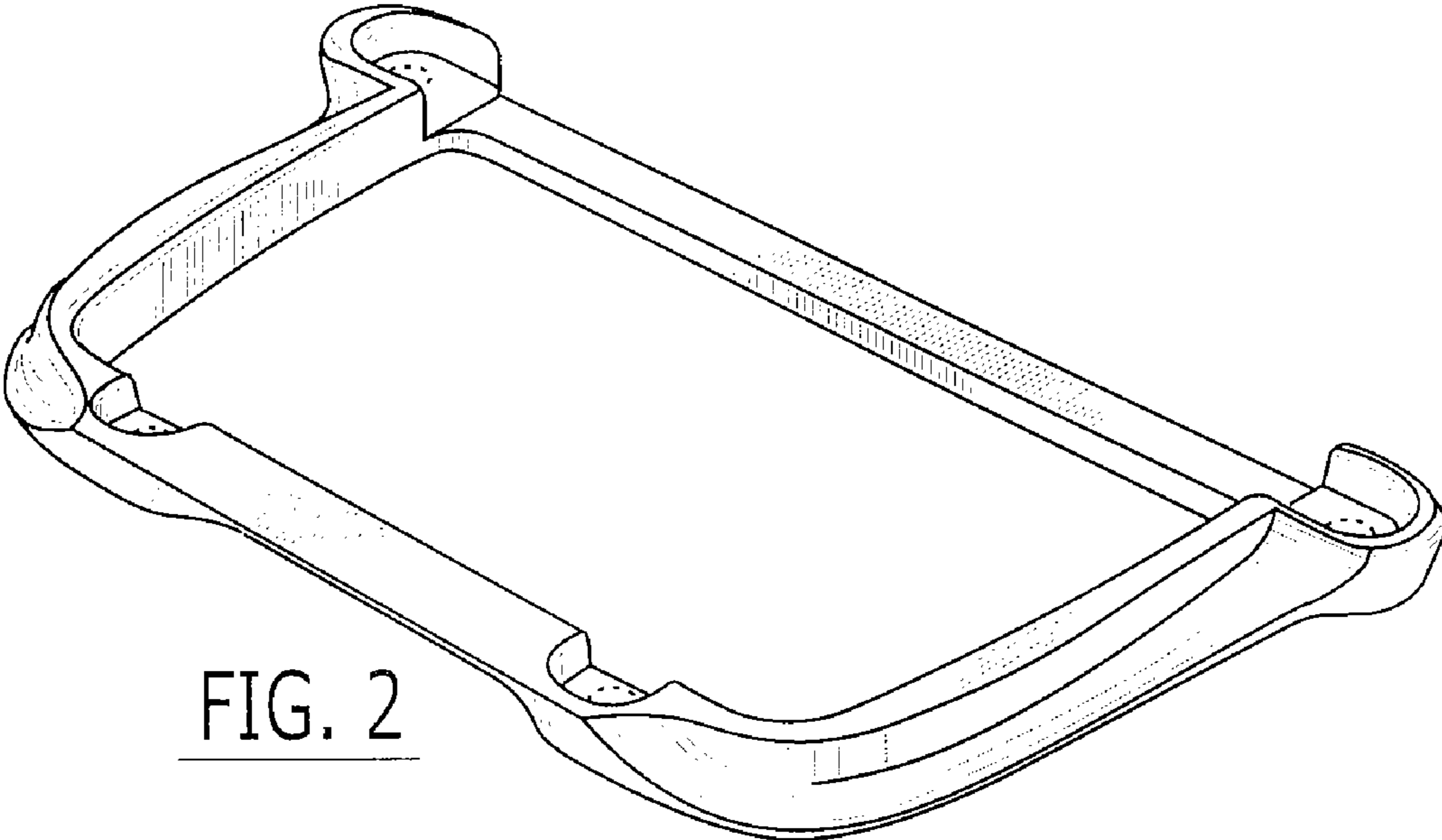


FIG. 2

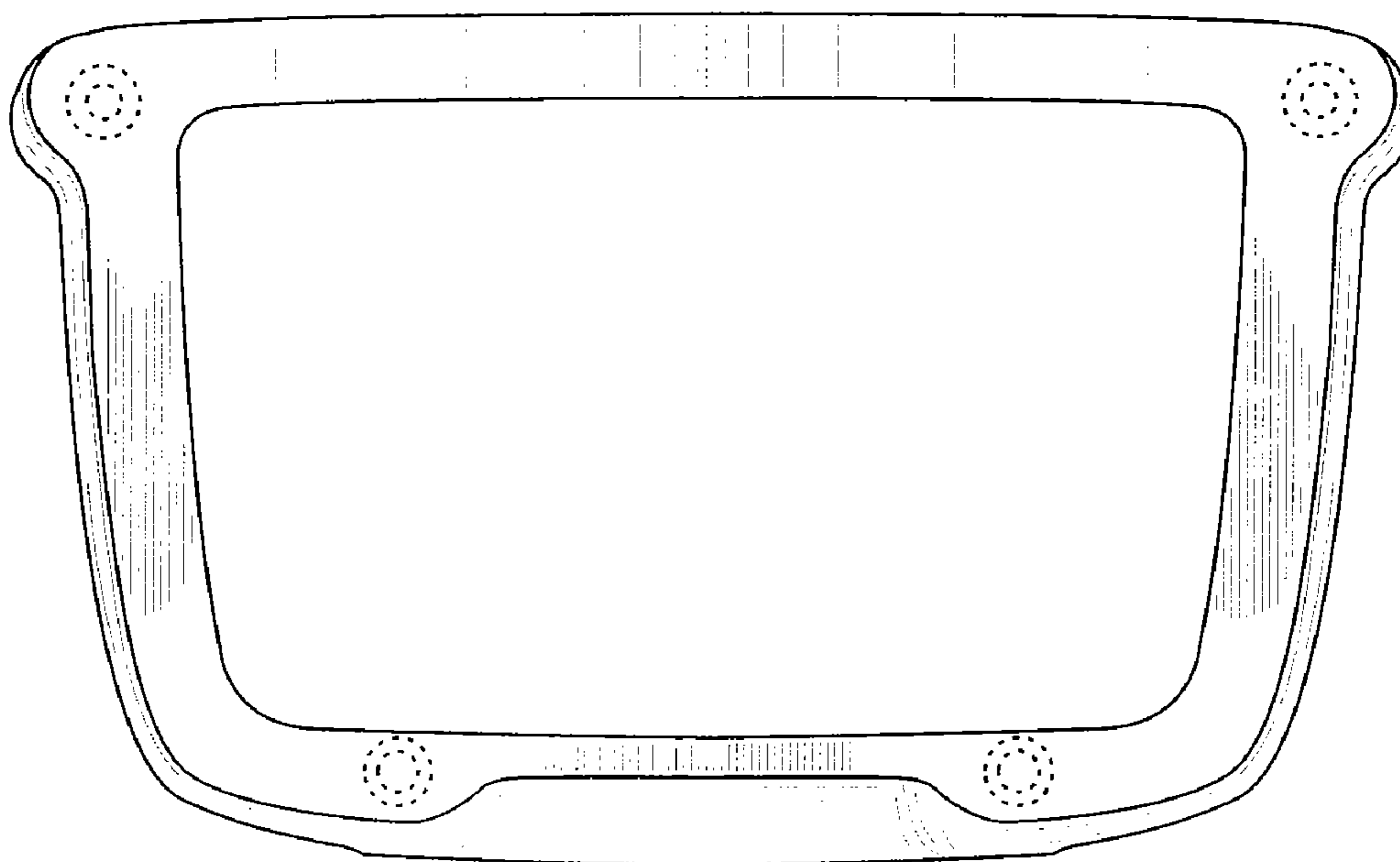


FIG. 3

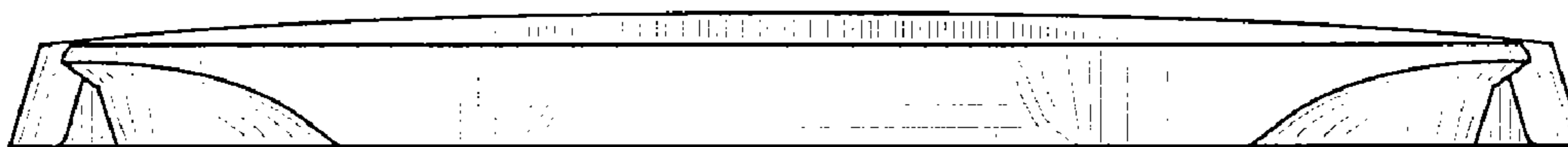


FIG. 4

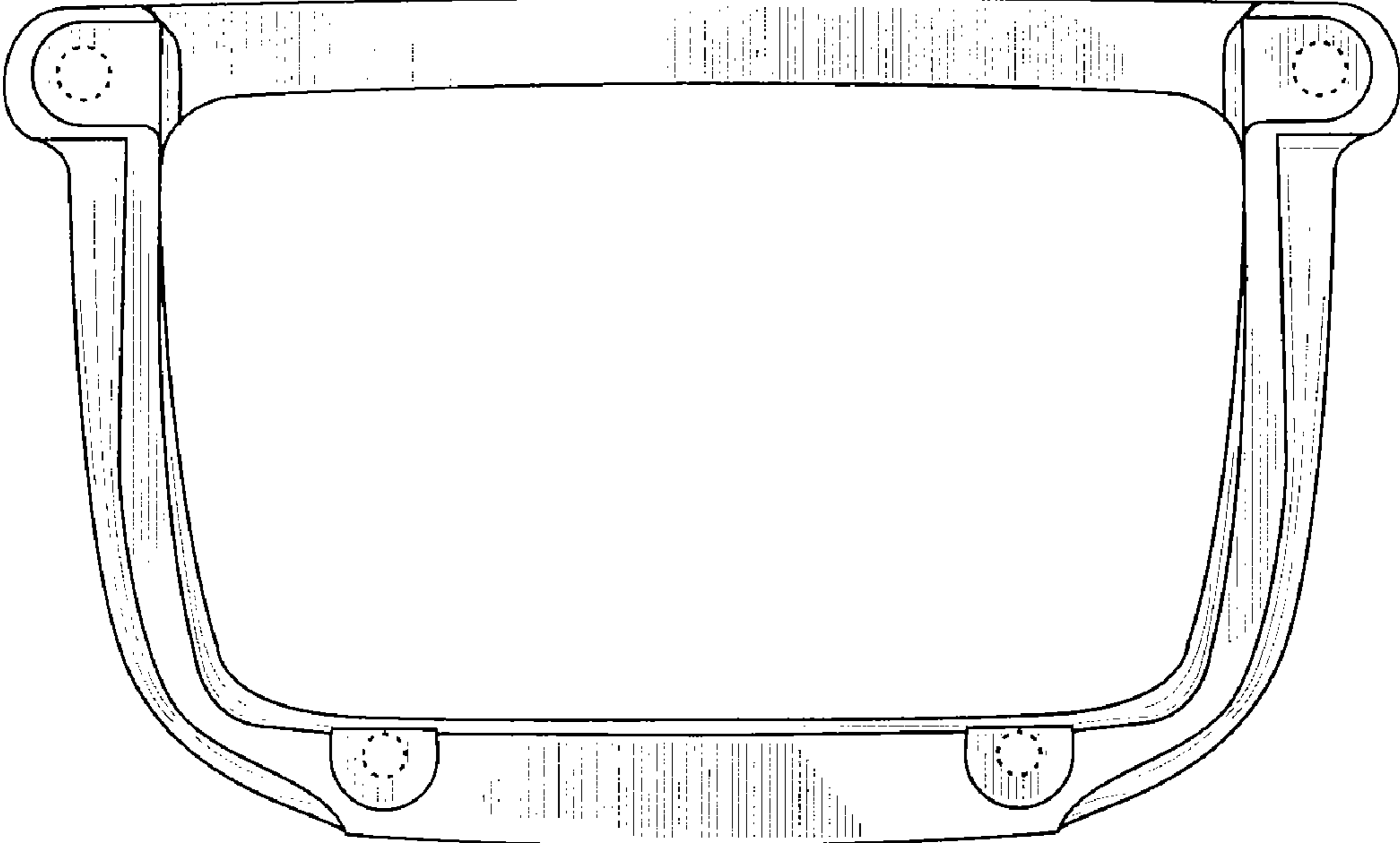


FIG. 5

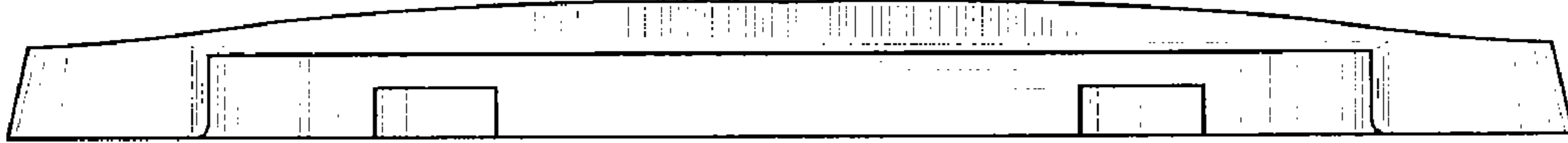


FIG. 6

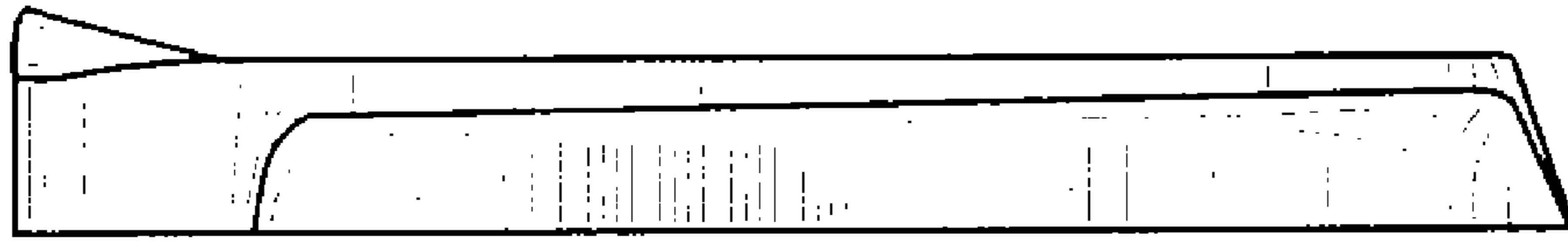


FIG. 7

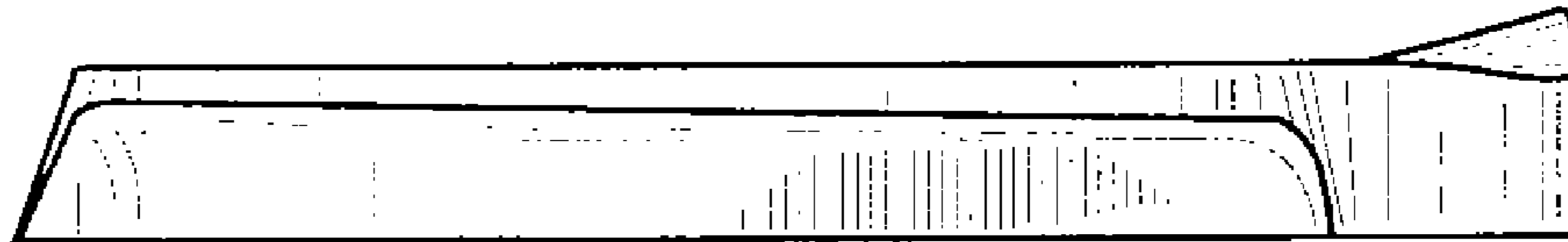


FIG. 8