



US00D573438S

(12) **United States Design Patent**
Ricereto

(10) **Patent No.:** **US D573,438 S**
(45) **Date of Patent:** **** Jul. 22, 2008**

(54) **KNOB**
(75) Inventor: **Michael Hart Ricereto**, Baltimore, MD
(US)
(73) Assignee: **Newell Operating Company**, Atlanta,
GA (US)
(**) Term: **14 Years**
(21) Appl. No.: **29/278,547**
(22) Filed: **Apr. 2, 2007**

(51) **LOC (8) Cl.** **08-06**
(52) **U.S. Cl.** **D8/310; D8/312**
(58) **Field of Classification Search** D8/300,
D8/302, 305, 307, 310–312, DIG. 1, DIG. 2;
D7/393, 394, 318; D23/250–254; 292/347,
292/336.3; 200/336, 341; 16/110.1, 412,
16/414–420, 443–446, 441, 118, 111 R, 110 R,
16/DIG. 19, DIG. 20; D13/174
See application file for complete search history.

(56) **References Cited**

U.S. PATENT DOCUMENTS

D15,754 S * 1/1885 Russell D8/312
0,436,523 A 9/1890 Glover
D022,755 S 8/1893 Russell
D28,992 S * 7/1898 Eldon D8/303
D035,238 S 10/1901 Tower
0,784,131 A 3/1905 Assel
D047,069 S 3/1915 Bums
D067,474 S 6/1925 Rosenthal
2,002,817 A 5/1935 Johnson
D098,440 S 2/1936 Martin
D100,034 S 6/1936 McCormick
D102,319 S * 12/1936 Anderson D8/312
D104,262 S 4/1937 Hewes
D115,537 S 7/1939 Bahr
D116,935 S 10/1939 Jung
D121,558 S 7/1940 Borchers
D127,190 S 5/1941 Jung
D131,089 S * 1/1942 Schlage D8/312
D131,091 S * 1/1942 Schlage D8/312

D132,605 S * 6/1942 Schlage D8/312
D152,901 S 3/1949 Petersen
D169,533 S 5/1953 Deadrick
2,688,297 A 9/1954 Livermont et al.
D178,865 S 10/1956 Clayton
2,796,627 A 6/1957 Heyer
D180,565 S * 7/1957 Schlage D8/310
D185,635 S * 7/1959 Gerlach D8/310
D186,053 S 9/1959 Clayton
2,908,155 A * 10/1959 Schumann 70/181
D188,409 S * 7/1960 Kohler D23/250
D194,968 S 4/1963 Stelma
3,096,115 A 7/1963 Patriquin et al.
D199,839 S 12/1964 Simpson
D200,953 S 4/1965 Menezes et al.
D203,147 S 12/1965 Kaiser
D203,148 S 12/1965 Kaiser
D204,128 S 3/1966 Clayton
D204,461 S 4/1966 Volker

(Continued)

Primary Examiner—Stella M. Reid
Assistant Examiner—Mark Goodwin
(74) *Attorney, Agent, or Firm*—Banner & Witcoff, Ltd.

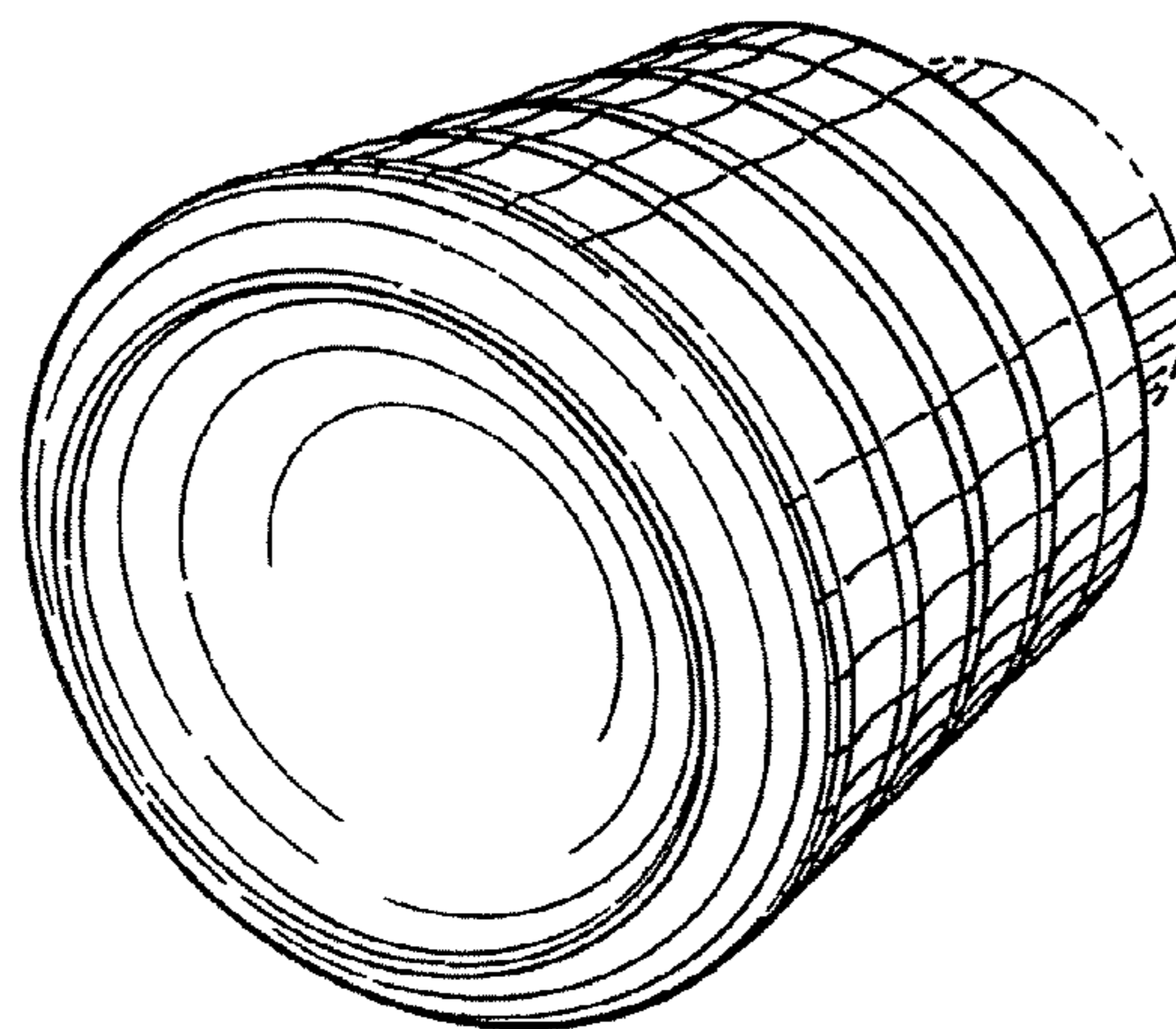
(57) **CLAIM**

I claim the ornamental design for a knob, as shown and described.

DESCRIPTION

FIG. 1 is a perspective view of a knob of the claimed invention;
FIG. 2 is a side view of the knob shown in FIG. 1, each side view being identical thereto;
FIG. 3 is a front view of the knob shown in FIG. 1; and,
FIG. 4 is a rear view of the knob shown in FIG. 1.
Features shown in broken lines in the drawings form no part of the claimed design.

1 Claim, 1 Drawing Sheet



US D573,438 S

U.S. PATENT DOCUMENTS					
D207,898 S	6/1967	Doman	D368,644 S	4/1996	Bishop
D217,431 S	5/1970	Russell	D368,842 S	4/1996	Sonnenleiter
D219,702 S	1/1971	Korol	D370,613 S	6/1996	Ainscough
D222,232 S	10/1971	Horgan	D370,614 S	6/1996	Ainscough
D224,225 S	7/1972	Doman	D371,062 S	6/1996	Ainscough
D232,621 S	9/1974	Zagaroli	D372,414 S	8/1996	De'Armond
D241,843 S	10/1976	Shames	D372,657 S	8/1996	De'Armond
D252,092 S	6/1979	Popeck	D372,659 S	8/1996	De'Armond
D252,183 S	6/1979	DeWindt	D373,065 S	8/1996	De'Armond
4,193,166 A	3/1980	Neff	D373,066 S	8/1996	De'Armond
D256,862 S	9/1980	Ryan et al.	D373,067 S	8/1996	De'Armond
D267,187 S	12/1982	Ronvik	D374,390 S	10/1996	De'Armond
D267,774 S	2/1983	Pittenger	D377,655 S	1/1997	Smith
D267,926 S	2/1983	Pittenger	D377,747 S	2/1997	De'Armond
D268,246 S	3/1983	Tegner	D381,252 S	7/1997	Chieda
D270,993 S	10/1983	Tegner	D383,371 S *	9/1997	Doughty et al. D8/310
D270,994 S	10/1983	Tegner	D386,667 S	11/1997	Smith
D271,464 S	11/1983	Carlson	D388,272 S	12/1997	Moore
D272,800 S	2/1984	Pawlow	D396,179 S	7/1998	Burns et al.
D274,035 S	5/1984	Pawlow	D396,180 S	7/1998	Burns et al.
D274,123 S	6/1984	Tegner	D399,117 S	10/1998	Burns et al.
D284,737 S	7/1986	Clayton	D399,406 S	10/1998	Decursu et al.
D290,337 S	6/1987	Savage	D399,407 S	10/1998	Burns et al.
D290,493 S	6/1987	Dragos	D399,723 S	10/1998	Burns et al.
D295,827 S	5/1988	Benjamin	D401,834 S	12/1998	Burns et al.
D296,073 S	6/1988	Rhoades	D401,835 S	12/1998	Burns et al.
D297,211 S	8/1988	Rhoades	D402,875 S *	12/1998	Bethea D8/322
D300,505 S	4/1989	Palm, Jr. et al.	D403,230 S	12/1998	Ziemer et al.
D301,681 S *	6/1989	Jans D8/312	D403,571 S	1/1999	Burns et al.
D305,862 S	2/1990	Clayton	D406,745 S	3/1999	Burns et al.
D305,863 S	2/1990	Gresens et al.	D411,728 S	6/1999	O'Neil
D312,381 S	11/1990	Clayton	D411,793 S	7/1999	O'Neil
D322,659 S	12/1991	Reid et al.	D411,794 S	7/1999	O'Neil
D323,726 S	2/1992	Murphy	D411,795 S	7/1999	O'Neil
D326,219 S	5/1992	Clayton	D413,248 S	8/1999	O'Neil
D326,990 S	6/1992	Bishop	D414,100 S	9/1999	O'Neil
D326,991 S	6/1992	Bishop	D415,257 S	10/1999	Abel
D326,992 S	6/1992	Clayton	D415,405 S	10/1999	O'Neil
D326,993 S	6/1992	Clayton	D416,465 S	11/1999	O'Neil
D326,994 S	6/1992	Bishop	D418,387 S	1/2000	O'Neil
D326,997 S	6/1992	Clayton	D418,388 S	1/2000	O'Neil
D327,196 S	6/1992	Crook et al.	D418,389 S	1/2000	O'Neil
D327,407 S	6/1992	Clayton	D418,390 S *	1/2000	Marquis D8/322
D327,420 S	6/1992	Bishop	D418,803 S	1/2000	Klimenko
D327,530 S	6/1992	Rawald	D429,455 S	8/2000	Burns et al.
D329,911 S *	9/1992	Yost D23/250	D429,991 S	8/2000	Short
D333,697 S	3/1993	Thomas	D431,442 S	10/2000	Short
5,255,413 A	10/1993	Sabo	D431,444 S	10/2000	Short
5,333,430 A	8/1994	Vidal	D431,445 S	10/2000	Short
D355,834 S	2/1995	Chieda	D431,996 S	10/2000	Short
D355,835 S	2/1995	Chieda	D434,633 S	12/2000	Short
D355,837 S	2/1995	Chieda	D434,962 S	12/2000	Short
D355,838 S	2/1995	Chieda	D434,963 S	12/2000	Short
D355,839 S	2/1995	Chieda	D435,210 S *	12/2000	Hussaini D8/310
D356,724 S	3/1995	Chieda	D435,424 S	12/2000	Short
D357,168 S	4/1995	Chieda	D435,426 S	12/2000	Short
D361,491 S	8/1995	Chieda	D437,202 S	2/2001	O'Neil
D361,492 S	8/1995	Chieda	D442,462 S	5/2001	Dewald et al.
D361,493 S	8/1995	Chieda	D492,887 S *	7/2004	Wu D8/310
D361,496 S	8/1995	Chieda	D506,378 S	6/2005	Coudurier
D361,498 S	8/1995	Chieda	D526,883 S	8/2006	Gilbert
D361,707 S	8/1995	Chieda	D541,131 S	4/2007	Ricereto et al.
D366,998 S	2/1996	Hollingsworth	D541,619 S	5/2007	Ricereto
D367,217 S	2/1996	Hollingsworth-Ainscough	D542,116 S	5/2007	Ricereto et al.
D367,417 S	2/1996	Ainscough	D542,119 S	5/2007	Ricereto
D368,014 S	3/1996	Ainscough	D542,622 S	5/2007	Ricereto
D368,638 S	4/1996	Sonnenleiter	D542,623 S	5/2007	Ricereto
D368,639 S	4/1996	Chieda	D543,088 S	5/2007	Ricereto
D368,640 S	4/1996	Sonnenleiter	D543,436 S	5/2007	Ricereto
D368,642 S	4/1996	Chieda	D545,665 S	7/2007	Ricereto et al.
D368,643 S	4/1996	Sonnenleiter			

* cited by examiner

FIG. 1

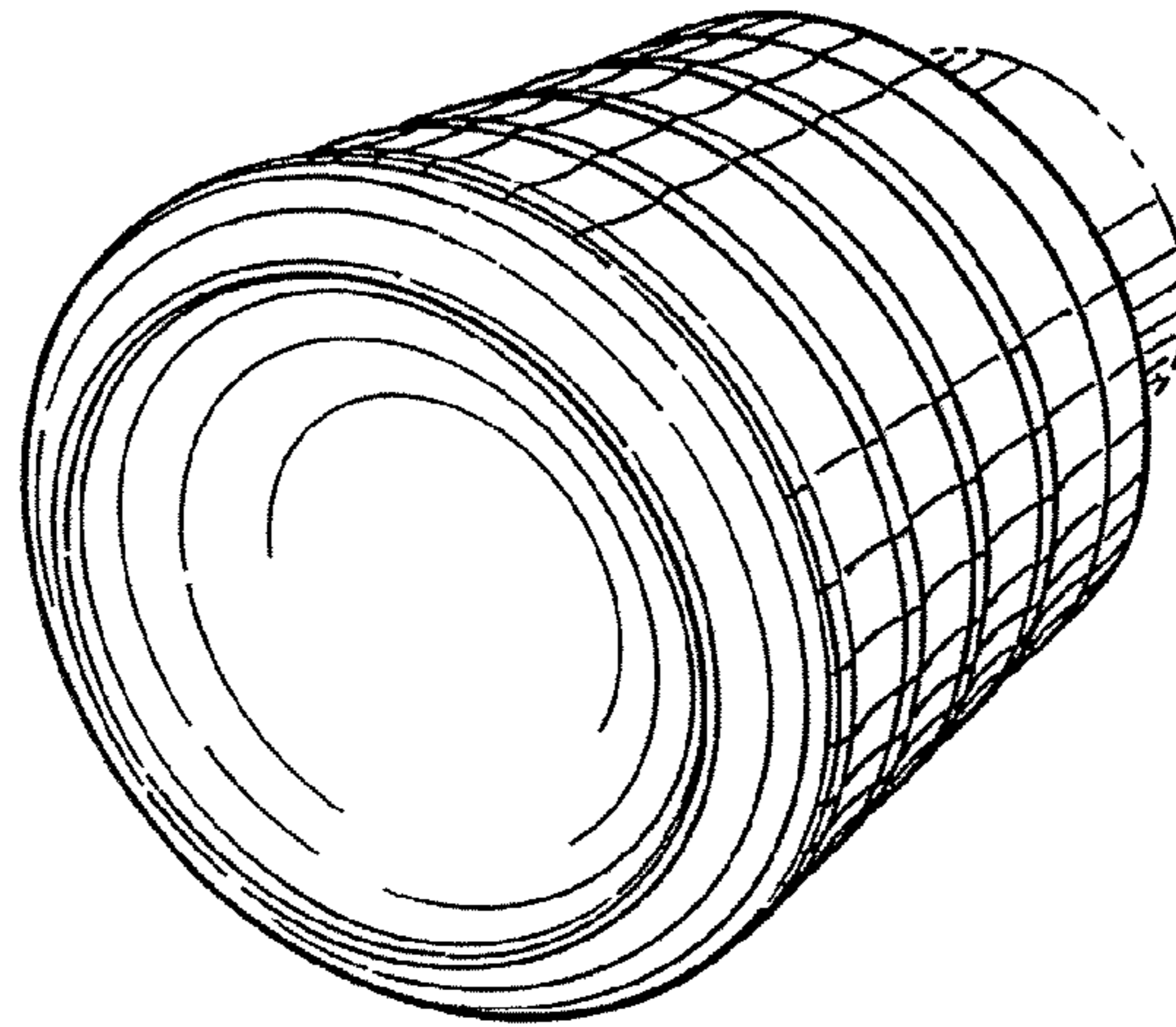


FIG. 2

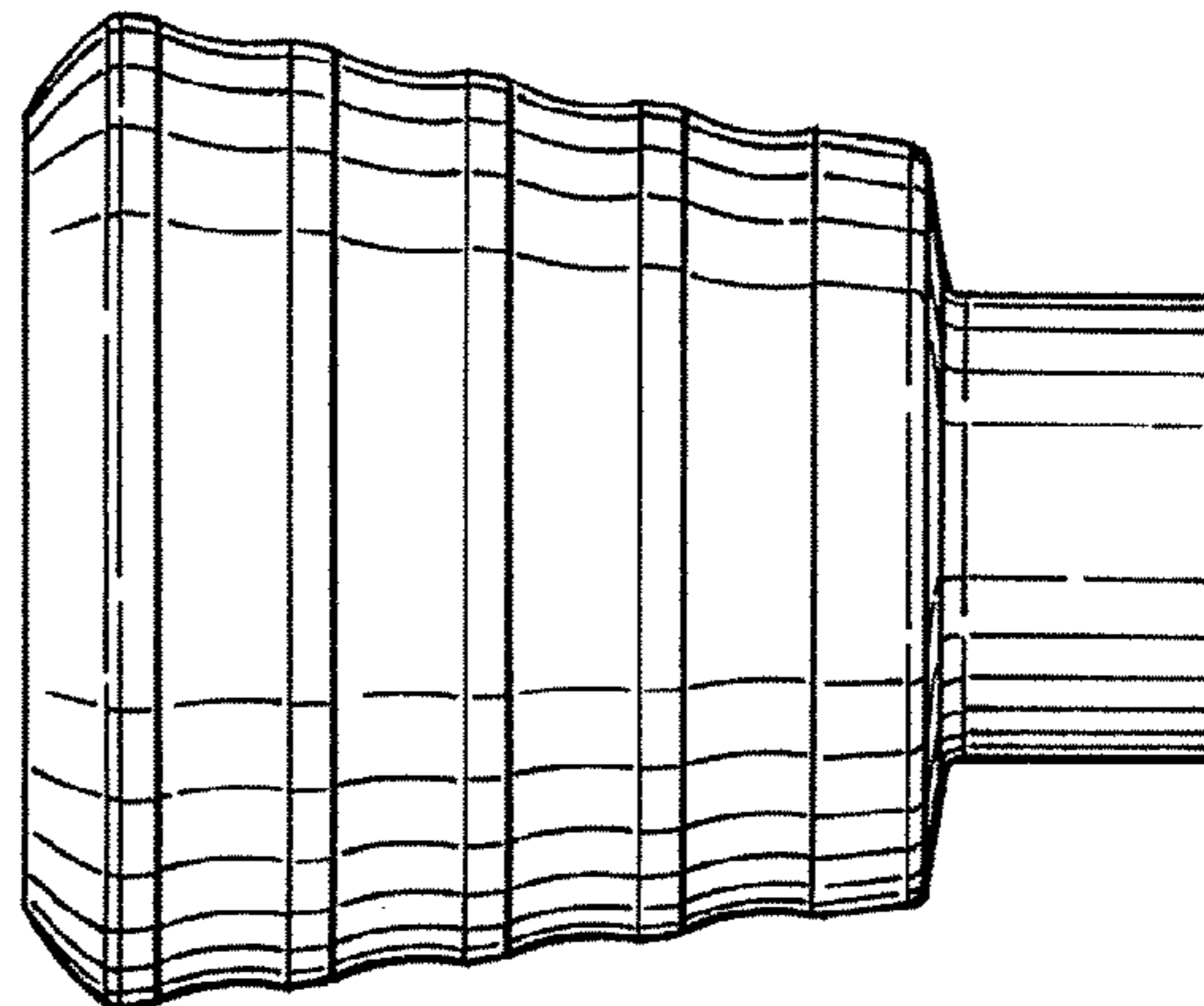


FIG. 3

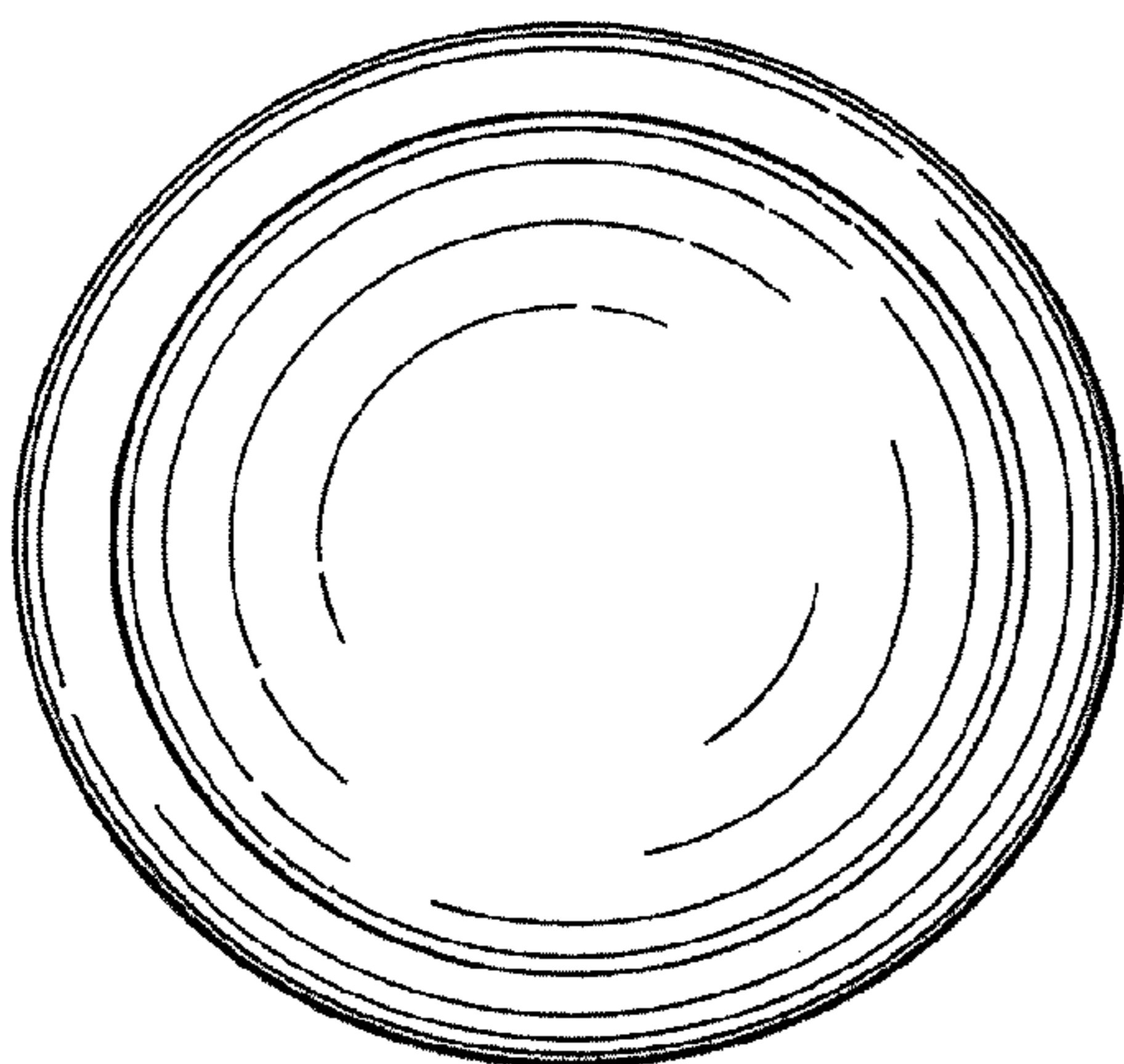


FIG. 4

