



US00D573435S

(12) **United States Design Patent**
Tsuda et al.

(10) **Patent No.:** **US D573,435 S**
(45) **Date of Patent:** **** Jul. 22, 2008**

(54) **FOLDING MULTIPURPOSE HAND TOOL**

DESCRIPTION

(75) Inventors: **Hollan Akio Tsuda**, Portland, OR (US);
Blair Scott Barnes, Portland, OR (US)

(73) Assignee: **Leatherman Tool Group, Inc.**,
Portland, OR (US)

(**) Term: **14 Years**

(21) Appl. No.: **29/249,427**

(22) Filed: **Oct. 5, 2006**

Related U.S. Application Data

(63) Continuation-in-part of application No. 11/410,439,
filed on Apr. 25, 2006.

(51) **LOC (8) Cl.** **08-03**

(52) **U.S. Cl.** **D8/99**

(58) **Field of Classification Search** D8/14,
D8/95, 96, 97, 98, 99, 101, 105, 107; 30/155,
30/156, 157, 158, 159, 160; 7/118, 148
See application file for complete search history.

(56) **References Cited**

U.S. PATENT DOCUMENTS

226,910 A 4/1880 Friebertshauser

(Continued)

FOREIGN PATENT DOCUMENTS

EP 0 100 377 A1 2/1984

(Continued)

Primary Examiner—Philip S Hyder

(74) *Attorney, Agent, or Firm*—Alston & Bird LLP

(57) **CLAIM**

The ornamental design for the folding multipurpose hand tool, as shown and described.

FIG. 1 is a perspective view of a folding multipurpose hand tool showing my new design;

FIG. 2 is a right side elevation view thereof;

FIG. 3 is a left side elevation view thereof;

FIG. 4 is a top plan view thereof;

FIG. 5 is a bottom plan view thereof;

FIG. 6 is a front elevation view thereof;

FIG. 7 is a rear elevation view thereof;

FIG. 8 is another left side elevation view thereof with a saw portion in a partially folded position;

FIG. 9 is yet another left side elevation view thereof with a saw portion and a knife portion in partially folded positions;

FIG. 10 is yet another left side elevation view thereof with a saw portion and a knife portion in folded positions and a gut hook portion in an extended position;

FIG. 11 is a perspective view of a modified embodiment of the folding multipurpose hand tool;

FIG. 12 is a right side elevation view thereof;

FIG. 13 is a left side elevation view thereof;

FIG. 14 is a top plan view thereof;

FIG. 15 is a bottom plan view thereof;

FIG. 16 is a front elevation view thereof;

FIG. 17 is a rear elevation view thereof;

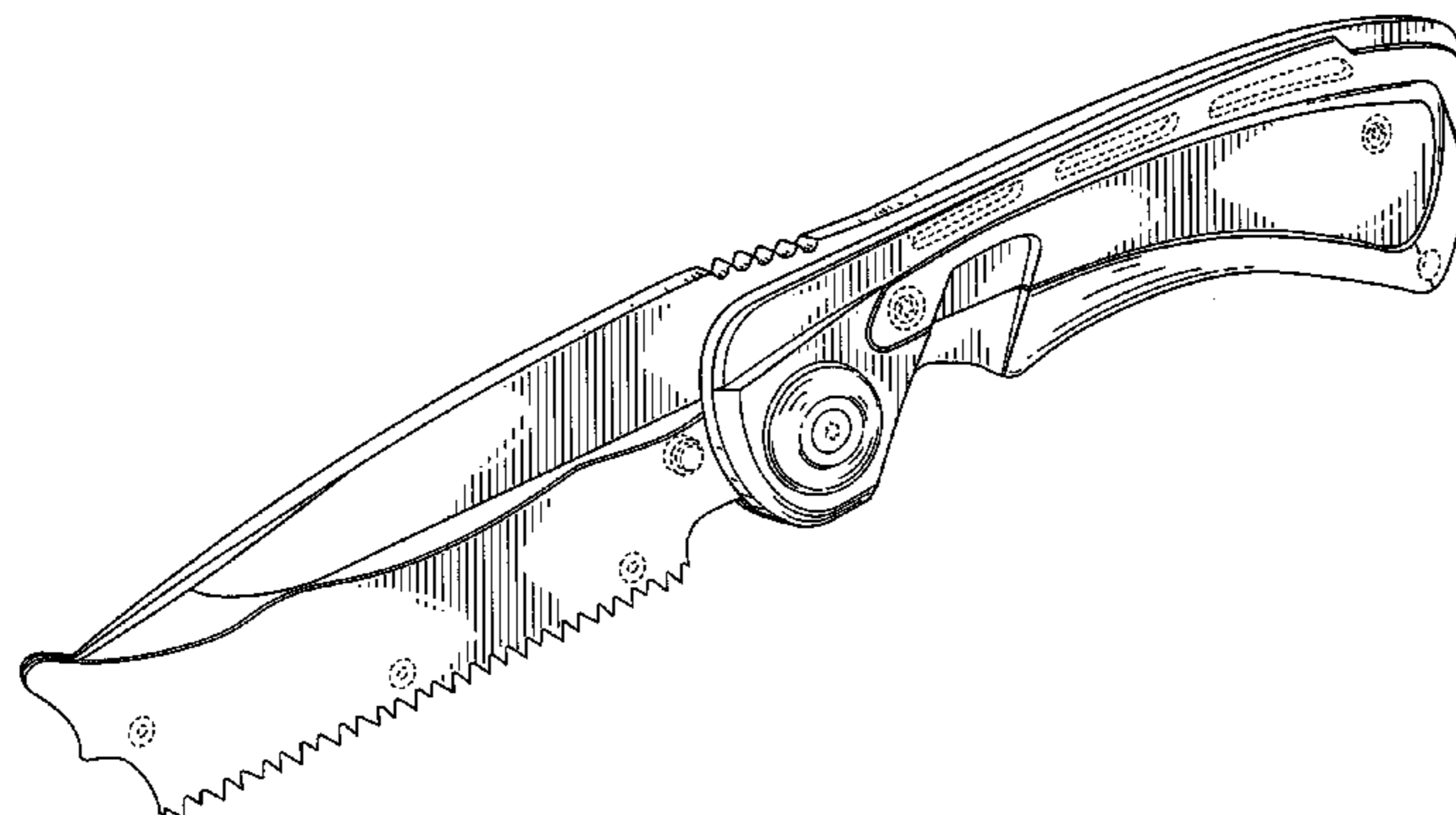
FIG. 18 is another left side elevation view thereof with a saw portion in a partially folded position;

FIG. 19 is yet another left side elevation view thereof with a saw portion and a knife portion in partially folded positions; and,

FIG. 20 is yet another left side elevation view thereof with a saw portion and a knife portion in folded positions and a gut hook portion in an extended position.

The broken lines shown herein are for illustrative purposes only and form no part of the claimed design.

1 Claim, 14 Drawing Sheets



US D573,435 S

U.S. PATENT DOCUMENTS					
234,731 A	11/1880	Slayton	5,755,035 A	5/1998	Weatherly
338,251 A	3/1886	Crandall et al.	5,765,247 A	6/1998	Seber et al.
404,870 A	6/1889	Schenck	5,781,950 A	7/1998	Swinden et al.
551,052 A	12/1895	Shonnard et al.	5,802,722 A	9/1998	Maxey et al.
749,230 A	1/1904	Severance	5,809,600 A	9/1998	Cachot
969,909 A	9/1910	Schrade	5,815,927 A	10/1998	Collins
1,012,555 A	12/1911	Irick	5,822,867 A	10/1998	Sakai
1,454,665 A	5/1923	Bobek	5,826,340 A	10/1998	Hull
1,743,022 A	1/1930	Carman	5,887,347 A	3/1999	Gibbs
1,828,121 A	10/1931	Adam et al.	5,896,665 A	4/1999	Harris
2,250,290 A	7/1941	Berg	D411,429 S *	6/1999	Gringer D8/95
2,263,415 A	11/1941	Berg et al.	5,964,035 A	10/1999	Poehlmann
2,343,175 A	2/1944	Evinger	5,964,036 A	10/1999	Centofante
3,875,600 A	4/1975	Reveaux	5,966,816 A	10/1999	Roberson
3,942,249 A	3/1976	Poehlmann	5,979,059 A	11/1999	Leatherman et al.
4,124,939 A	11/1978	Onoue	6,079,106 A	6/2000	Vallotton
4,148,140 A	4/1979	Lile	6,101,724 A	8/2000	Halligan
4,170,061 A	10/1979	Henry	6,105,255 A	8/2000	Cheng
4,272,887 A	6/1981	Poehlmann	6,112,352 A	9/2000	Legg
4,347,665 A	9/1982	Glesser	6,145,202 A	11/2000	Onion
4,404,748 A	9/1983	Wiethoff	6,145,851 A	11/2000	Heber
4,439,922 A	4/1984	Sassano	D436,014 S *	1/2001	Glesser D8/99
4,442,559 A	4/1984	Collins	6,170,104 B1	1/2001	Seber et al.
4,451,982 A	6/1984	Collins	6,212,779 B1	4/2001	Mitchell
4,502,221 A	3/1985	Pittman	6,223,372 B1	5/2001	Barber
4,524,518 A	6/1985	West	6,233,769 B1	5/2001	Seber et al.
4,541,175 A	9/1985	Boyd et al.	6,256,887 B1	7/2001	Osborne
4,563,813 A	1/1986	Fortenberry	6,282,997 B1	9/2001	Frazer
4,570,341 A	2/1986	Konneker	6,286,397 B1	9/2001	Taggart et al.
4,604,803 A	8/1986	Sawby	6,308,420 B1	10/2001	Moser
4,606,123 A	8/1986	Wrench	D454,769 S	3/2002	Gardiner et al.
4,607,432 A	8/1986	Montgomery	6,360,443 B1	3/2002	Remus
4,651,419 A	3/1987	Reed, Jr.	6,371,841 B1	4/2002	Ray
4,719,700 A	1/1988	Taylor, Jr.	6,389,625 B1	5/2002	Rivera
4,741,106 A	5/1988	Yamagishi	6,397,476 B1	6/2002	Onioni
4,750,267 A	6/1988	Boyd	6,397,477 B1	6/2002	Collins
4,776,094 A	10/1988	Glesser	D461,386 S	8/2002	Ray
4,805,303 A	2/1989	Gibbs	6,438,848 B1	8/2002	McHenry et al.
4,811,486 A	3/1989	Cunningham	6,438,849 B1	8/2002	Wonderley
4,837,932 A	6/1989	Elsener	6,442,843 B1	9/2002	Jue et al.
4,869,011 A	9/1989	Whiting et al.	6,490,797 B1	12/2002	Lake et al.
4,896,424 A	1/1990	Walker	D474,095 S	5/2003	Luquire
4,901,439 A	2/1990	Boyd, Jr.	6,560,873 B1	5/2003	Ortner et al.
4,918,820 A	4/1990	Korb et al.	6,574,869 B1	6/2003	McHenry et al.
4,947,552 A	8/1990	Barnes	6,591,504 B2	7/2003	Onion
4,979,301 A	12/1990	Walker	6,594,906 B1	7/2003	Sakai et al.
5,044,079 A	9/1991	Gibbs	6,618,946 B2	9/2003	Seraphin
5,060,379 A	10/1991	Neely	6,618,947 B1	9/2003	Gardiner et al.
5,095,624 A	3/1992	Ennis	D480,492 S	10/2003	Wu
5,111,581 A	5/1992	Collins	D482,257 S *	11/2003	Taylor et al. D8/99
5,245,721 A	9/1993	Lowe et al.	D482,258 S *	11/2003	Taylor et al. D8/99
5,251,353 A	10/1993	Lin	6,643,935 B1	11/2003	Lowe, Sr. et al.
5,280,659 A	1/1994	Park	6,651,344 B2	11/2003	Cheng
5,293,690 A	3/1994	Cassady	D484,770 S	1/2004	Green
5,331,741 A	7/1994	Taylor, Jr.	6,675,419 B2	1/2004	Rivera
5,349,753 A	9/1994	Gaffney	6,675,484 B2	1/2004	McHenry et al.
5,400,509 A	3/1995	Collins	6,684,510 B1	2/2004	Collins
D357,166 S *	4/1995	Concari D8/107	6,711,820 B2	3/2004	Chen
5,437,101 A	8/1995	Collins	7,000,323 B1	2/2006	Hatcher et al.
5,450,670 A	9/1995	Sakai	D520,842 S *	5/2006	Pohl D8/99
D365,266 S	12/1995	Hasegawa	D553,469 S *	10/2007	Onion D8/99
5,495,673 A	3/1996	Gardiner et al.	2001/0016987 A1	8/2001	Chen
5,502,895 A	4/1996	Lemaire	2002/0029426 A1	3/2002	Seber et al.
5,515,610 A	5/1996	Levin et al.	2002/0095792 A1	7/2002	Jue et al.
5,537,750 A	7/1996	Seber et al.	2004/0020057 A1	2/2004	Hughes
D378,489 S	3/1997	Poehlmann			
5,628,117 A	5/1997	Glesser			
5,661,908 A *	9/1997	Chen 30/125			
5,689,885 A	11/1997	Walston			
5,692,304 A	12/1997	Campbell			
5,737,841 A	4/1998	McHenry et al.			

US D573,435 S

Page 3

2004/0020058 A1 2/2004 Vallotton
2004/0064953 A1 4/2004 Cheng
2004/0078981 A1 4/2004 Cheng
2005/0223563 A1 10/2005 VanHoy et al.
2006/0016080 A1 1/2006 Frazer

FOREIGN PATENT DOCUMENTS

EP 0 714 736 A1 6/1996
GB 2 190 321 A 11/1987

* cited by examiner

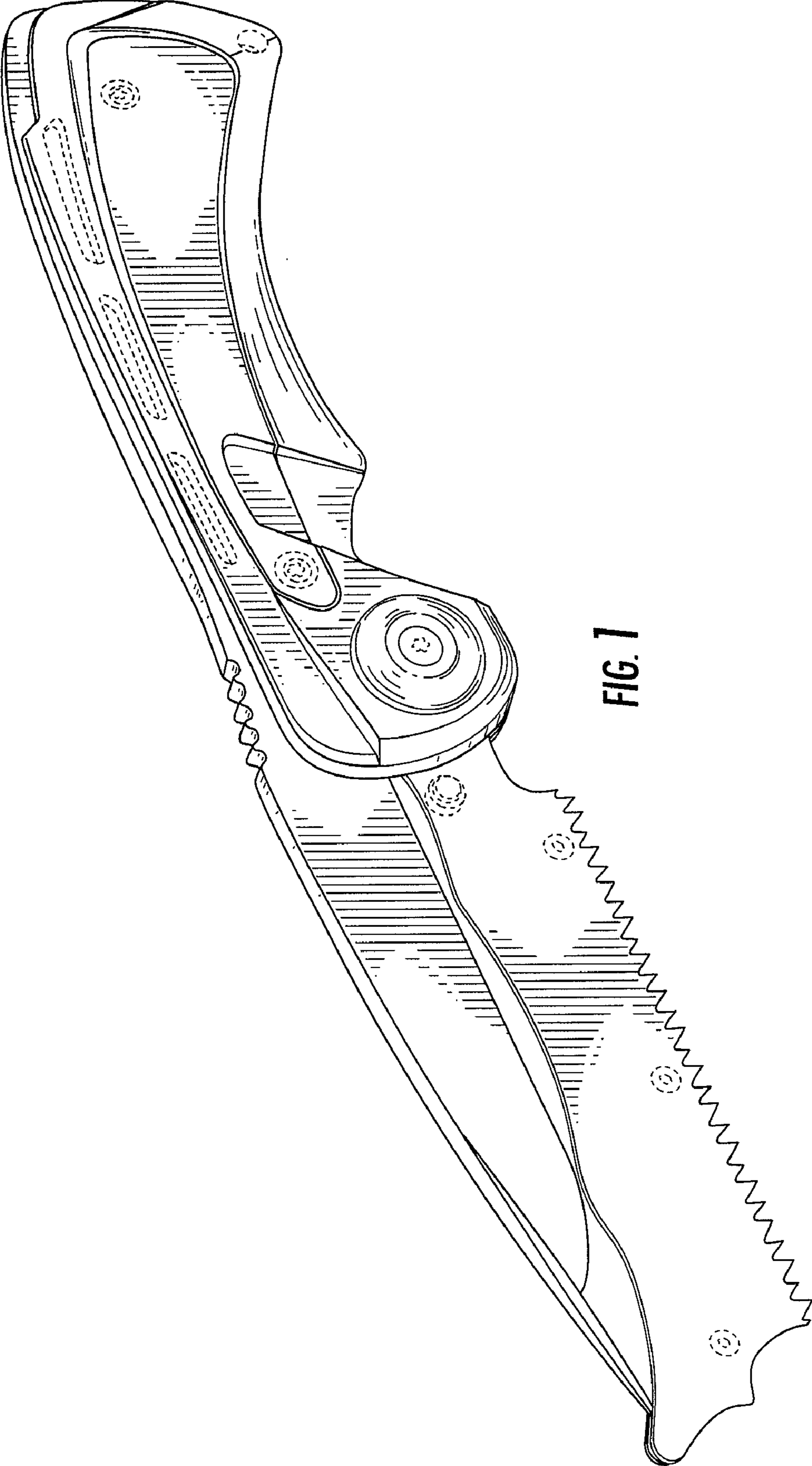


FIG. 1



FIG. 2

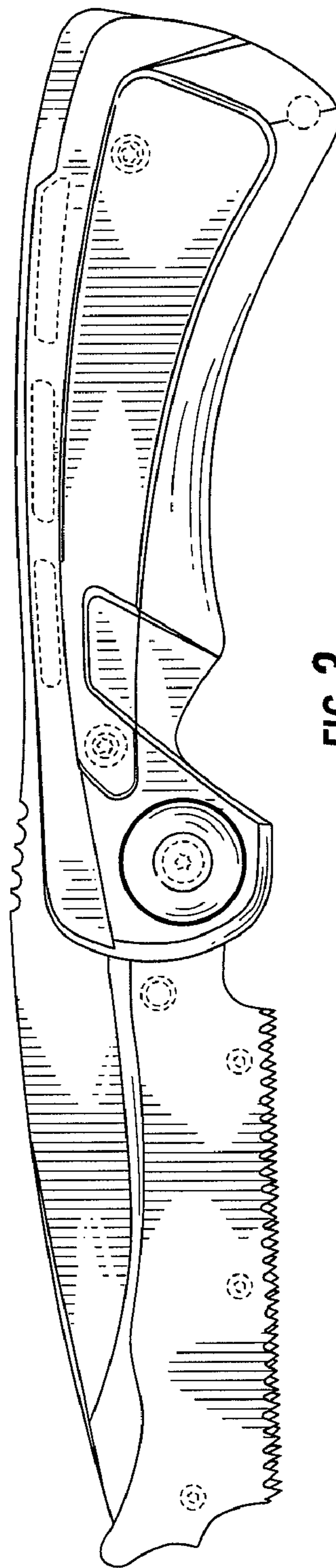


FIG. 3

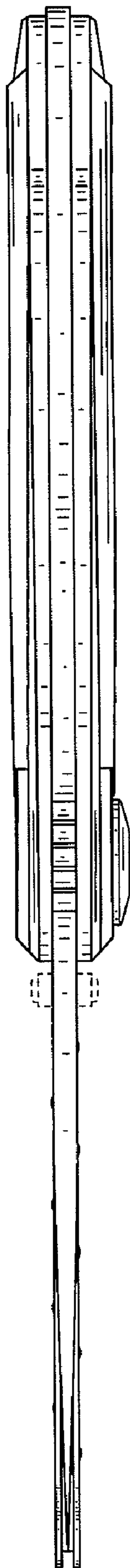


FIG. 4

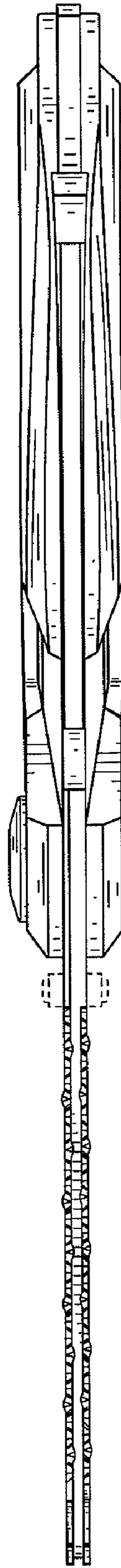


FIG. 5

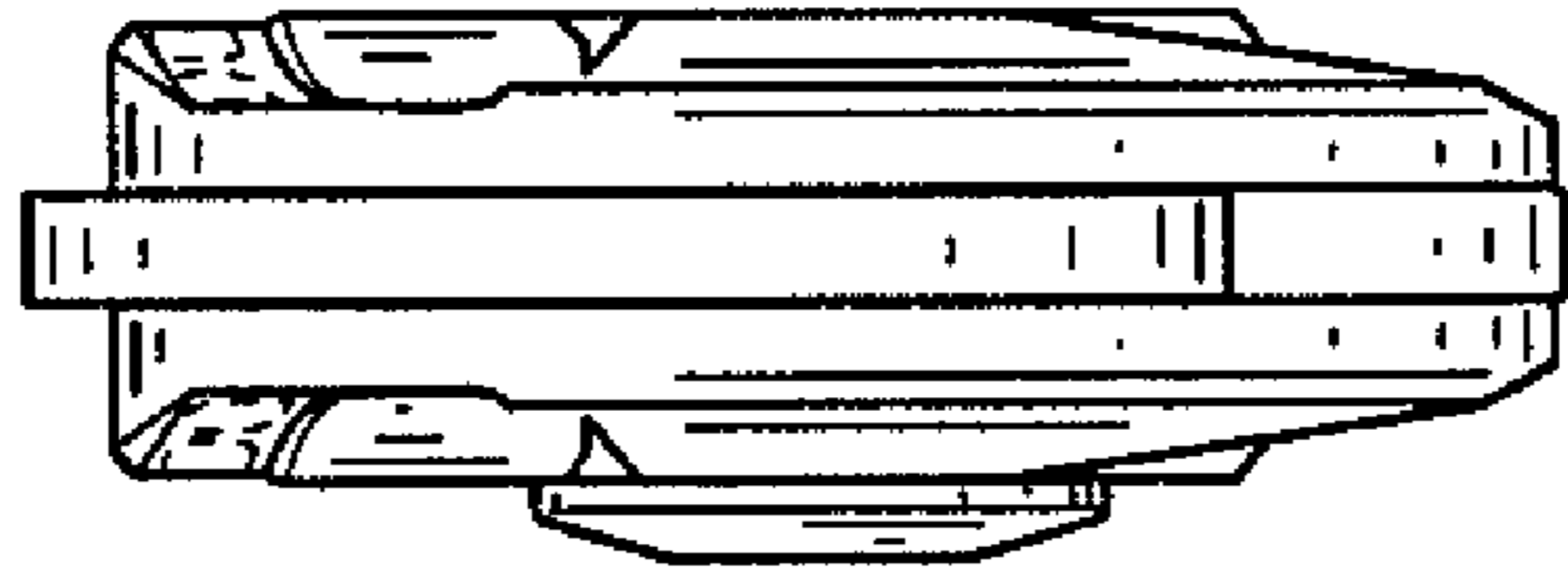


FIG. 7

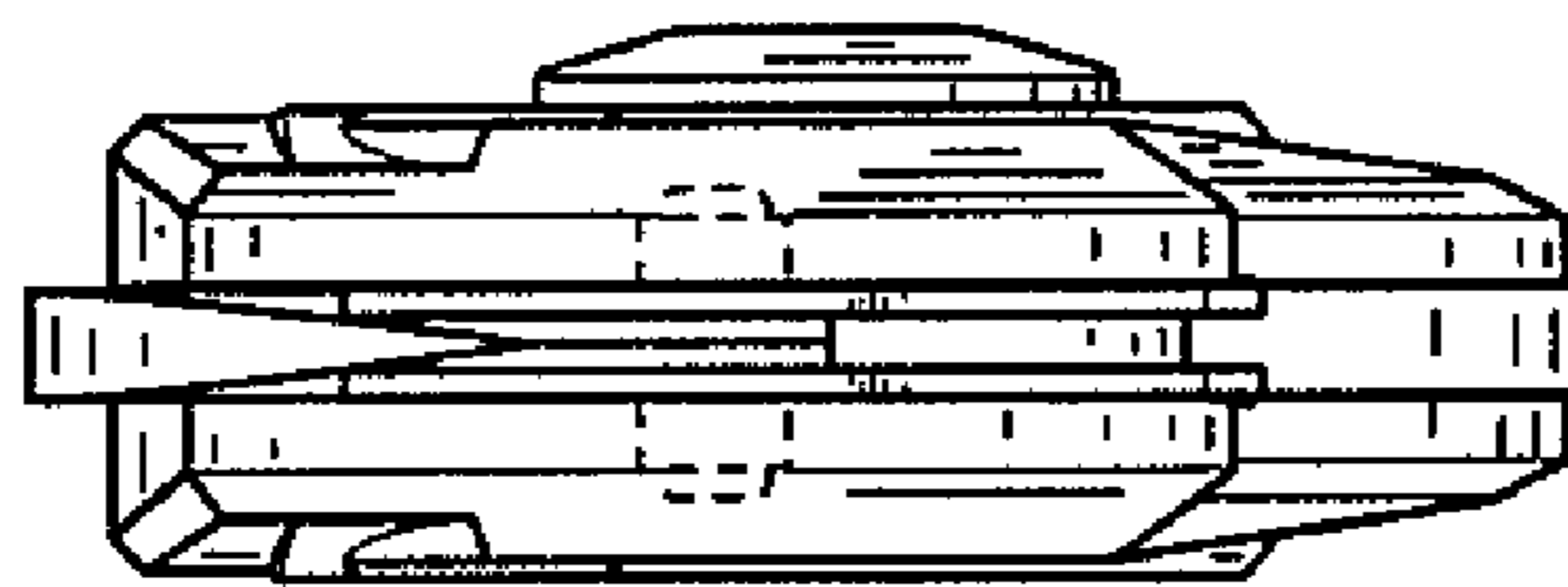


FIG. 6

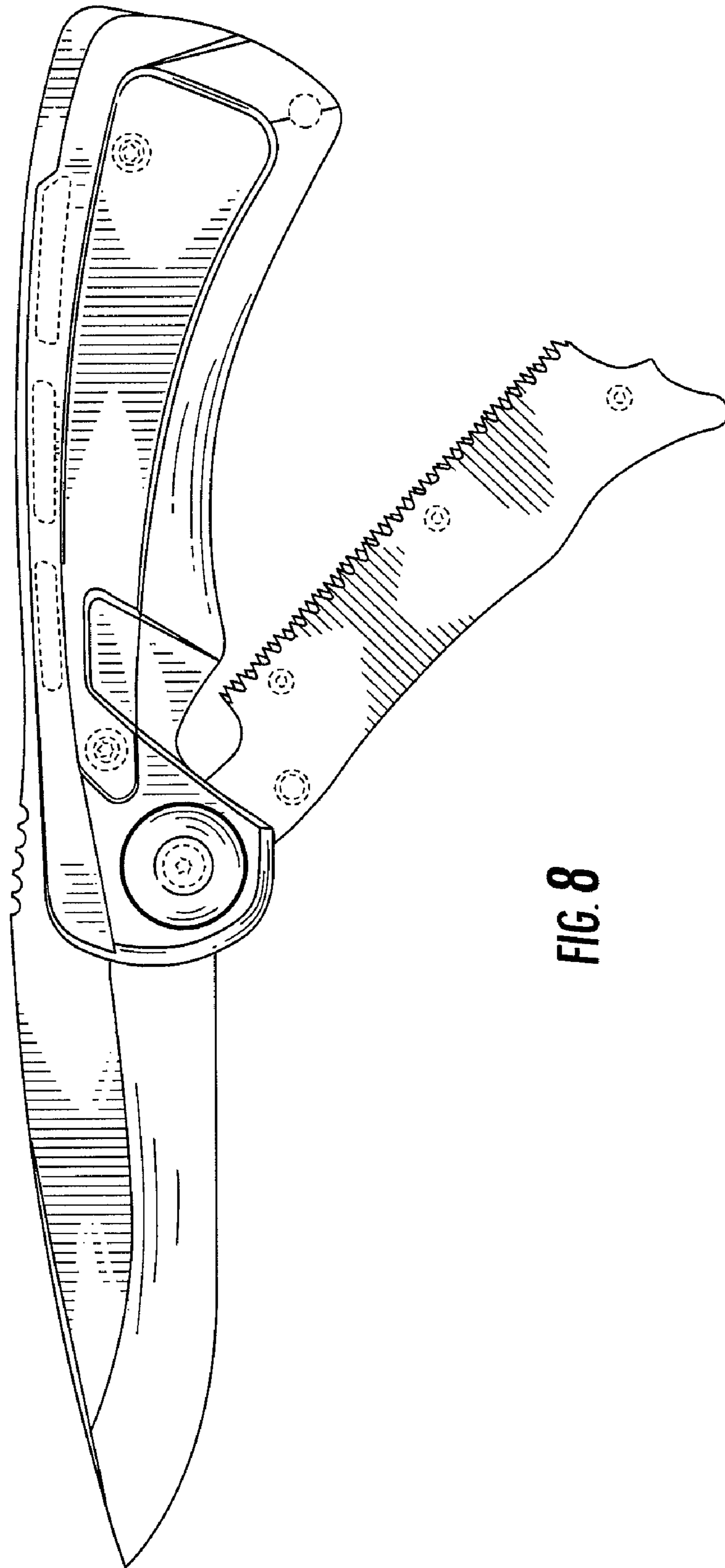


FIG. 8

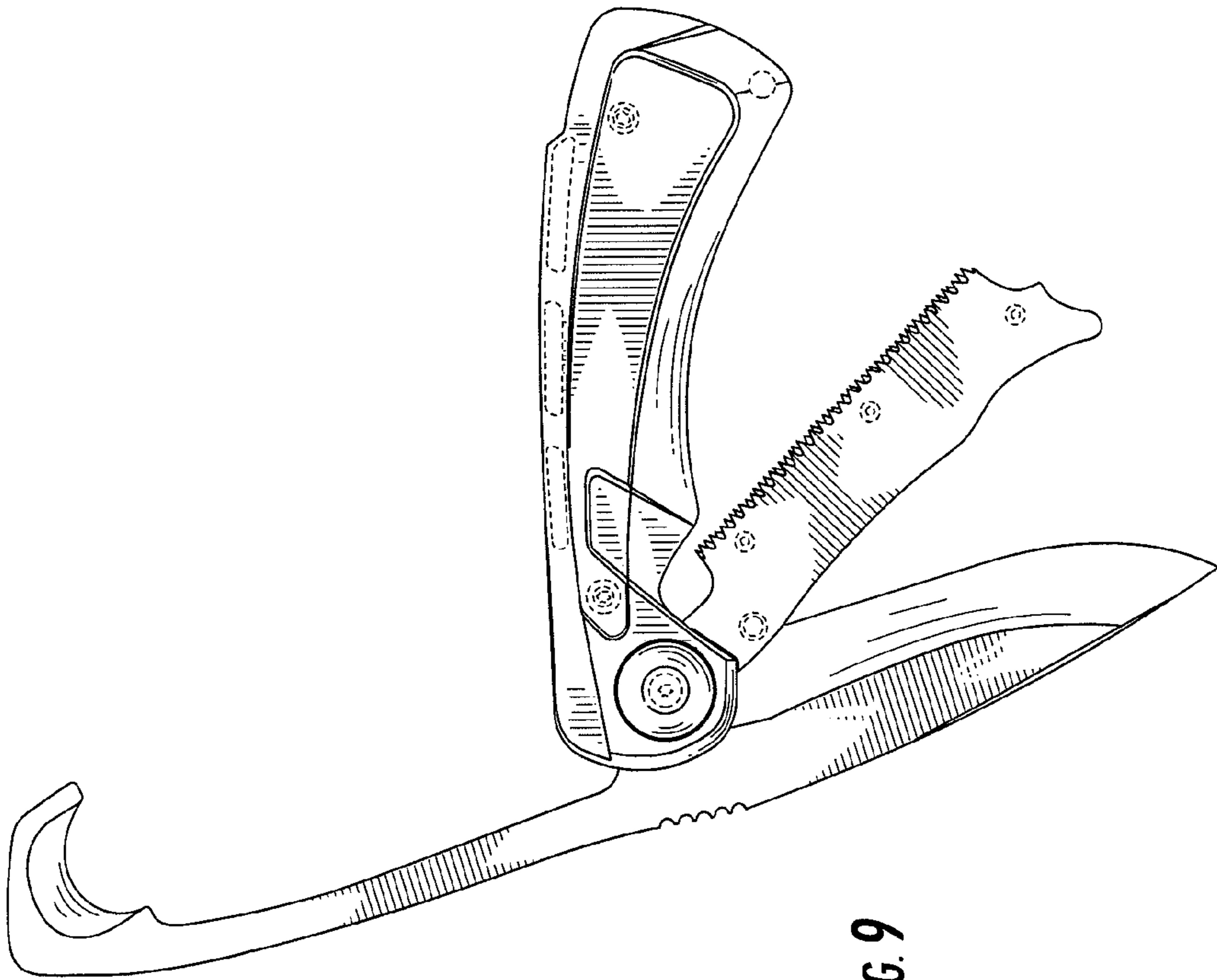


FIG. 9

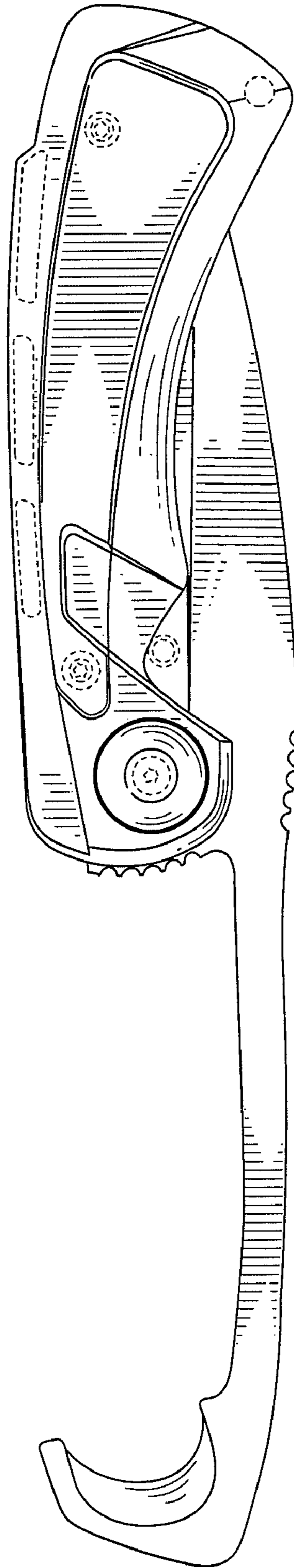


FIG. 10

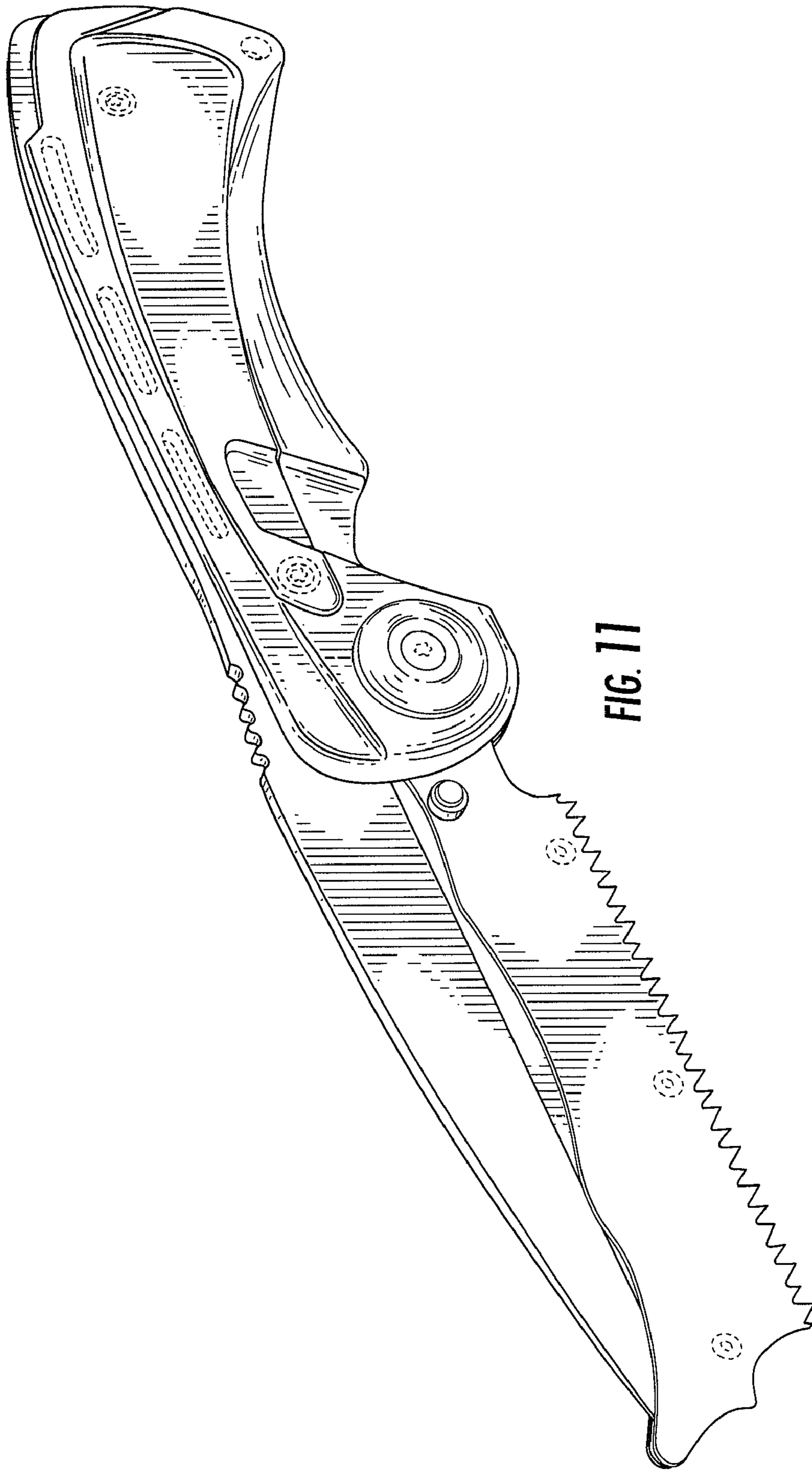




FIG. 12

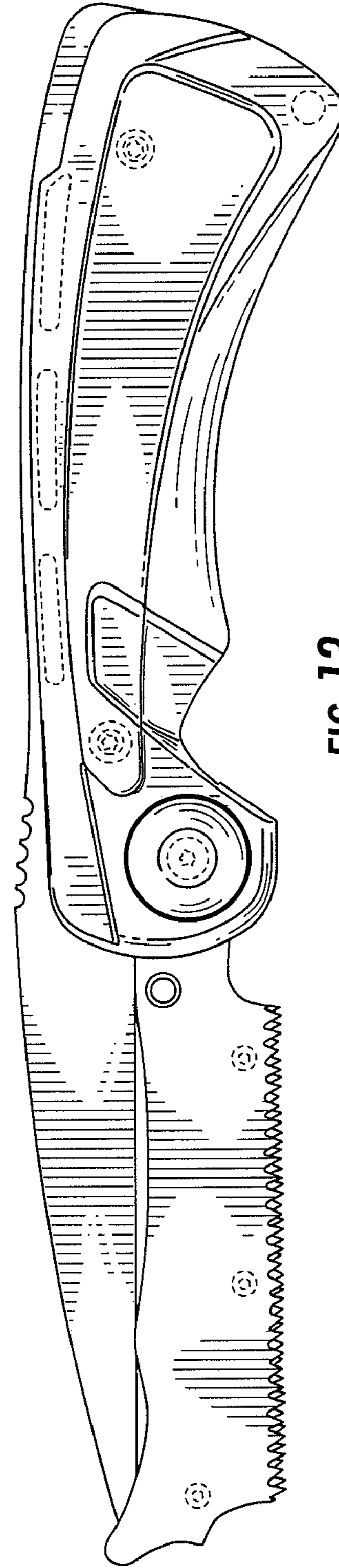


FIG. 13

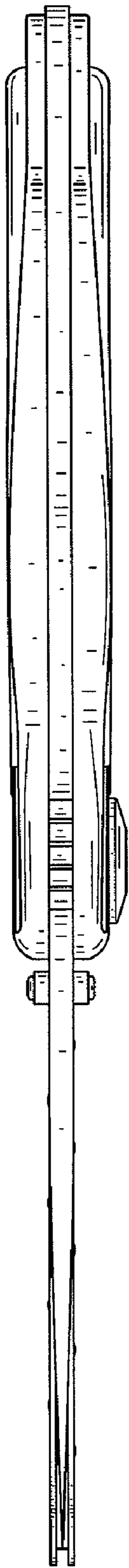


FIG. 14

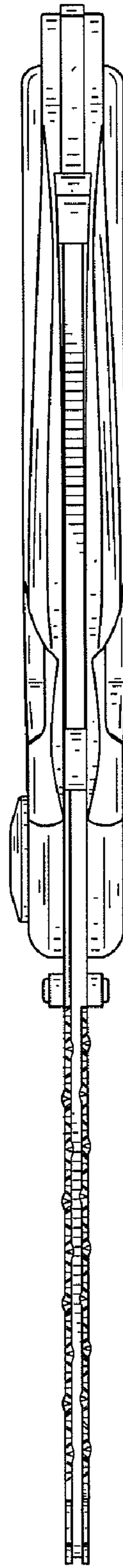


FIG. 15

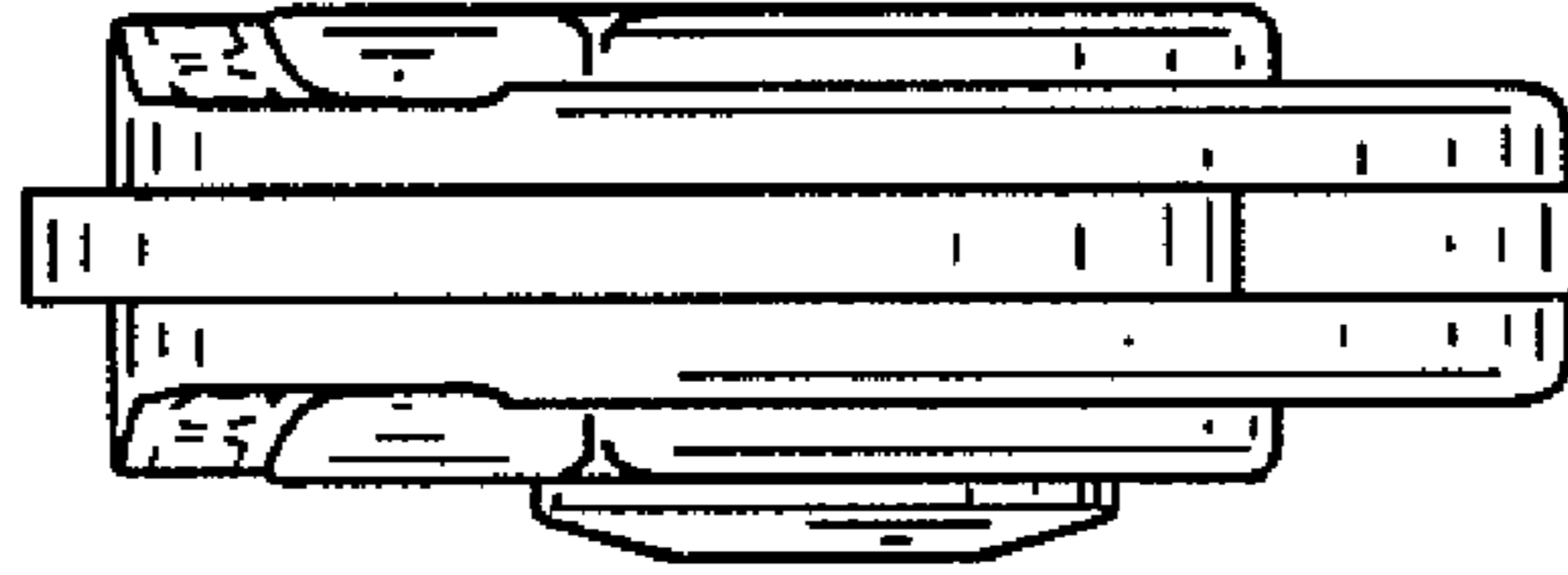


FIG. 17

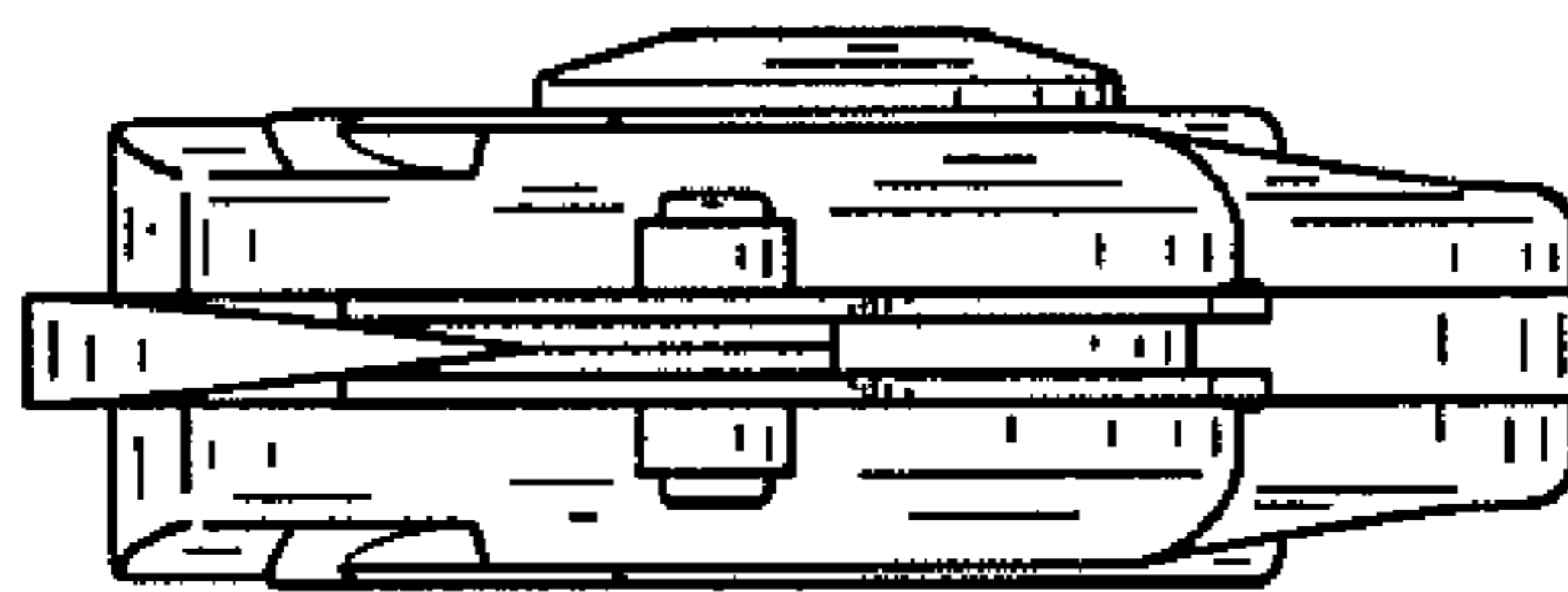


FIG. 16

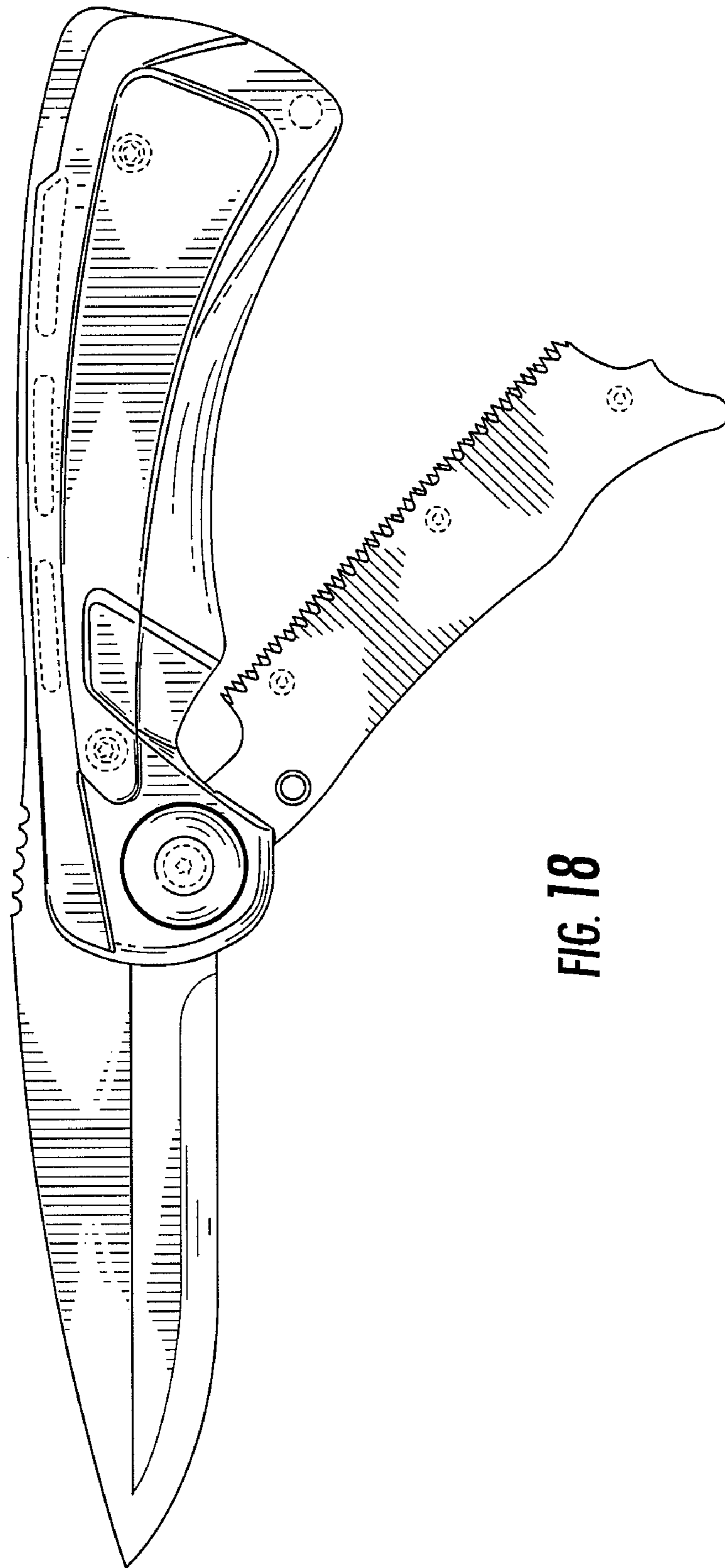


FIG. 18

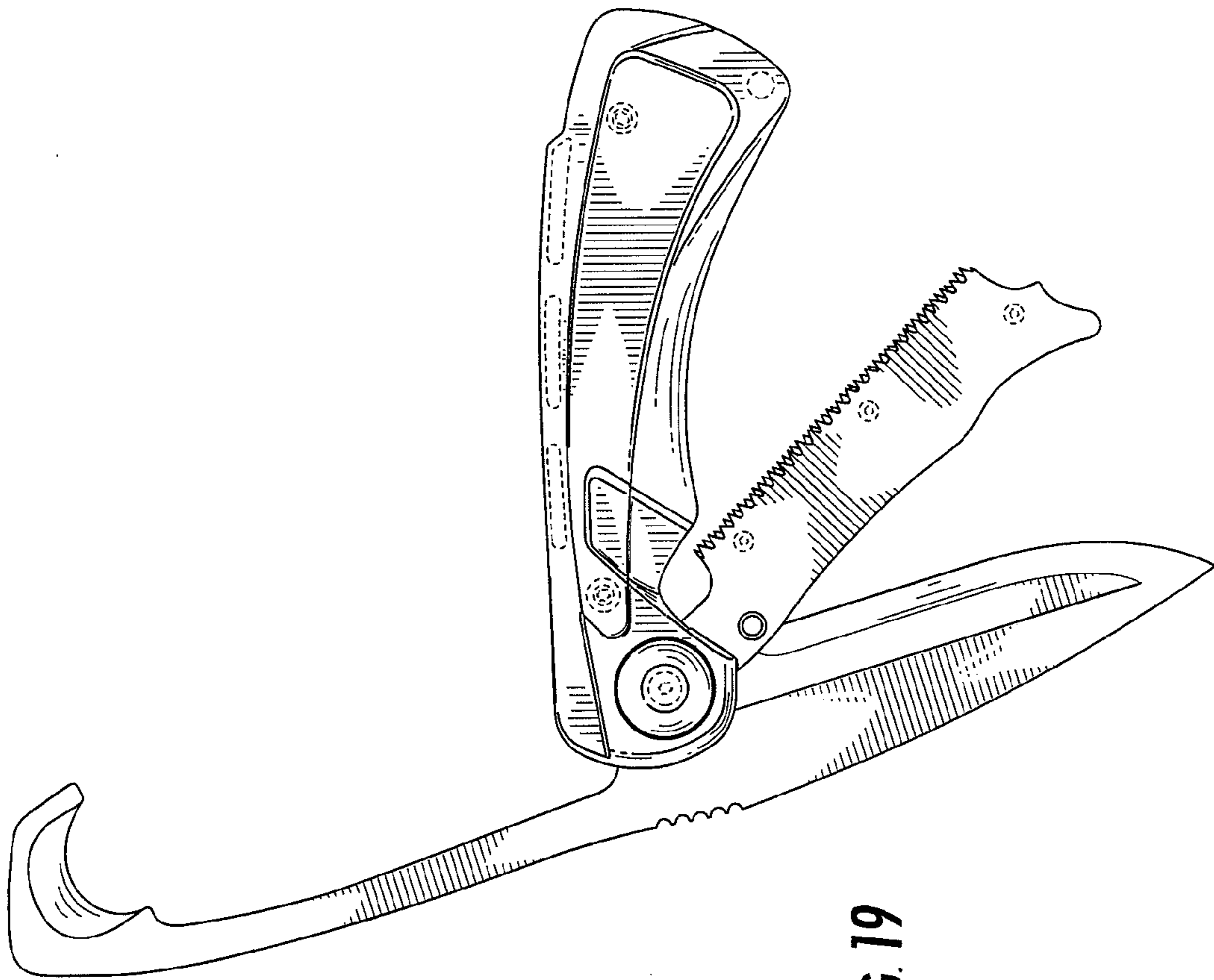


FIG. 19

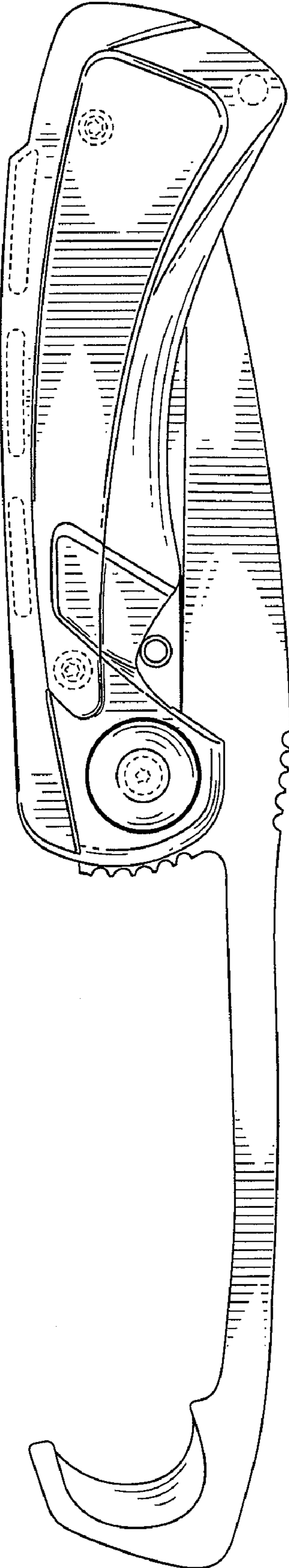


FIG. 20