



US00D573433S

(12) **United States Design Patent**  
**Warren et al.**

(10) **Patent No.:** **US D573,433 S**

(45) **Date of Patent:** **\*\* Jul. 22, 2008**

(54) **HEAD PORTION OF A HAMMER**

(75) Inventors: **Jon Warren**, Redding, CA (US); **Alan Jeffers**, Redding, CA (US); **Curtis Lupo**, Redding, CA (US)

(73) Assignee: **Nightshift Group, LLC**, Reno, NV (US)

(\*\*) Term: **14 Years**

(21) Appl. No.: **29/242,624**

(22) Filed: **Nov. 10, 2005**

(51) **LOC (8) Cl.** ..... **08-02**

(52) **U.S. Cl.** ..... **D8/78**

(58) **Field of Classification Search** ..... D8/14,  
D8/75, 76, 77, 78, 79, 80, 81, 107; 81/20,  
81/21, 22, 23; 7/143, 146

See application file for complete search history.

(56) **References Cited**

U.S. PATENT DOCUMENTS

5,697 A	8/1848	Powers
64,662 A	5/1867	Gold
103,678 A	5/1870	Stockwell
147,113 A	2/1874	Ellsworth
356,925 A	2/1887	Chamberlin
493,989 A	3/1893	Duryea
640,452 A	1/1900	Date
D34,663 S	6/1901	Yonge
835,961 A	11/1906	Lee
875,724 A	1/1908	Mullinix
D45,761 S	5/1914	Miller

(Continued)

OTHER PUBLICATIONS

“BioCurve Ergonomic Hammers,” Barco catalogue, p. 12.

“18 oz. Douglas Finish Hammer with 14-inch Handle,” Duluth Trading website at <http://www.duluthtrading.com/items/95646.asp>.

“Death Stick 21 oz. Ax Handle Hammer,” available from Toolmart website at <http://www.toolmarts.com/don21a.html>.

Polsteins Home Center—Sprinkler Riser xtractor (<http://www.polsteins.com/prod-0109207.html>)—Oct. 4, 2005).

*Primary Examiner*—Philip S Hyder

(74) *Attorney, Agent, or Firm*—Gordon & Jacobson, PC

(57) **CLAIM**

The ornamental design for a head portion of a hammer, as shown and described.

**DESCRIPTION**

FIG. 1 is a front right side perspective view of the head portion of a hammer in accordance with the present invention;

FIG. 2 is a left side elevational view of the head portion of the hammer of FIG. 1;

FIG. 3 is a top elevational view of the head portion of the hammer of FIG. 1;

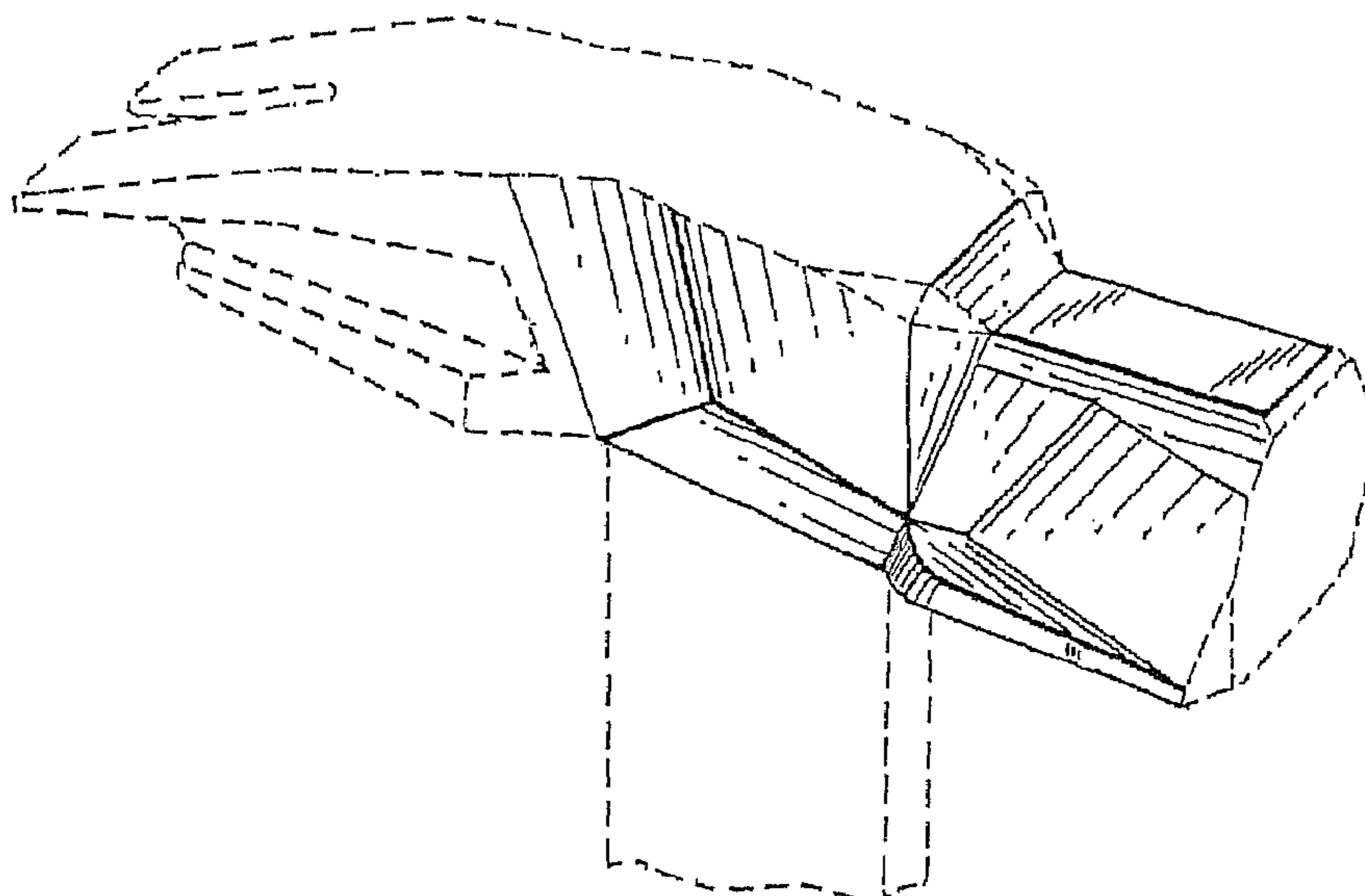
FIG. 4 is a front elevational view of the head portion of the hammer of FIG. 1;

FIG. 5 is a rear elevational view of the head portion of the hammer of FIG. 1; and,

FIG. 6 is a bottom elevational view of the head portion of the hammer of FIG. 1.

The left side view of the head portion of the hammer of FIGS. 1–6 is omitted as being a mirror of FIG. 2. The shaded area(s) represent(s) the bounds of the claimed design. All broken lines represent the remaining portion of the hammer, which is provided for illustrative purposes only and form no part of the claimed design.

**1 Claim, 3 Drawing Sheets**



# US D573,433 S

Page 2

---

## U.S. PATENT DOCUMENTS

1,535,685 A	4/1925	Randell			
2,420,120 A	5/1947	Bruchsaler			
2,491,129 A	12/1949	Nieuwsma			
2,501,757 A	3/1950	Cagle			
3,119,424 A	1/1964	Henry			
D262,186 S *	12/1981	Royce .....	D8/79		
4,732,058 A	3/1988	Chung			
D301,679 S *	6/1989	Kokkinos .....	D8/75		
5,235,755 A	8/1993	Fowler			
				D375,033 S	10/1996 Edwards
				D398,505 S *	9/1998 Gossage .....
				5,826,466 A	10/1998 Weissbach
				D425,772 S *	5/2000 Pringle et al. ....
				6,058,539 A	5/2000 Mitford-Taylor
				6,266,834 B1	7/2001 Walsh et al.
				D455,626 S	4/2002 Chen
				D478,265 S *	8/2003 Chen .....
				D528,890 S *	9/2006 Chen .....
				2002/0088130 A1	7/2002 Szumer

\* cited by examiner

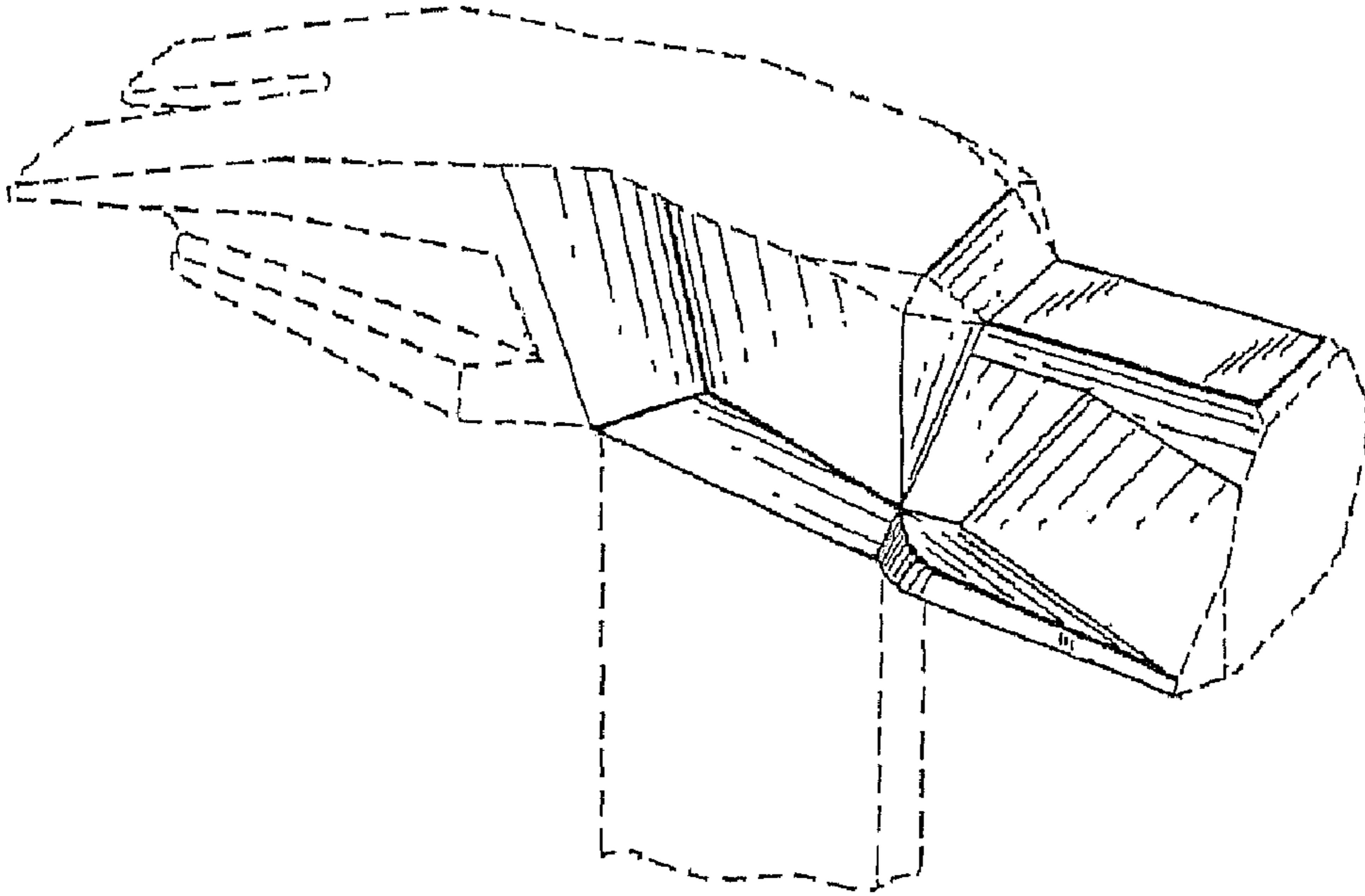


FIG. 1

FIG.2

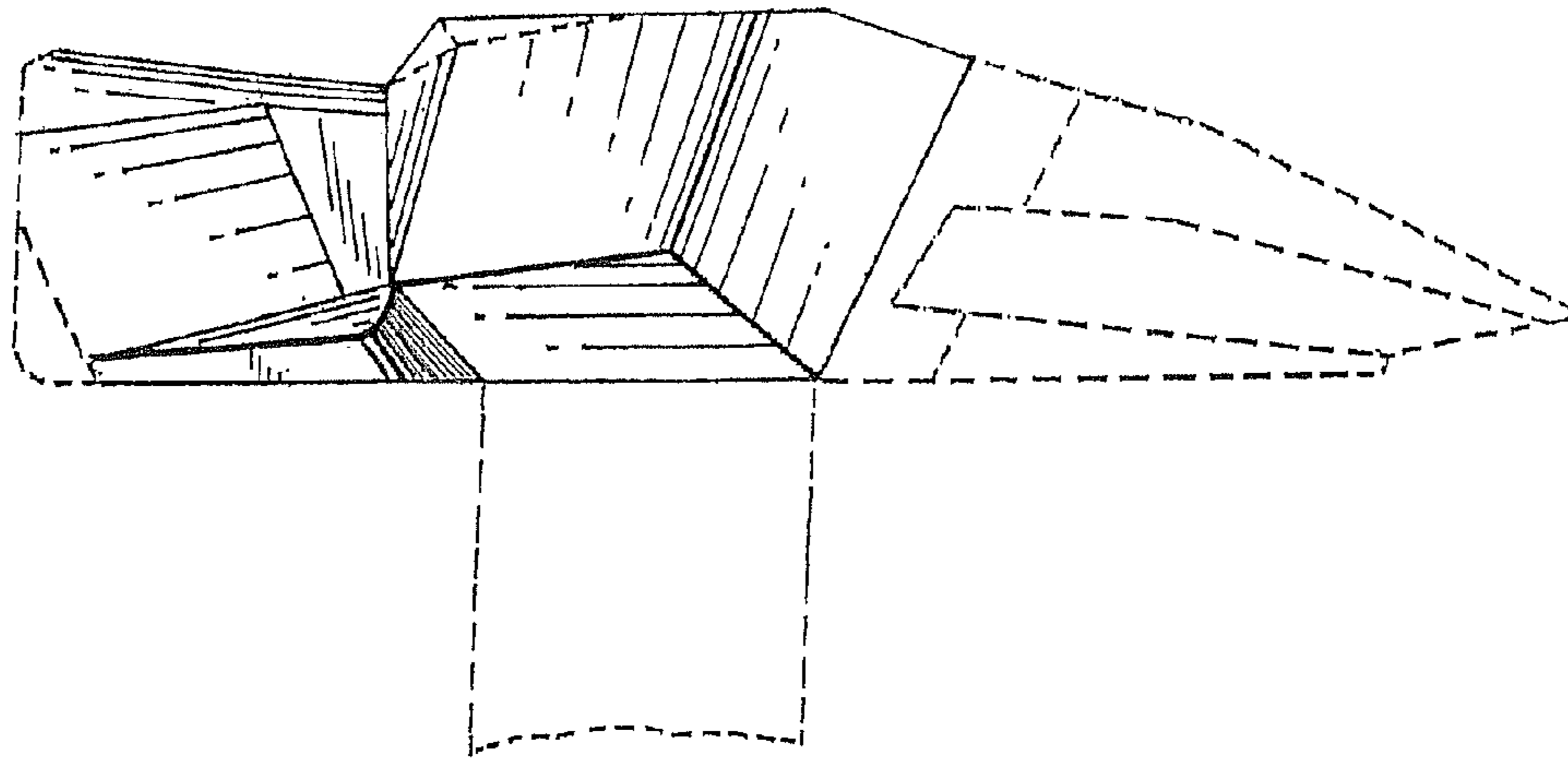
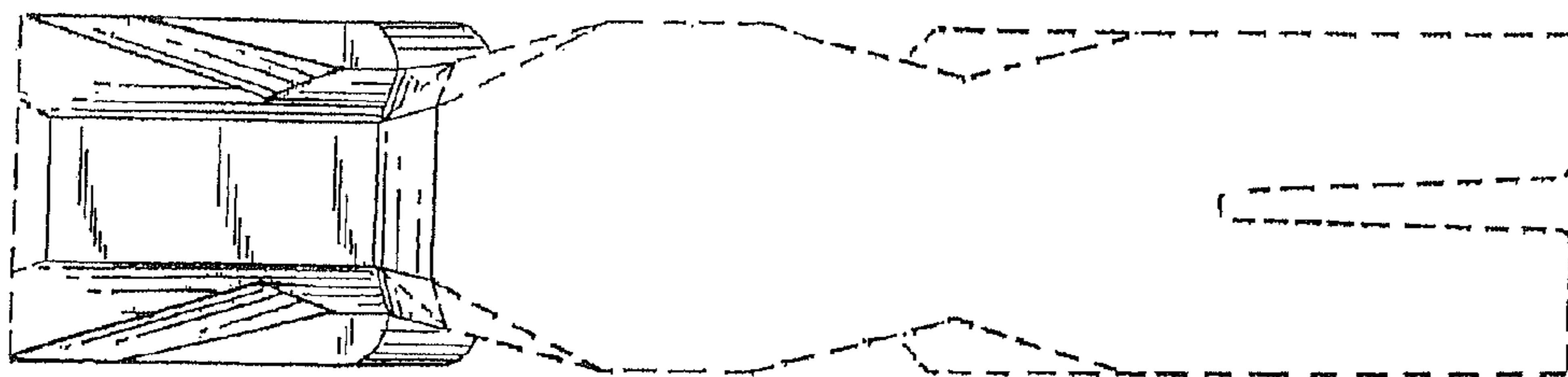


FIG.3



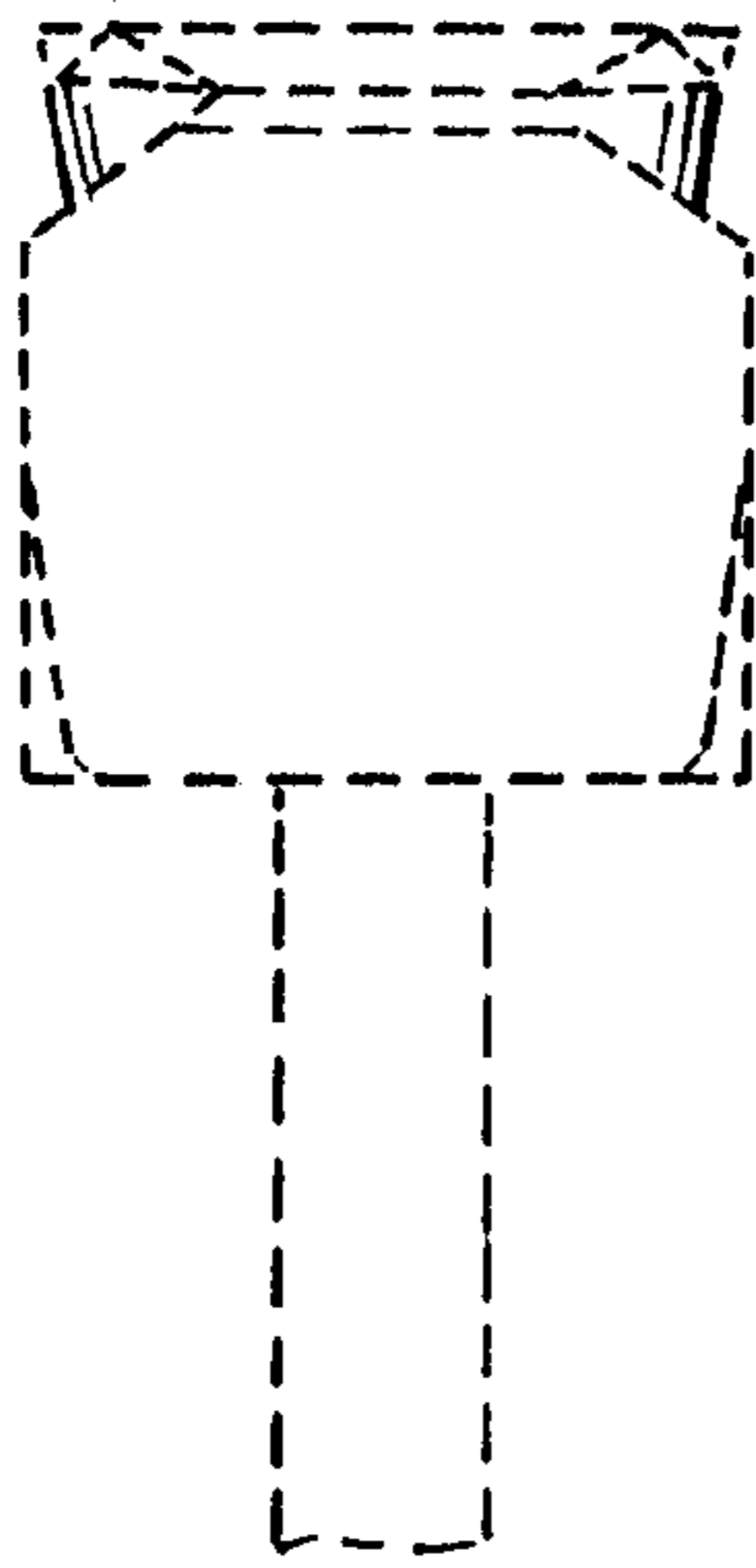


FIG. 4

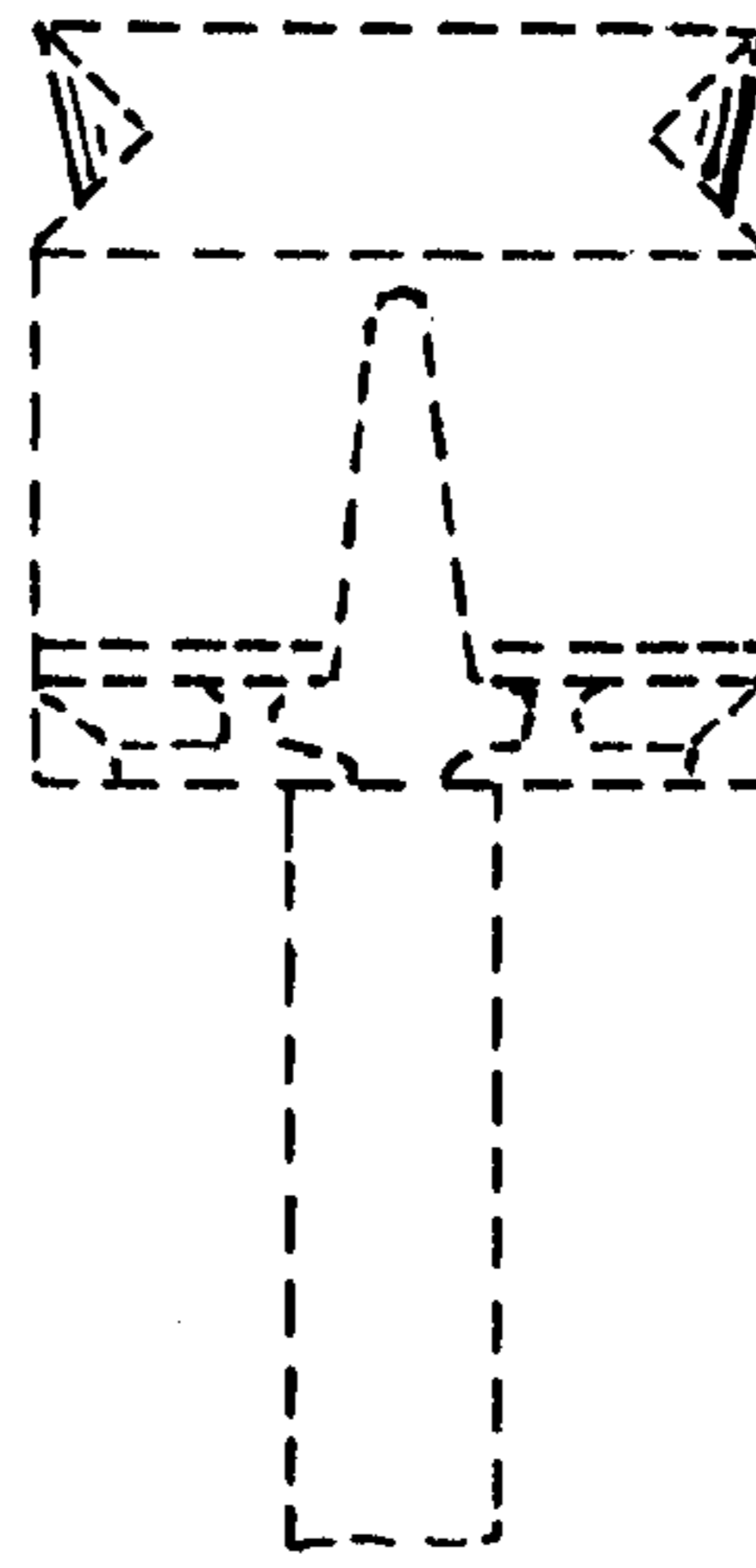


FIG. 5

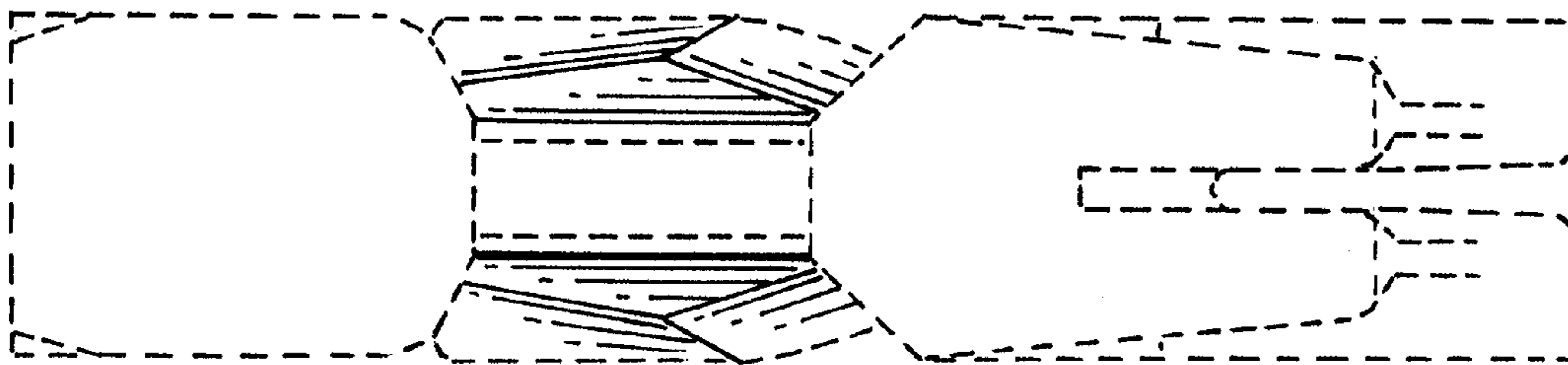


FIG. 6