



US00D573432S

(12) **United States Design Patent**
Gavins

(10) **Patent No.:** **US D573,432 S**
(45) **Date of Patent:** **** Jul. 22, 2008**

(54) **CIRCULAR SAW**
(75) Inventor: **Matthew James Gavins**, Sheffield (GB)
(73) Assignee: **Evolution Power Tools Limited** (GB)
(**) Term: **14 Years**
(21) Appl. No.: **29/277,688**
(22) Filed: **Mar. 7, 2007**

(51) **LOC (8) Cl.** **08-03**
(52) **U.S. Cl.** **D8/66**
(58) **Field of Classification Search** D8/69,
D8/68, 67, 66, 64, 61, 70; 83/698.41, 747;
30/166.3, 374, 373, 375, 376, 391, 377, 390,
30/388, 389; 125/13.01; 144/218
See application file for complete search history.

(56) **References Cited**
U.S. PATENT DOCUMENTS

2,955,629	A *	10/1960	Bork	30/376
4,245,390	A *	1/1981	Bond	30/164.95
4,856,394	A *	8/1989	Clowers	83/56
4,870,758	A *	10/1989	Fushiya	30/388
D315,854	S *	4/1991	Kawakami et al.	D8/66
5,121,545	A *	6/1992	Nonaka et al.	30/376
5,381,602	A *	1/1995	Matzo et al.	30/377
5,758,425	A *	6/1998	Gallagher et al.	30/376
5,794,351	A *	8/1998	Campbell et al.	30/390
D408,248	S *	4/1999	Zurwelle et al.	D8/66

6,301,790	B1 *	10/2001	Zeiler et al.	30/391
D502,074	S *	2/2005	Sham et al.	D8/66
D502,373	S *	3/2005	Wu	D8/66
D504,297	S *	4/2005	Tillman et al.	D8/66
D528,390	S *	9/2006	Waldron	D8/66
D539,108	S *	3/2007	Roberts	D8/66
D539,626	S *	4/2007	Roberts	D8/66
2003/0024128	A1 *	2/2003	Kani	30/376
2003/0024368	A1 *	2/2003	Fukuoka	83/698.41

* cited by examiner

Primary Examiner—Cathron C. Brooks

Assistant Examiner—Austin Murphy

(74) *Attorney, Agent, or Firm*—Trexler, Bushnell,
Giangiorgi, Blackstone & Marr, Ltd.

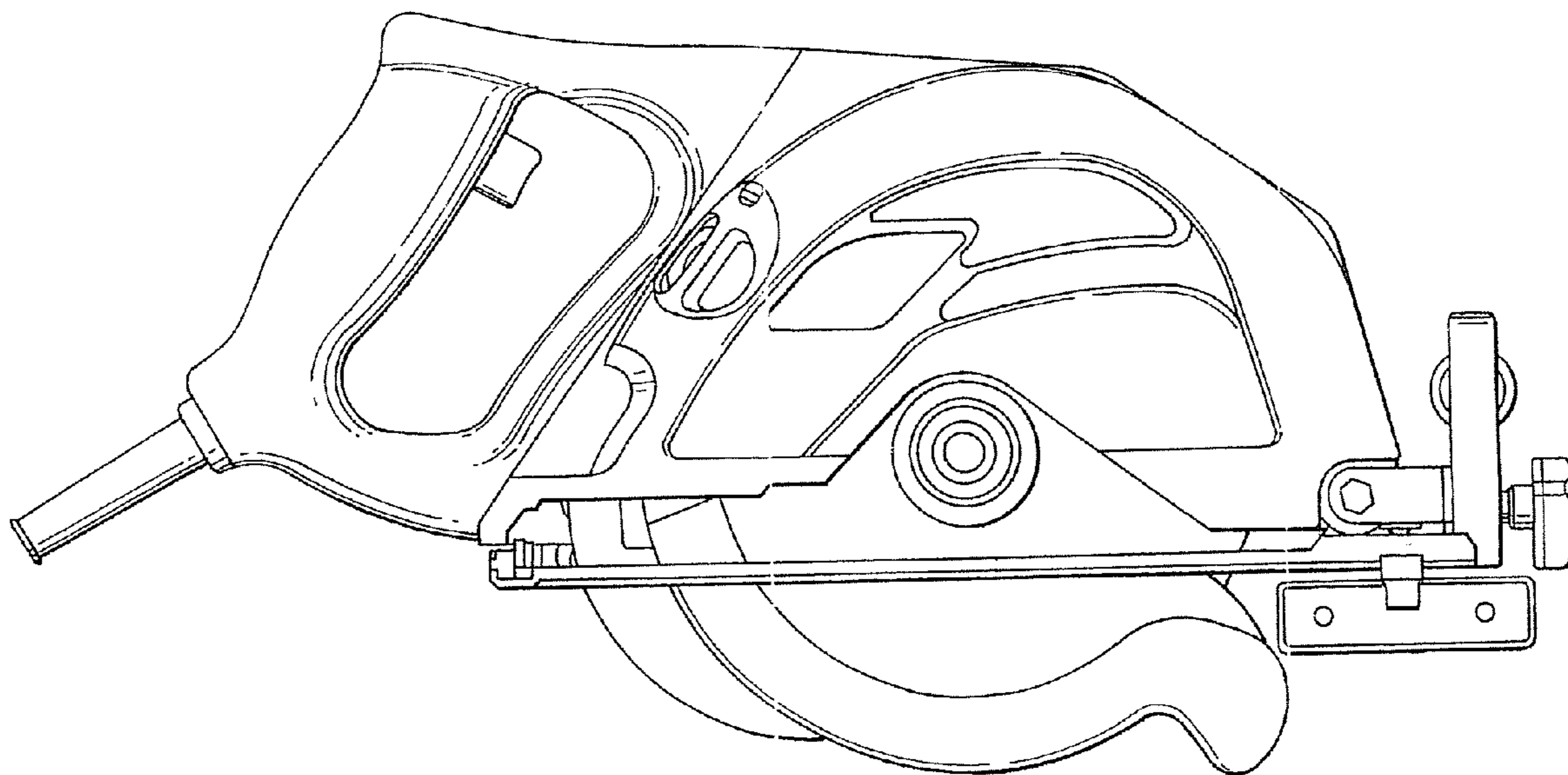
(57) **CLAIM**

The design for a circular saw, as shown and described.

DESCRIPTION

FIG. 1 is a side elevational view of the circular saw;
FIG. 2 is the opposite side thereof;
FIG. 3 is the front view thereof;
FIG. 4 is the rear view thereof;
FIG. 5 is a top plan view thereof; and,
FIG. 6 is a perspective view of FIG. 1 shown in an alternate
position of use.

1 Claim, 6 Drawing Sheets



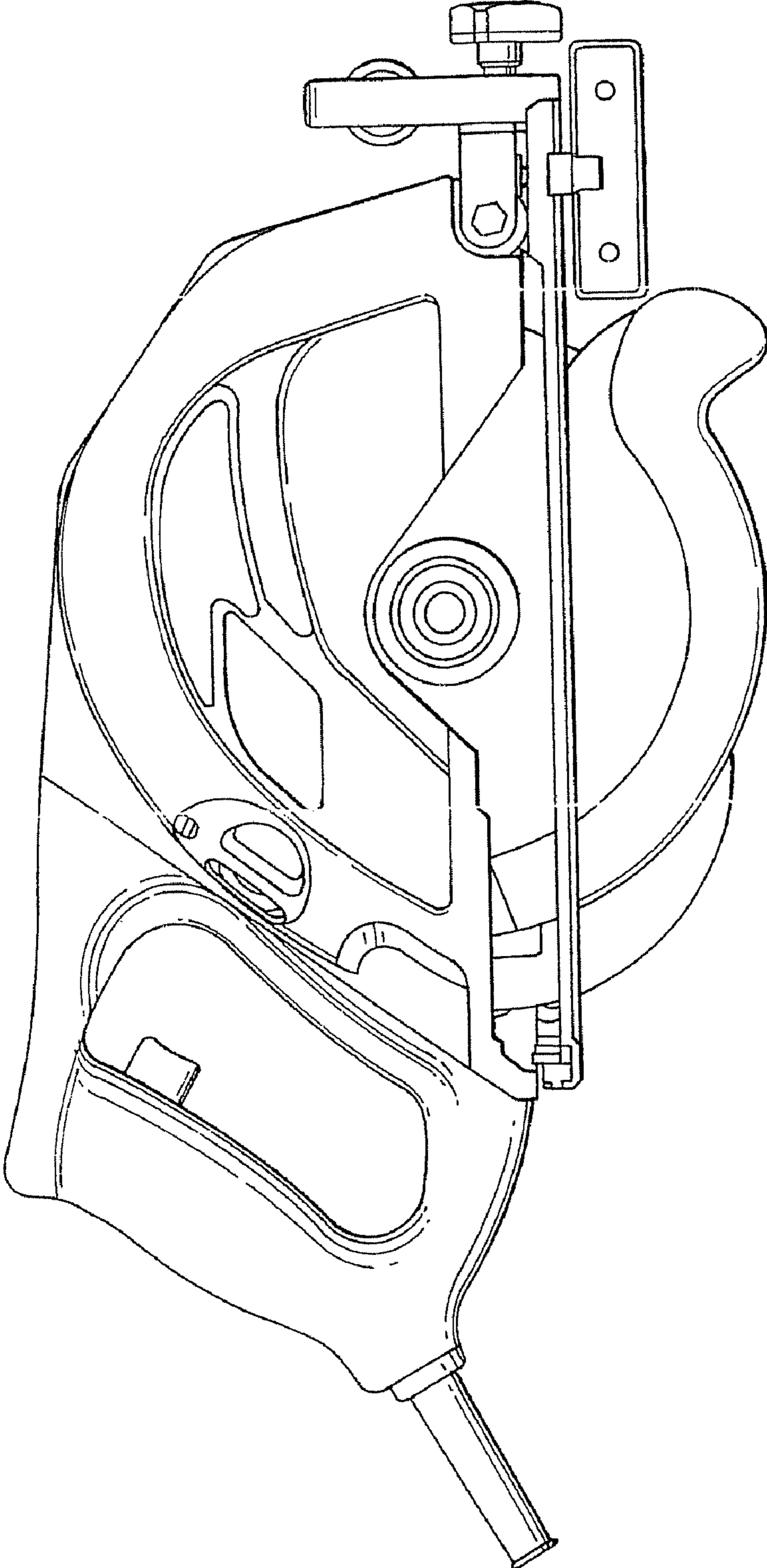


Fig. 1

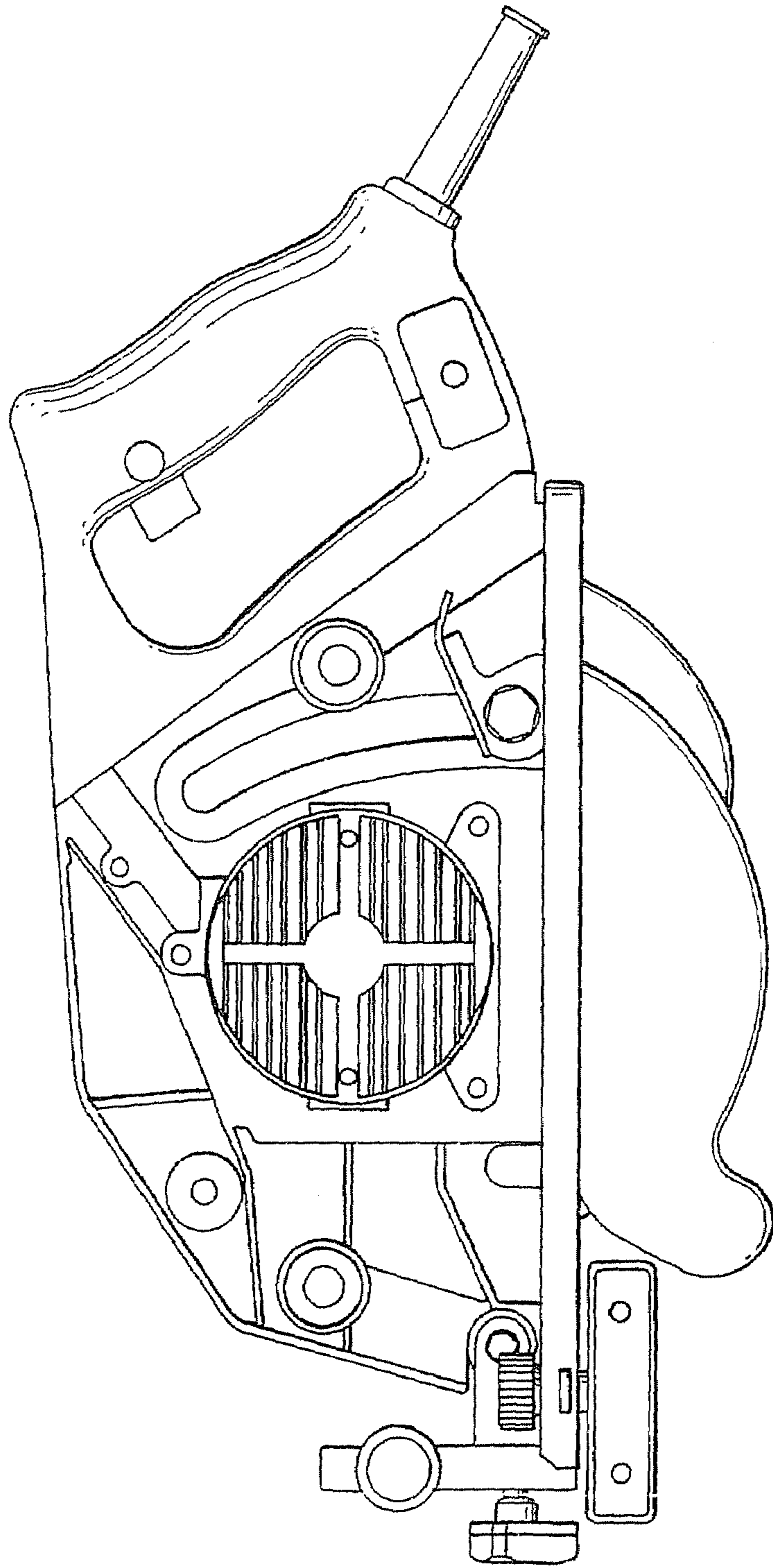


Fig. 2

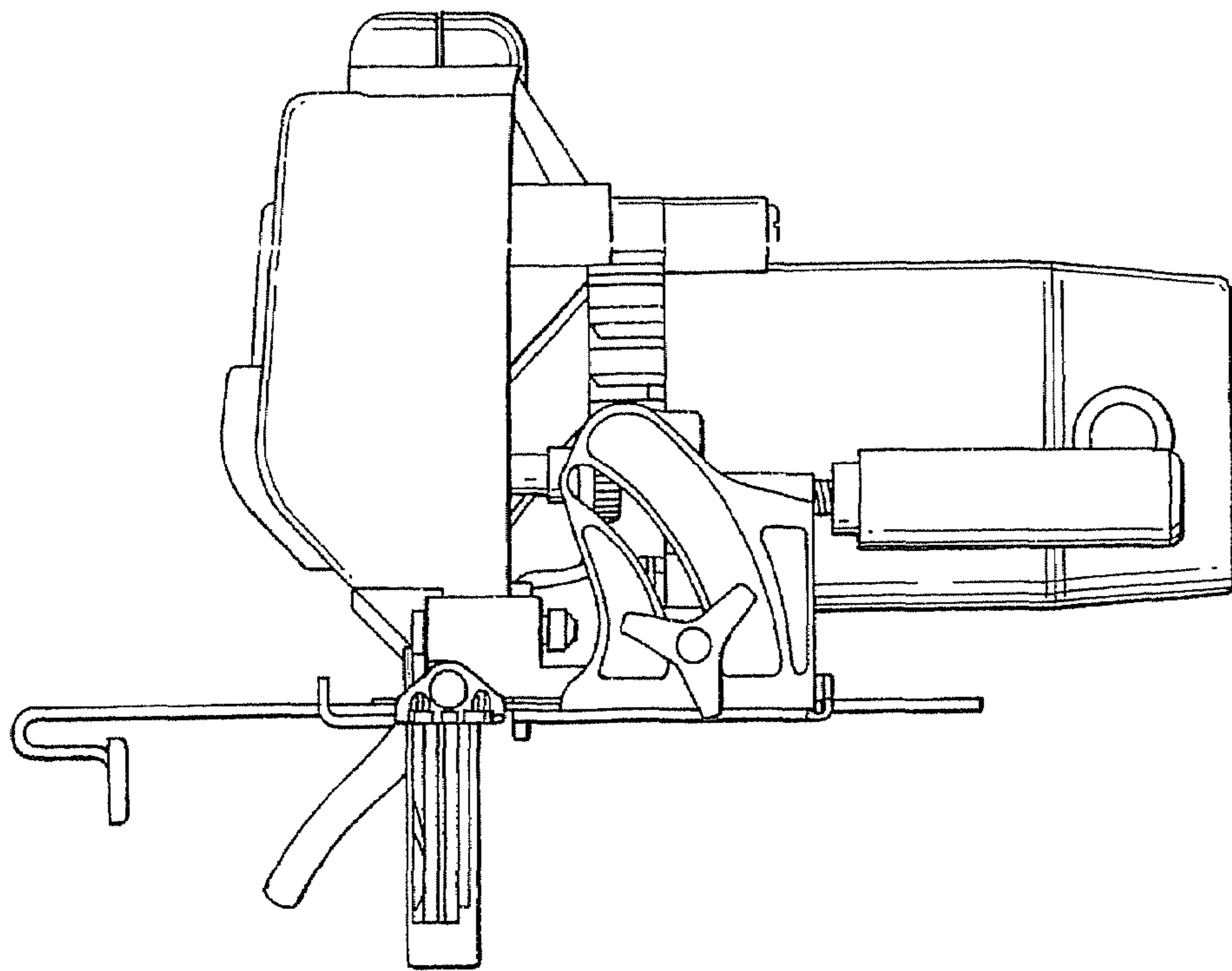


Fig. 3

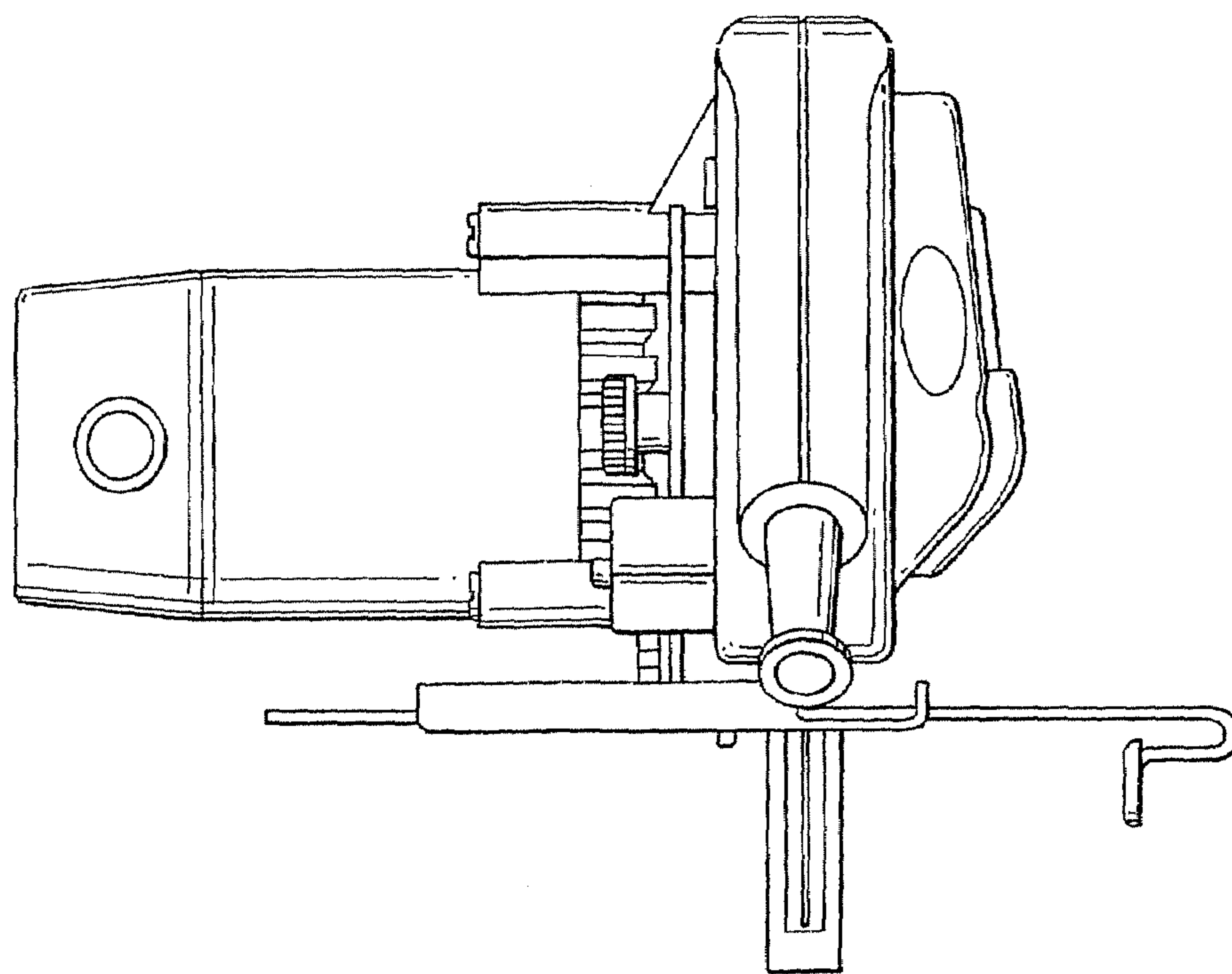


Fig. 4

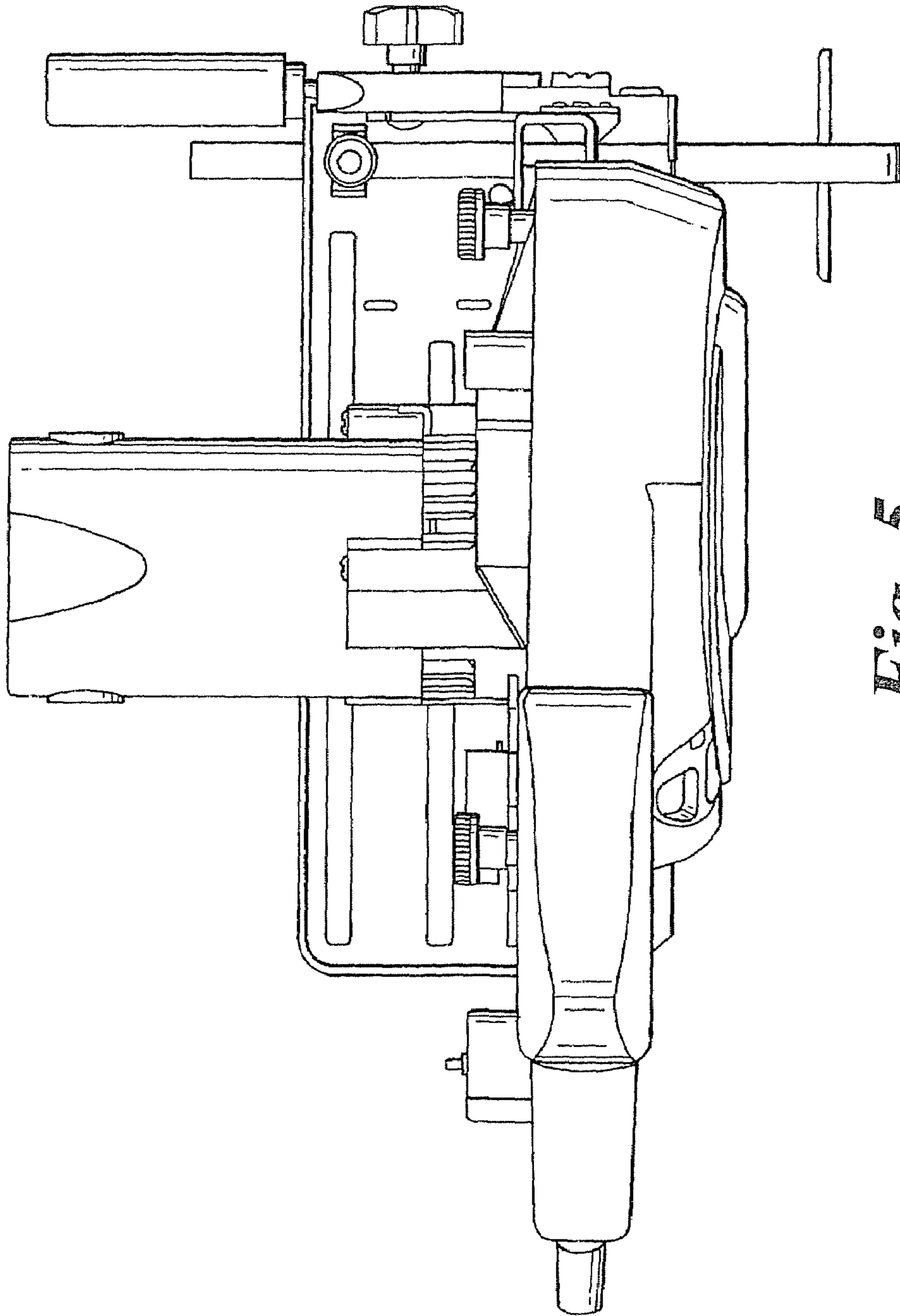


Fig. 5

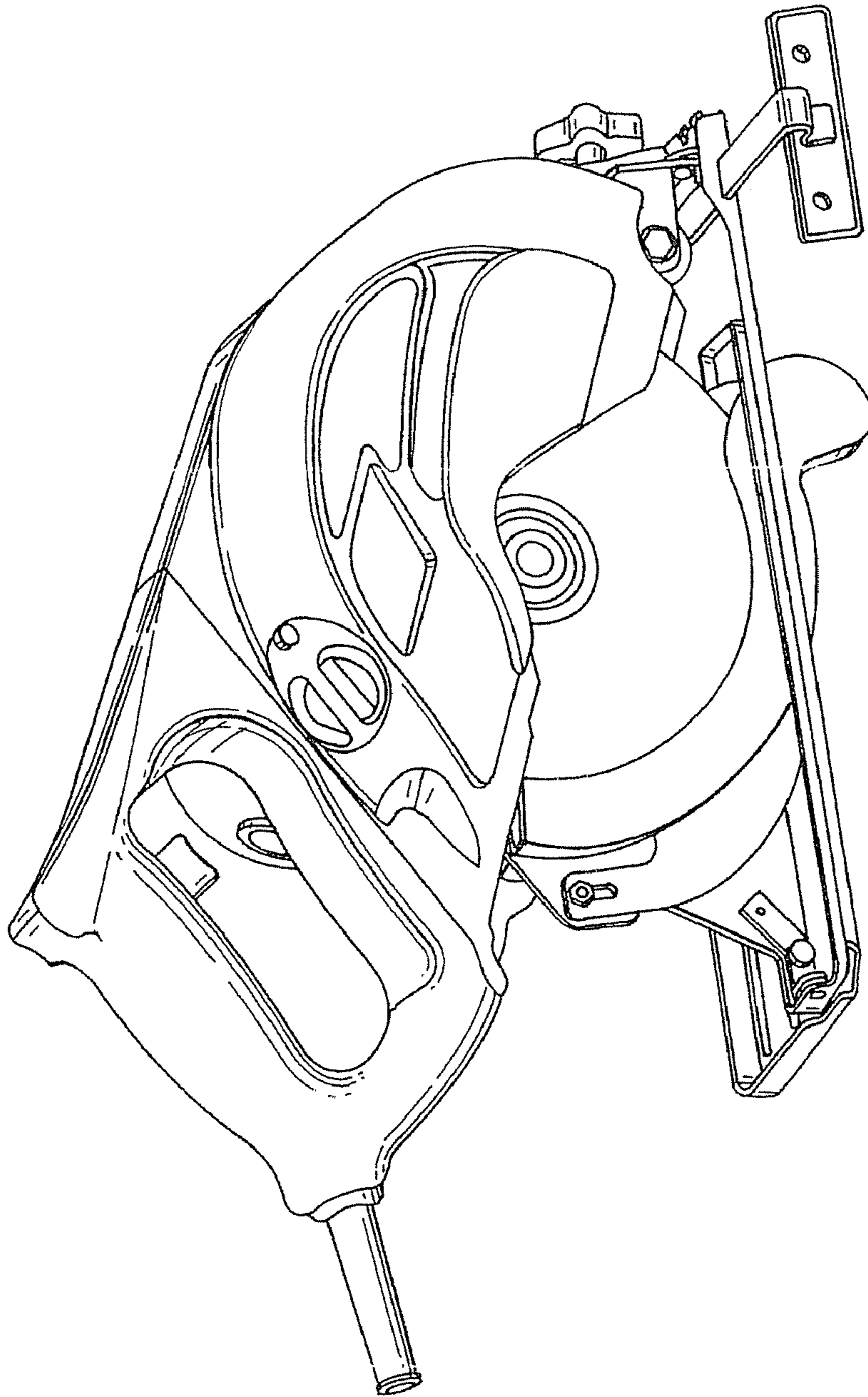


Fig. 6