



US00D573431S

(12) **United States Design Patent**  
**Wright et al.**

(10) **Patent No.:** **US D573,431 S**  
(45) **Date of Patent:** **\*\* Jul. 22, 2008**

- (54) **DRYWALL SANDER**
- (75) Inventors: **Stuart J. Wright**, Timonium, MD (US);  
**John White**, Chicago, IL (US)
- (73) Assignee: **Black & Decker Inc.**, Newark, DE (US)
- (\*\*) Term: **14 Years**
- (21) Appl. No.: **29/294,555**
- (22) Filed: **Jan. 17, 2008**

- D353,313 S 12/1994 Stiles
- D354,666 S 1/1995 Kriebel
- 5,690,545 A 11/1997 Clowers et al.
- D392,860 S 3/1998 Brown
- 7,033,259 B1 4/2006 Seasholtz et al.
- 7,249,996 B1 7/2007 Volyar

**OTHER PUBLICATIONS**

Printout from Google search for drywall sander, 1 page, Nov. 2007.  
*Primary Examiner*—Philip S Hyder  
(74) *Attorney, Agent, or Firm*—Mehul R. Jani; Adan Ayala

**Related U.S. Application Data**

- (63) Continuation of application No. 29/248,950, filed on Sep. 12, 2006, now Pat. No. Des. 564,322.

- (51) **LOC (8) Cl.** ..... **08-01**
- (52) **U.S. Cl.** ..... **D8/62; D8/90**
- (58) **Field of Classification Search** ..... D8/62,  
D8/90; 451/344, 354, 456, 523, 524, 525  
See application file for complete search history.

(57) **CLAIM**

The ornamental design for a drywall sander, as shown and described.

**DESCRIPTION**

FIG. 1 is a left/front perspective view of the drywall sander.  
FIG. 2 is a right/rear perspective view thereof.  
FIG. 3 is a front view thereof.  
FIG. 4 is a rear view thereof.  
FIG. 5 is a right side view thereof.  
FIG. 6 is a left side view thereof.  
FIG. 7 is a top view thereof; and,  
FIG. 8 is a bottom view thereof.

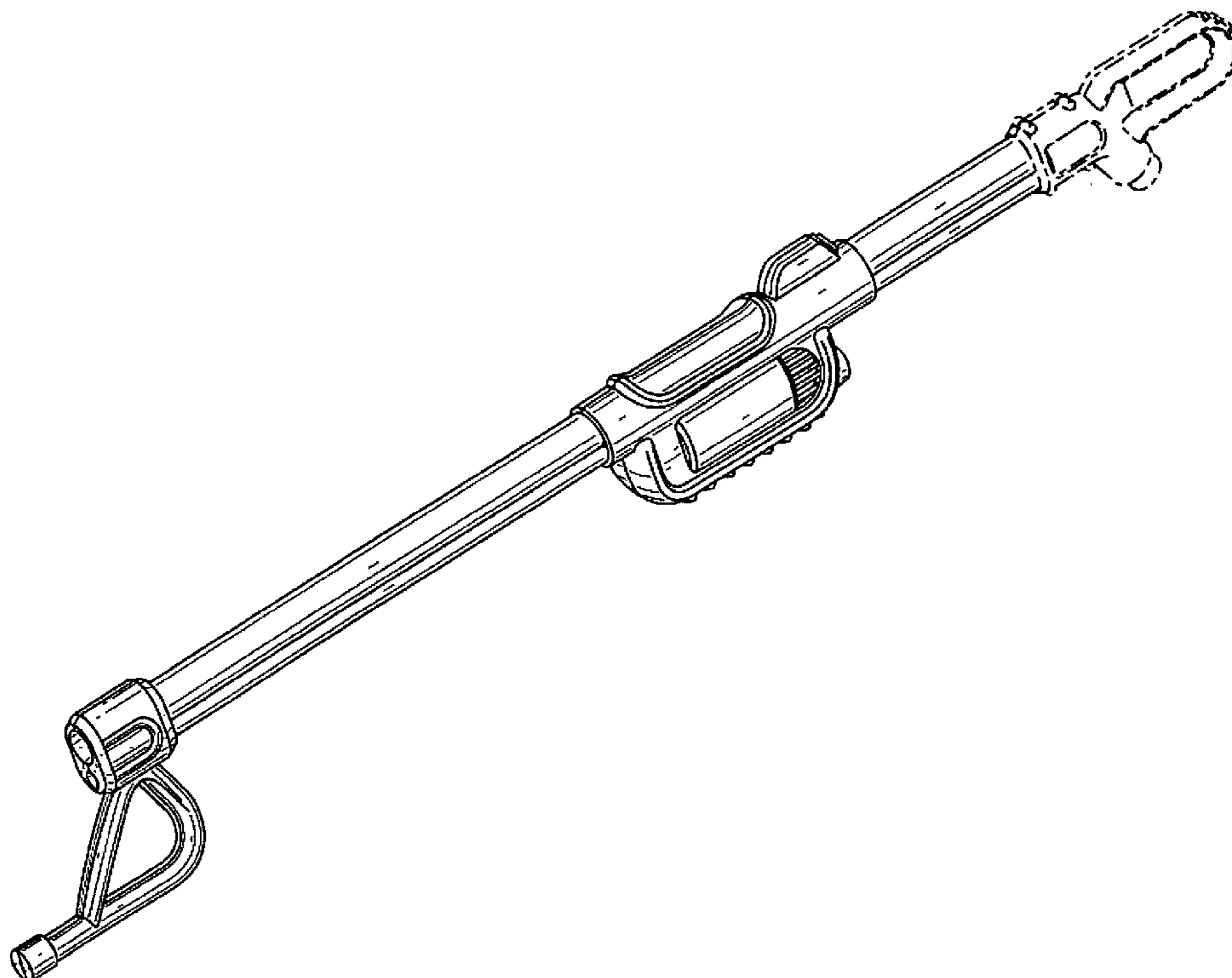
The broken lines in the Figures are for illustrative purposes only and form no part of the claimed design.

(56) **References Cited**

**U.S. PATENT DOCUMENTS**

- 4,184,291 A 1/1980 Marton
- 4,782,632 A 11/1988 Matechuk
- 4,937,984 A 7/1990 Taranto
- 4,964,243 A 10/1990 Reiter
- 4,974,371 A 12/1990 Conboy
- 5,036,627 A 8/1991 Walters
- 5,239,783 A 8/1993 Matechuk

**1 Claim, 5 Drawing Sheets**



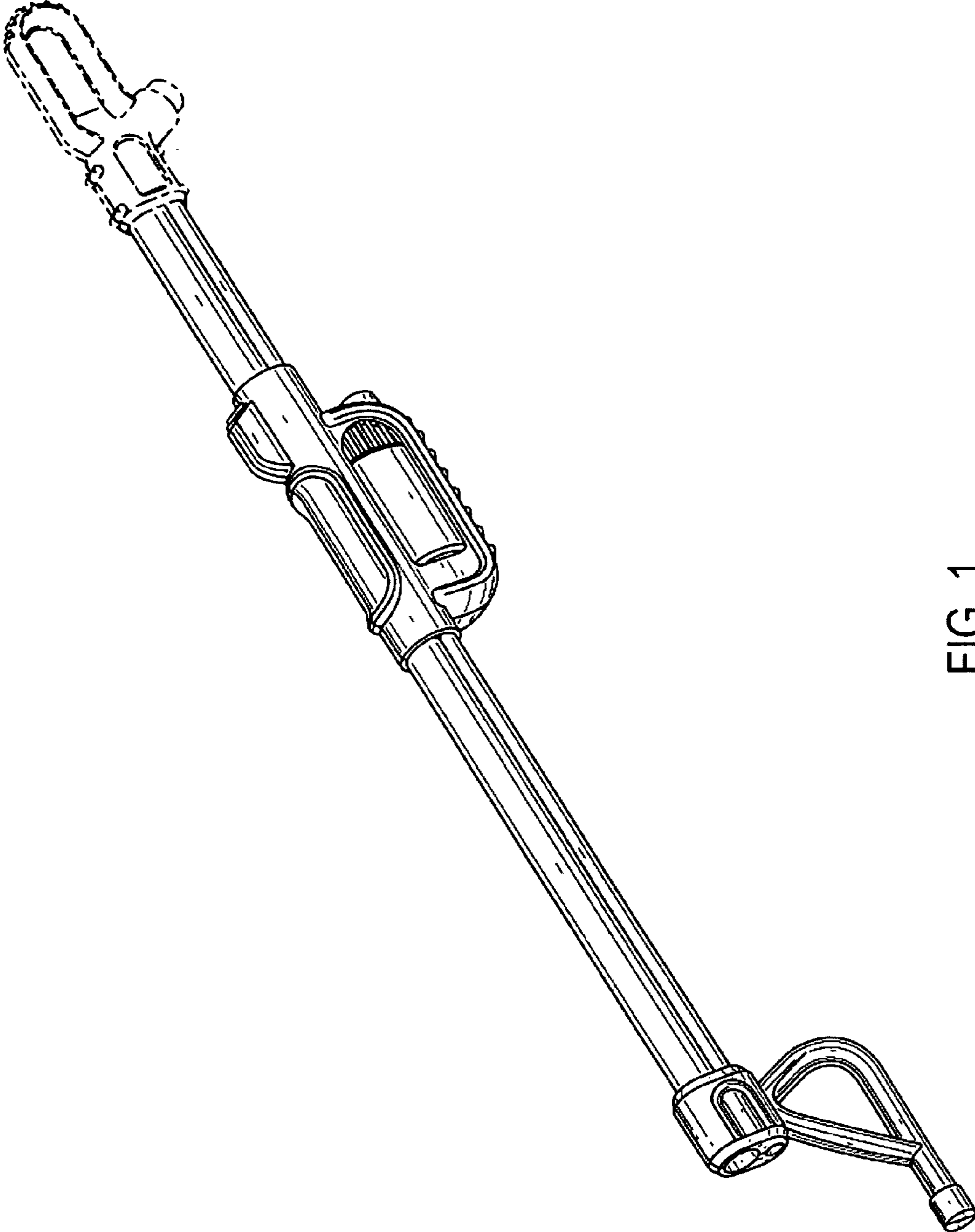


FIG. 1

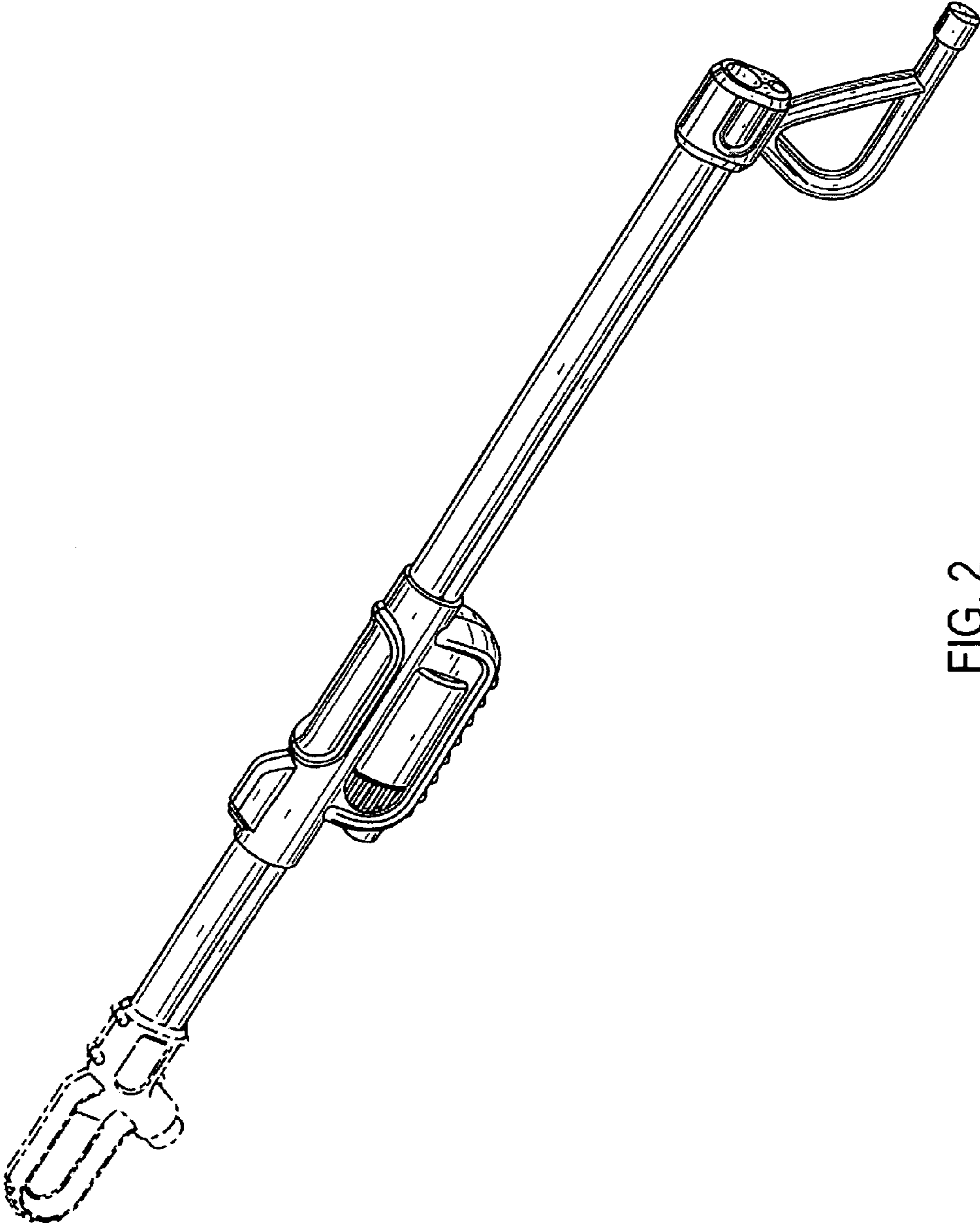


FIG. 2

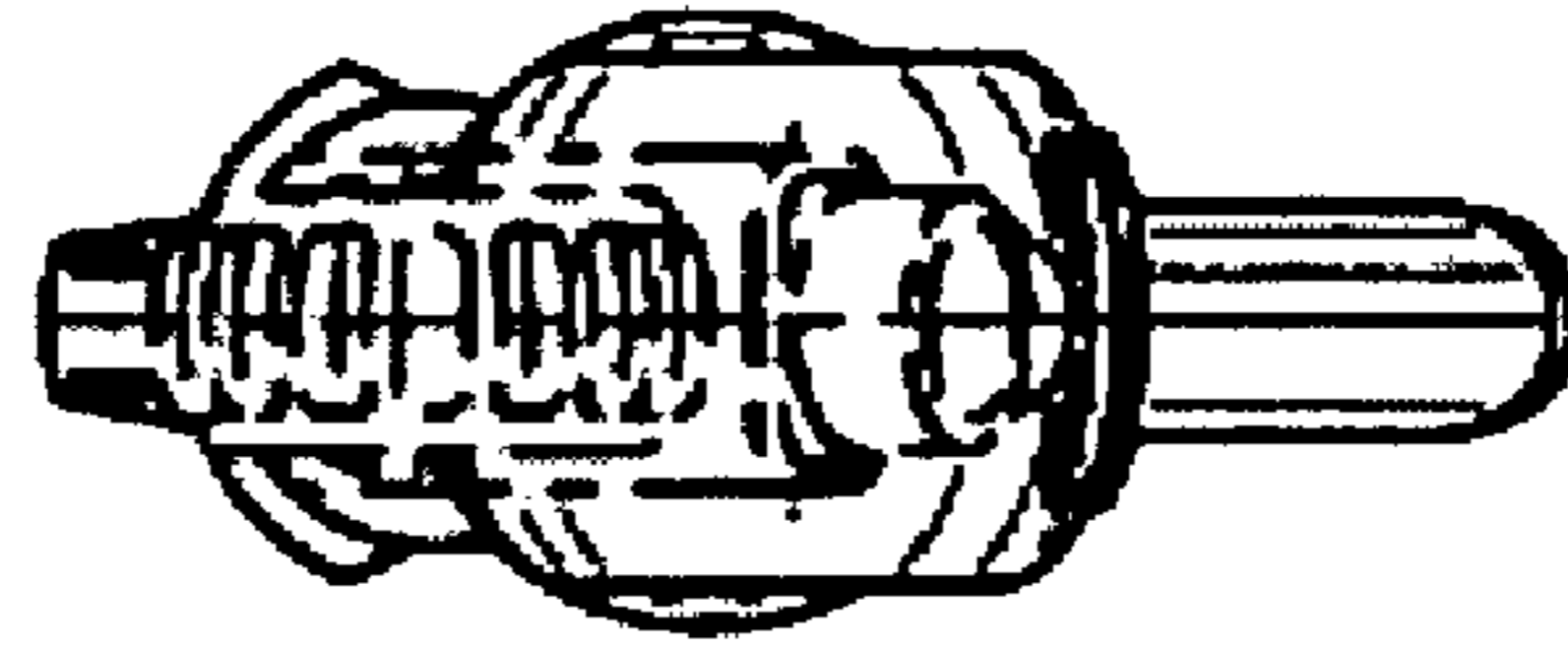


FIG. 4

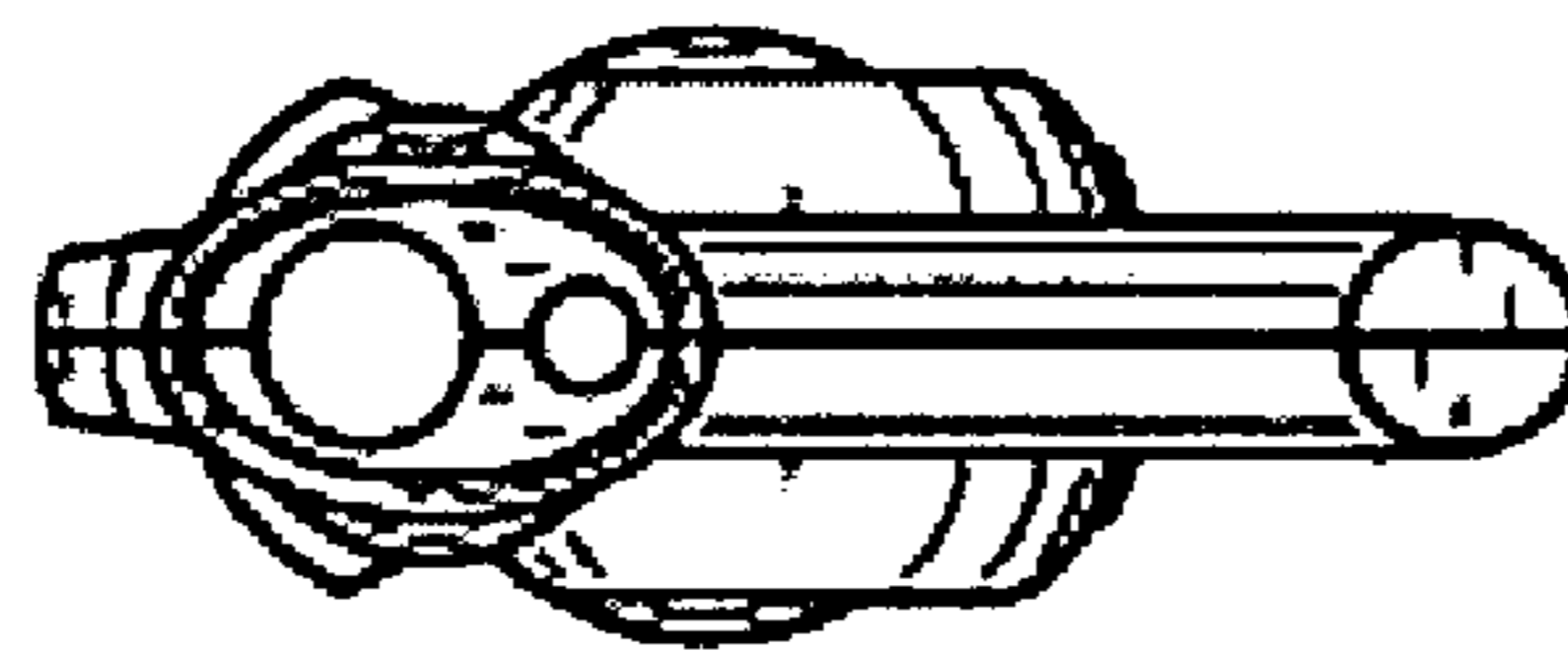


FIG. 3

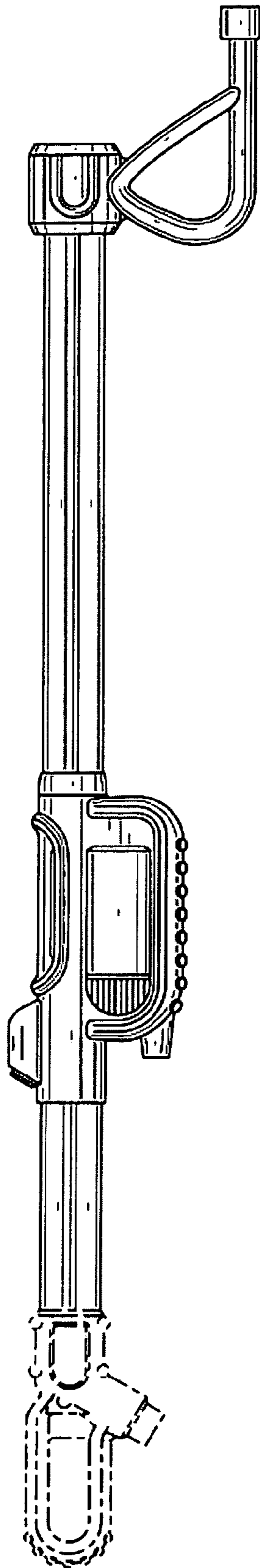


FIG. 5

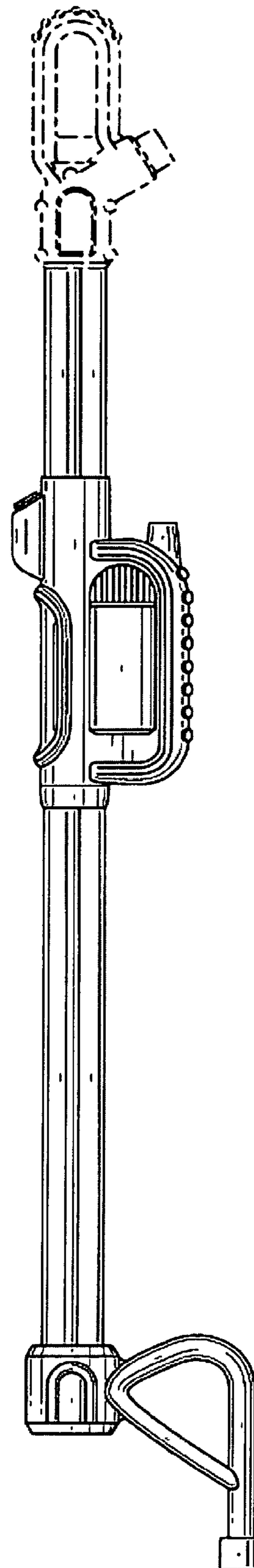


FIG. 6

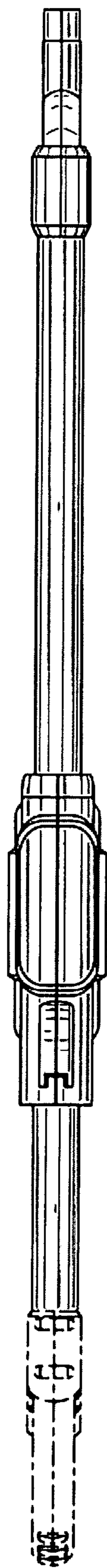


FIG. 7

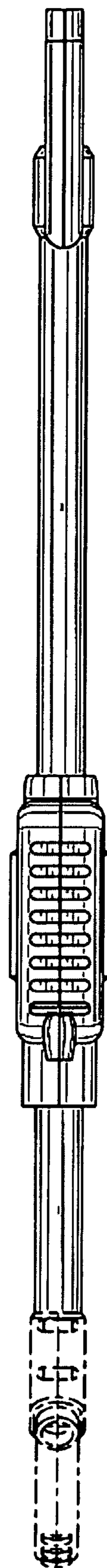


FIG. 8