



US00D573430S

(12) **United States Design Patent**  
**Newbould et al.**

(10) **Patent No.:** **US D573,430 S**  
(45) **Date of Patent:** **\*\* Jul. 22, 2008**

(54) **SCISSORS**

(75) Inventors: **Peter J. Newbould**, Milan (IT);  
**Pasquale Cirulli**, Milan (IT); **Gabriel F Zangari**, Milan (IT); **Joy A. Packard**, Hudson, WI (US); **Scott D. Pearson**, Woodbury, MN (US)

(73) Assignee: **3M Innovative Properties Company**, St. Paul, MN (US)

(\*\*) Term: **14 Years**

(21) Appl. No.: **29/295,371**

(22) Filed: **Sep. 27, 2007**

(51) **LOC (8) Cl.** ..... **08-03**

(52) **U.S. Cl.** ..... **D8/57**

(58) **Field of Classification Search** ..... D8/57,  
D8/107, 14, 5, 105; 7/135, 136; 30/131,  
30/195, 229, 194, 230-235, 268

See application file for complete search history.

(56) **References Cited**

**U.S. PATENT DOCUMENTS**

D166,899 S *	6/1952	Ahlbin	.....	D8/57
D237,038 S *	10/1975	Laurenti	.....	D8/57
D250,246 S *	11/1978	Spigelman	.....	D8/57
D291,769 S *	9/1987	Lemcke	.....	D8/4
4,715,122 A *	12/1987	Linden	.....	30/254
D409,465 S *	5/1999	Olix et al.	.....	D8/57
D453,457 S *	2/2002	Stokes	.....	D8/57

D472,122 S *	3/2003	Manson et al.	.....	D8/57
6,665,939 B1 *	12/2003	Adachi	.....	30/232
D485,736 S *	1/2004	Phillips et al.	.....	D8/57
D518,345 S *	4/2006	Peterson	.....	D8/57
D521,831 S *	5/2006	Siegel	.....	D8/57
D522,332 S *	6/2006	Siegel	.....	D8/57
D523,714 S *	6/2006	Peterson et al.	.....	D8/57
D530,169 S *	10/2006	Davies et al.	.....	D8/57
D543,080 S *	5/2007	Haquin	.....	D8/57

\* cited by examiner

*Primary Examiner*—Cathron Brooks

*Assistant Examiner*—Deanna Fluegeman

(74) *Attorney, Agent, or Firm*—Trisha D. Adamson

(57) **CLAIM**

The ornamental design for a scissors, as shown and described.

**DESCRIPTION**

FIG. 1 is a perspective view of a new design for a scissors;

FIG. 2 is a right side view thereof;

FIG. 3 is a left side view thereof;

FIG. 4 is a top view thereof;

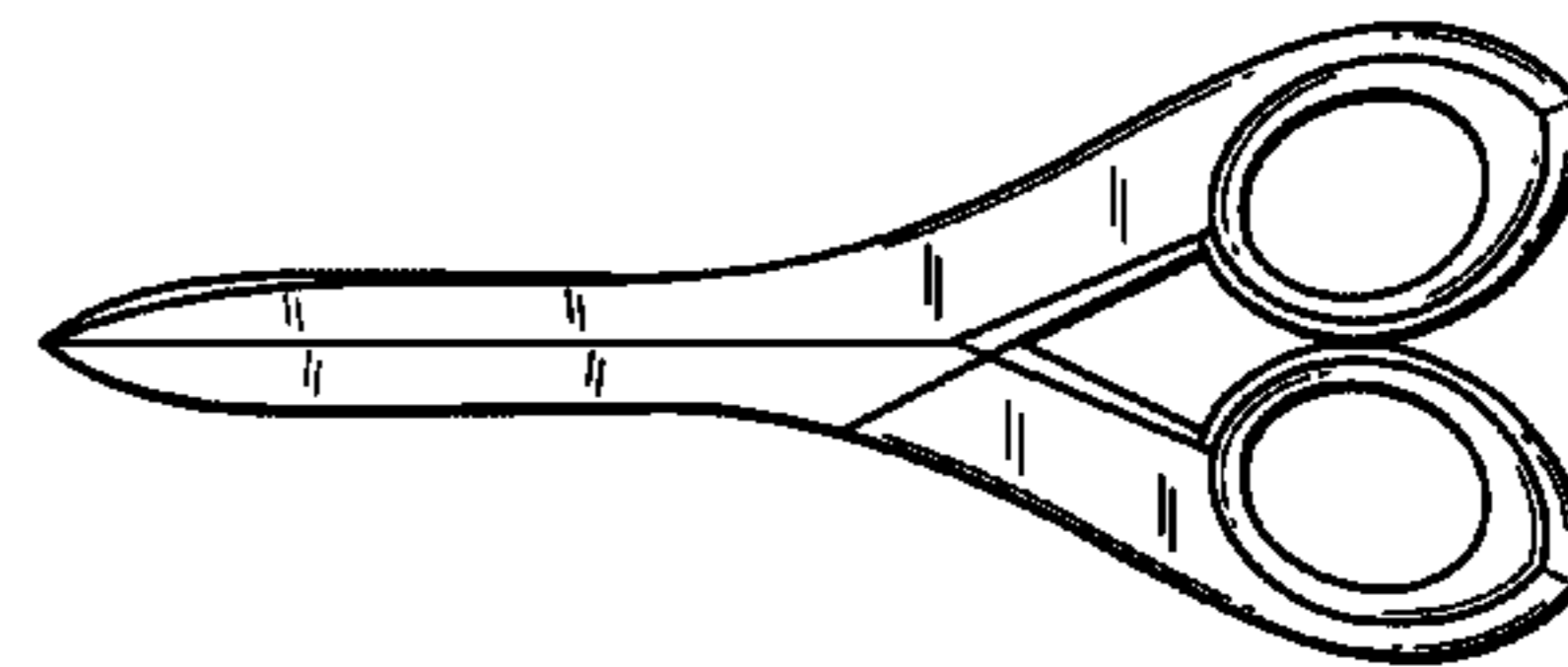
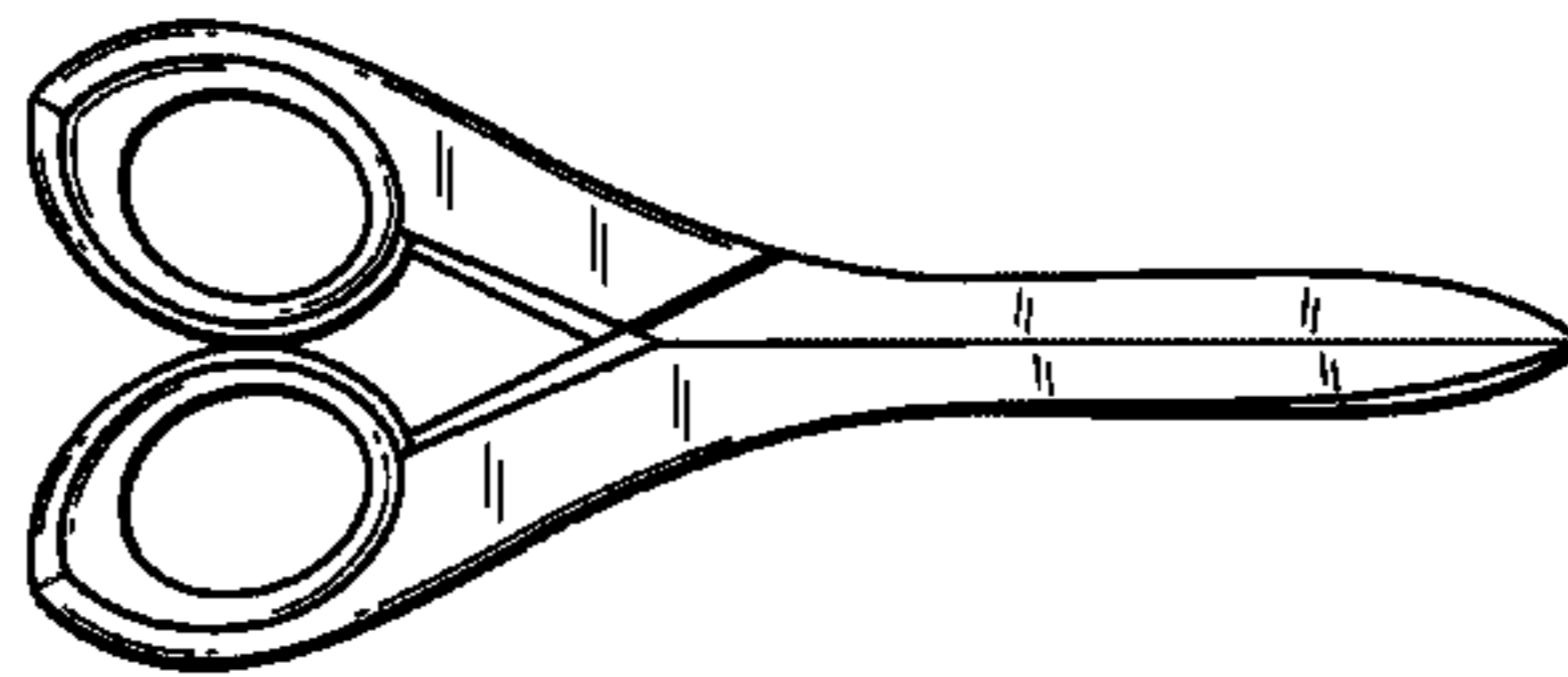
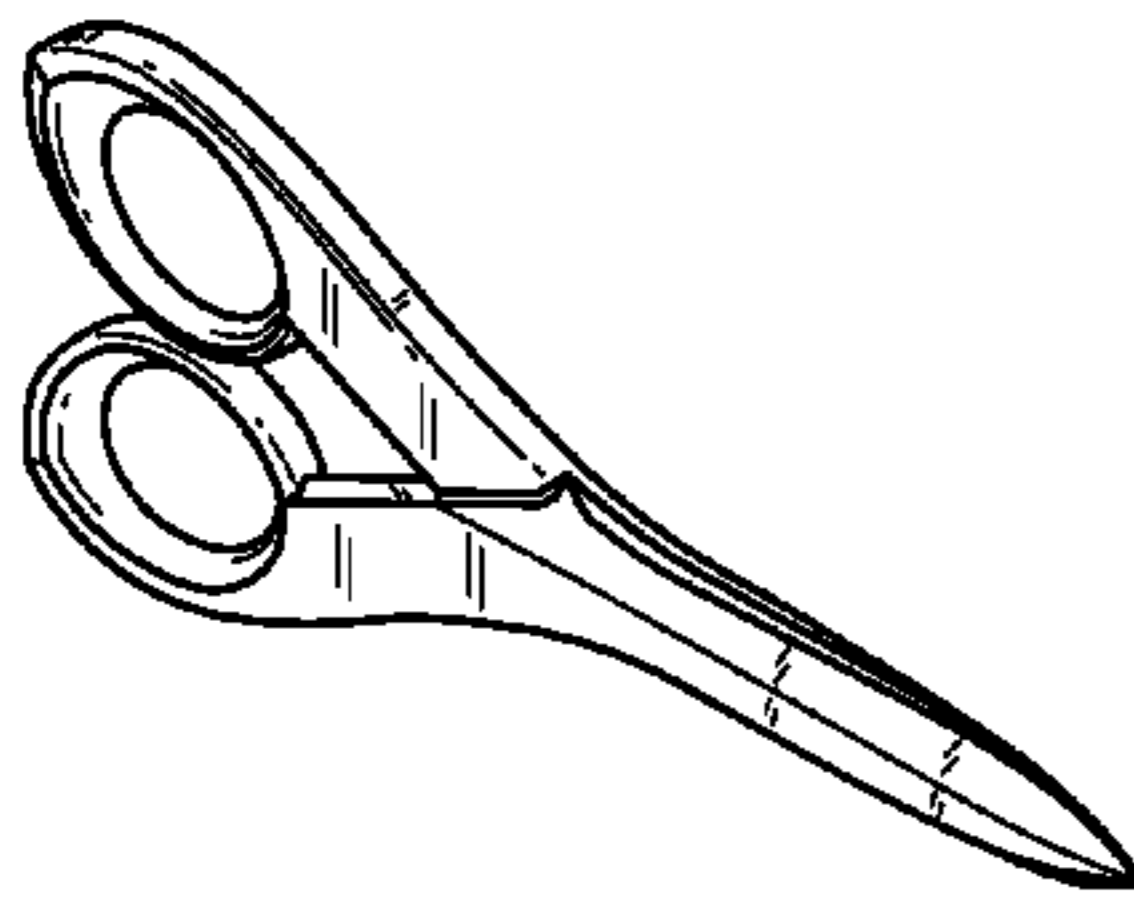
FIG. 5 is a bottom view thereof;

FIG. 6 is a rear view thereof; and,

FIG. 7 is a front view thereof.

The surface shading illustrated in the drawings is provided merely to highlight the contour of design; it is not intended to be illustrative of texture or gloss.

**1 Claim, 1 Drawing Sheet**



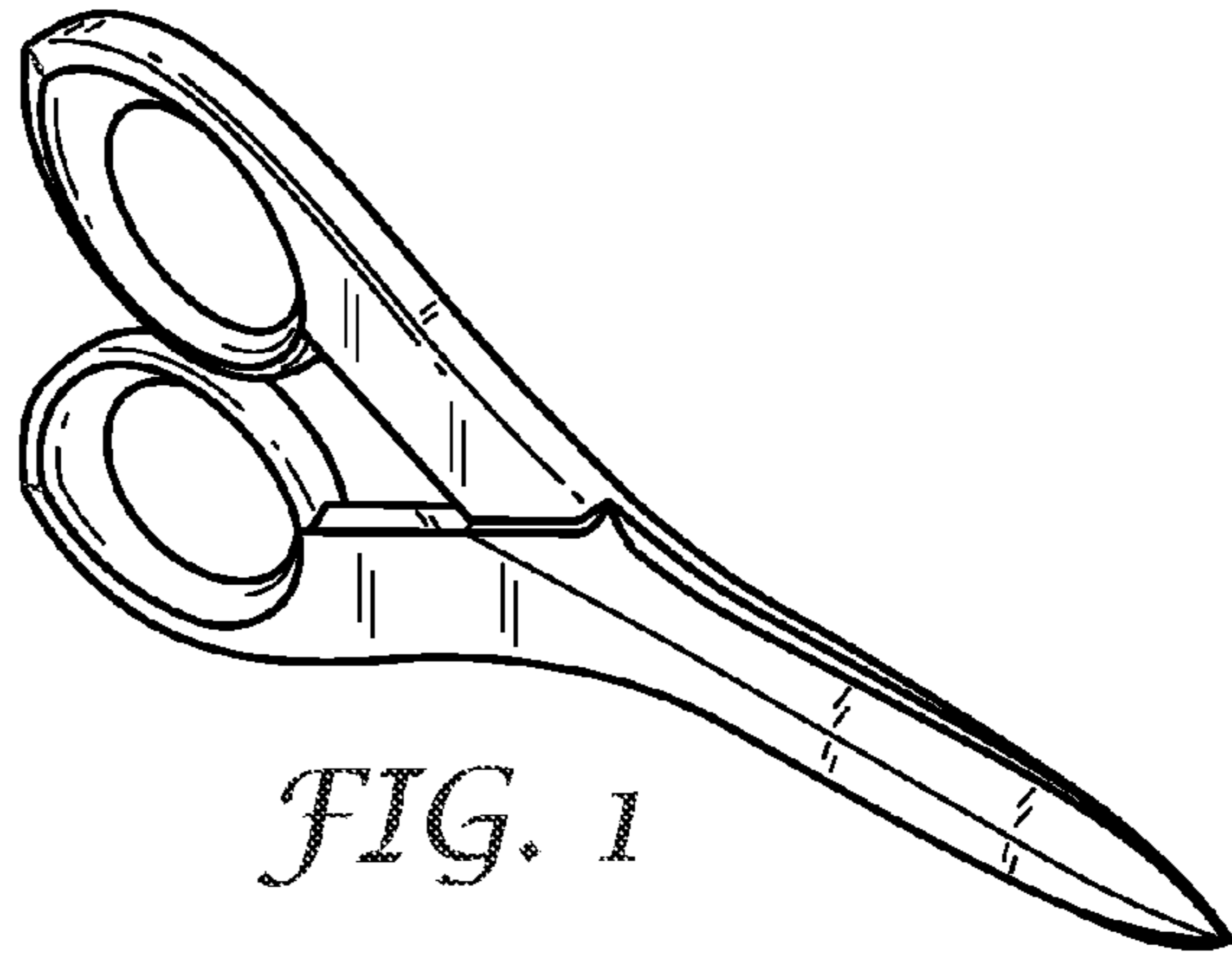


FIG. 1

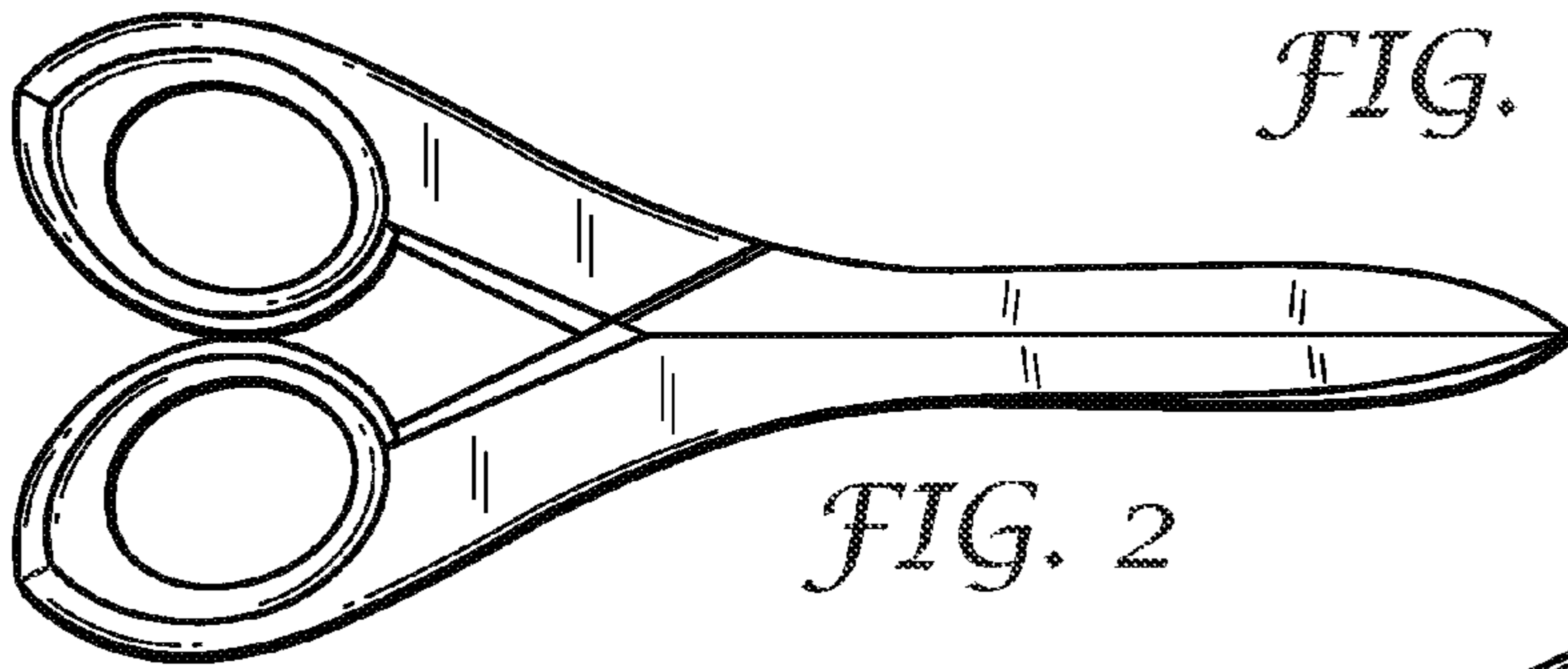


FIG. 2

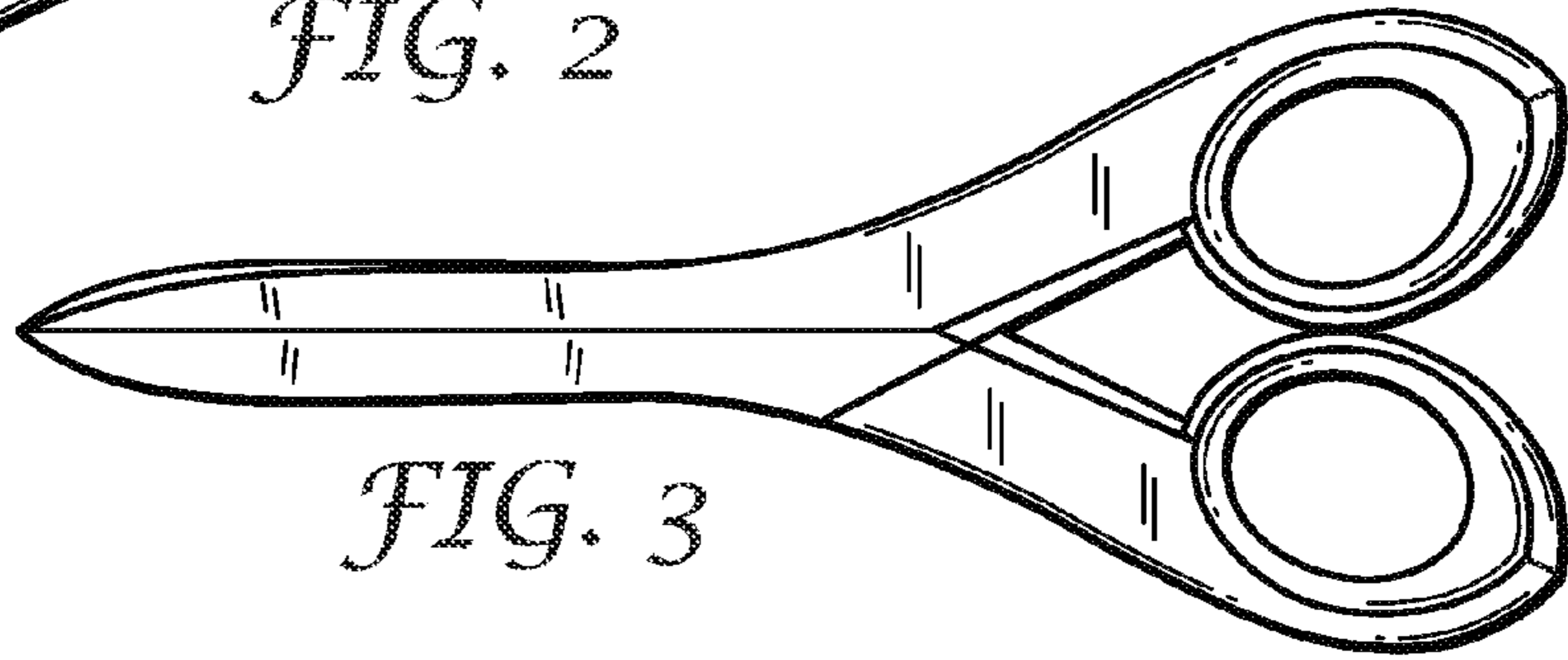


FIG. 3



FIG. 4



FIG. 5



FIG. 6



FIG. 7