

US00D573429S

(12) **United States Design Patent**
McCarthy et al.

(10) **Patent No.:** **US D573,429 S**

(45) **Date of Patent:** **** *Jul. 22, 2008**

(54) **APPLICATOR FOR APPLYING A SHEET MATERIAL TO A SUBSTRATE**

5,824,363 A * 10/1998 Poole et al. 427/207.1
6,808,586 B1 10/2004 Steinhardt
2005/0092420 A1 5/2005 Kinne et al.

(75) Inventors: **Grady Daniel McCarthy**, Montgomery, OH (US); **Timothy Charles Rothwell**, Dublin, OH (US); **Keith Hobart Gausmann**, Westerville, OH (US)

OTHER PUBLICATIONS

U.S. Appl. No. 10/700,614, filed Nov. 4, 2003, Kinne et al.
U.S. Appl. No. 11/413,765, filed Apr. 28, 2006, Dugas et al.

(73) Assignee: **The Procter & Gamble Company**, Cincinnati, OH (US)

* cited by examiner

Primary Examiner—Philip Hyder

(**) Term: **14 Years**

(74) *Attorney, Agent, or Firm*—Jeffrey V. Bamber

(21) Appl. No.: **29/258,930**

(57) **CLAIM**

(22) Filed: **Apr. 28, 2006**

The ornamental design for an applicator for applying a sheet material to a substrate, as shown and described.

(51) **LOC (8) Cl.** **08-05**

DESCRIPTION

(52) **U.S. Cl.** **D8/51**

FIG. 1 is a perspective view of the applicator for applying a sheet material to a substrate;

(58) **Field of Classification Search** D8/14,

D8/51; 156/526, 269, 574, 576, 577, 379.8;

222/43, 80, 83, 89, 90

FIG. 2 is a top view of the applicator;

See application file for complete search history.

FIG. 3 is a rear view of the applicator;

FIG. 4 is a front view of the applicator;

(56) **References Cited**

U.S. PATENT DOCUMENTS

1,960,850 A * 5/1934 Lloyd 156/526

2,658,639 A * 11/1953 Goldberg 156/575

2,662,658 A * 12/1953 Wynn 156/575

4,711,682 A * 12/1987 Barbe et al. 156/71

4,806,184 A * 2/1989 Shannon 156/71

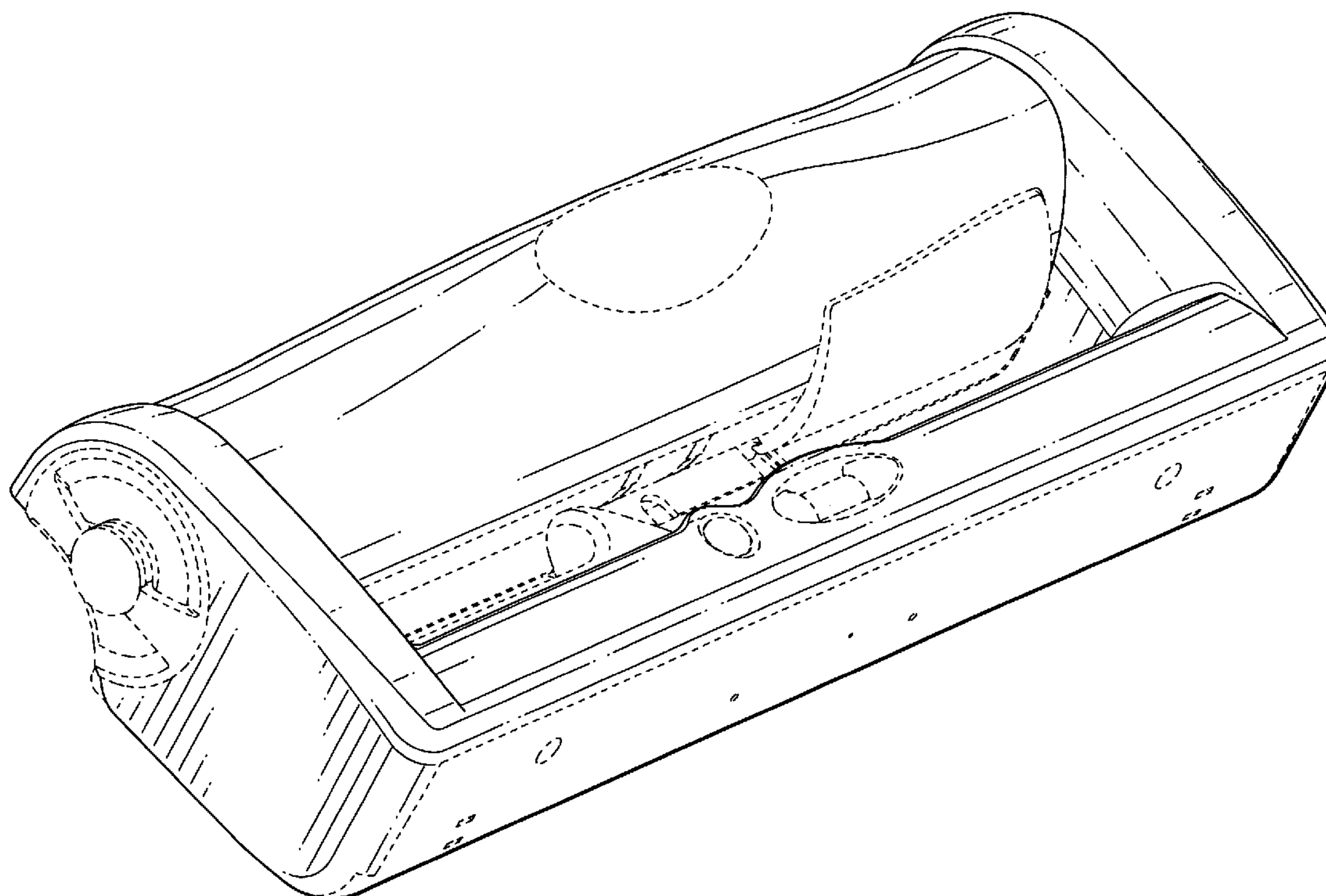
D325,152 S * 4/1992 Poole et al. D8/14

FIG. 5 is a left side view of the applicator, the right side view being the same; and,

FIG. 6 is a bottom view of the applicator.

The broken lines shown in the drawings are for illustrative purposes only and form no part of the claimed design.

1 Claim, 4 Drawing Sheets



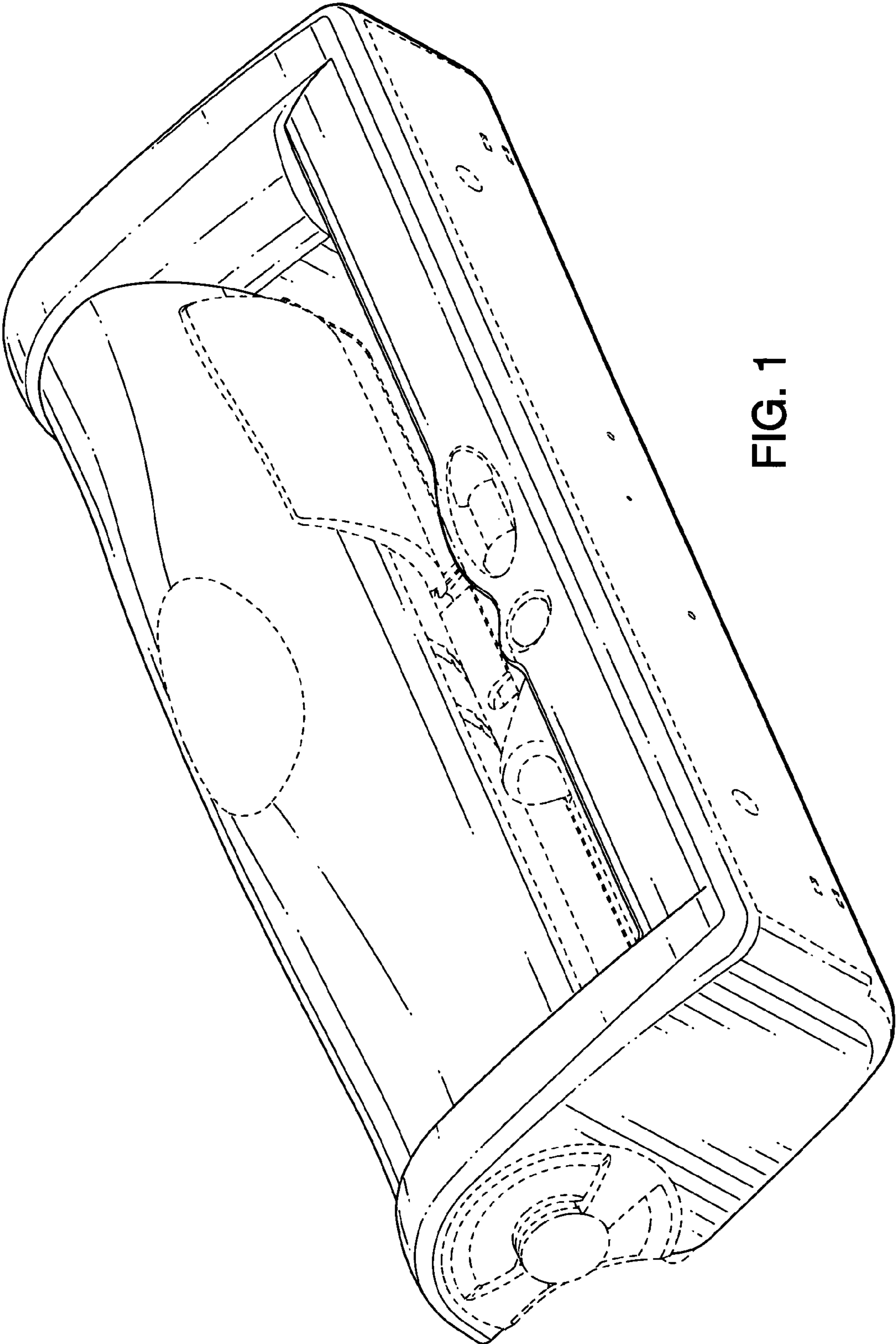


FIG. 1

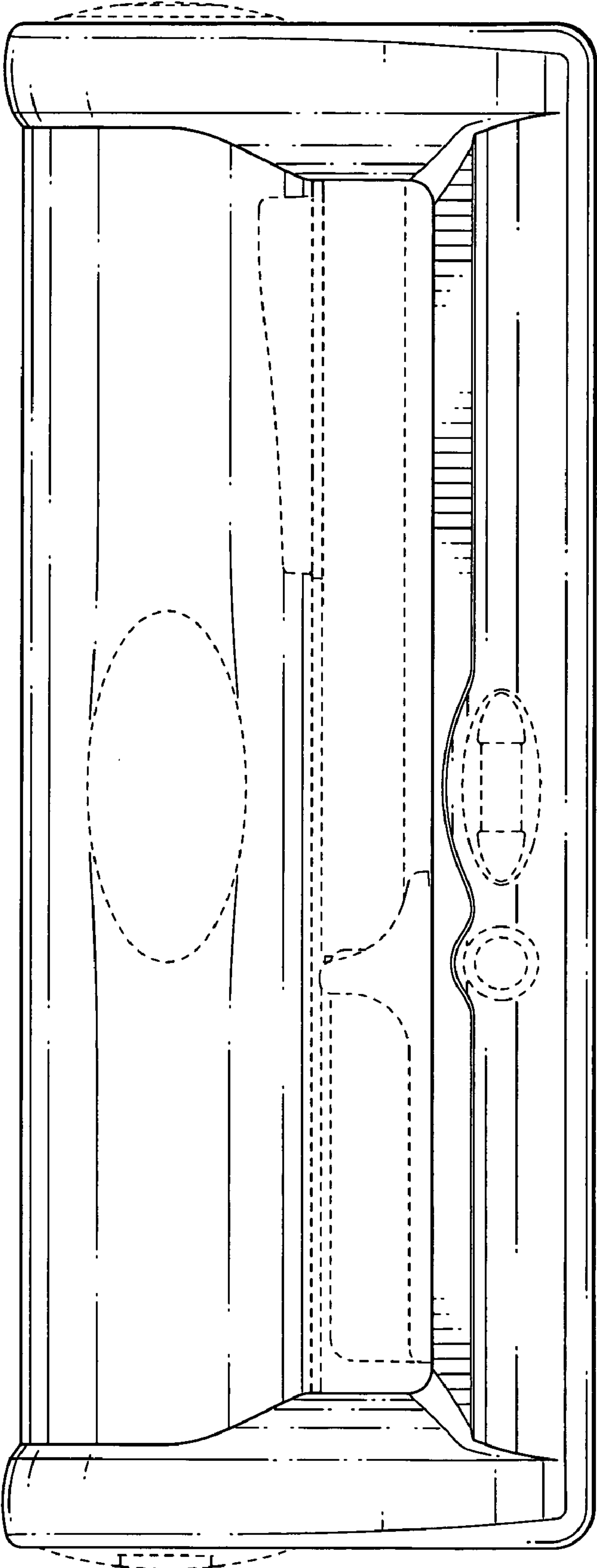


FIG. 2

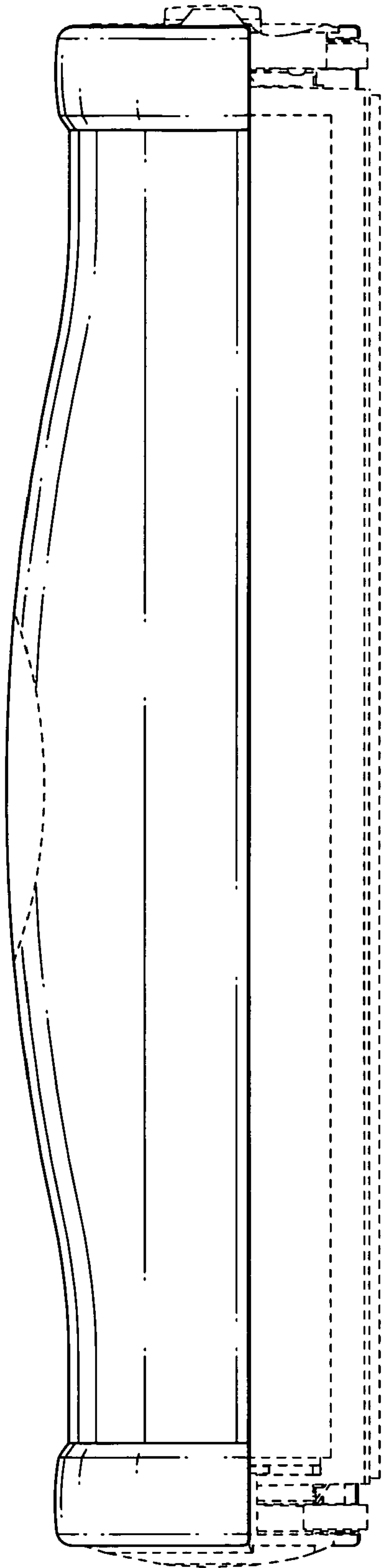


FIG. 3

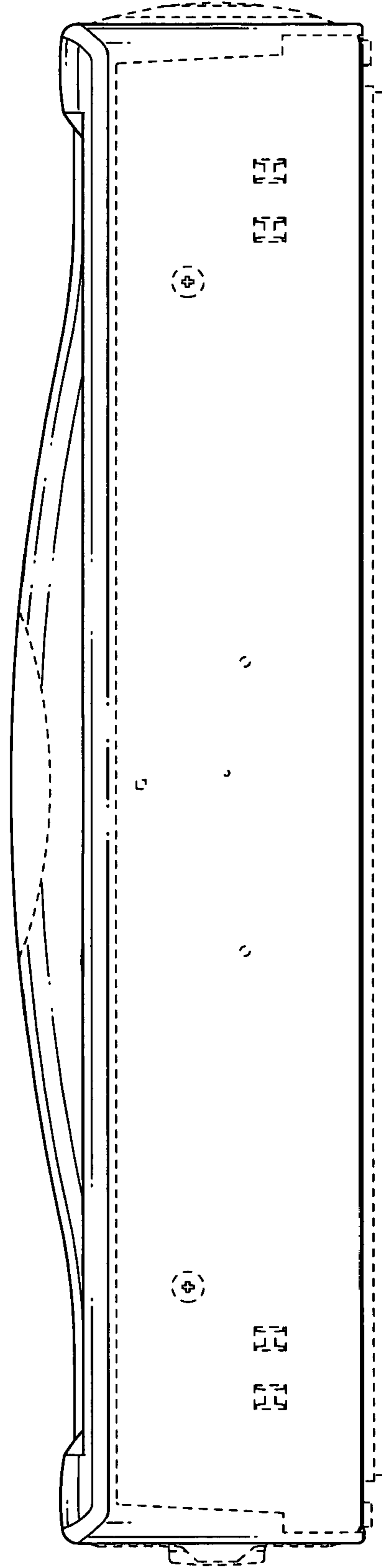


FIG. 4

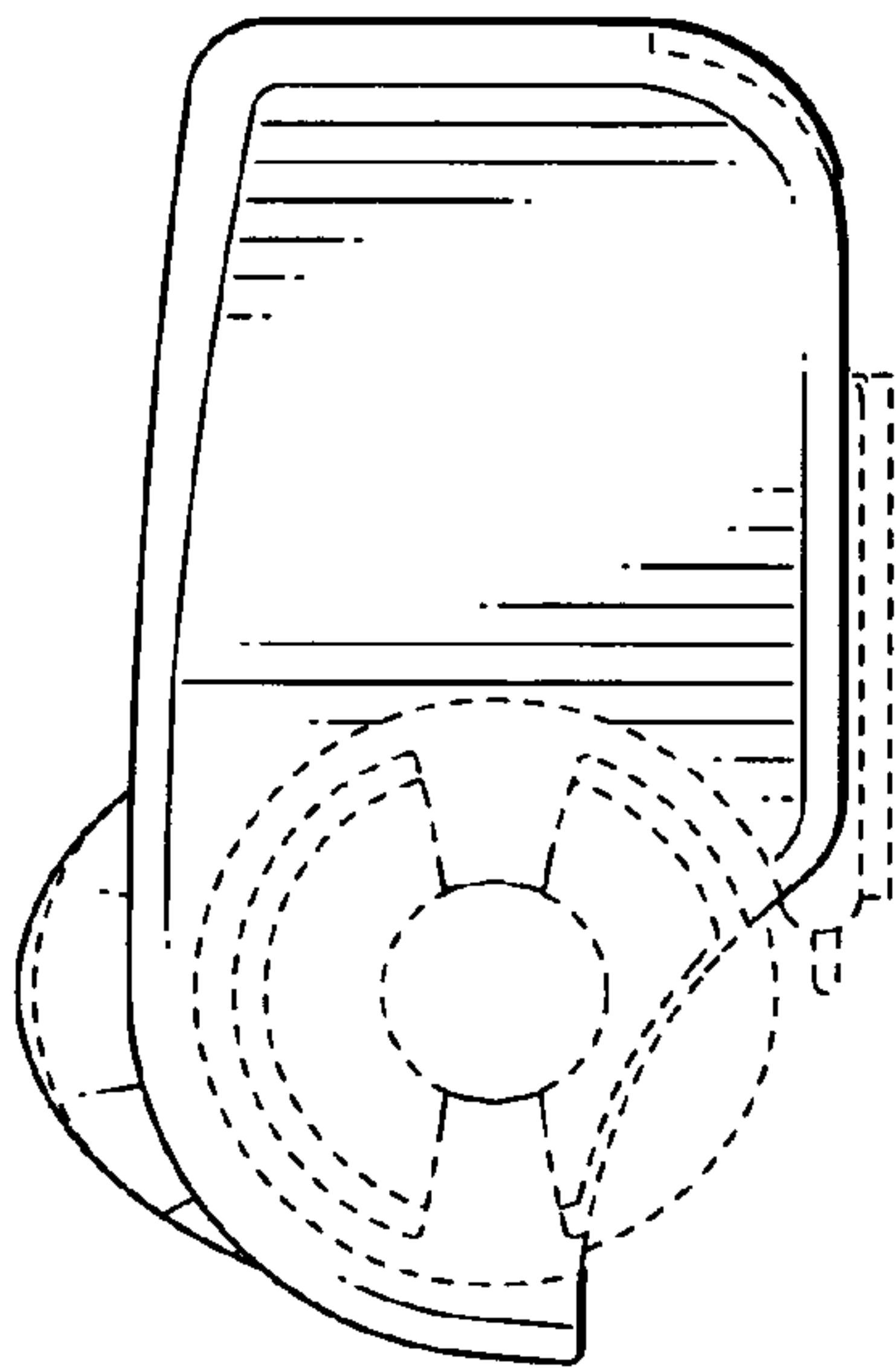


FIG. 5

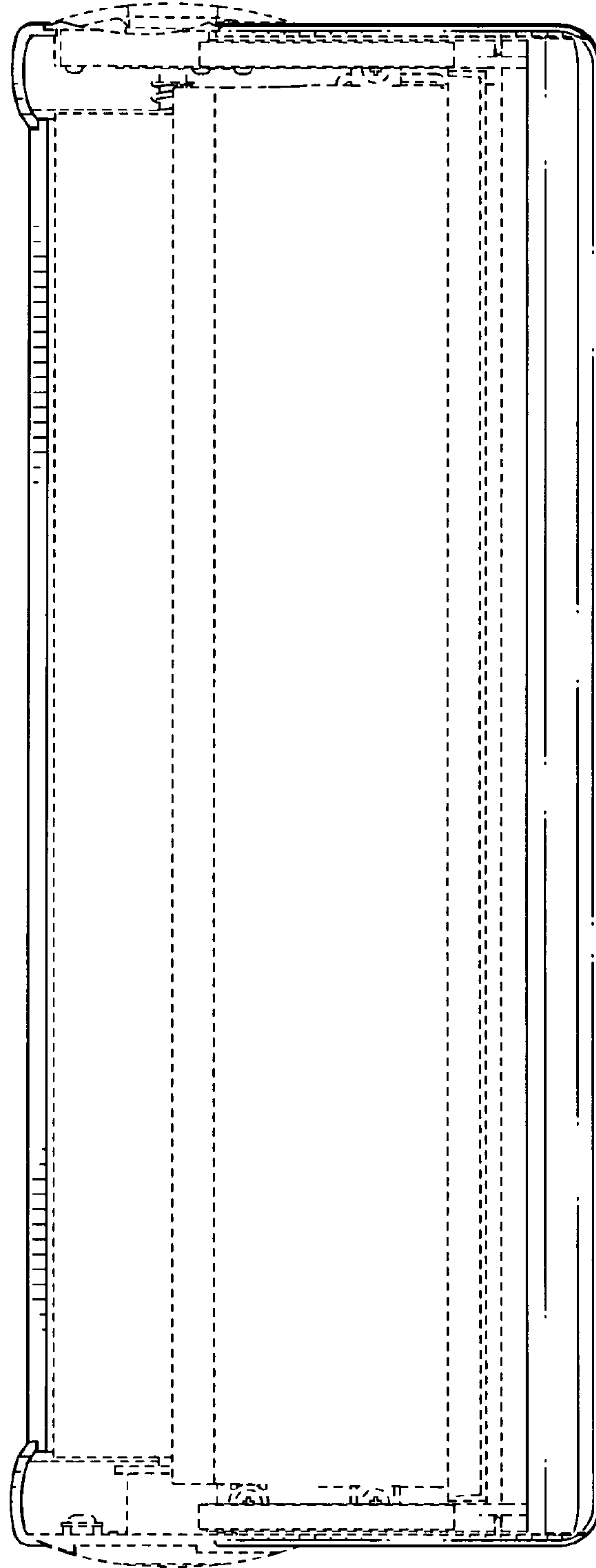


FIG. 6