



US00D573428S

(12) **United States Design Patent**
Fraga

(10) **Patent No.:** **US D573,428 S**
(45) **Date of Patent:** **** Jul. 22, 2008**

(54) **MAGNETIC HAMMER TACKER AND HOLDER**

(76) Inventor: **Juan Carlos Fraga**, 2840 N. 2nd St., North Fort Myers, FL (US) 33917

(**) Term: **14 Years**

(21) Appl. No.: **29/268,966**

(22) Filed: **Nov. 17, 2006**

(51) **LOC (8) Cl.** **19-02**

(52) **U.S. Cl.** **D8/49**

(58) **Field of Classification Search** D8/61-70, D8/49, 50, 51; D19/65; 7/144, 160; 81/57.11, 81/54, 57.42; 173/2, 202; 227/123, 130, 227/2, 8, 131

See application file for complete search history.

(56) **References Cited**

U.S. PATENT DOCUMENTS

D148,032	S	*	12/1947	Lindstrom	D8/49
D168,517	S	*	12/1952	Marano	D8/49
2,655,963	A	*	10/1953	Dell	81/492
3,113,317	A	*	12/1963	Carlson, Sr. et al.	227/128
D272,983	S	*	3/1984	Biddle	D8/51
D324,476	S	*	3/1992	King, III	D8/107
D417,375	S	*	12/1999	Fealey et al.	D8/49
6,047,427	A	*	4/2000	Whitlock et al.	7/144

6,823,592	B1	*	11/2004	Rowe	30/329
7,228,998	B1	*	6/2007	Schulz et al.	227/147
2006/0253996	A1	*	11/2006	Bianco	7/160
2007/0205247	A1	*	9/2007	Ebbesson et al.	227/120

* cited by examiner

Primary Examiner—Cathron C. Brooks

Assistant Examiner—Austin Murphy

(74) *Attorney, Agent, or Firm*—Albert Bordas, P.A.

(57) **CLAIM**

I claim the ornamental design for a magnetic hammer tacker and holder, as shown and described.

DESCRIPTION

FIG. 1 is a side perspective view of the magnetic hammer tacker and holder

FIG. 2 is a right side view thereof;

FIG. 3 is a left side view thereof;

FIG. 4 is front elevational view thereof;

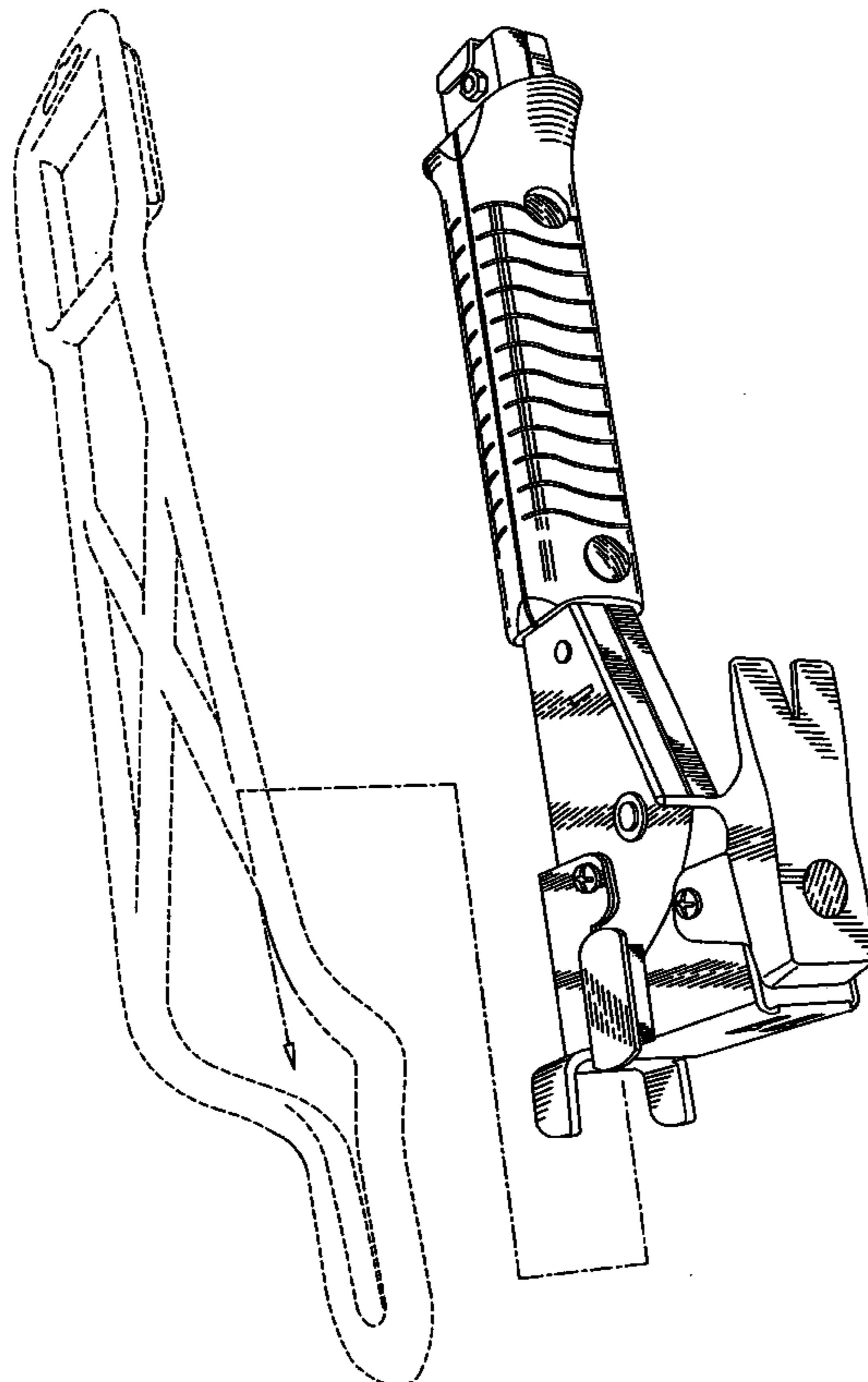
FIG. 5 is a rear elevational view thereof;

FIG. 6 is a bottom plan view thereof; and,

FIG. 7 is a top plan view thereof.

The broken line showing are for illustrative purpose only and form no part of the claimed design.

1 Claim, 3 Drawing Sheets



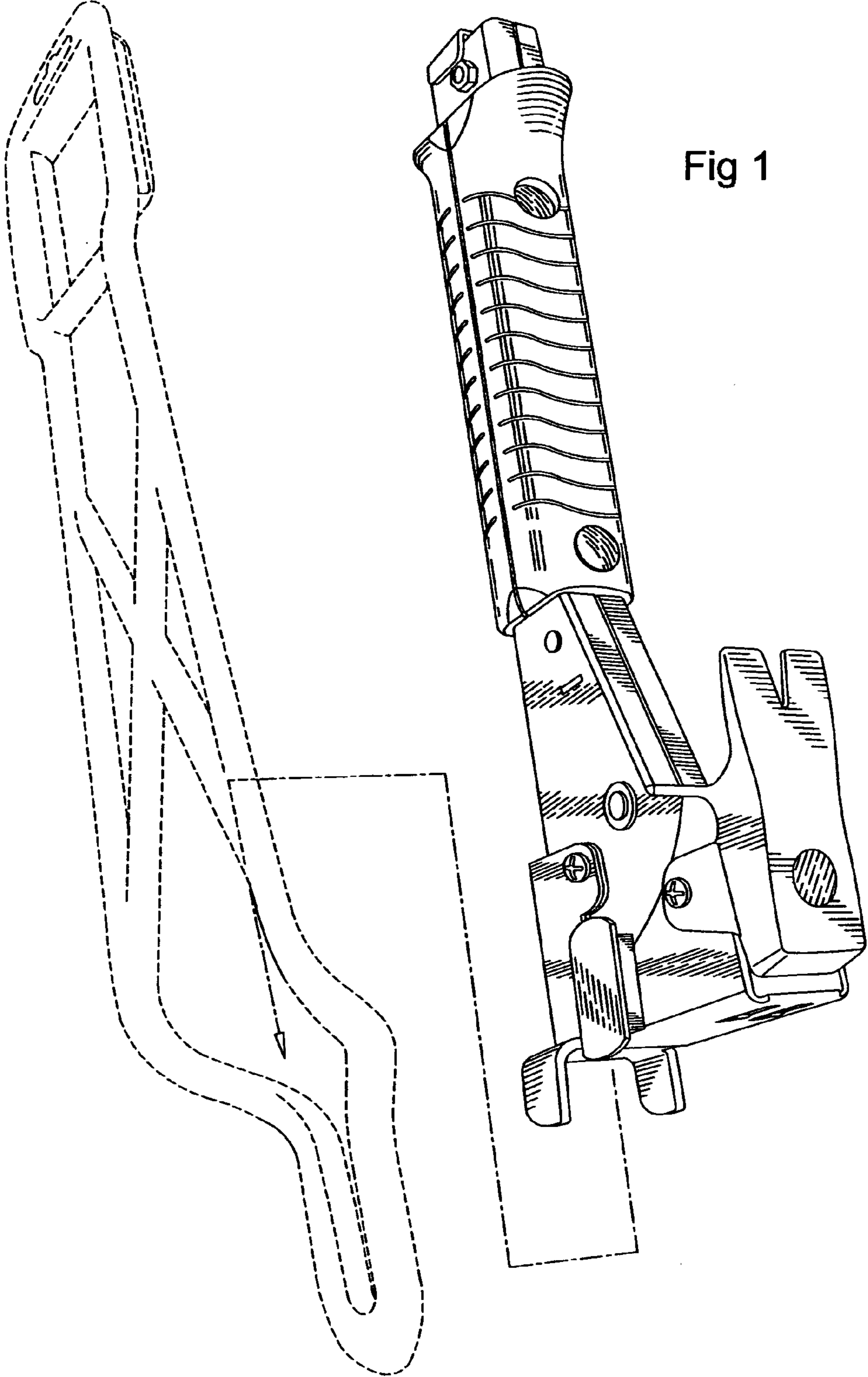


Fig 1

Fig 2

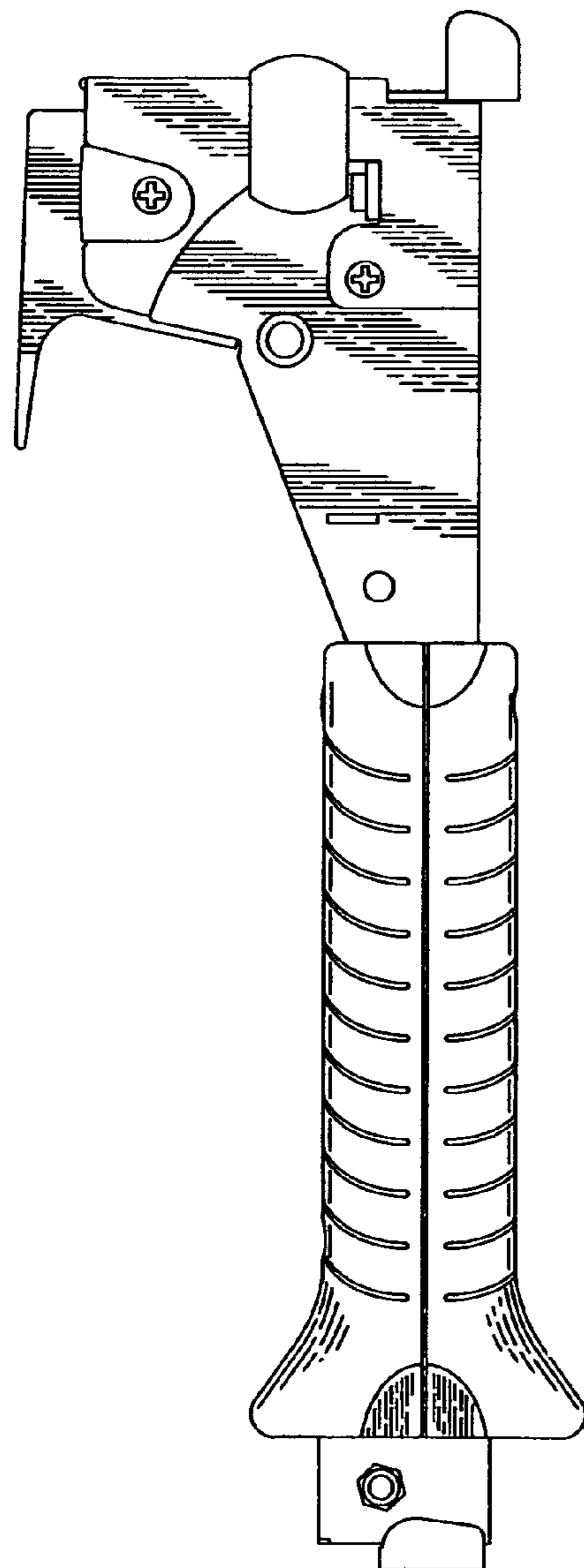


Fig 3

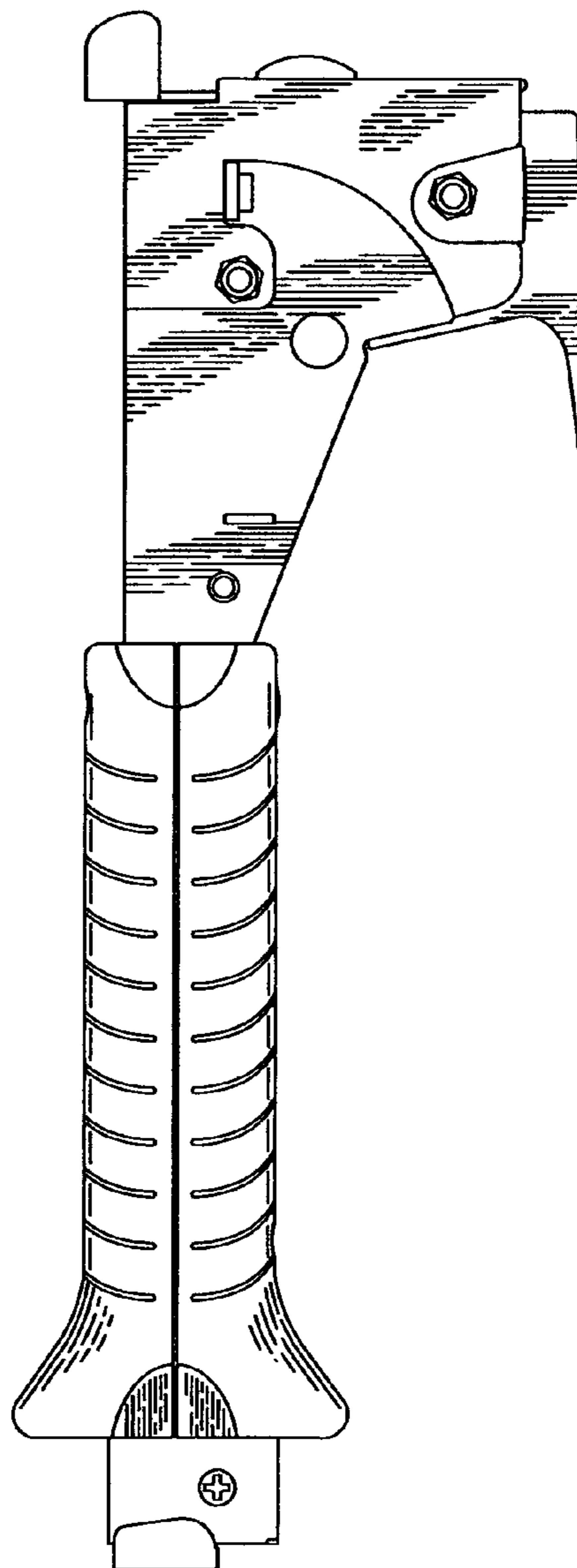


Fig 4

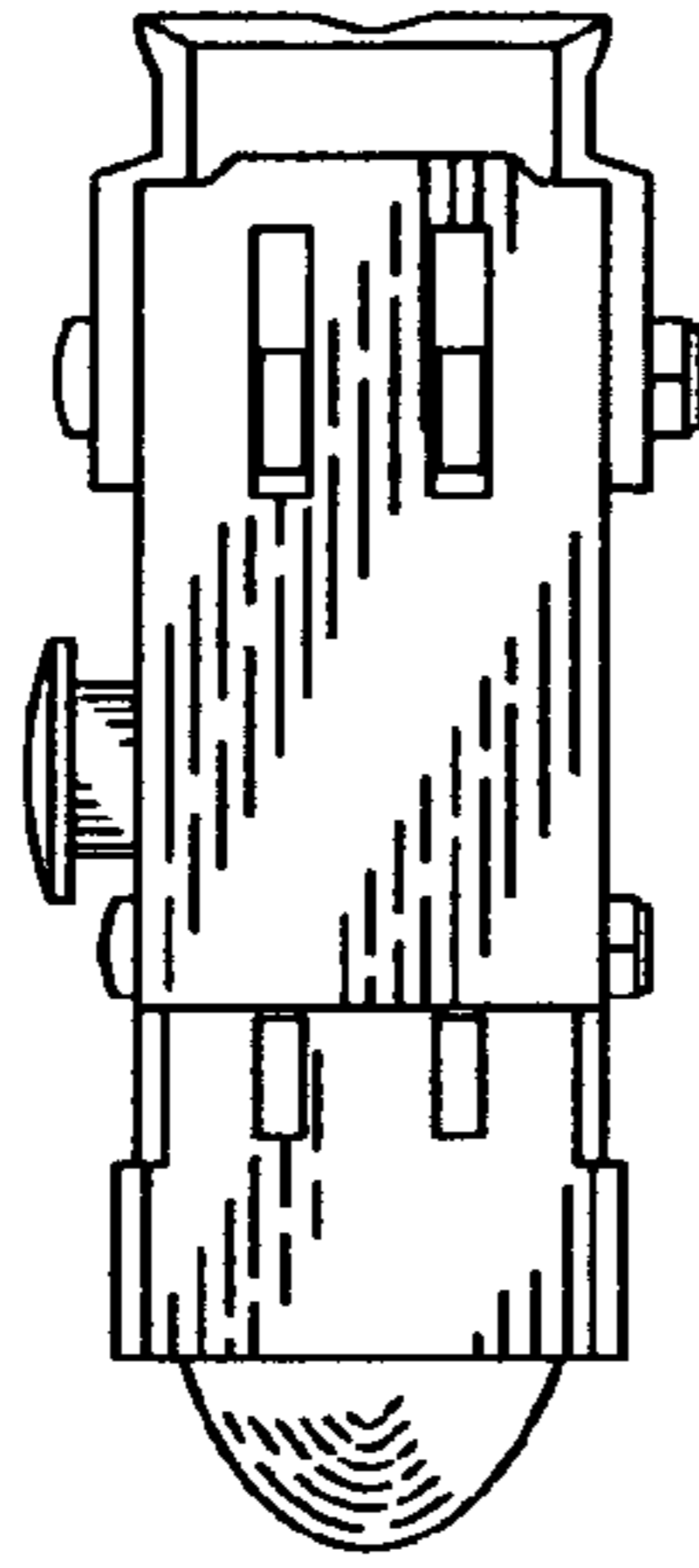


Fig 5

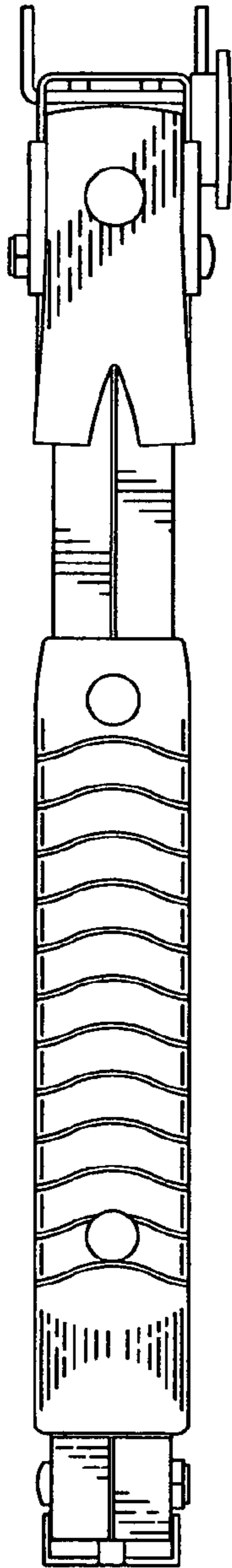
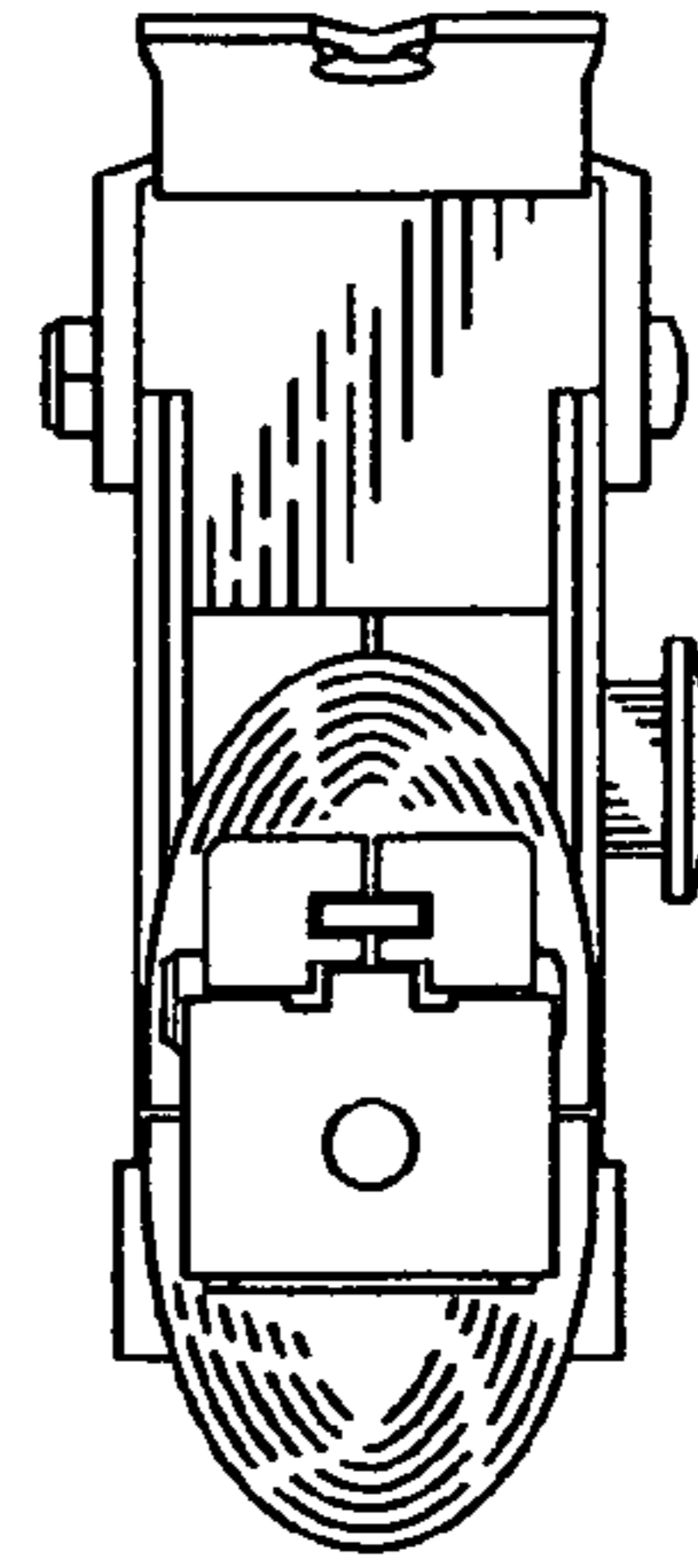


Fig 6

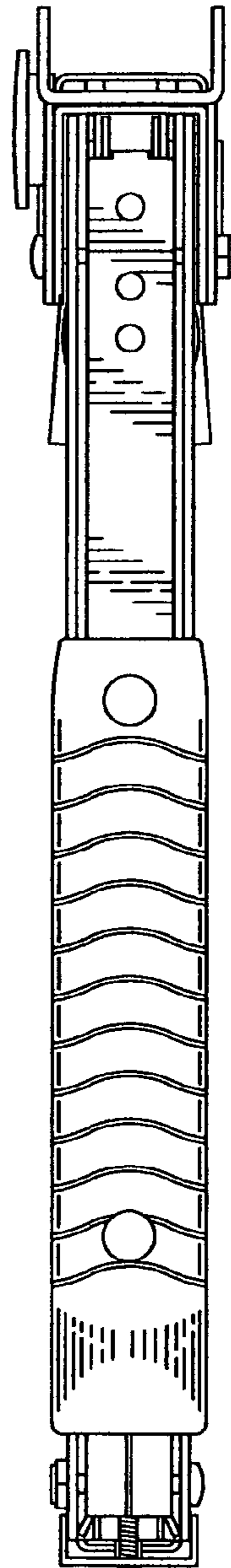


Fig 7