



US00D573427S

(12) **United States Design Patent**
Selby

(10) **Patent No.:** **US D573,427 S**

(45) **Date of Patent:** **** Jul. 22, 2008**

(54) **RATCHET HANDLE GRIP**

(75) Inventor: **Ricky W. Selby**, Moosup, CT (US)

(73) Assignee: **Keeper Corporation**, North Windham, CT (US)

(**) Term: **14 Years**

(21) Appl. No.: **29/294,350**

(22) Filed: **Jan. 7, 2008**

(51) **LOC (8) Cl.** **08-05**

(52) **U.S. Cl.** **D8/44; D8/107**

(58) **Field of Classification Search** D8/21-29,
D8/44, 81-87, 102-107, 98, 99, 55, 93, 94;
81/60, 63.2, 177.1, 177.85, 177.8, 489, 125.1,
81/121.1, 119-120, 176.1, 186, 177.9, 185.1,
81/176.2, 165, 170, 3.35, 58, 3.345, 155;
206/378; 16/429, 441, 124.6; 7/100, 138,
7/168, 157; D24/146

See application file for complete search history.

(56) **References Cited**

U.S. PATENT DOCUMENTS

D284,259 S *	6/1986	Oury	D8/303
D374,518 S *	10/1996	McIntyre	D30/153
D384,873 S *	10/1997	Aquilina	D8/107
D461,390 S *	8/2002	Livingston	D8/303
D482,591 S *	11/2003	Lisle et al.	D8/107
D512,894 S *	12/2005	Nimphius	D8/303
D527,606 S *	9/2006	Jackson	D8/107

D534,249 S *	12/2006	Gilbert	D26/49
D534,671 S *	1/2007	Kim	D26/49
D543,433 S *	5/2007	Gao	D8/107
D554,465 S *	11/2007	Laurienzo et al.	D8/303
2004/0083575 A1 *	5/2004	Chou	16/110.1

* cited by examiner

Primary Examiner—Raphael Barkai

Assistant Examiner—Randall H Gholson

(74) *Attorney, Agent, or Firm*—M. P. Williams

(57) **CLAIM**

I claim the ornamental design for ratchet handle grip, as shown and described.

DESCRIPTION

FIG. 1 is a top view of the ratchet handle grip of my design.

FIG. 2 is a right side view thereof.

FIG. 3 is a left side view thereof.

FIG. 4 is a view taken along the line 4—4 of FIG. 1.

FIG. 5 is a rear view thereof.

FIG. 6 is a bottom view thereof.

FIG. 7 is a perspective view of the right and top sides thereof; and,

FIG. 8 is a perspective view of the right and rear sides thereof.

The broken lines depict environmental structure that form no part of the design to be patented.

1 Claim, 1 Drawing Sheet

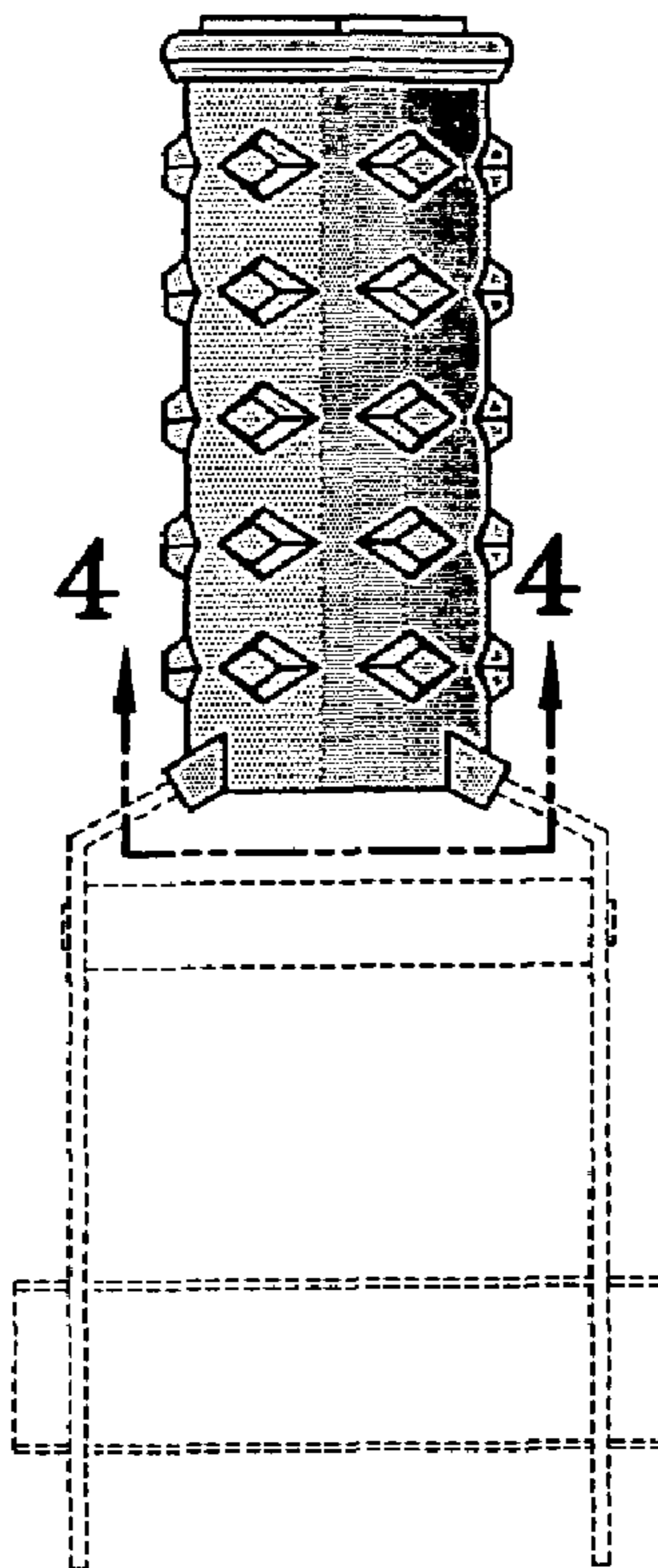


FIG. 3

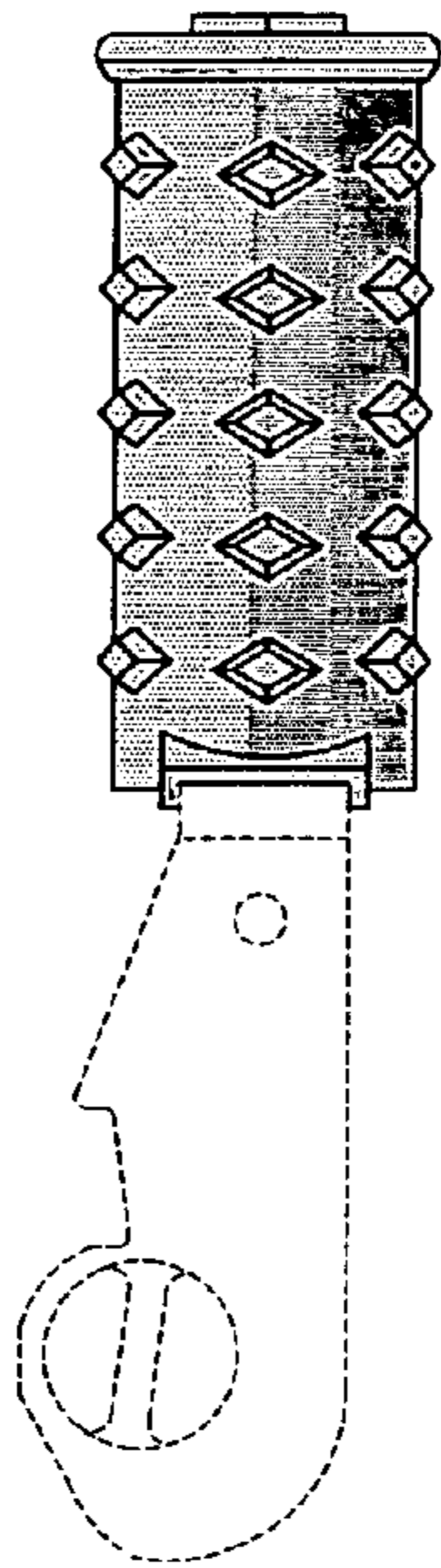


FIG. 1

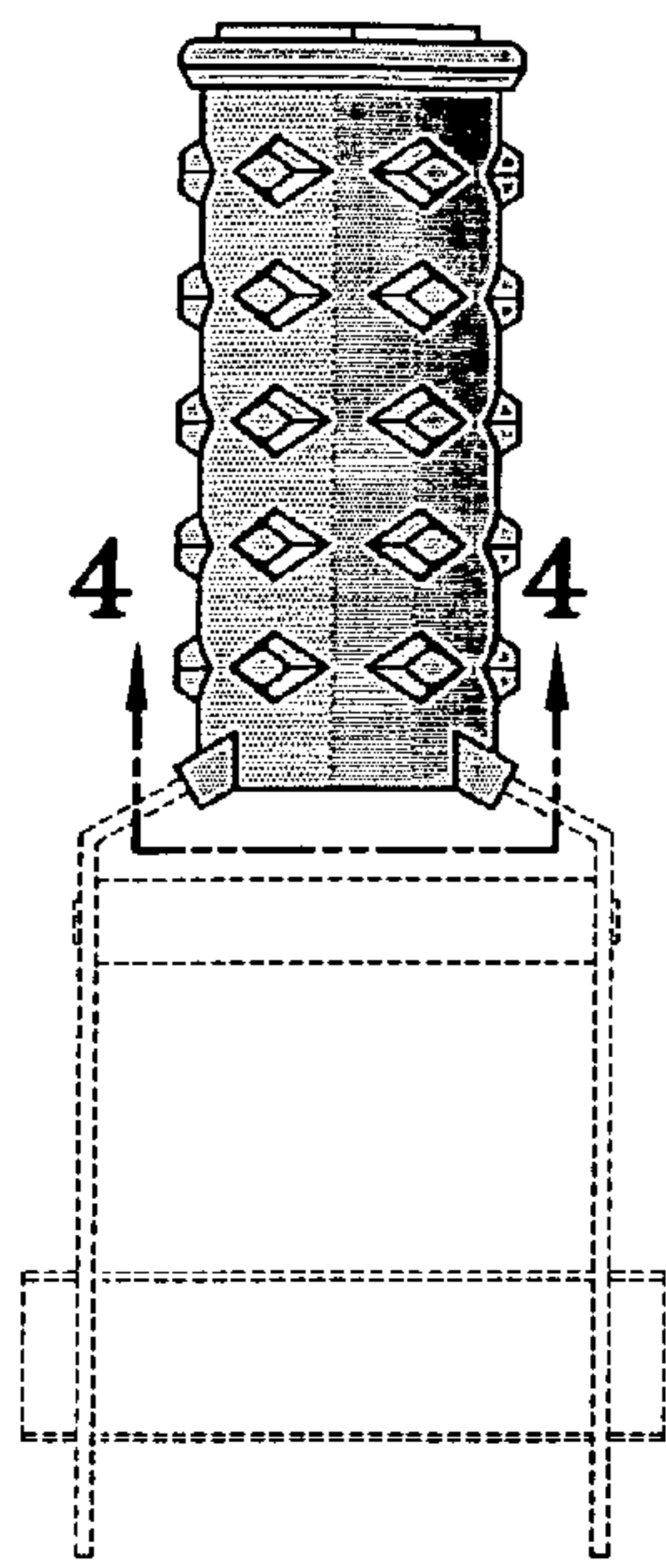


FIG. 2

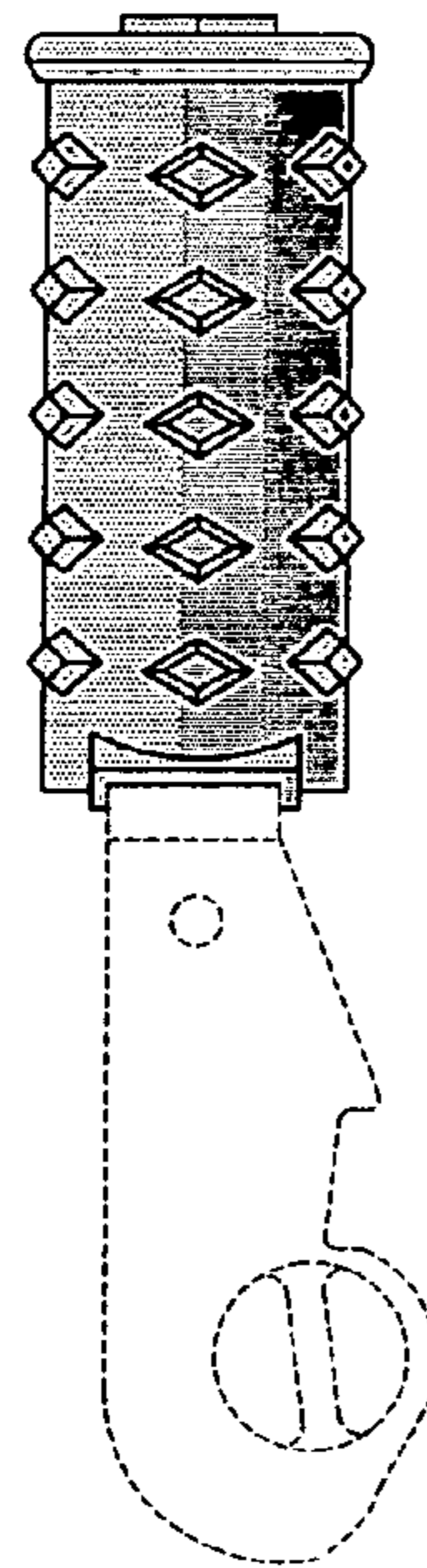


FIG. 4

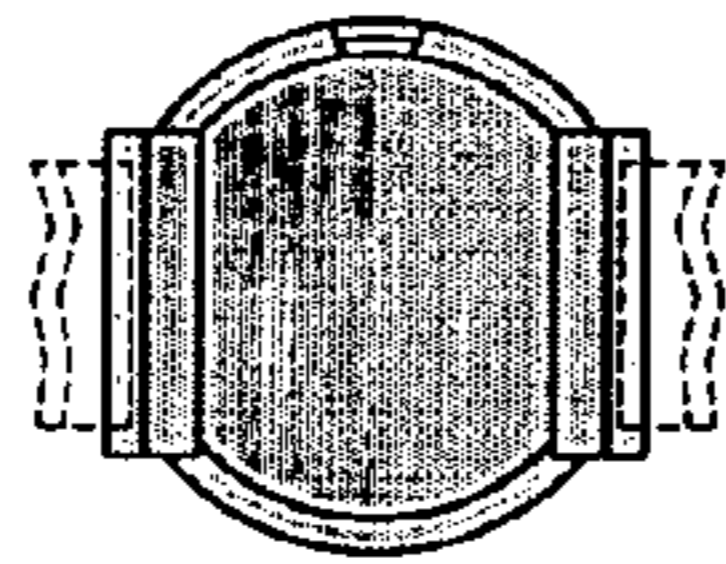


FIG. 5

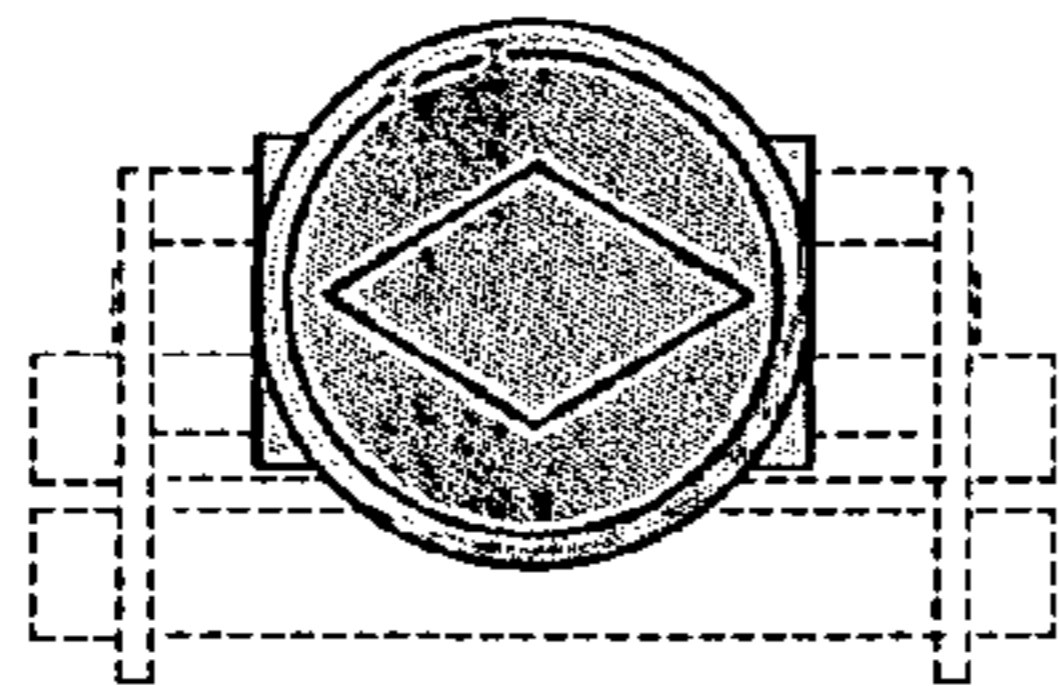


FIG. 6

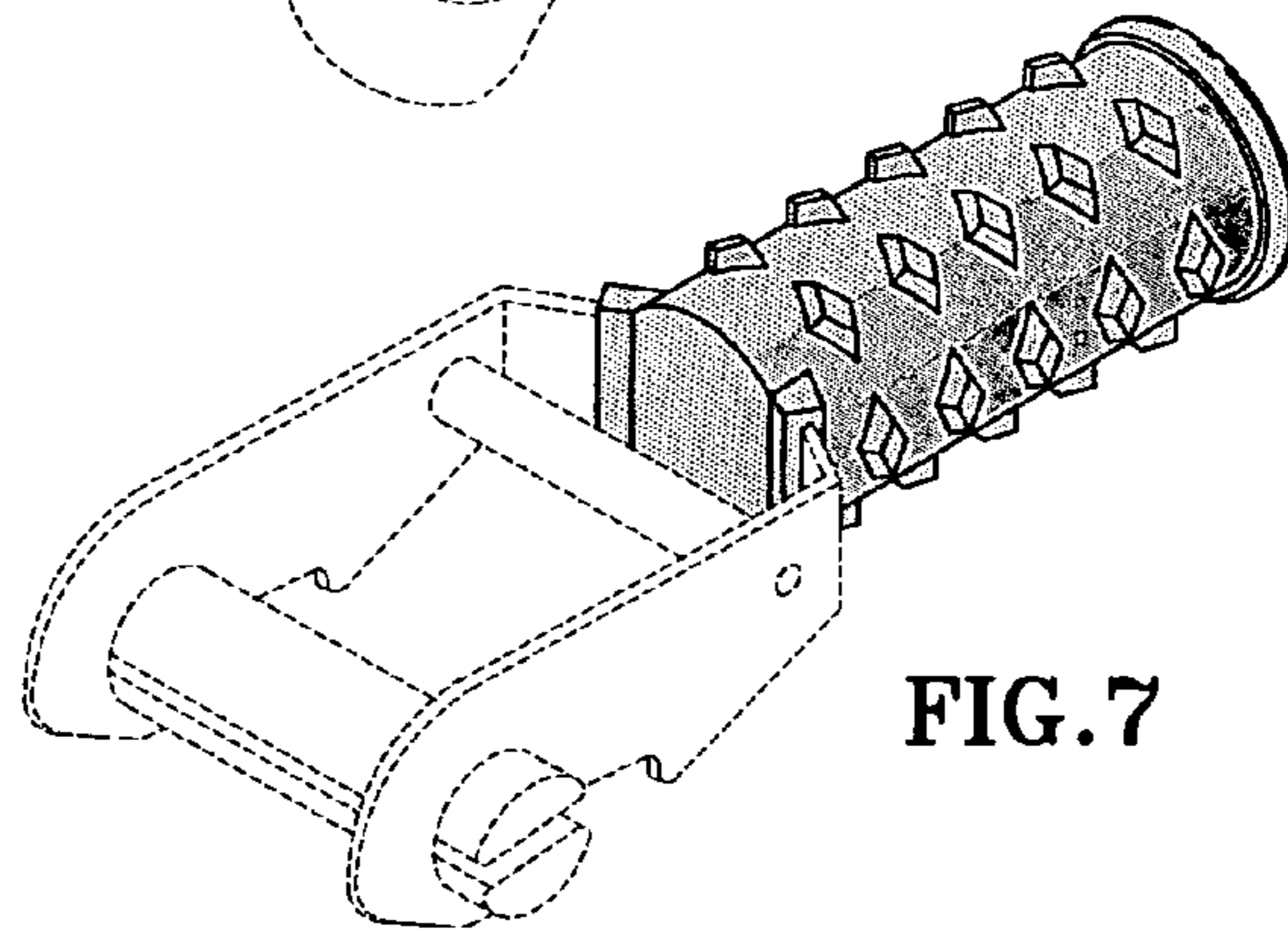
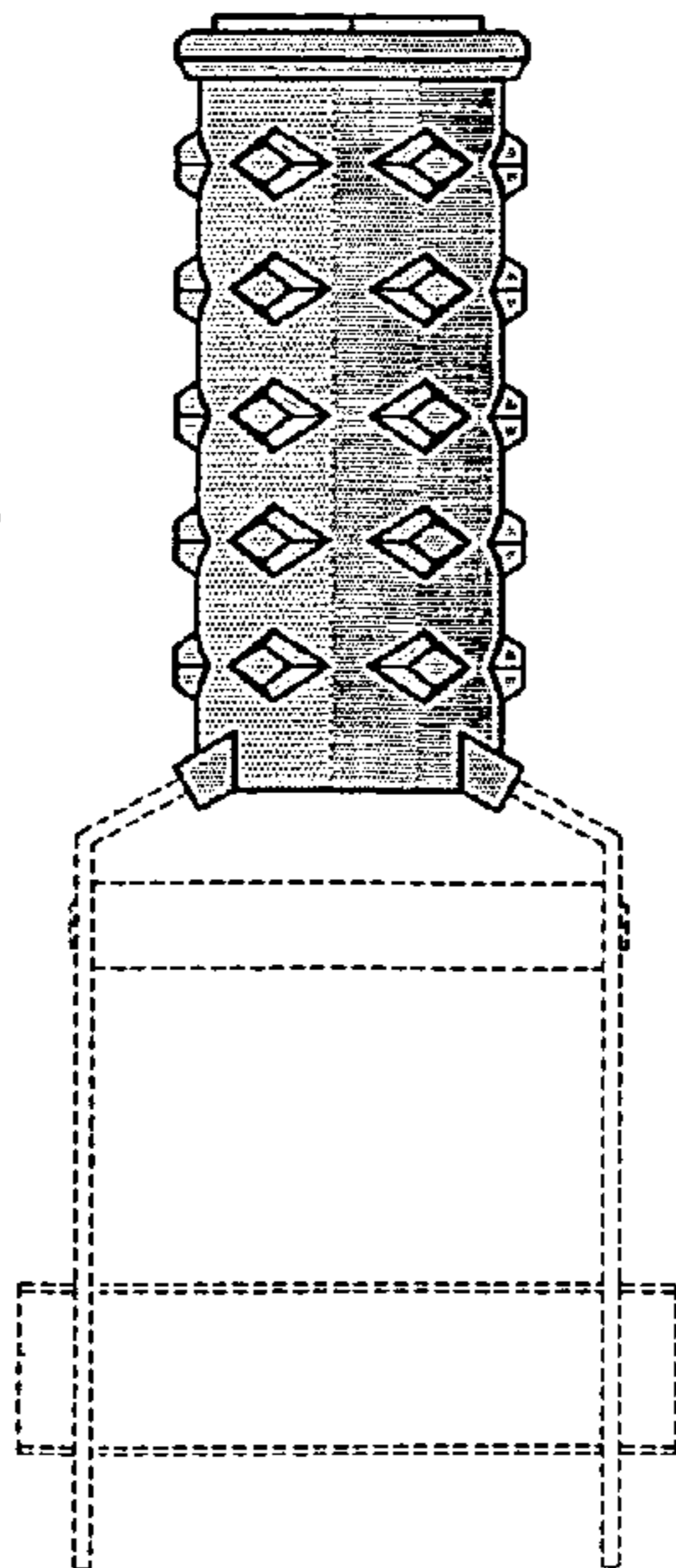


FIG. 7

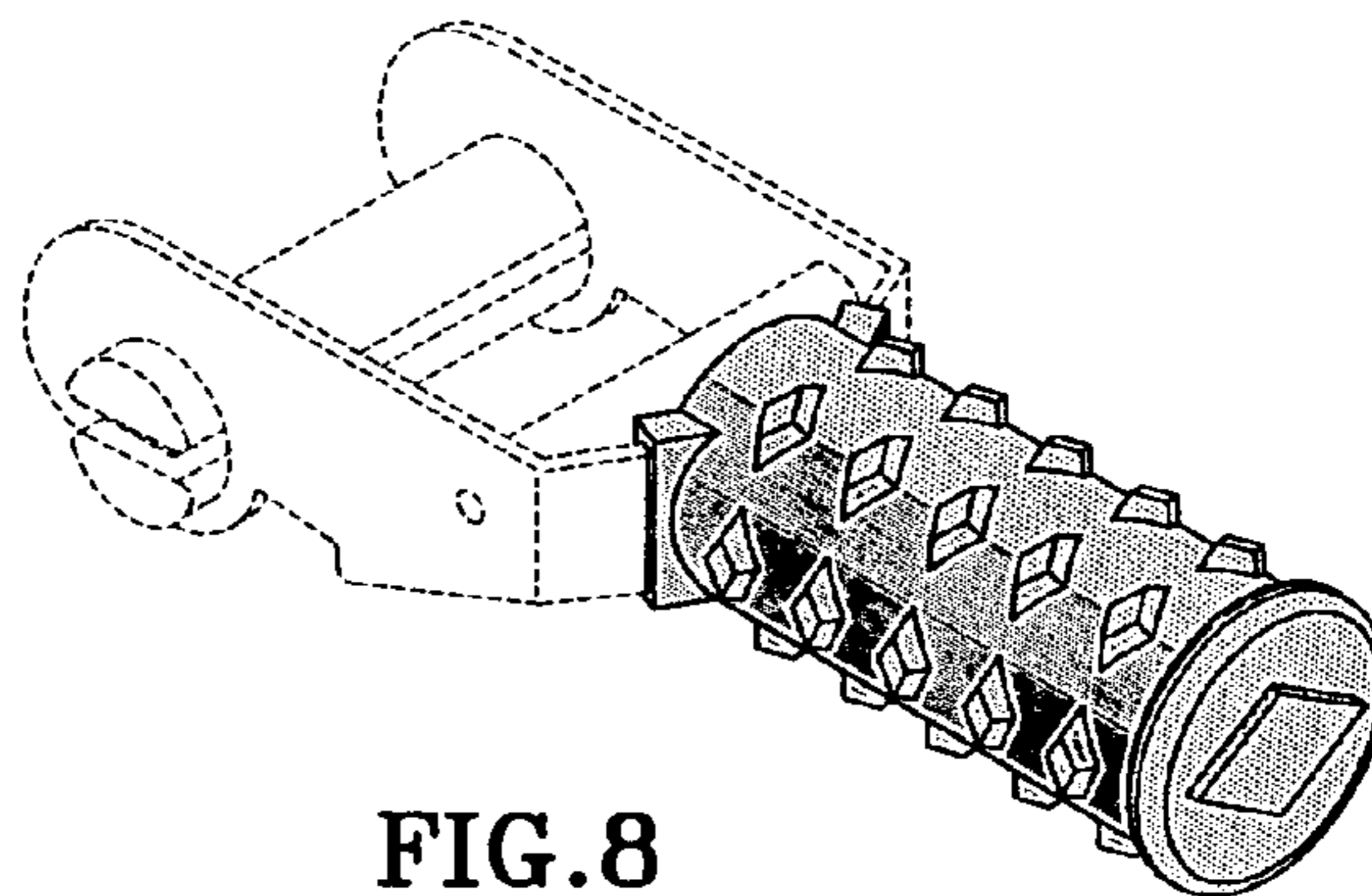


FIG. 8