



US00D573426S

(12) **United States Design Patent**
DeRuntz et al.

(10) **Patent No.:** **US D573,426 S**
(45) **Date of Patent:** **** Jul. 22, 2008**

(54) **WIRE CONNECTOR DRIVER**

(75) Inventors: **Bruce D. DeRuntz**, Carbondale, IL
(US); **Christopher R. DeRuntz**, Granite
City, IL (US)

(73) Assignee: **Southern Illinois University**,
Carbondale, IL (US)

(**) Term: **14 Years**

(21) Appl. No.: **29/268,340**

(22) Filed: **Nov. 3, 2006**

(51) **LOC (8) Cl.** **08-05**

(52) **U.S. Cl.** **D8/21**

(58) **Field of Classification Search** D13/156;
D8/499, 14, 21; 81/177.1, 177.85, 120, 121.1,
81/58.3, 58.4; 16/22, 429, 110.1, 111.1
See application file for complete search history.

(56) **References Cited**

U.S. PATENT DOCUMENTS

2,959,995	A	11/1960	Linden	
3,769,862	A	11/1973	Miller	
3,787,948	A *	1/1974	Runge	81/121.1
4,357,845	A	11/1982	Cornia	
4,823,650	A	4/1989	Tuttle	
4,860,618	A	8/1989	Givot	
D329,795	S	9/1992	Bird	
5,379,809	A	1/1995	Waulk	
5,697,268	A	12/1997	Makovsky	

5,784,935	A	7/1998	Korinek	
D398,493	S *	9/1998	Jones	D8/21
5,832,796	A	11/1998	Chopra	
D416,267	S	11/1999	Reilly	
5,974,916	A *	11/1999	Lassiter	81/121.1
D466,766	S *	12/2002	Marty et al.	D8/21
D480,283	S *	10/2003	Brown	D8/21
6,922,887	B1	8/2005	Keswani	
7,051,392	B2	5/2006	Dominguez	
D524,613	S *	7/2006	Chen	D8/21
D537,416	S *	2/2007	Fortin et al.	D13/156
D561,545	S *	2/2008	Jahn	D8/21

* cited by examiner

Primary Examiner—Brian N Vinson

(74) *Attorney, Agent, or Firm*—Polsinelli Shalton Flanigan
Suelthaus PC

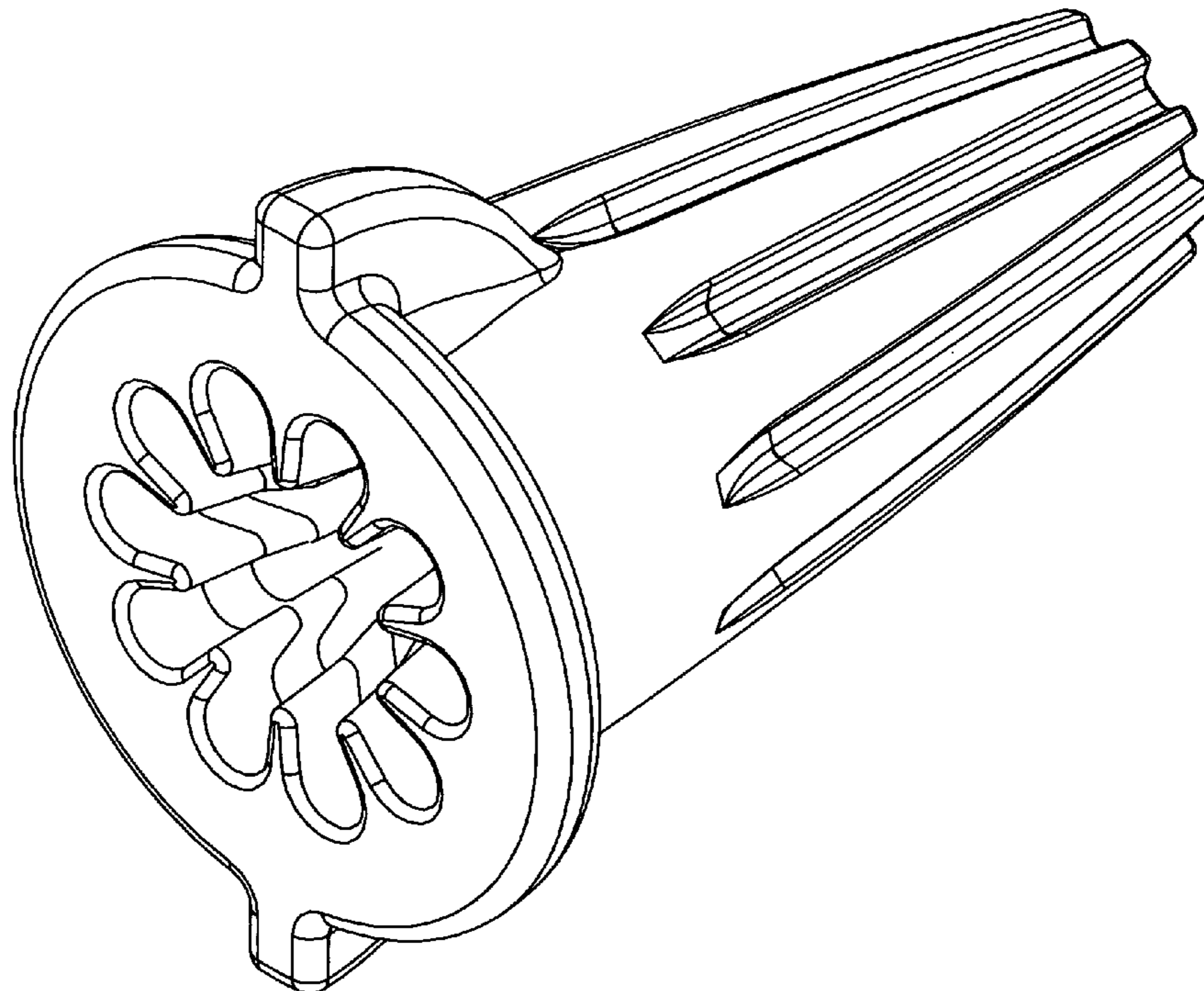
(57) **CLAIM**

The ornamental design for a wire connector driver, as shown.

DESCRIPTION

FIG. 1 is a side view of the wire connector driver;
FIG. 2 is a bottom view of the wire connector driver of FIG. 1;
FIG. 3 is a top view of the wire connector driver of FIG. 1;
FIG. 4 is a trimetric view of the wire connector driver of FIG. 1; and,
FIG. 5 is a front view of the wire connector driver of FIG. 1.

1 Claim, 5 Drawing Sheets



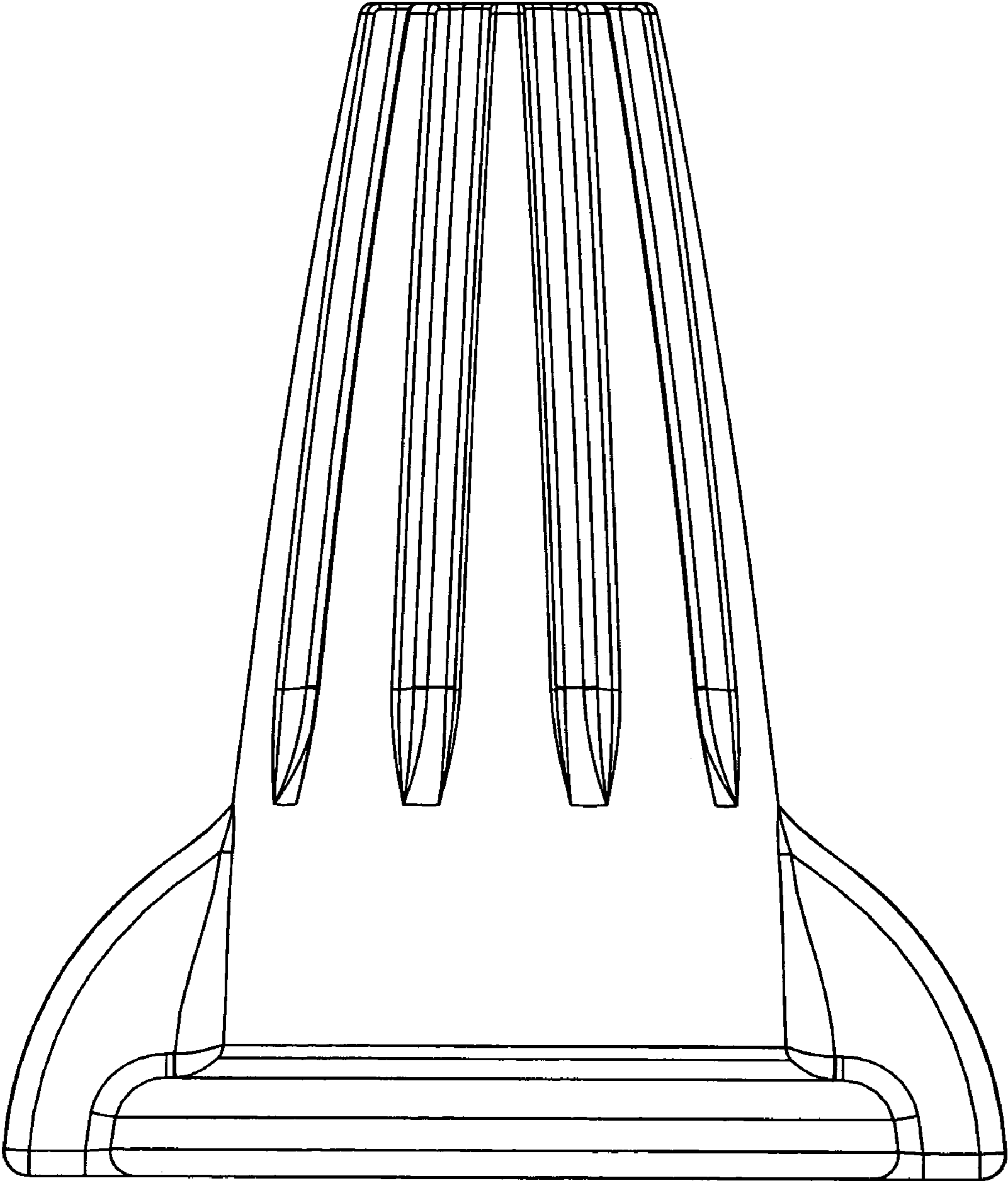


Fig. 1

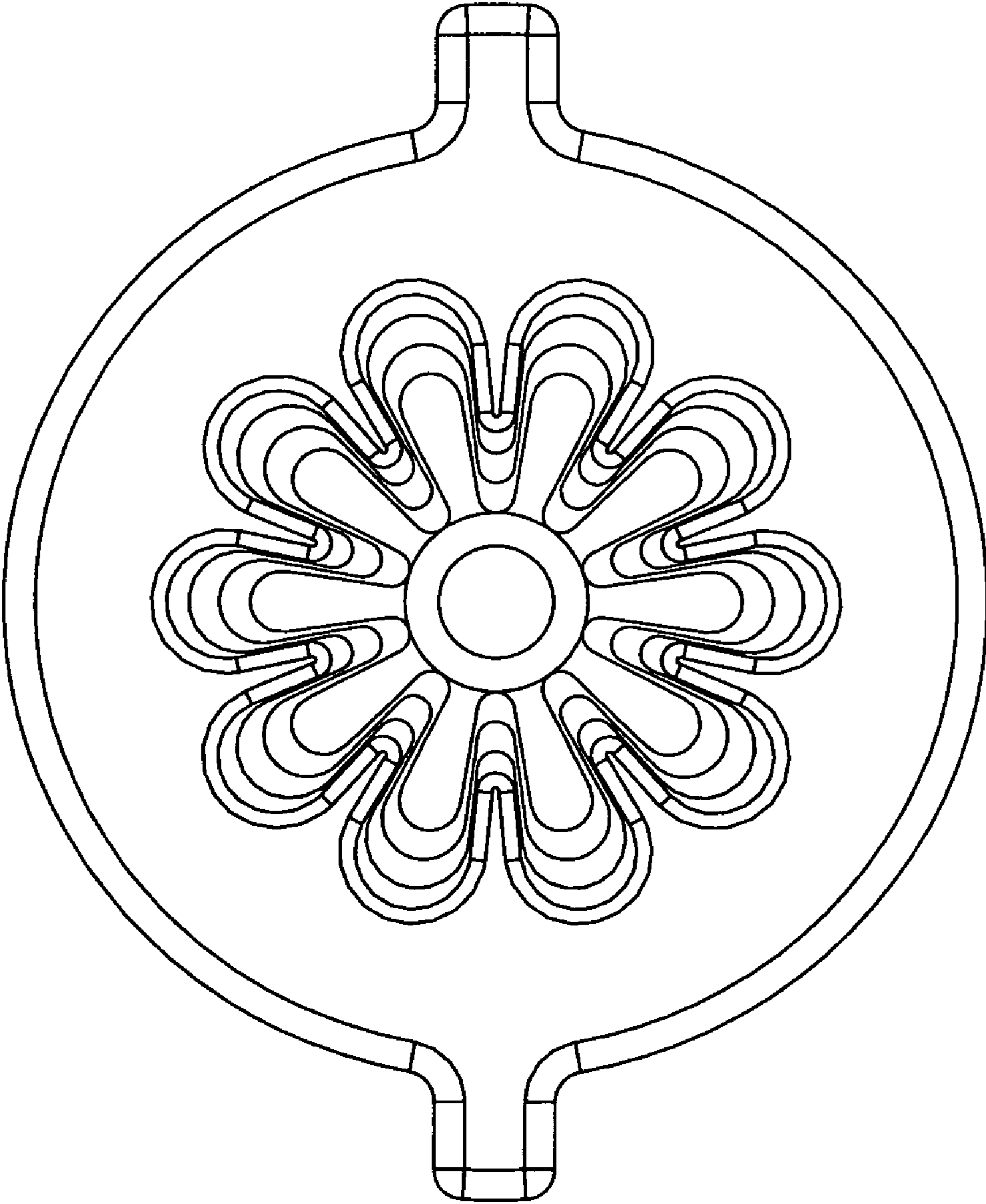


Fig. 2

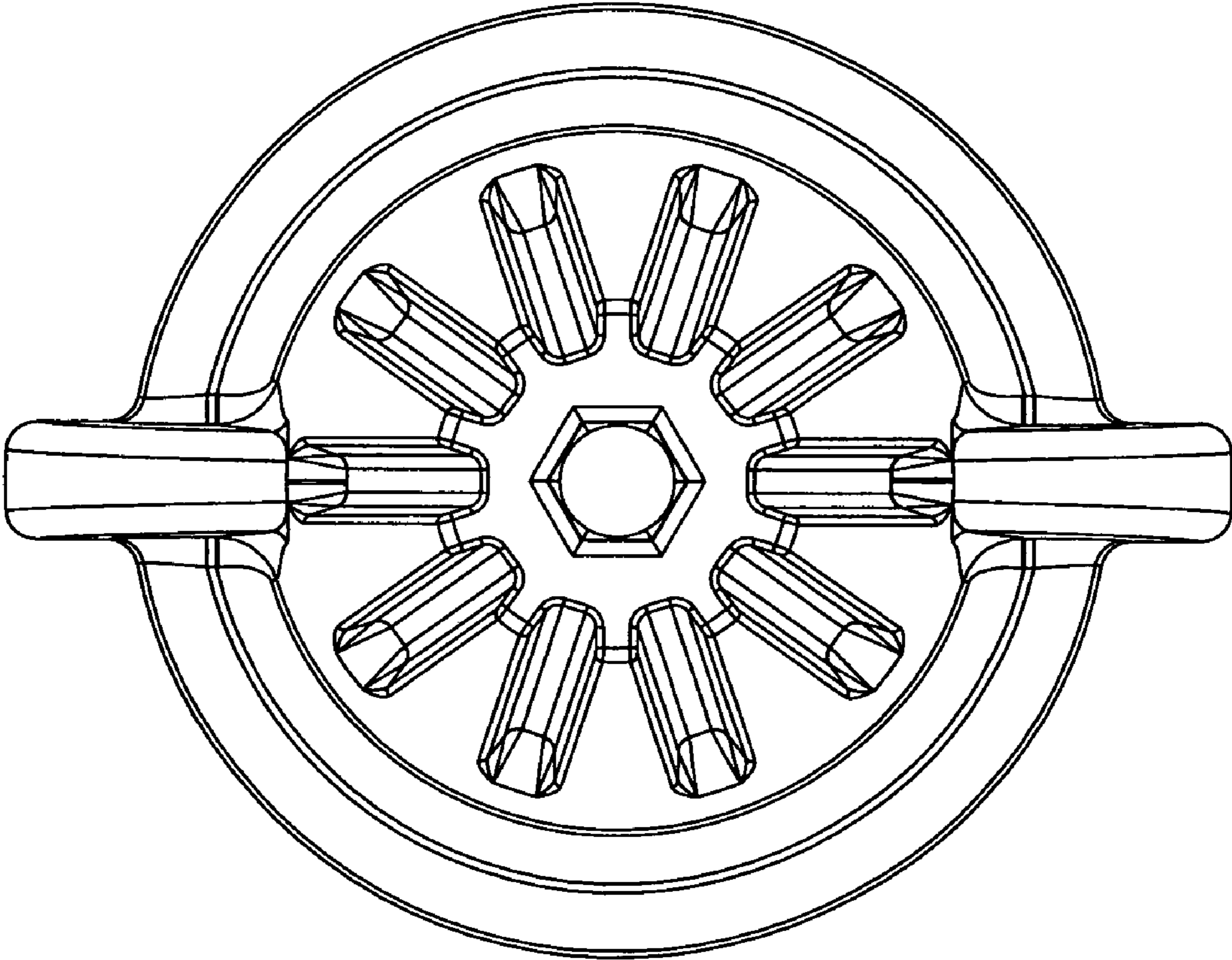


Fig. 3

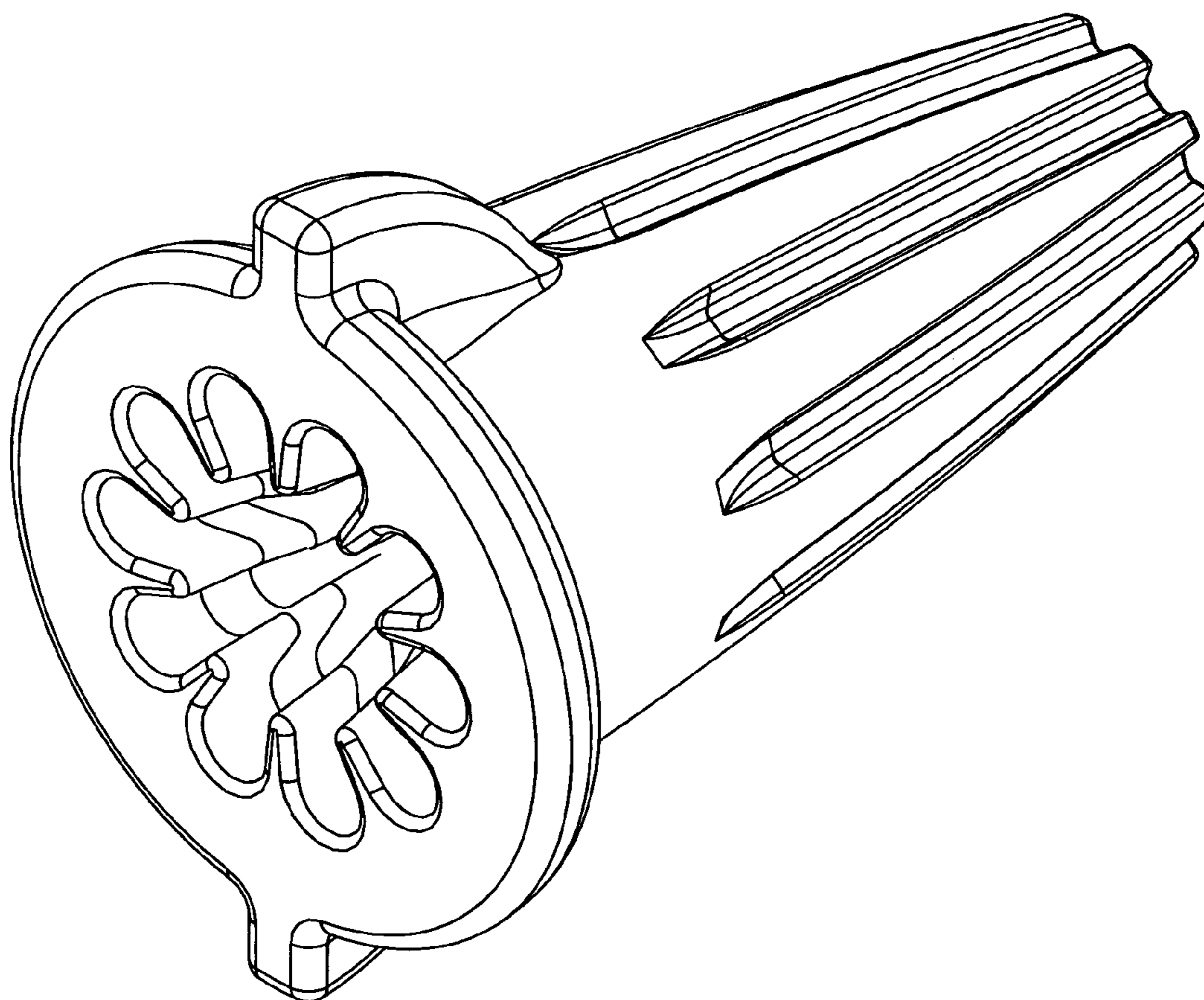


Fig. 4

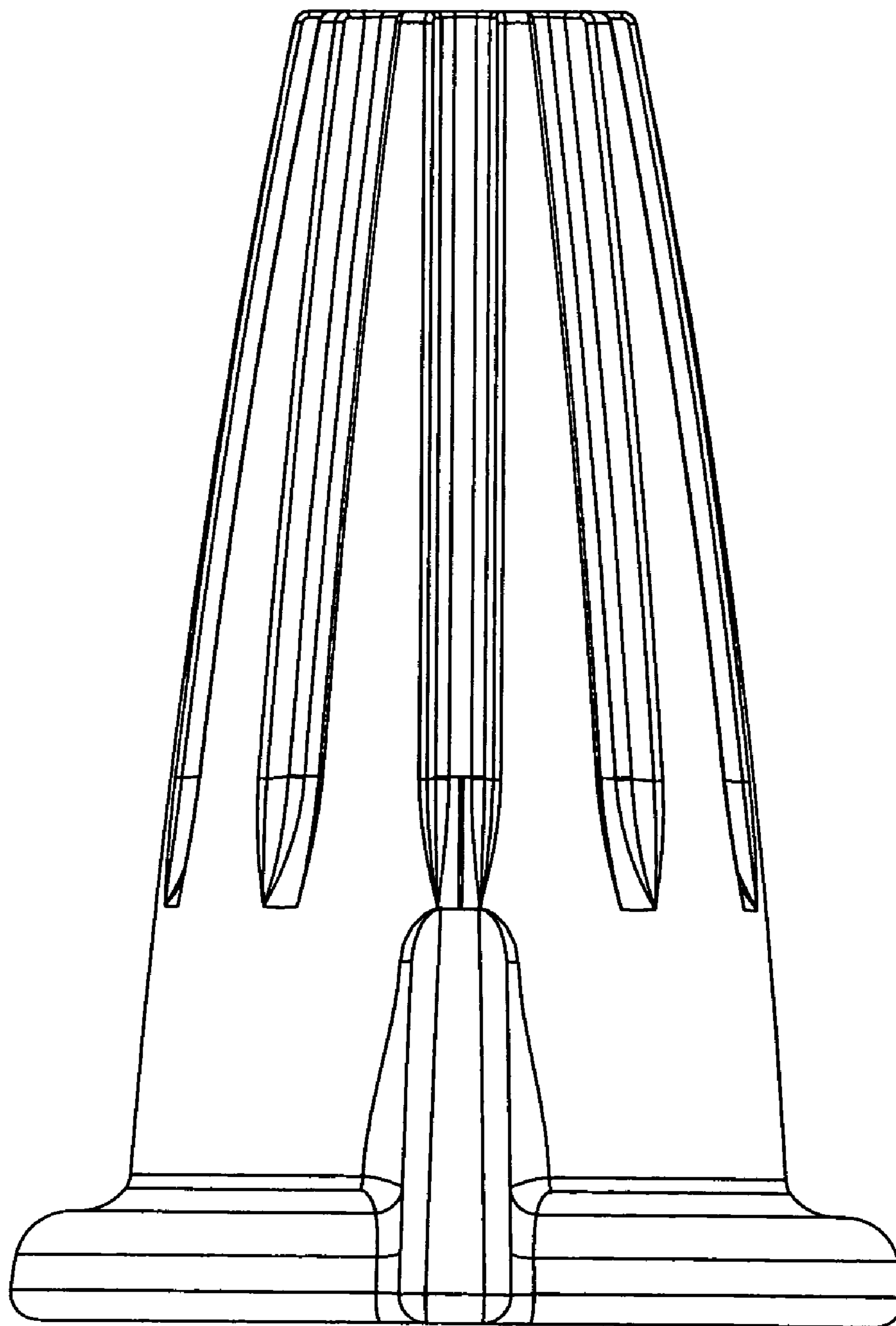


Fig. 5