



US00D573425S

(12) **United States Design Patent**  
**Post et al.**

(10) **Patent No.:** **US D573,425 S**  
(45) **Date of Patent:** **\*\* Jul. 22, 2008**

(54) **BATTERY POWERED CAULKING GUN**

(75) Inventors: **Egon Post**, Greve (DK); **Kristian Hansen**, Greve (DK); **Jorgen Elmelund**, Greve (DK)

(73) Assignee: **Kroger A/S**, Greve (DK)

(\*\*) Term: **14 Years**

(21) Appl. No.: **29/287,007**

(22) Filed: **Jun. 18, 2007**

(30) **Foreign Application Priority Data**

Dec. 18, 2006 (EM) ..... 00638937-0002

(51) **LOC (8) Cl.** ..... **08-05**

(52) **U.S. Cl.** ..... **D8/14.1**

(58) **Field of Classification Search** ..... D8/14.1,  
D8/14, 29.1, 51, 61; 222/333, 325, 326,  
222/327, 330

See application file for complete search history.

(56) **References Cited**

**U.S. PATENT DOCUMENTS**

D545,152 S \* 6/2007 Lopano et al. .... D8/14.1  
D548,551 S \* 8/2007 Lopano et al. .... D8/14.1

\* cited by examiner

*Primary Examiner*—Holly H. Baynham

*Assistant Examiner*—Sheryl Friedman

(74) *Attorney, Agent, or Firm*—Millen, White, Zelano & Branigan, P.C.

(57) **CLAIM**

We claim the ornamental design for a battery powered caulking gun, as shown and described.

**DESCRIPTION**

FIG. 1 is a top perspective view of a first side of the battery powered caulking gun;

FIG. 2 is a bottom perspective view of the first side of the battery powered caulking gun;

FIG. 3 is a top perspective side view taken from the rear of the first side of the battery powered caulking gun;

FIG. 4 is a bottom perspective side view taken from the rear of the first side of the battery powered caulking gun;

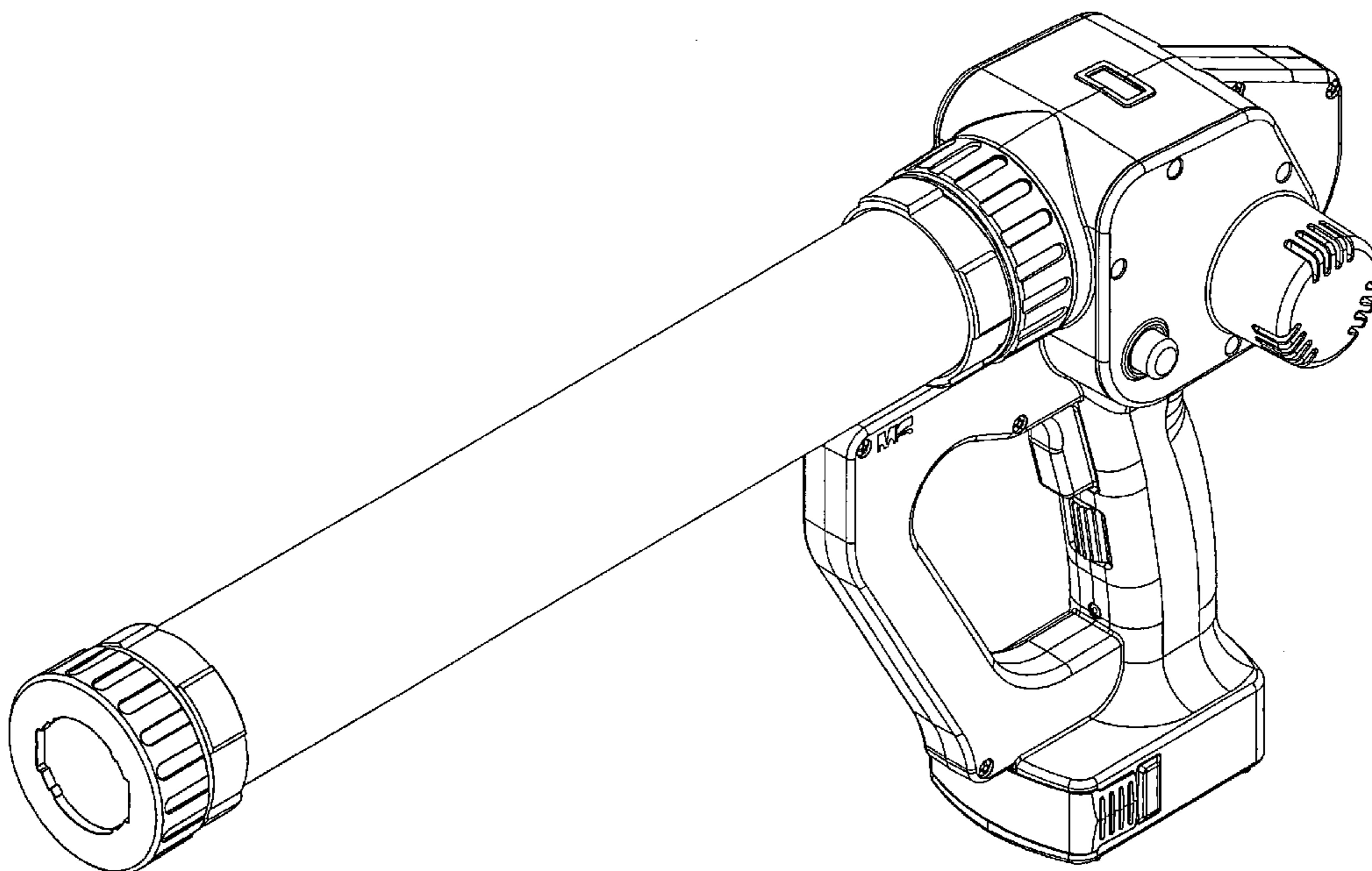
FIG. 5 is a top view of the battery powered caulking gun;

FIG. 6 is a side view of a first side of the battery powered caulking gun;

FIG. 7 is a side view of a second side of the battery powered caulking gun; and,

FIG. 8 is a bottom view of the battery powered caulking gun.

**1 Claim, 8 Drawing Sheets**



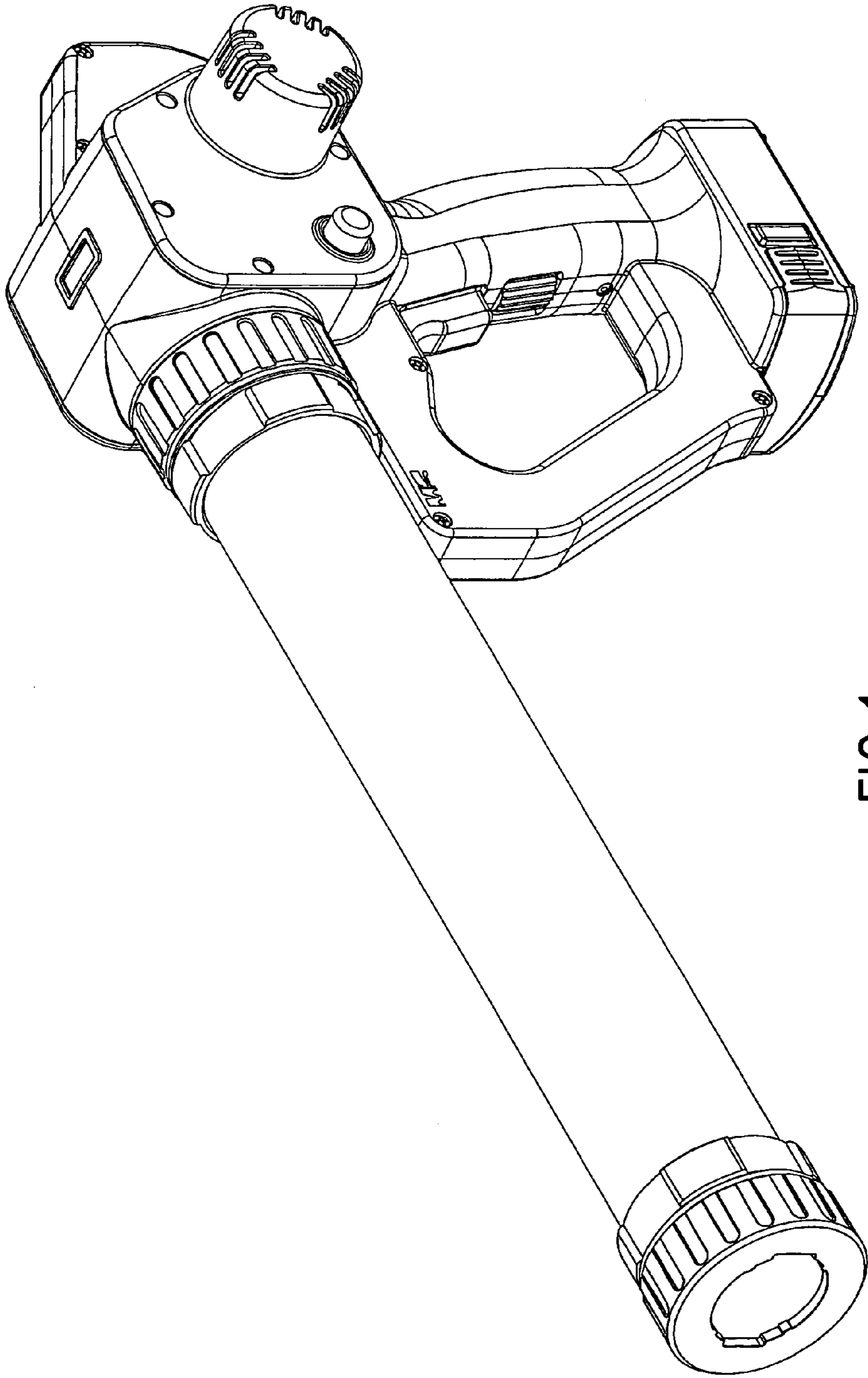


FIG. 1

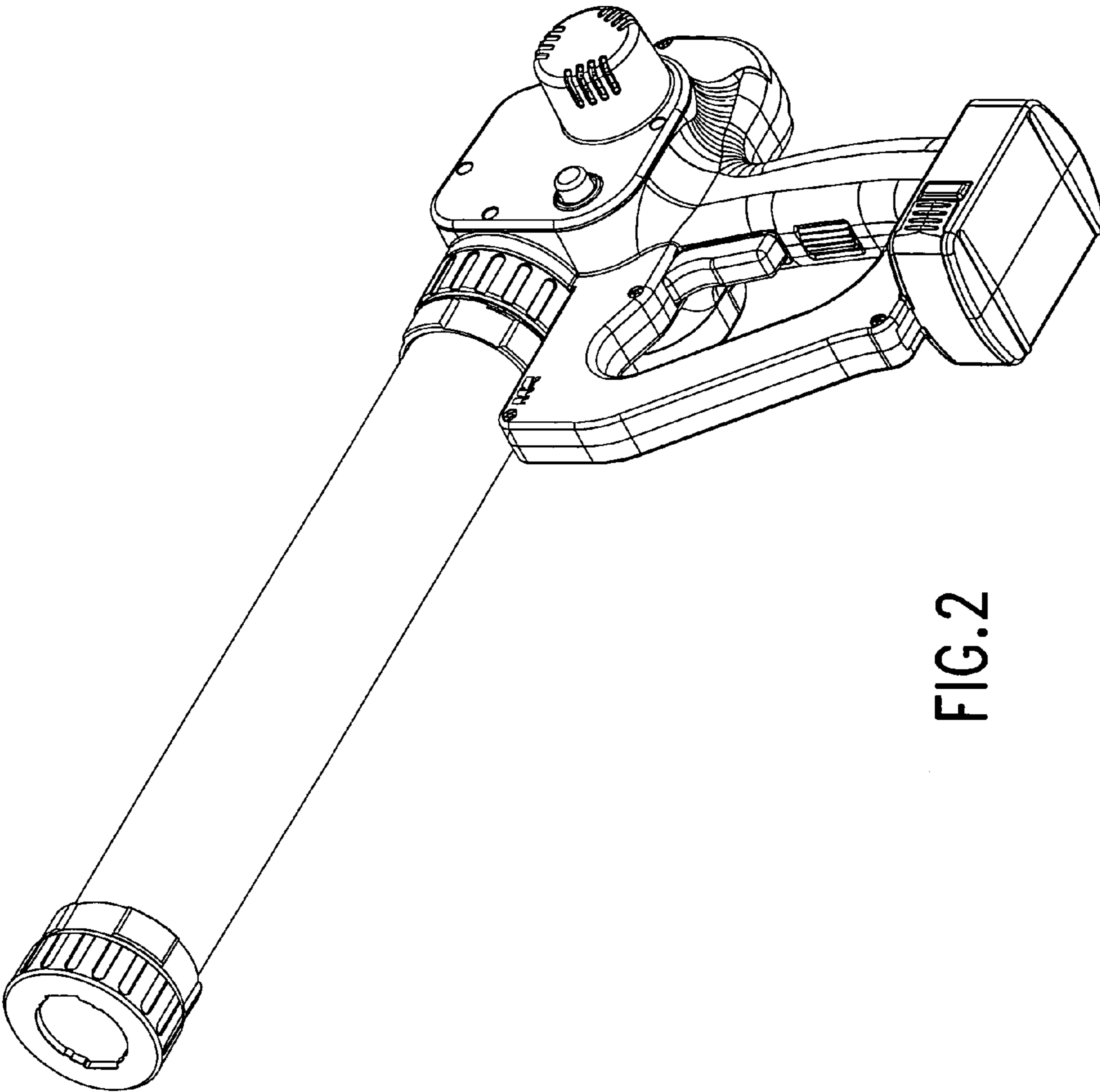


FIG.2

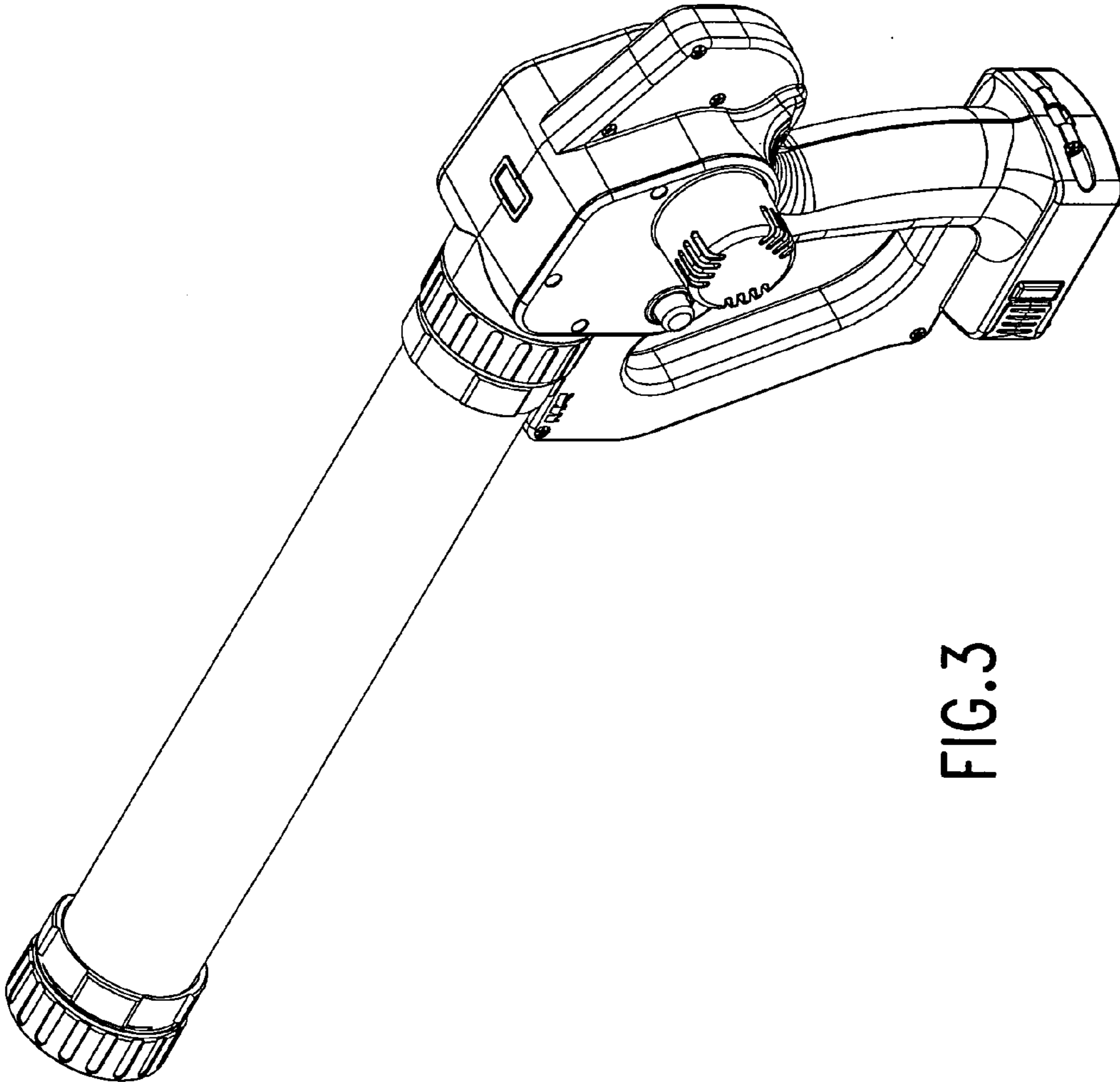


FIG.3



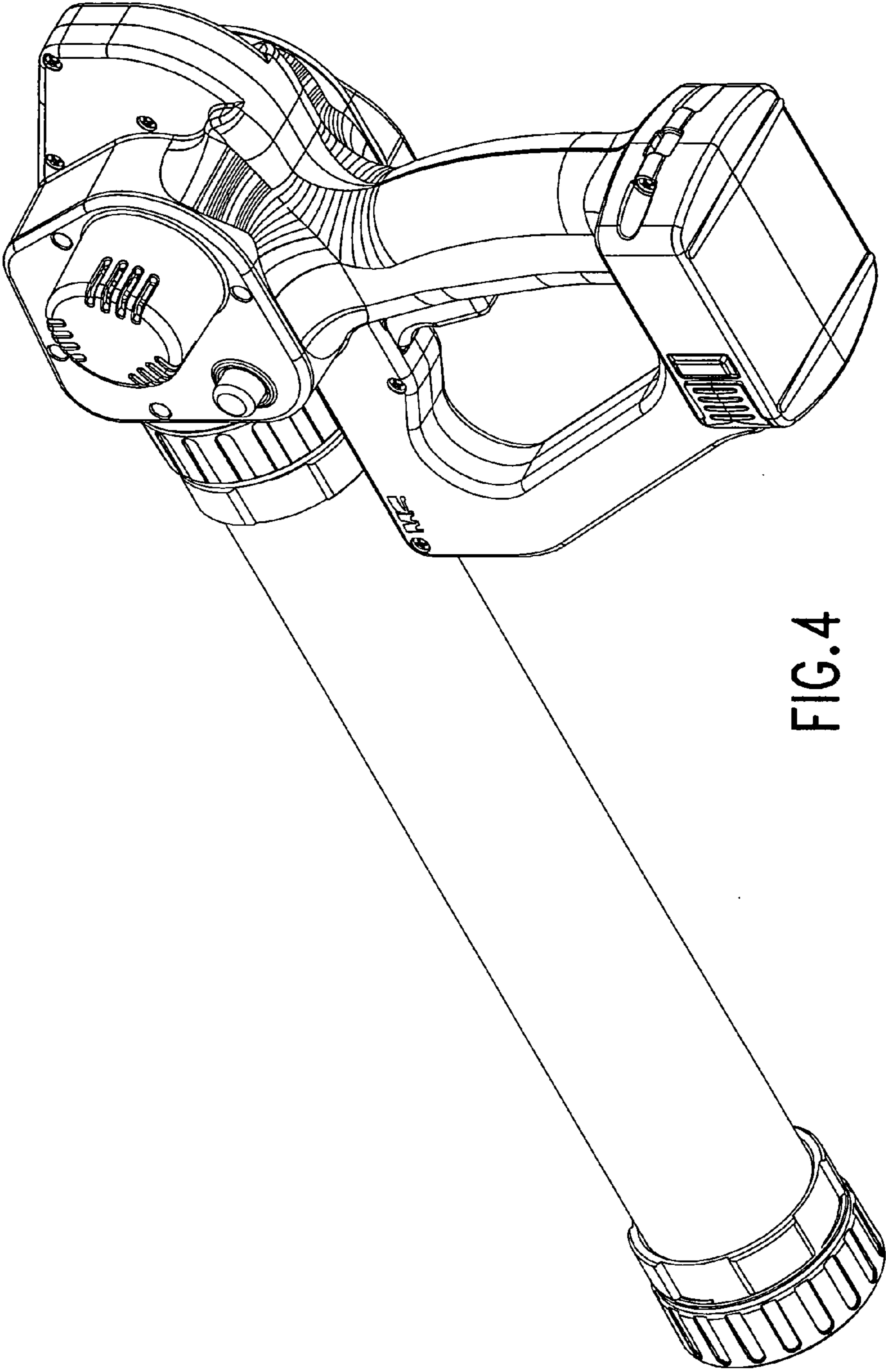


FIG. 4

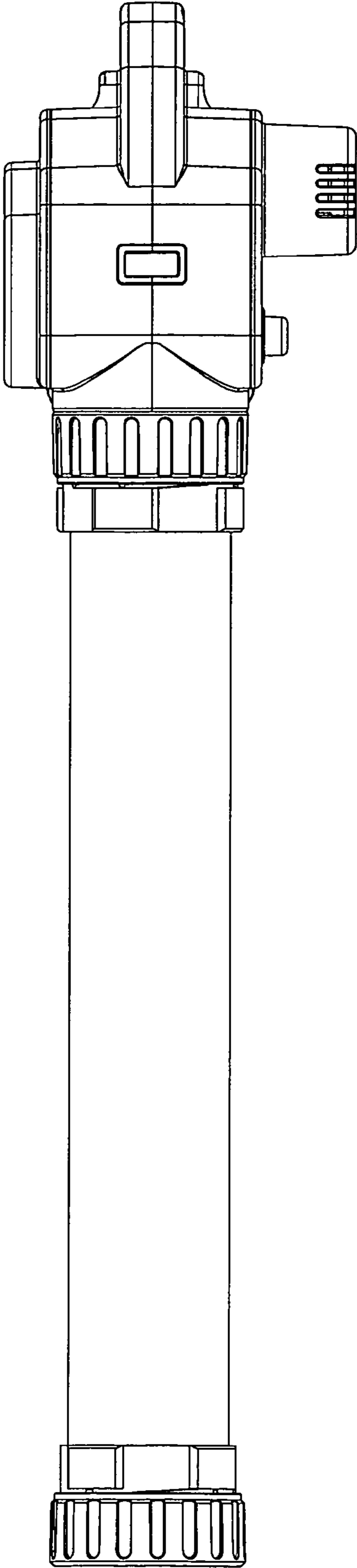


FIG. 5

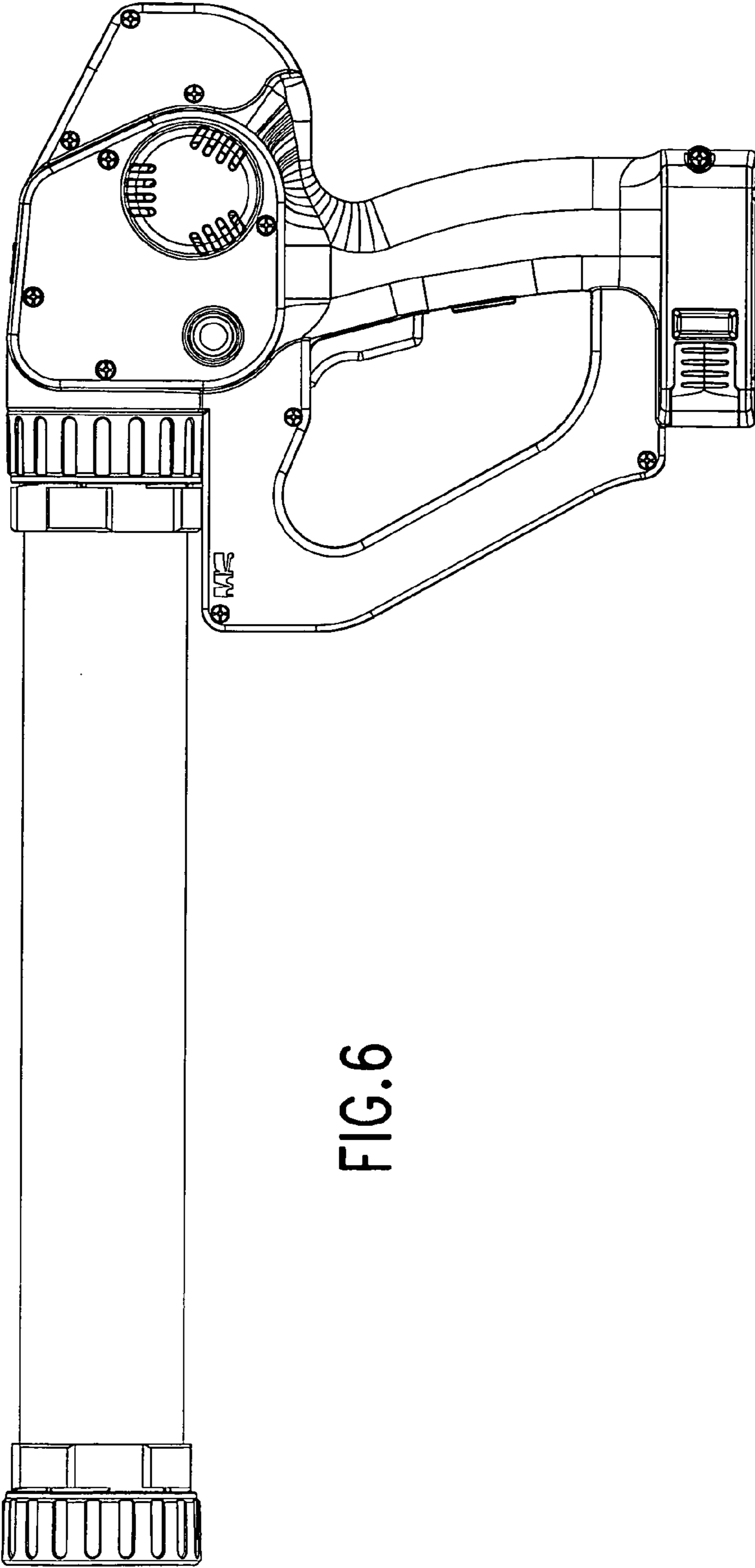


FIG. 6

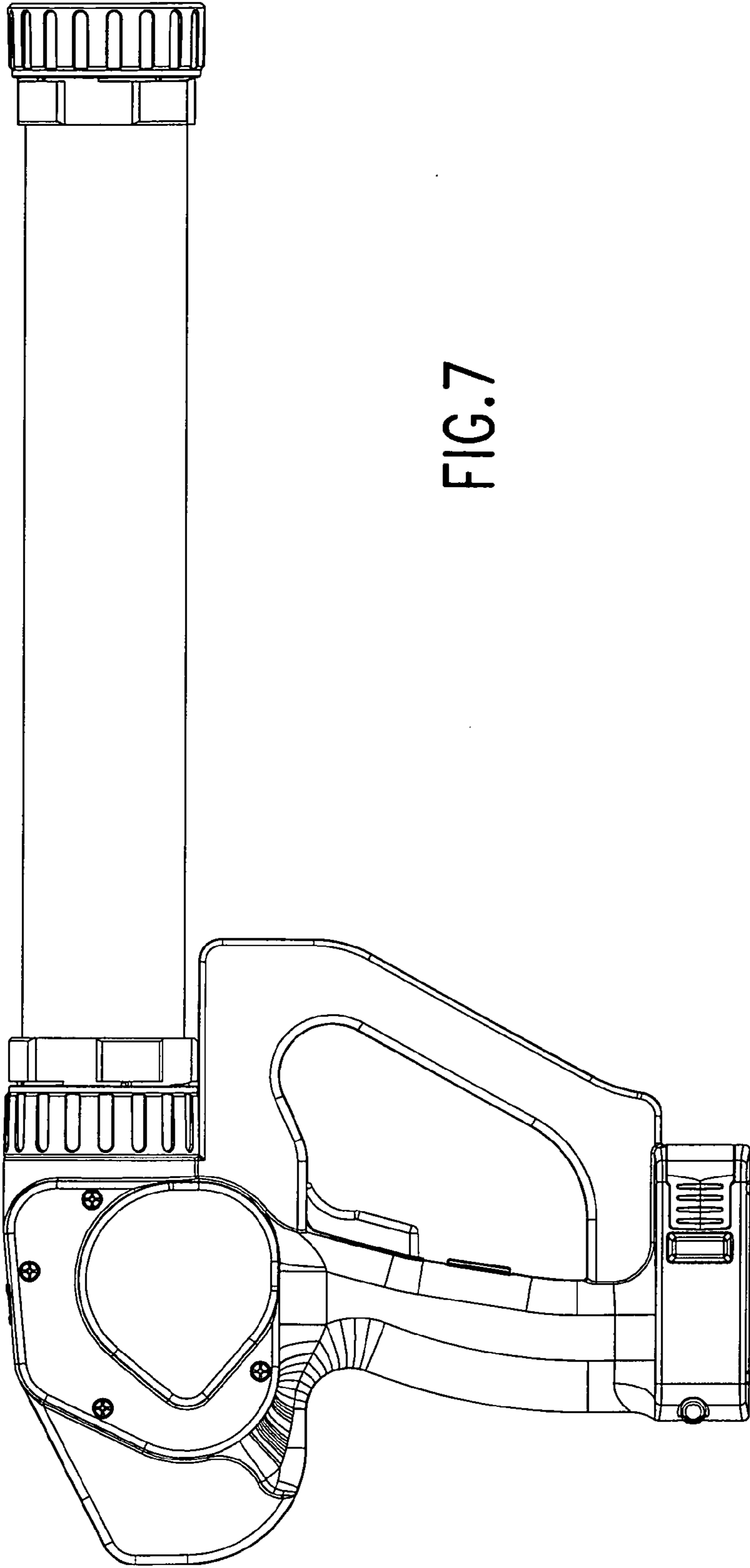


FIG. 7



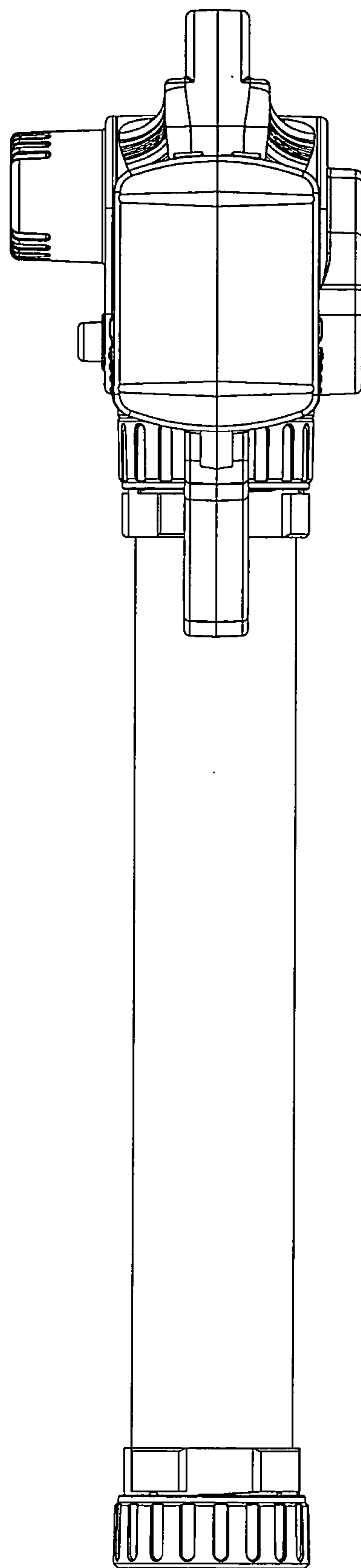


FIG. 8