



US00D573423S

(12) **United States Design Patent**  
**Simons**

(10) **Patent No.:** **US D573,423 S**  
(45) **Date of Patent:** **\*\* Jul. 22, 2008**

(54) **CORK RETRIEVER**

(75) Inventor: **Danny Simons**, Paradise Waters (AU)

(73) Assignee: **Argyle Wine Tools Pty Ltd**, Paradise Waters, Queensland (AU)

(\*\*) Term: **14 Years**

(21) Appl. No.: **29/255,094**

(22) Filed: **Mar. 3, 2006**

(30) **Foreign Application Priority Data**

Sep. 8, 2005 (AU) ..... 13874/05

(51) **LOC (8) Cl.** ..... **08-05**

(52) **U.S. Cl.** ..... **D8/14; D8/42**

(58) **Field of Classification Search** ..... D8/14,  
D8/51, 42; 81/3.07, 3.09, 3.4, 3.41, 3.55  
See application file for complete search history.

(56) **References Cited**

**U.S. PATENT DOCUMENTS**

983,778 A \* 2/1911 Sersen ..... 81/3.07

2,895,357 A \* 7/1959 Perez ..... 81/3.07  
3,967,512 A \* 7/1976 Soldano ..... 81/3.07  
D244,002 S \* 4/1977 Bonin ..... D8/42  
4,679,467 A \* 7/1987 Delnero ..... 81/3.07  
5,134,906 A \* 8/1992 Sit ..... 81/3.09  
5,253,553 A \* 10/1993 Mothershead ..... 81/3.48  
6,240,808 B1 \* 6/2001 Gelbard ..... 81/3.09

\* cited by examiner

*Primary Examiner*—Philip S Hyder

(74) *Attorney, Agent, or Firm*—DLA Piper US LLP

(57) **CLAIM**

The ornamental design for a cork retriever, as shown and described.

**DESCRIPTION**

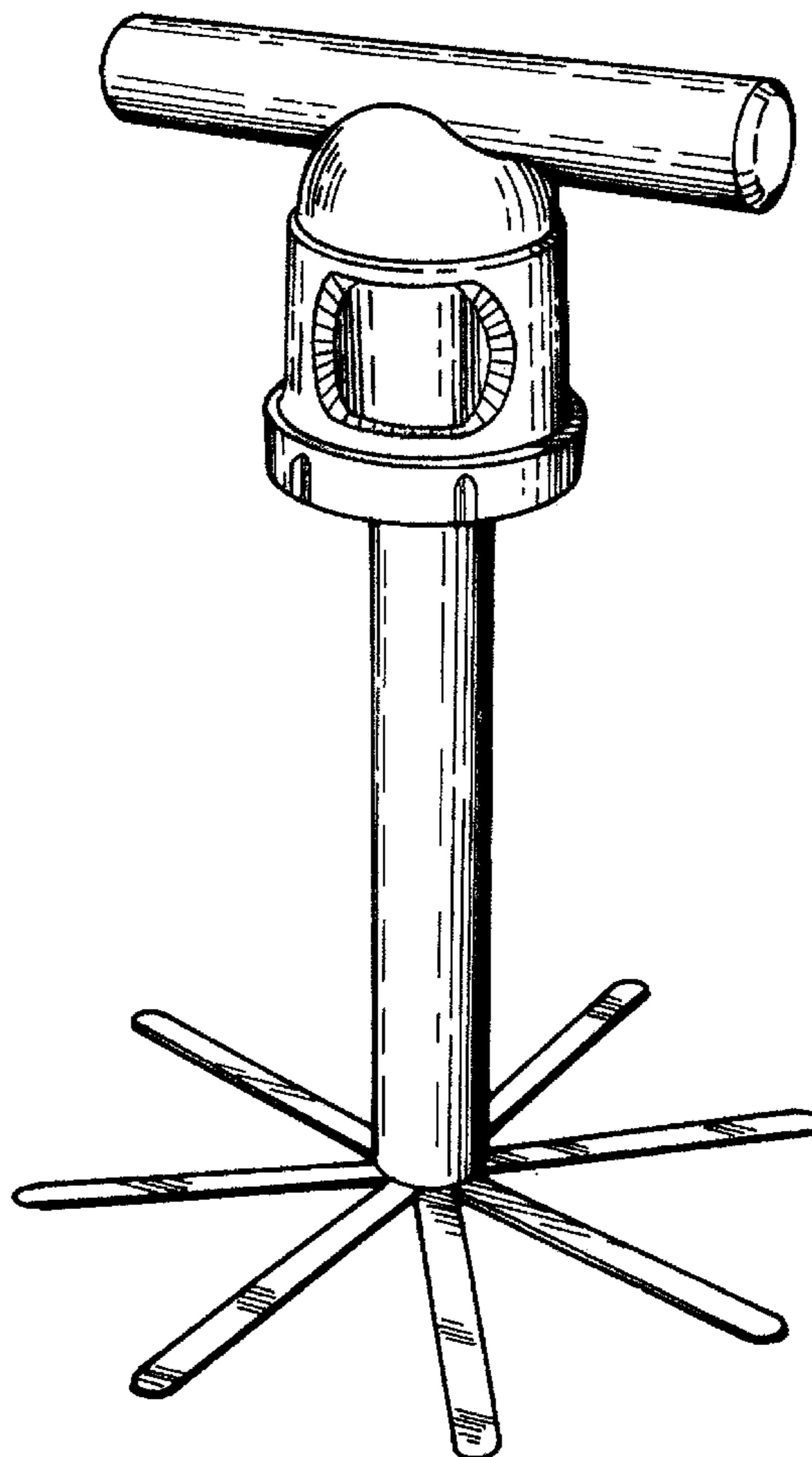
FIG. 1 is a perspective view of a cork retriever showing my new design;

FIG. 2 is a top plan view thereof;

FIG. 3 is a front elevation view thereof; and,

FIG. 4 is a disassembled front elevation view thereof.

**1 Claim, 4 Drawing Sheets**



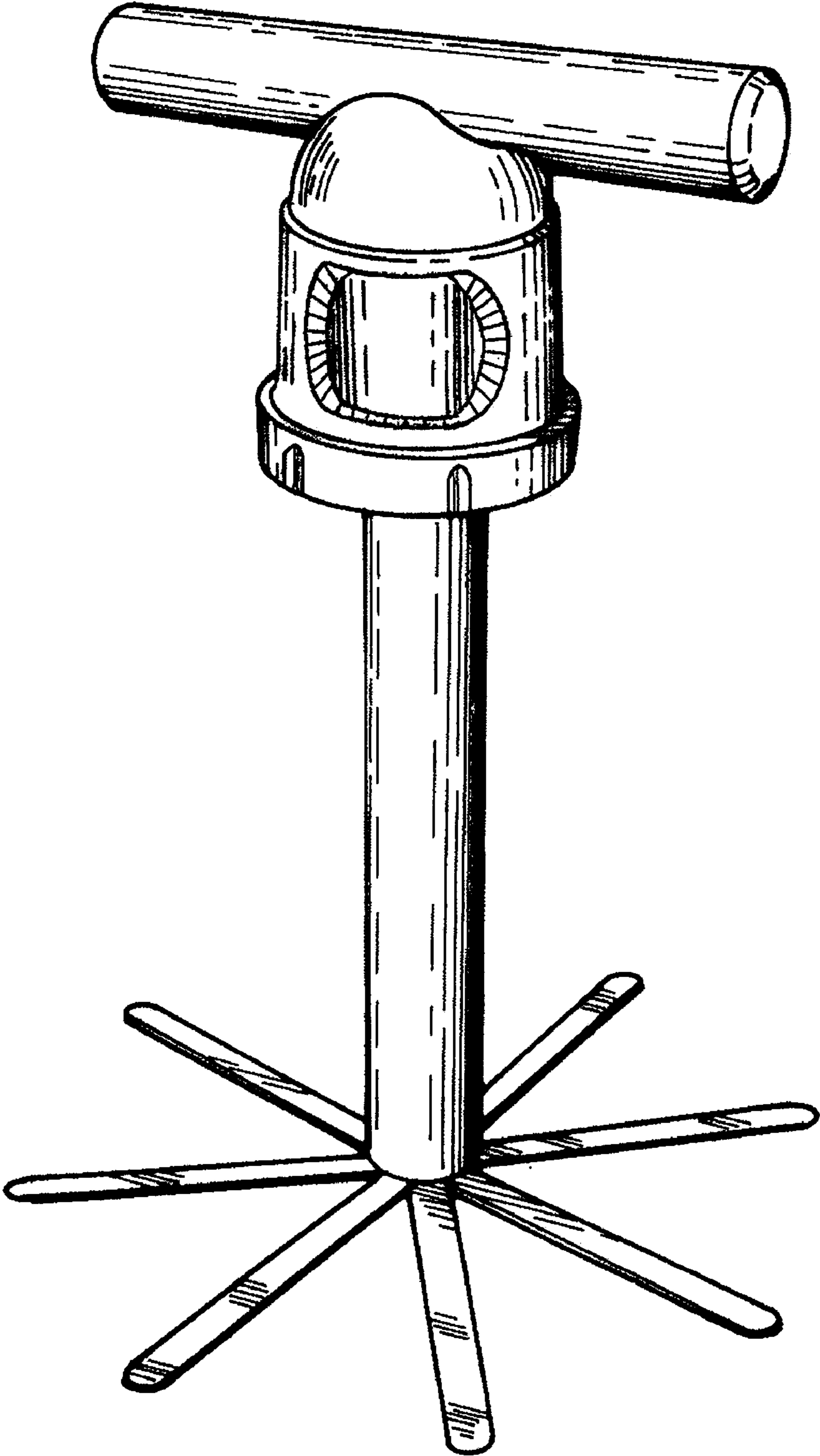


FIG.1.

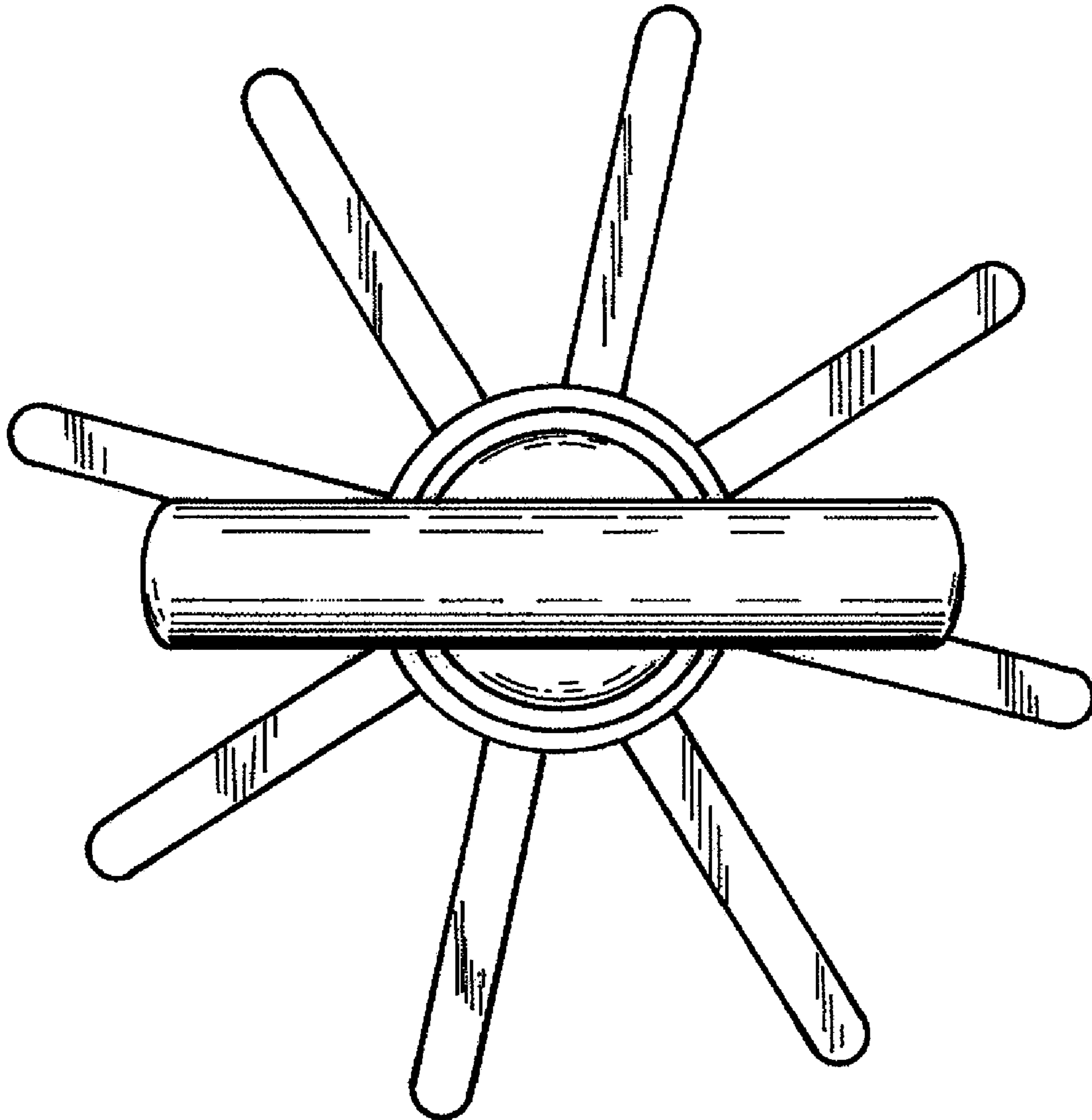


FIG. 2.

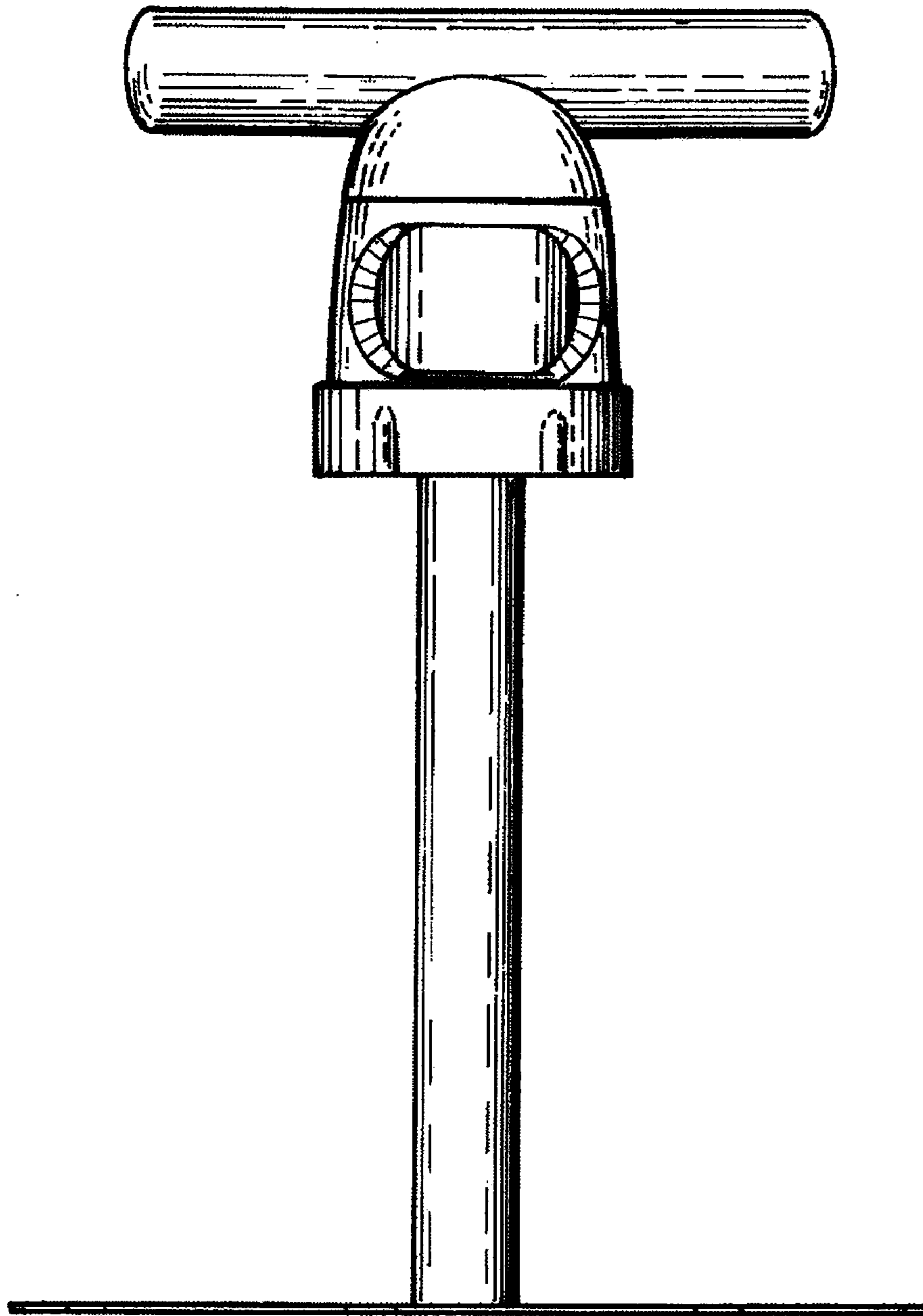


FIG. 3.

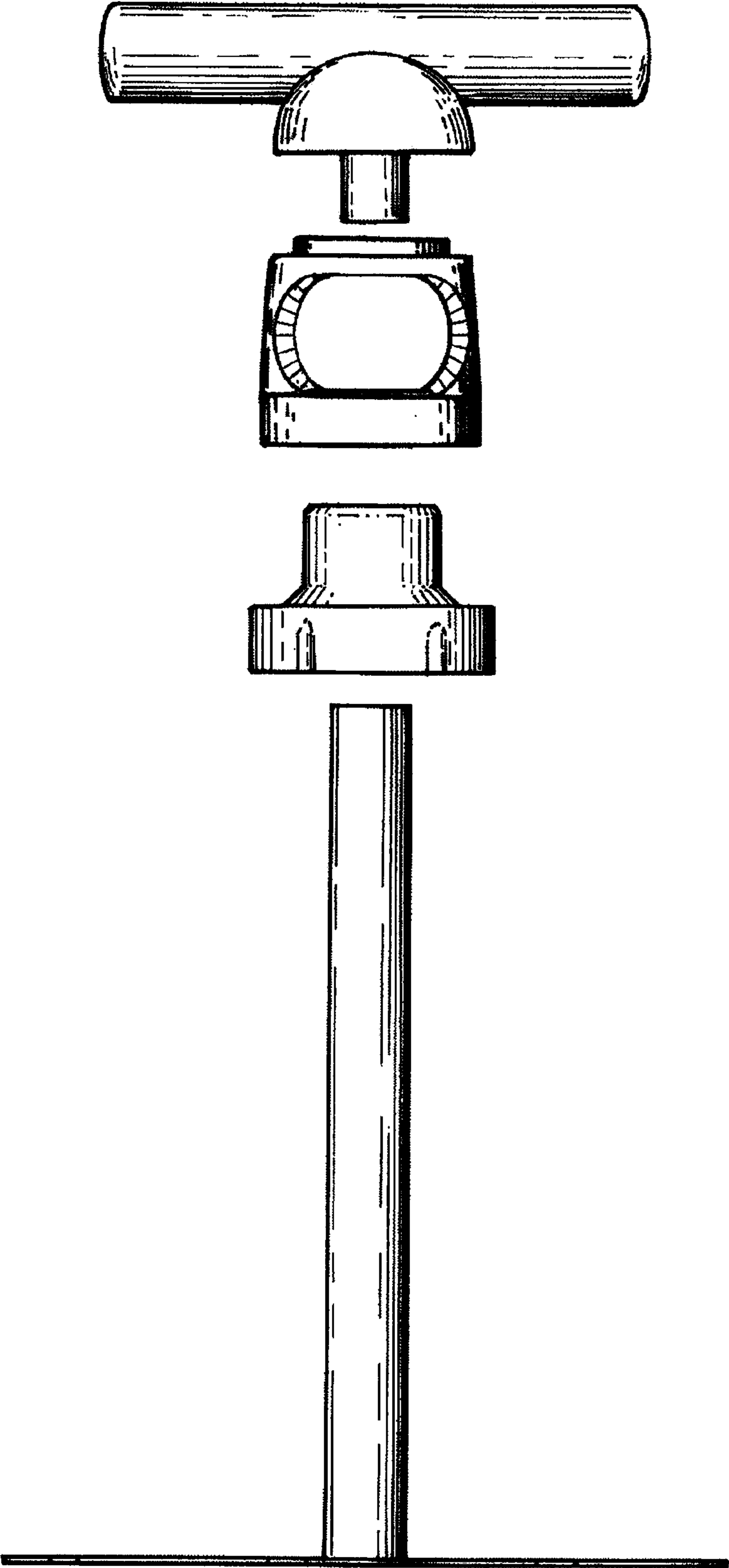


FIG. 4.