



US00D573421S

(12) **United States Design Patent**
Pittsinger

(10) **Patent No.:** **US D573,421 S**
(45) **Date of Patent:** **** Jul. 22, 2008**

(54) **WINE FLIGHT CARRIER**

D489,586 S * 5/2004 Fitzsimmons D7/701
D528,876 S * 9/2006 King D7/701

(75) Inventor: **Bret Pittsinger**, Wenatchee, WA (US)

* cited by examiner

(73) Assignee: **Van Doren Sales, Inc.**, Wenatchee, WA (US)

Primary Examiner—Terry A Wallace

(74) *Attorney, Agent, or Firm*—Seed IP Law Group PLLC

(**) Term: **14 Years**

(57) **CLAIM**

(21) Appl. No.: **29/295,762**

The ornamental design for a wine flight carrier, as shown and described.

(22) Filed: **Oct. 5, 2007**

(51) **LOC (8) Cl.** **07-06**

(52) **U.S. Cl.** **D7/701**

(58) **Field of Classification Search** D7/701–708,
D7/619.1–625, 601; 206/426, 480, 560,
206/565; 220/574, 23.4, 23.86, 23.87, 737
See application file for complete search history.

DESCRIPTION

FIG. 1 is a front, top perspective view of my new design, carrying wine glasses;

FIG. 2 is a front, top perspective view of my new design;

FIG. 3 is a top plan view of the design of FIG. 2;

FIG. 4 is a bottom plan view of the design of FIG. 2;

FIG. 5 is a rear elevation view of the design of FIG. 2;

FIG. 6 is a front elevation view of the design of FIG. 2; and,

FIG. 7 is a side elevation view of the design of FIG. 2. The opposing side elevation is a mirror image thereof.

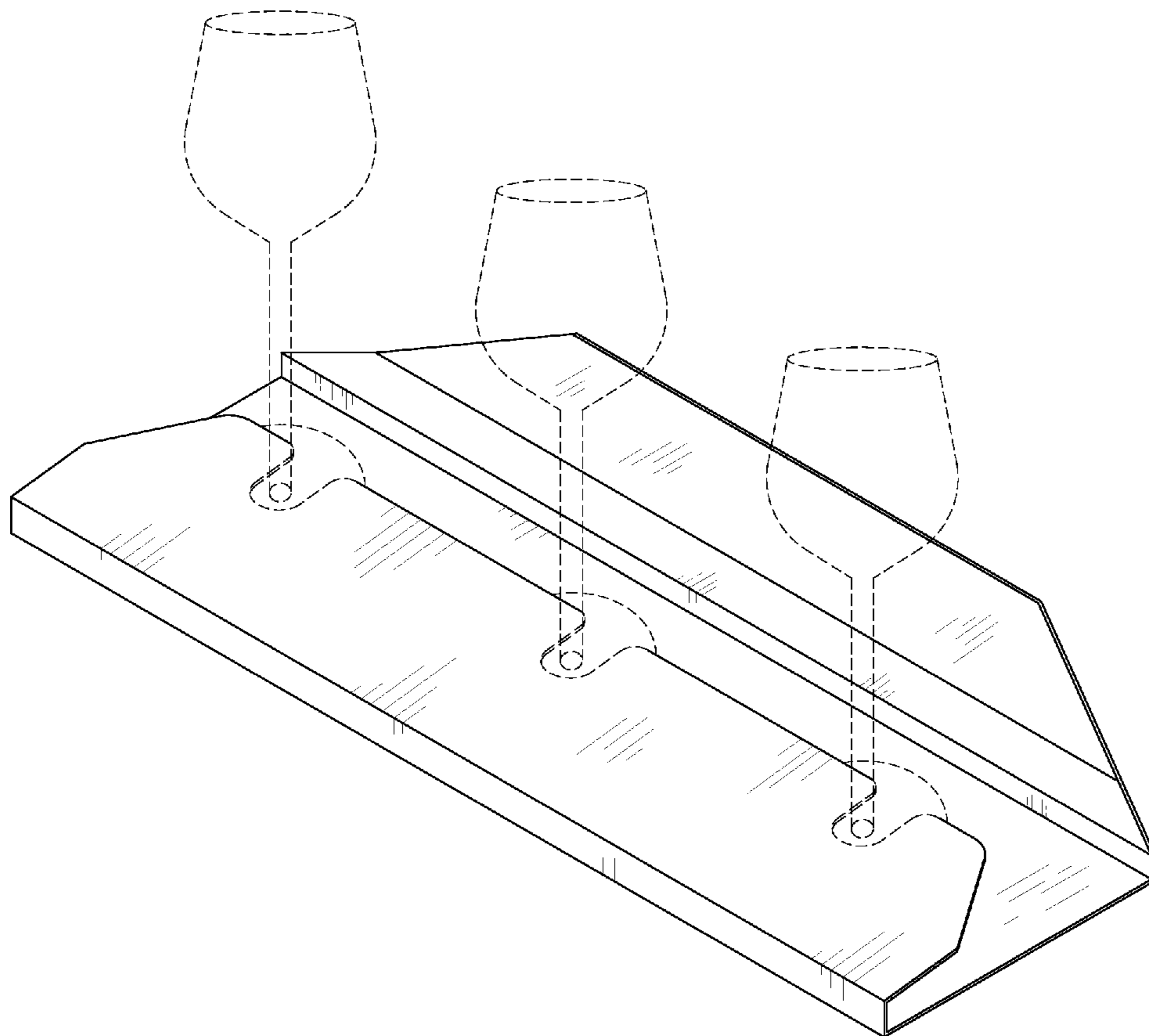
The broken lines in the figures are for illustrative purposes only and form no part of the claimed design.

(56) **References Cited**

U.S. PATENT DOCUMENTS

774,479	A	11/1904	Lange	
D288,483	S *	2/1987	Mora D24/230
D301,575	S *	6/1989	Crawford, Jr. D7/555
4,860,895	A	8/1989	Iaslovits	
5,361,932	A *	11/1994	Friedrich 220/23.86
5,419,455	A *	5/1995	Rousseau 220/23.83
6,059,138	A	5/2000	Labruyere	

1 Claim, 5 Drawing Sheets



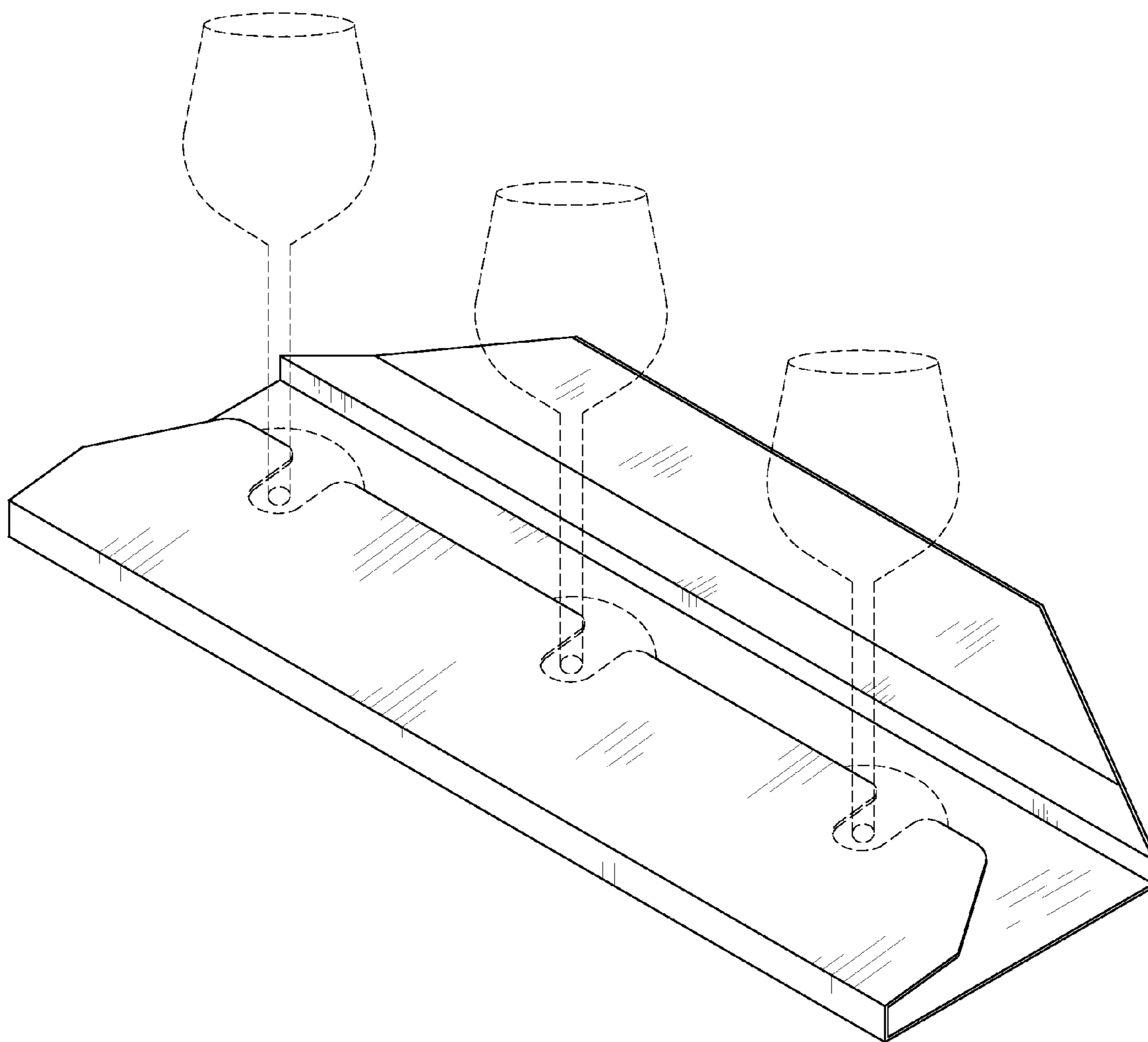


FIG. 1

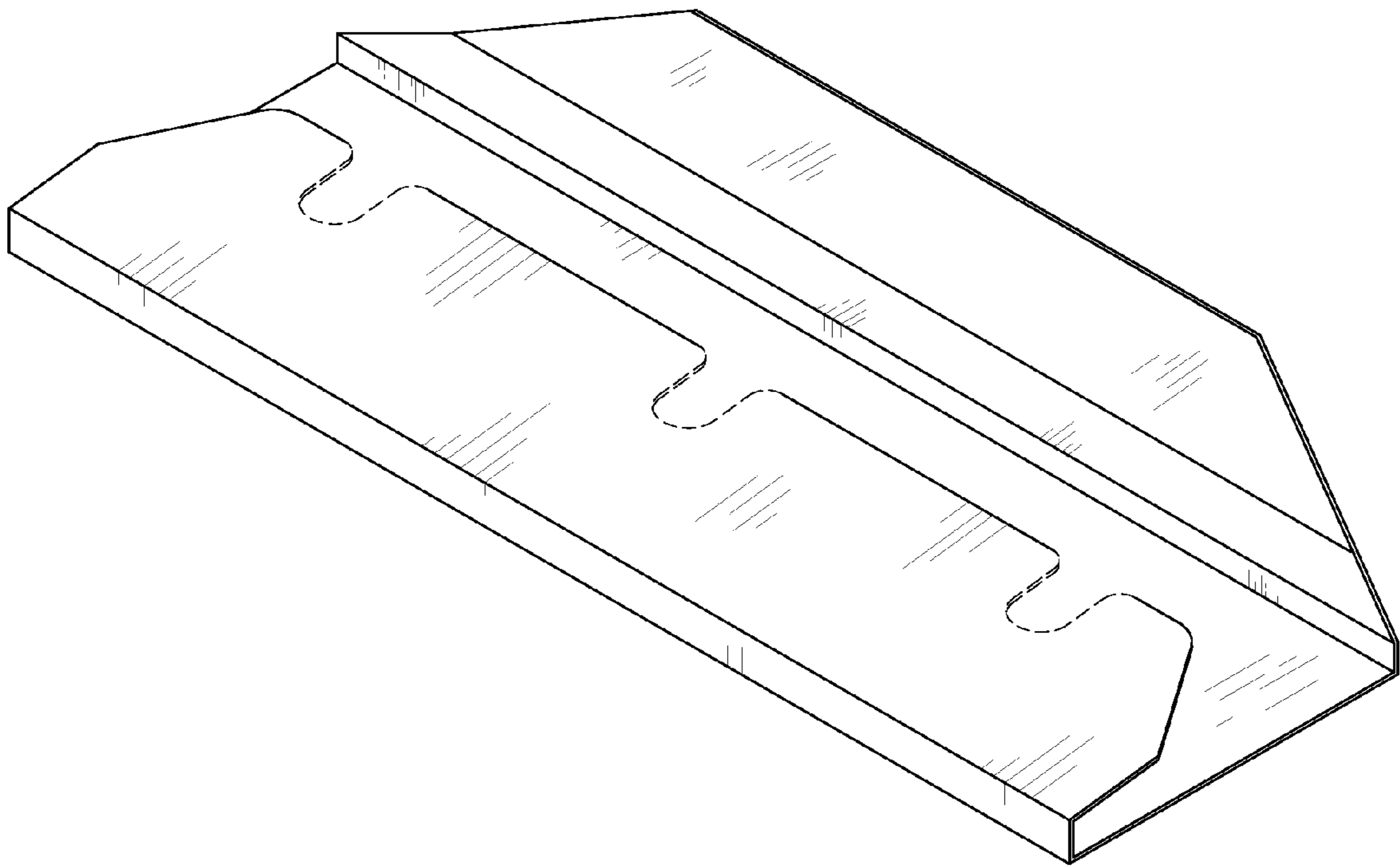


FIG. 2

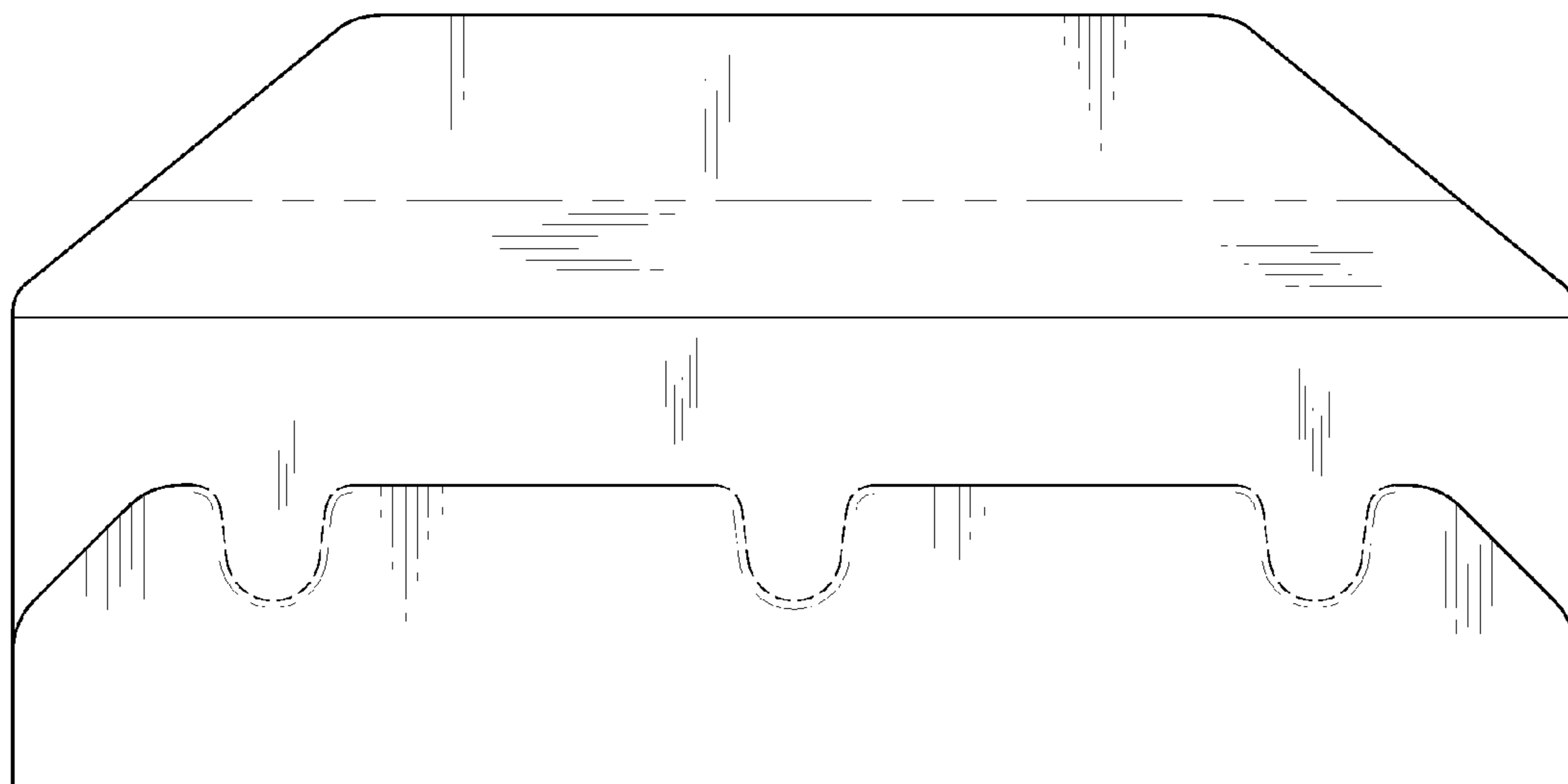


FIG. 3

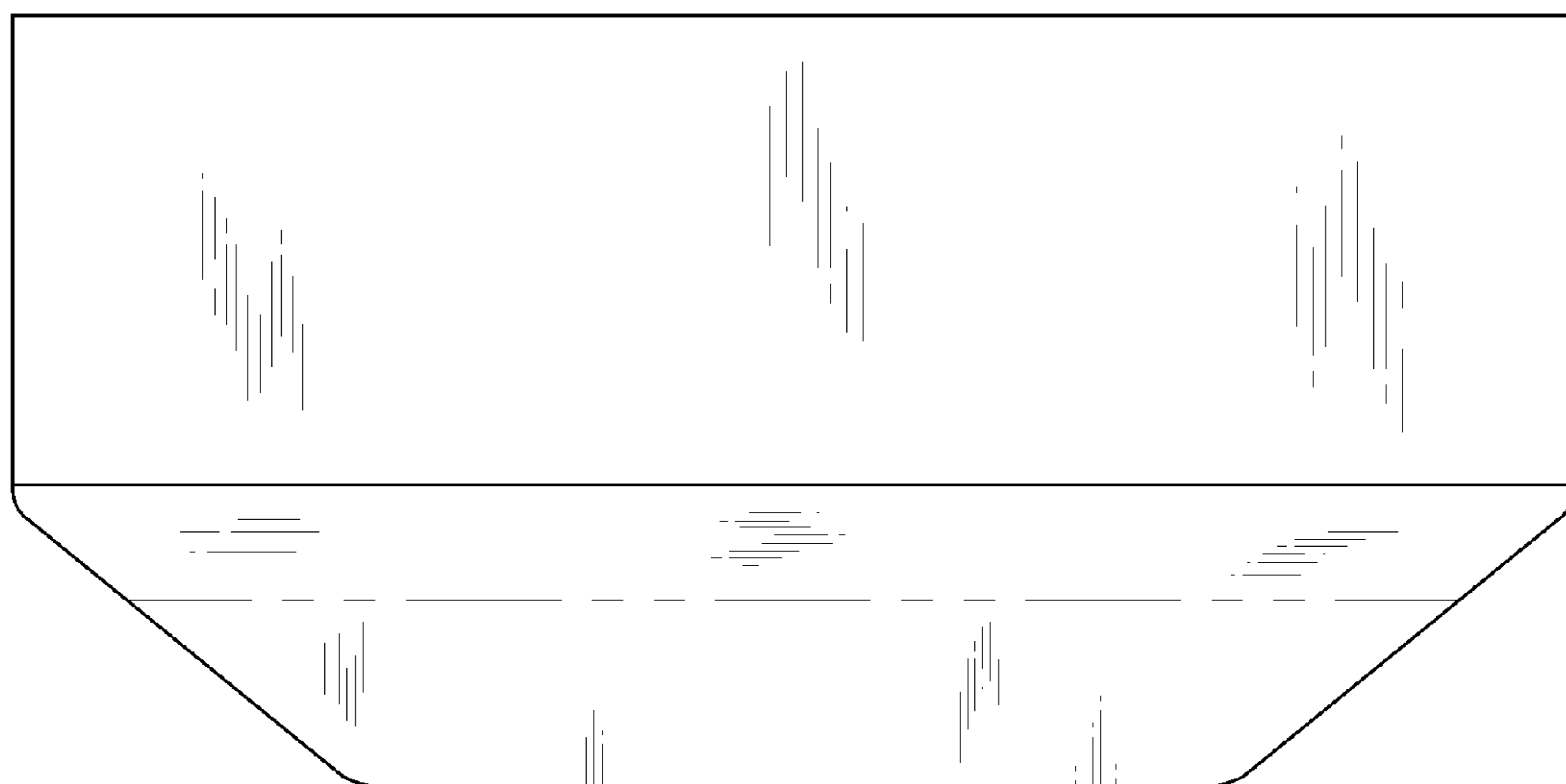


FIG. 4

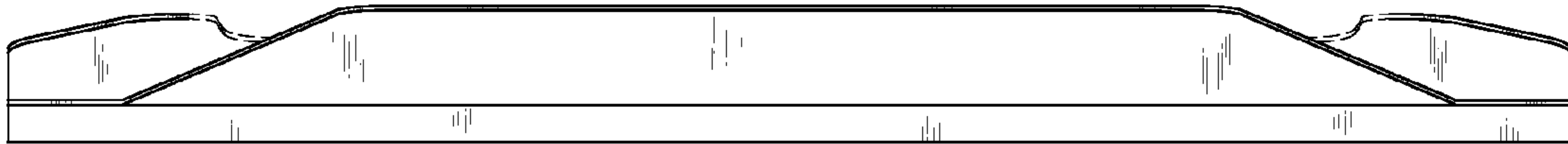


FIG. 5

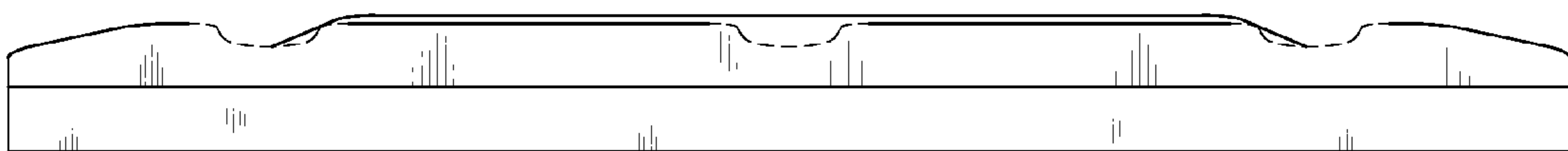


FIG. 6

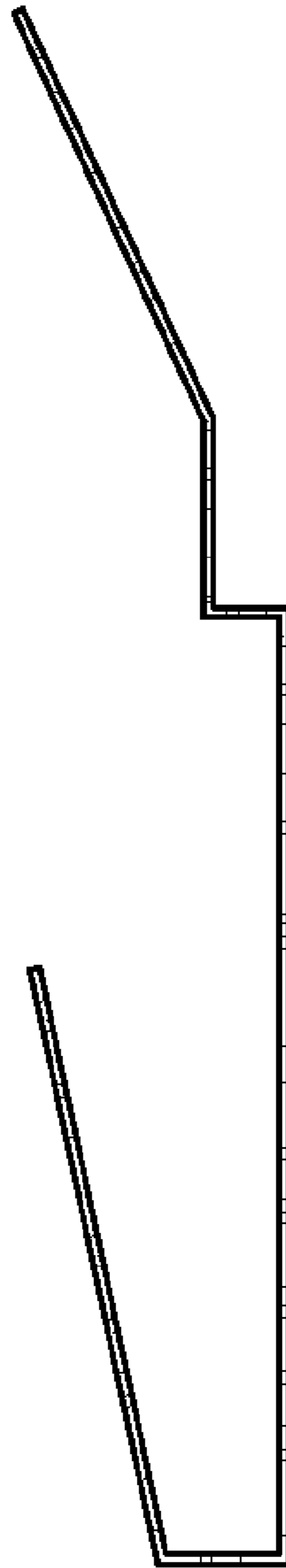


FIG. 7