



US00D573420S

(12) **United States Design Patent**
Pourounidis et al.

(10) **Patent No.:** **US D573,420 S**
(45) **Date of Patent:** **** Jul. 22, 2008**

- (54) **COMBINATION CARVING BOARD AND STAINLESS STEEL DISH**
 - (76) Inventors: **Harry Pourounidis**, C/-BAMBIS, 1-9 Moreland Road East Coburg, Victoria, 3058 (AU); **Curtis Stone**, C/-BAMBIS, 1-9 Moreland Road East Coburg, Victoria, 3058 (AU)
 - (**) Term: **14 Years**
 - (21) Appl. No.: **29/298,266**
 - (22) Filed: **Nov. 30, 2007**
 - (51) **LOC (8) Cl.** **07-04**
 - (52) **U.S. Cl.** **D7/698**
 - (58) **Field of Classification Search** D6/616; D7/388, 586, 637-638, 696, 698-699; D9/737; D32/56-58; 30/151; 99/446, 449; 165/185; 269/13-15, 289 R, 291, 297-298, 289 MR, 269/302.1, 315
- See application file for complete search history.

(56) **References Cited**

U.S. PATENT DOCUMENTS

- D34,669 S * 6/1901 Beaumont D7/698
- 3,385,357 A * 5/1968 Burg 165/185
- 4,372,448 A 2/1983 Drach

- 4,480,343 A 11/1984 Drach
- 4,653,737 A 3/1987 Haskins et al.
- D331,191 S * 11/1992 Ventola et al. D9/737
- D341,298 S * 11/1993 Ancona et al. D7/698
- 5,366,208 A 11/1994 Benjamin
- 5,386,978 A 2/1995 Ladwig
- 5,865,105 A 2/1999 Pepelanov
- D444,356 S * 7/2001 Conaway D7/637
- D500,940 S * 1/2005 Goggin D7/698
- D538,096 S * 3/2007 Bartell et al. D6/616
- 2006/0085989 A1 * 4/2006 Kuan Huo 30/151

* cited by examiner

Primary Examiner—Caron D. Veynar

Assistant Examiner—Ricky Pham

(74) *Attorney, Agent, or Firm*—Fulwider Patton LLP

(57) **CLAIM**

The ornamental design for a combination carving board and stainless steel dish, as shown and described.

DESCRIPTION

FIG. 1 is a top view of the combination carving board and stainless steel disk showing our new design.

FIG. 2 is a top perspective view thereof; and,

FIG. 3 is a side view thereof.

The bottom and rear views form no part of the claimed design.

1 Claim, 1 Drawing Sheet

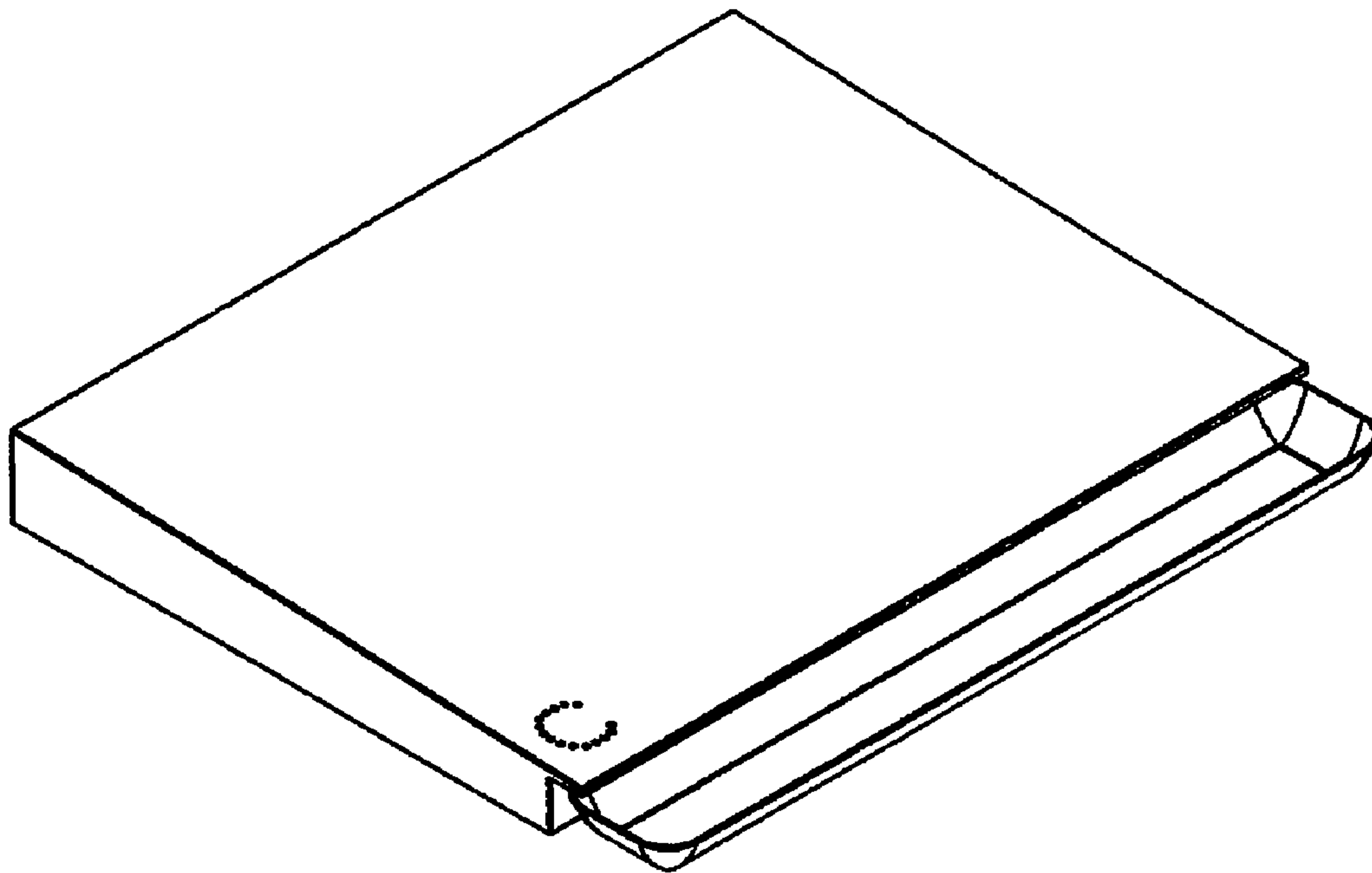


FIG. 1

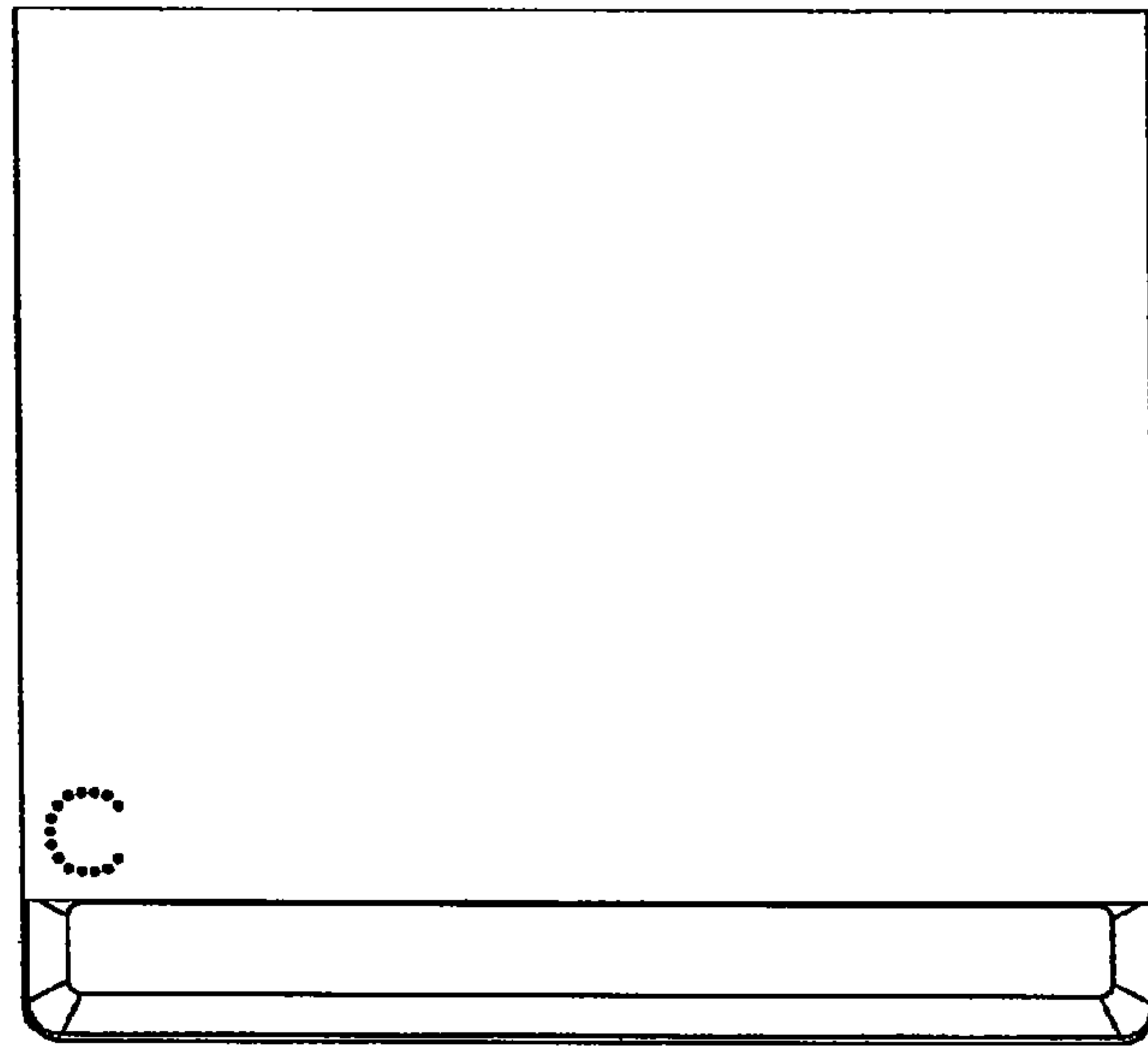
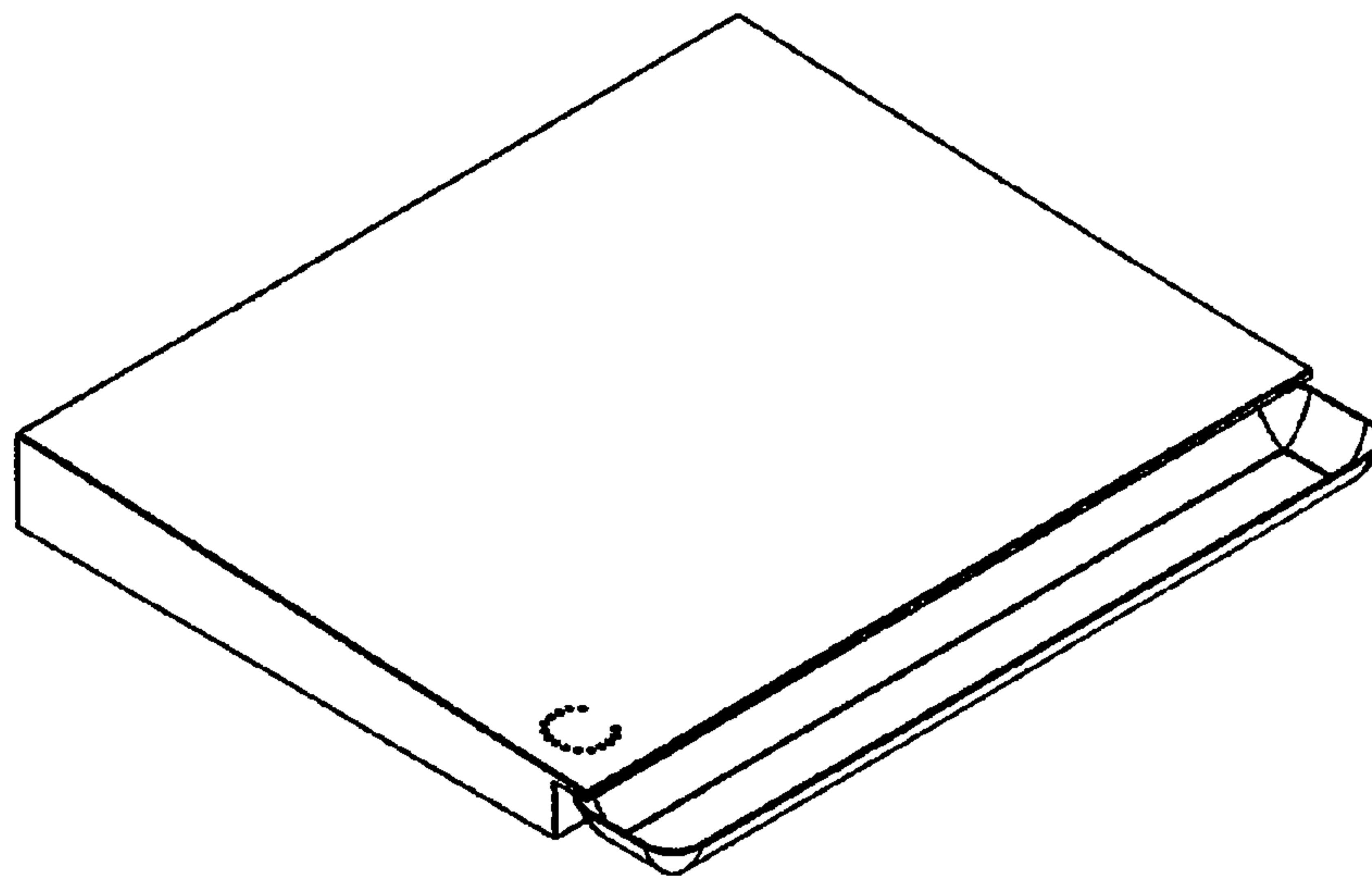


FIG. 3



FIG. 2



UNITED STATES PATENT AND TRADEMARK OFFICE
CERTIFICATE OF CORRECTION

PATENT NO. : Des. 573,420 S
APPLICATION NO. : 29/298266
DATED : July 22, 2008
INVENTOR(S) : Harry Pourounidis

Page 1 of 1

It is certified that error appears in the above-identified patent and that said Letters Patent is hereby corrected as shown below:

On Title Page, DESCRIPTION, line 2, delete "disk" and insert --dish--.

Signed and Sealed this

Seventh Day of October, 2008

A handwritten signature in black ink that reads "Jon W. Dudas". The signature is written in a cursive style with a large initial "J" and "D".

JON W. DUDAS

Director of the United States Patent and Trademark Office