



US00D573413S

(12) **United States Design Patent**
Deeds et al.

(10) **Patent No.:** **US D573,413 S**
(45) **Date of Patent:** **** Jul. 22, 2008**

(54) **DISPENSER**

(75) Inventors: **M. Rinley Deeds**, Felton, CA (US);
Tyson L. Webster, Soquel, CA (US);
Loren D. Stirling, Aptos, CA (US)

(73) Assignee: **JohnsonDiversey, Inc.**, Sturtevant, WI (US)

(**) Term: **14 Years**

(21) Appl. No.: **29/296,589**

(22) Filed: **Oct. 24, 2007**

Related U.S. Application Data

(63) Continuation of application No. 29/258,033, filed on Apr. 14, 2006, now Pat. No. Des. 558,527.

(51) **LOC (8) Cl.** **07-06**

(52) **U.S. Cl.** **D7/589**

(58) **Field of Classification Search** D7/589;
D6/542-545; 141/346; 222/1, 189.03, 325,
222/545, 181.2, 339, 363, 158, 181.3, 548,
222/461, 173, 180, 181.1, 568

See application file for complete search history.

(56) **References Cited**

U.S. PATENT DOCUMENTS

2,865,537 A * 12/1958 Jackson 222/214
3,840,154 A * 10/1974 Speak 222/181.2
4,161,265 A * 7/1979 Hauser et al. 222/181.2
4,214,678 A * 7/1980 Patrinos 222/149
4,243,158 A * 1/1981 Negosta 222/184
5,007,559 A * 4/1991 Young 222/1
5,106,239 A * 4/1992 Krebsbach 406/63

5,469,992 A * 11/1995 Jenkins 222/362
5,495,962 A * 3/1996 Nomura 222/80
5,566,842 A * 10/1996 Dennis 211/87.01
5,758,803 A * 6/1998 Liao et al. 222/440
5,829,085 A * 11/1998 Jerg et al. 8/158
5,997,220 A * 12/1999 Wormser 406/66
6,158,486 A * 12/2000 Olson et al. 141/351
6,484,905 B1 * 11/2002 Swackhamer et al. 222/158
6,820,772 B1 * 11/2004 Bennett, Jr. 222/185.1
7,090,098 B2 * 8/2006 Livingston et al. 222/651
2003/0071061 A1 * 4/2003 Lassota 222/129.3
2005/0139622 A1 * 6/2005 Saulle 222/541.1

* cited by examiner

Primary Examiner—Terry A Wallace

(74) *Attorney, Agent, or Firm*—Gregory S. Bollis

(57) **CLAIM**

We claim the ornamental design for a dispenser, as shown and described.

DESCRIPTION

FIG. 1 is a front, left side perspective view of a dispenser embodying aspects of the invention.

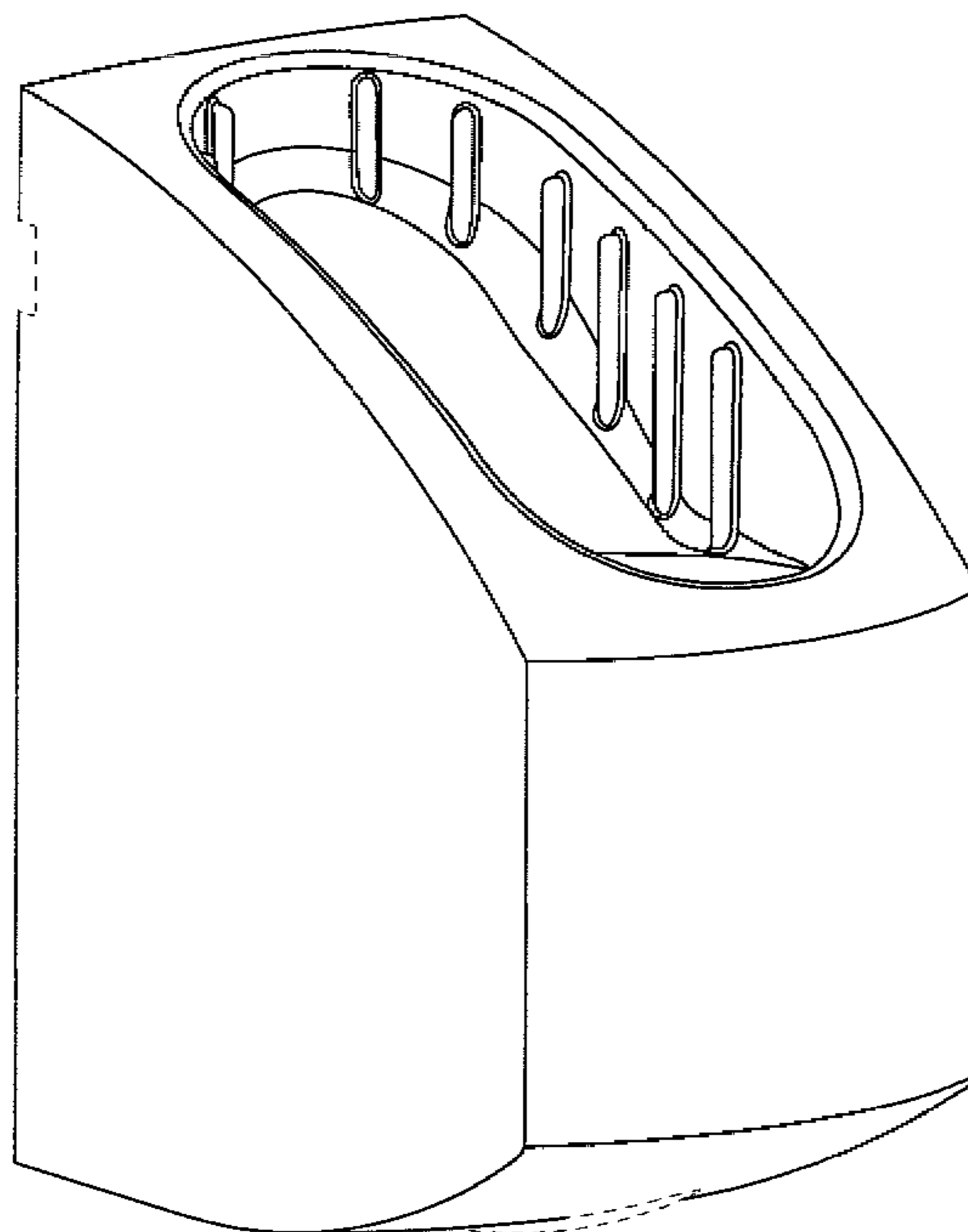
FIG. 2 is a front, right side perspective view of the dispenser shown in FIG. 1.

FIG. 3 is a front view of the dispenser shown in FIG. 1; and,

FIG. 4 is a top view of the dispenser shown in FIG. 1.

The present application is directed to the shape and contour of a dispenser. Features of the drawings shown in broken lines are not considered part of the design currently sought to be patented.

1 Claim, 3 Drawing Sheets



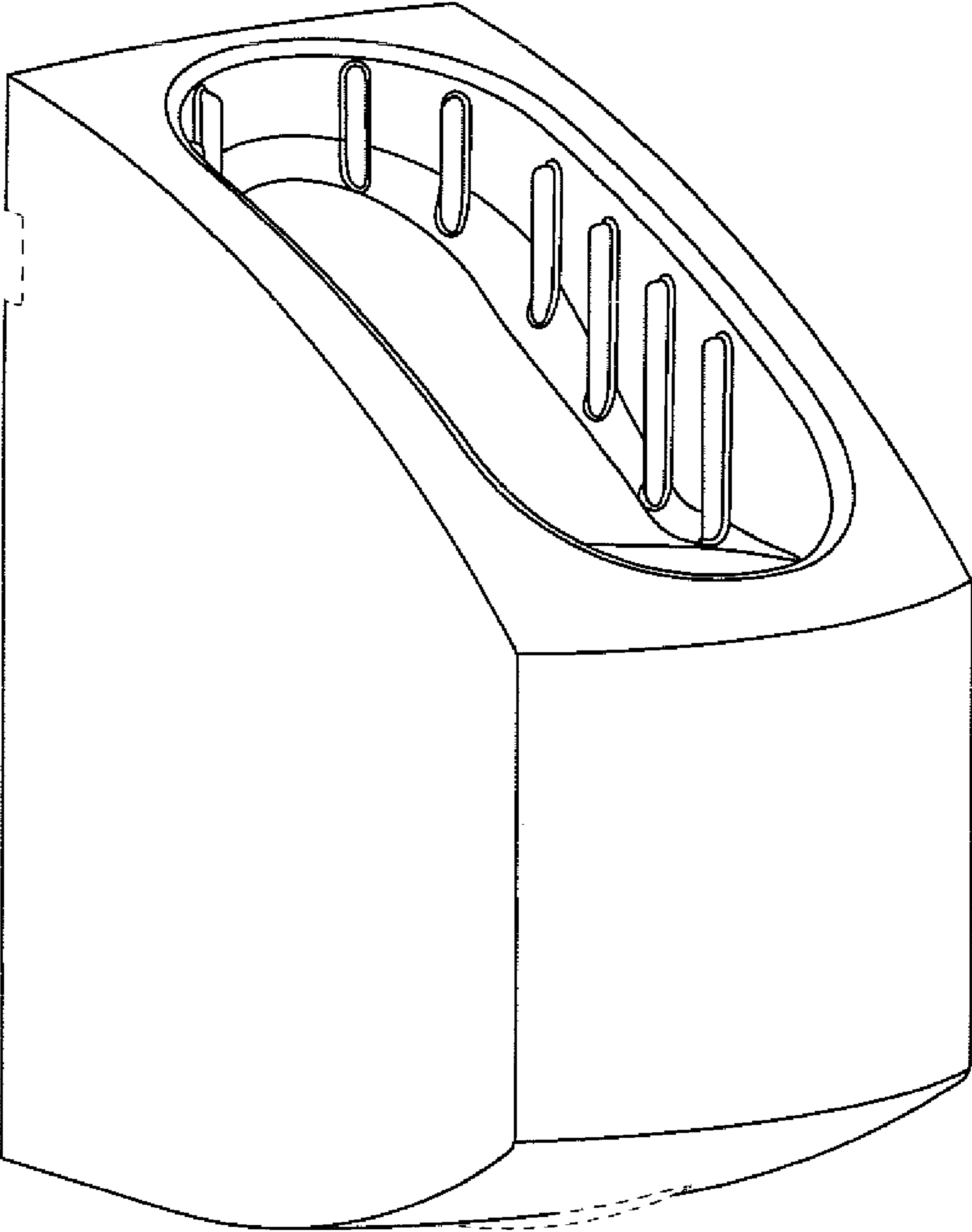


FIG. 1

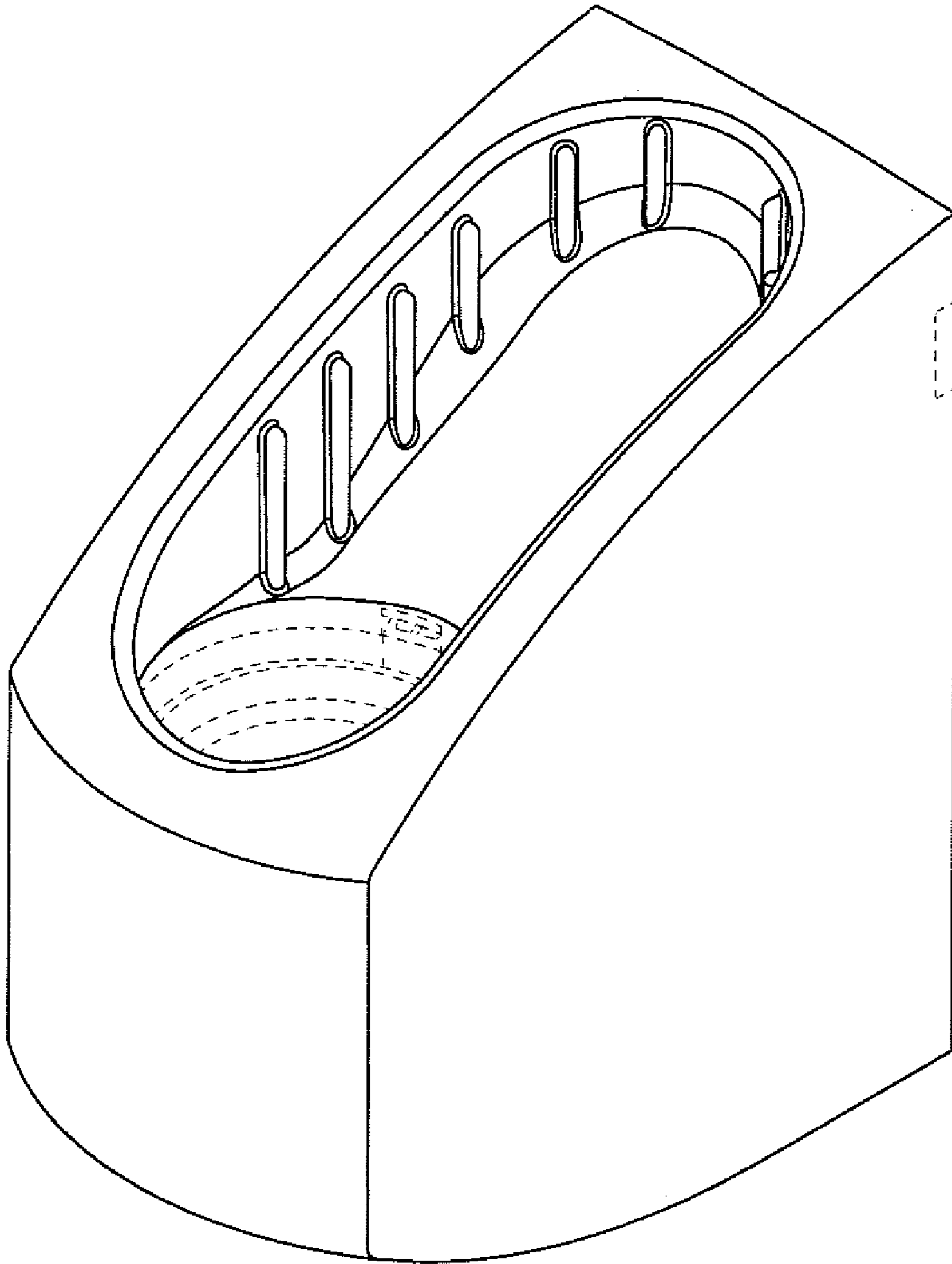


FIG. 2

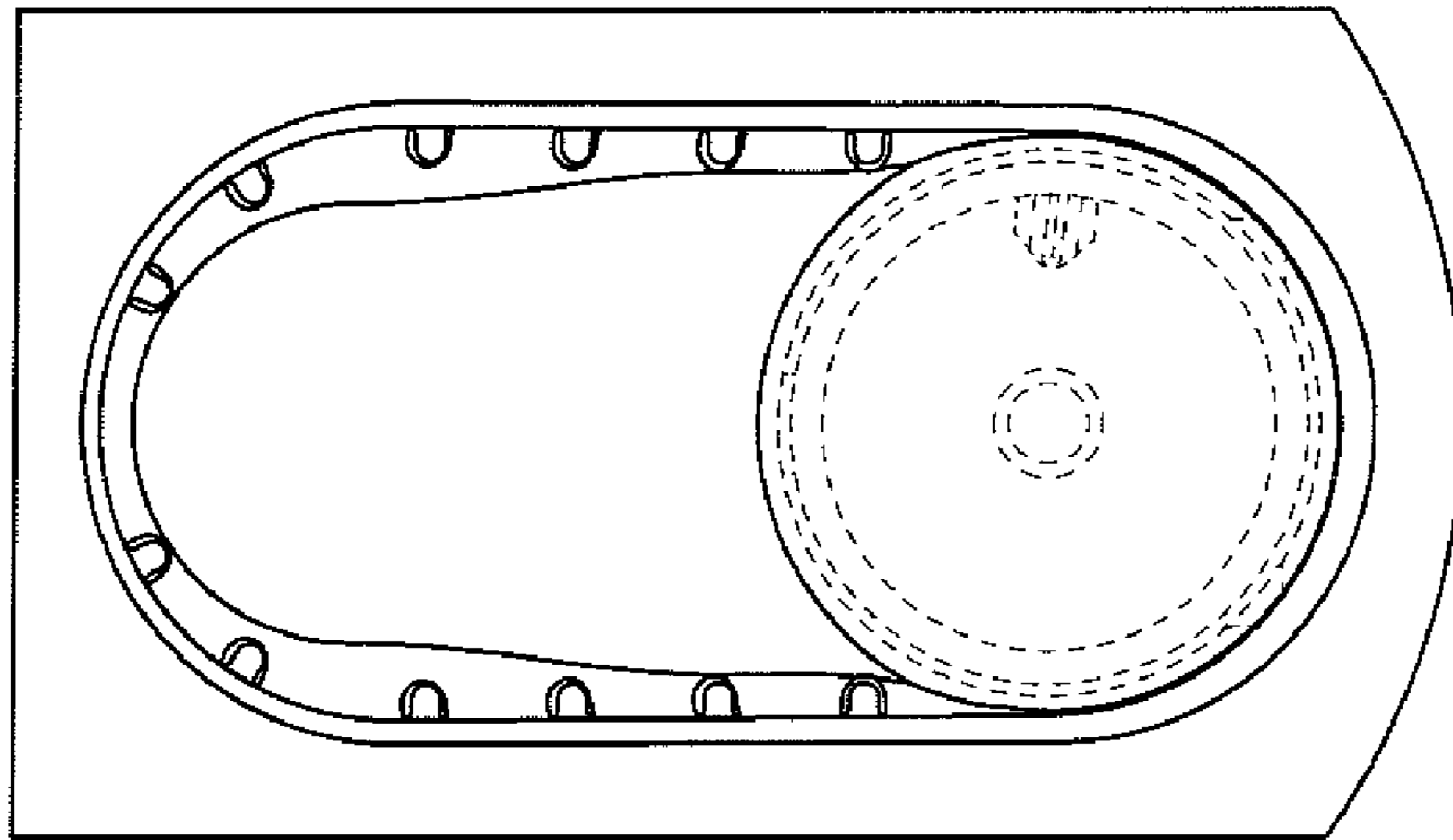


FIG. 4

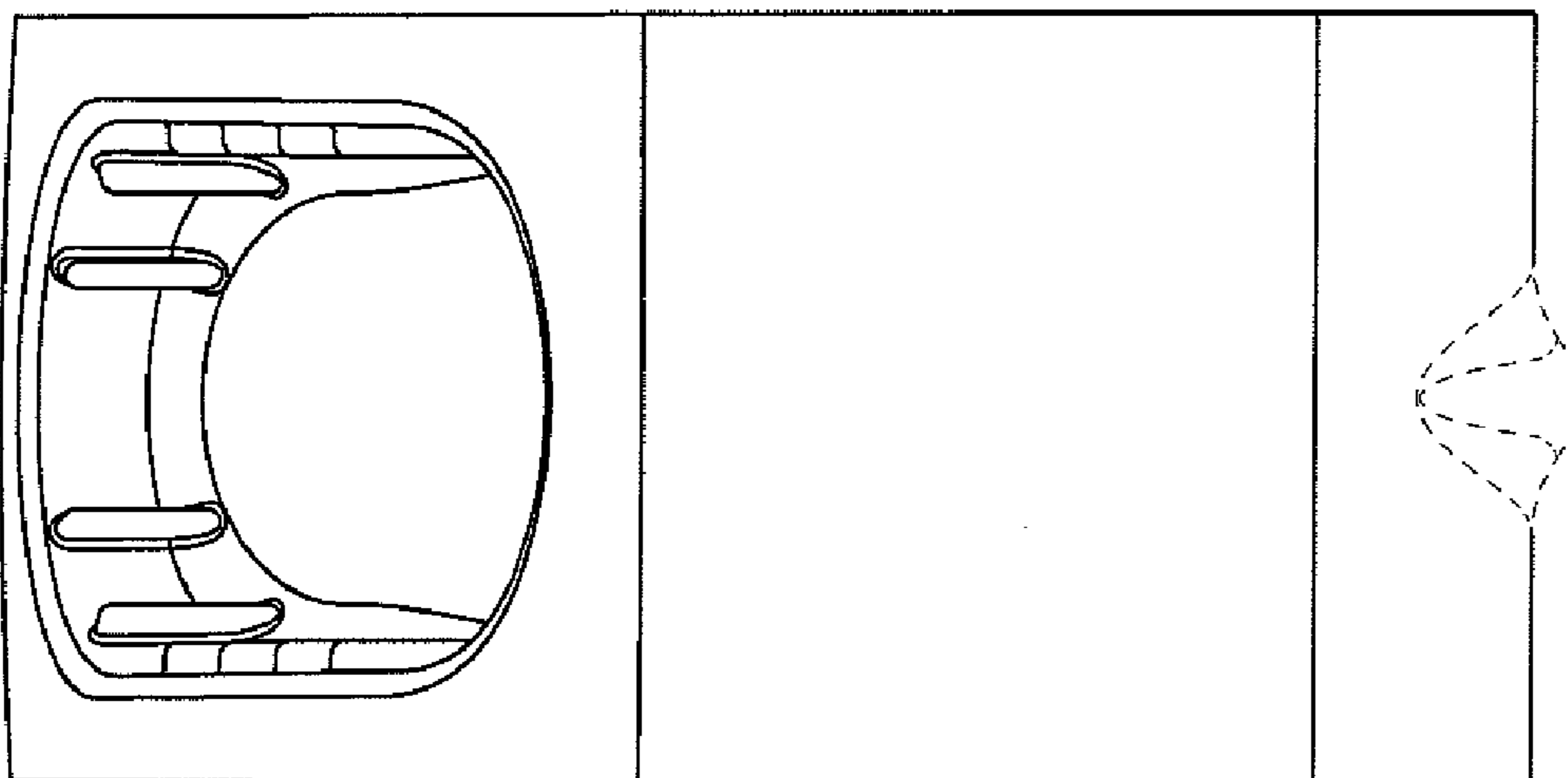


FIG. 3