



US00D573410S

(12) **United States Design Patent**
Hou

(10) **Patent No.:** **US D573,410 S**
(45) **Date of Patent:** **** Jul. 22, 2008**

(54) **FOOD AND BEVERAGE TRAY**

D265,154 S * 6/1982 Cox D6/406.6
D551,890 S * 10/2007 Gruber D6/601

(76) Inventor: **Glen Hou**, 1515 W. Sam Houston Pkwy.
N., Houston, TX (US) 77043

(**) Term: **14 Years**

(21) Appl. No.: **29/273,901**

(22) Filed: **Mar. 16, 2007**

(51) **LOC (8) Cl.** **07-02**

(52) **U.S. Cl.** **D7/553.4**

(58) **Field of Classification Search** D7/542,
D7/545, 550.1, 552.1, 553.1, 553.6, 554.2,
D7/555, 669, 682, 688, 683, 686, 354, 356,
D7/360, 376, 380, 553.4, 553.7, 642, 566,
D7/570, 501; D9/431, 500, 502, 737, 761,
D9/420, 422-426, 428, 429, 414-418; 220/904,
220/23.83, 574, 212, 657, 659, 755, 771,
220/555-557, 500, 506, 528, 529; 206/821,
206/822, 223, 541, 557, 564; 426/106, 119,
426/120, 127

See application file for complete search history.

(56) **References Cited**

U.S. PATENT DOCUMENTS

D229,486 S * 12/1973 Roper D34/38

* cited by examiner

Primary Examiner—Charles A. Rademaker

Assistant Examiner—Charles D Hanson

(74) *Attorney, Agent, or Firm*—James L. Jackson

(57) **CLAIM**

The ornamental design for a food and beverage tray, as shown and described.

DESCRIPTION

FIG. 1 is a top perspective view illustrating a food and beverage tray showing my new design;

FIG. 2 is a bottom perspective view thereof;

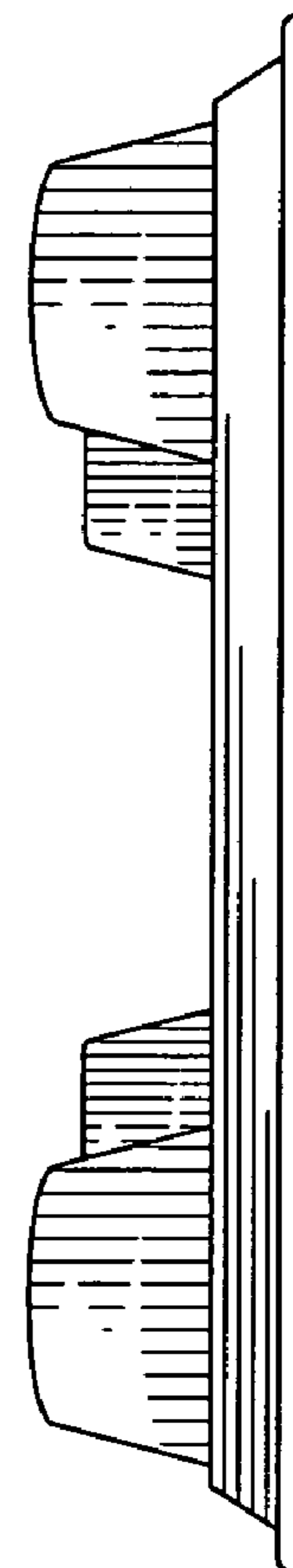
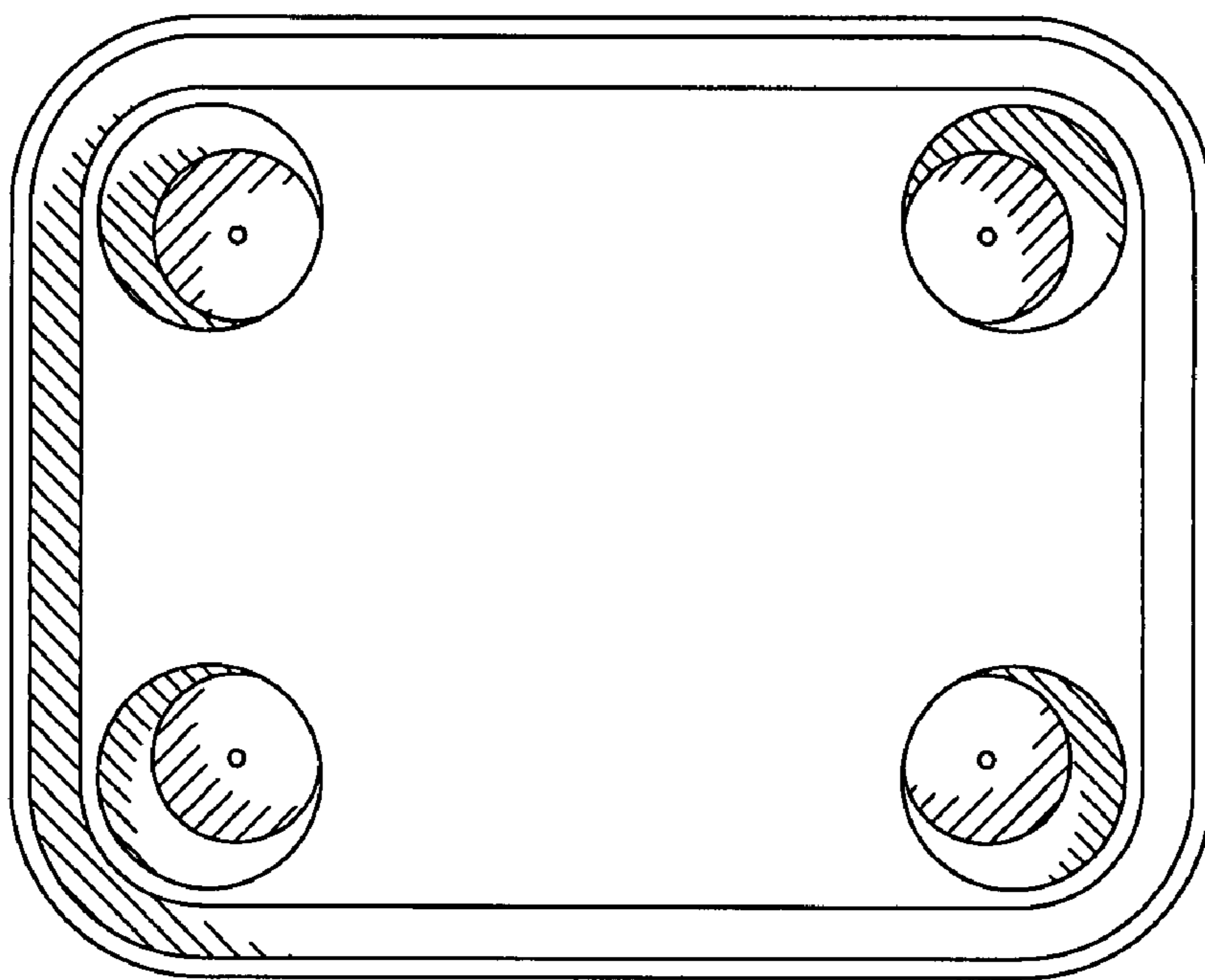
FIG. 3 is a right side elevational view thereof;

FIG. 4 is a left side elevational view thereof, said right and left side elevational views being mirror images of one another;

FIG. 5 is a front elevational view thereof; and,

FIG. 6 is a rear elevational view thereof, said front and rear elevational views being mirror images of one another;

1 Claim, 3 Drawing Sheets



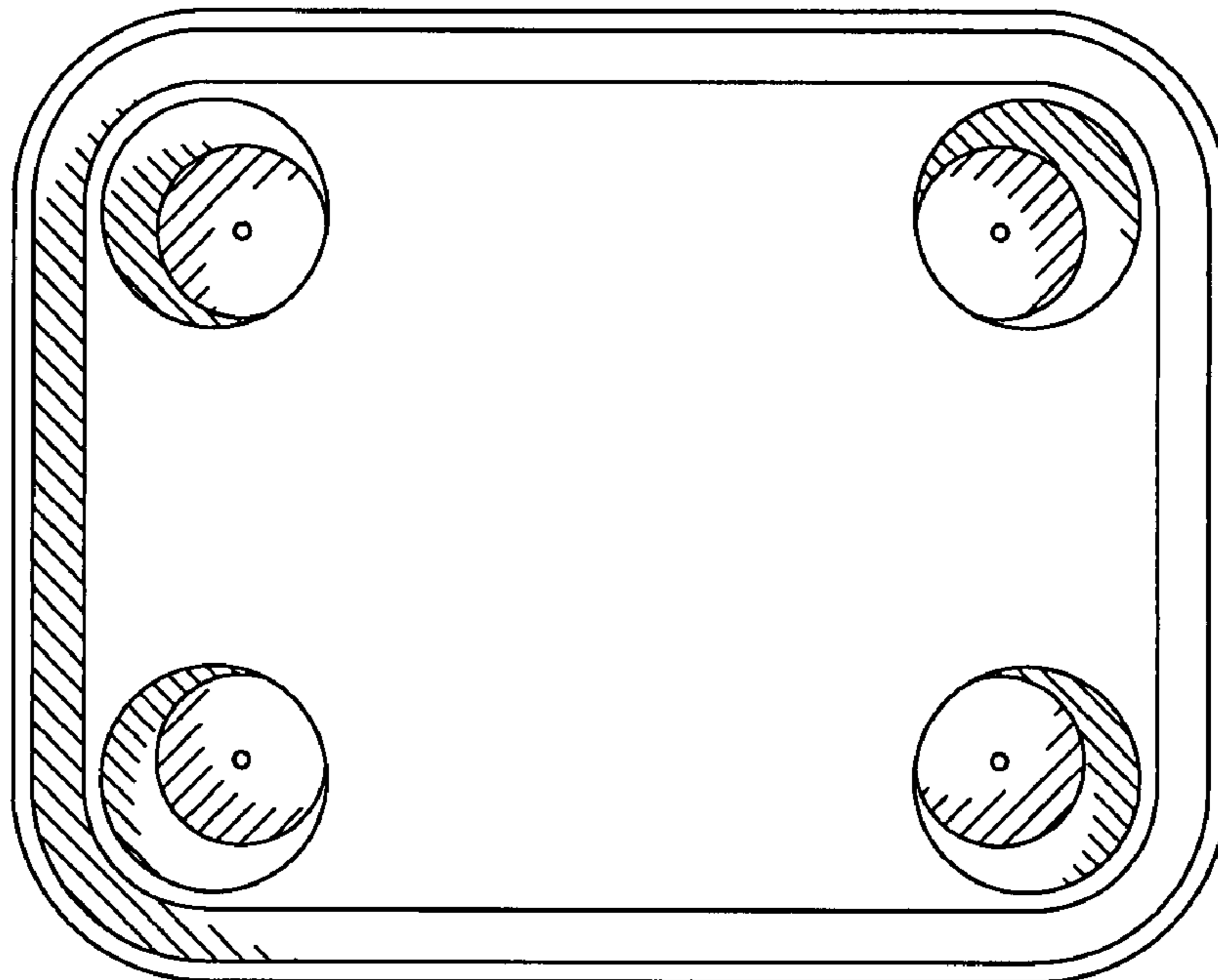


FIG. 1

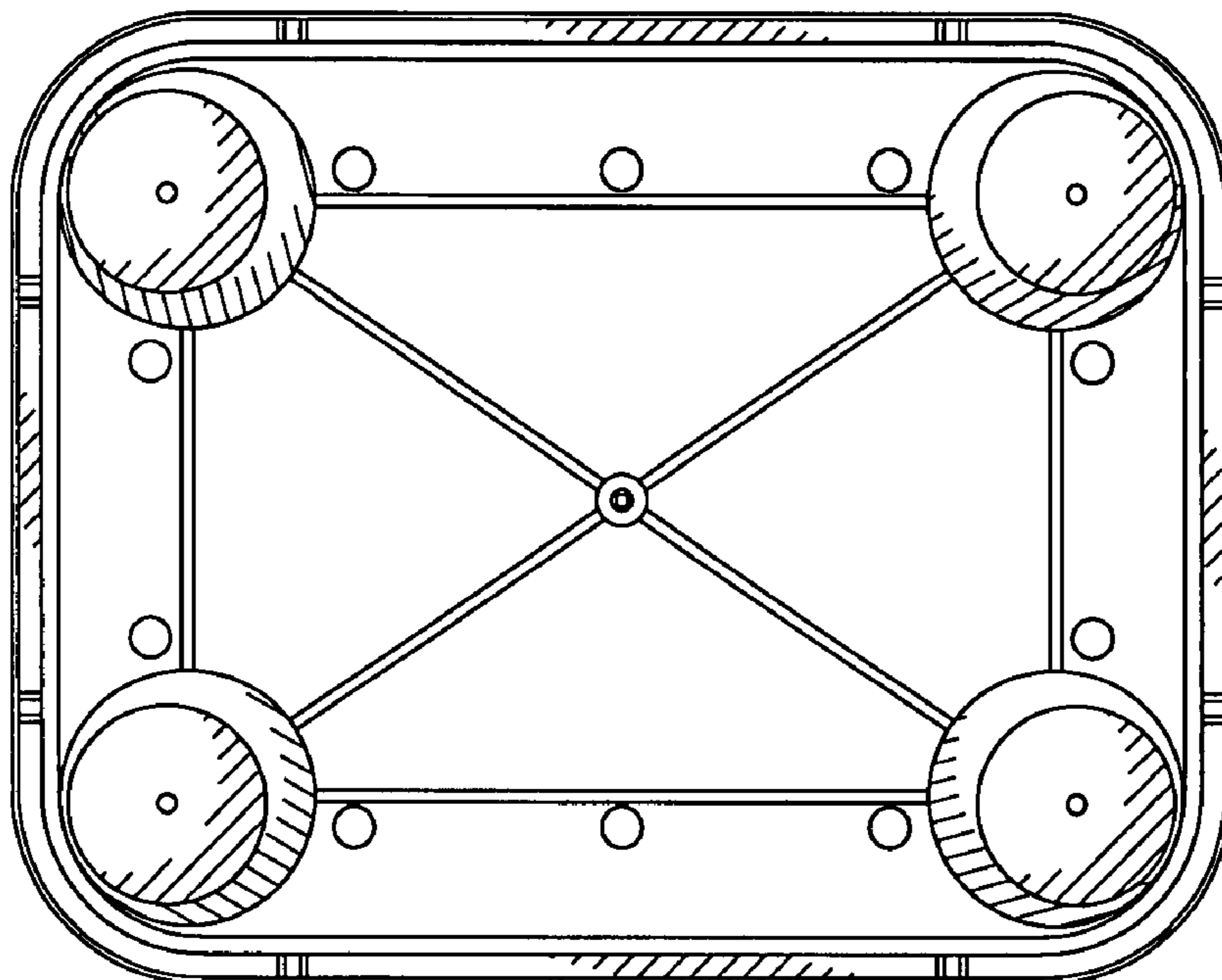


FIG. 2

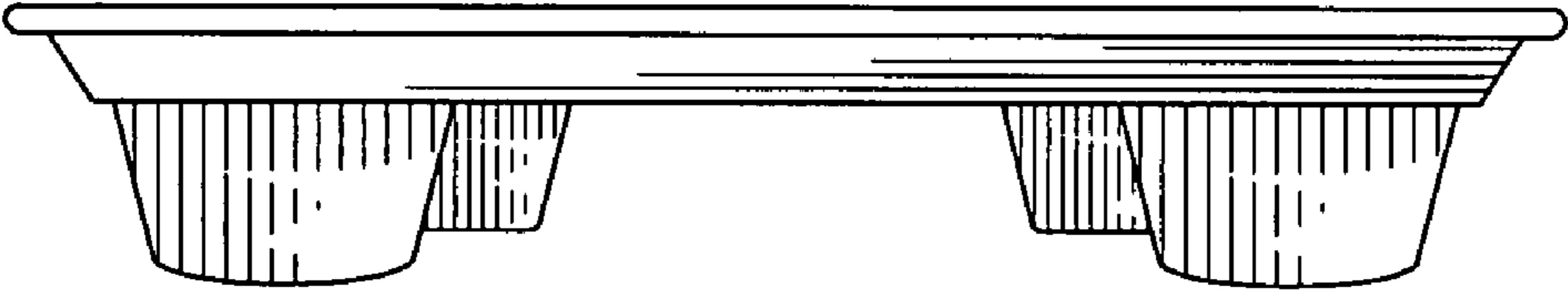


FIG. 4

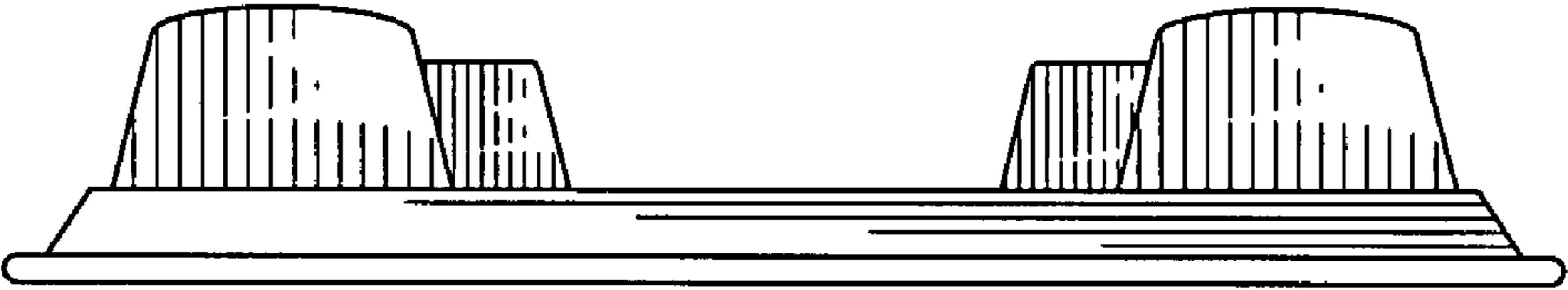


FIG. 3

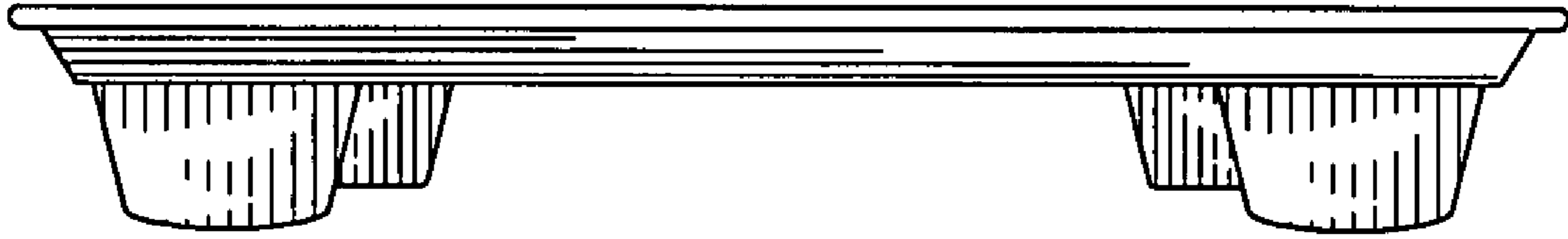


FIG. 5

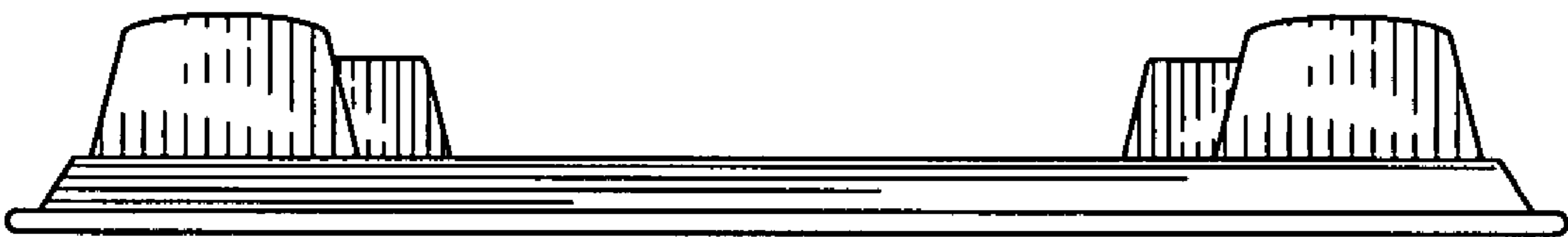


FIG. 6