



US00D573409S

(12) **United States Design Patent**
Lovett

(10) **Patent No.:** **US D573,409 S**
(45) **Date of Patent:** **** Jul. 22, 2008**

(54) **FOOD TRAY**

(75) Inventor: **James Kyle Lovett**, Atlanta, GA (US)

(73) Assignee: **InnoWare Plastic, Inc.**, Alpharetta, GA (US)

(**) Term: **14 Years**

(21) Appl. No.: **29/282,371**

(22) Filed: **Jul. 18, 2007**

(51) **LOC (8) Cl.** **07-01**

(52) **U.S. Cl.** **D7/553.3**

(58) **Field of Classification Search** D7/542,
D7/545, 550.1, 552.1, 553.1, 553.6, 554.2,
D7/555, 669, 682, 688, 683, 686, 354, 356,
D7/360, 376, 380, 553.4, 553.7, 642, 566,
D7/570, 501; D9/424, 425, 428, 429, 431,
D9/500, 502, 737, 761, 420, 422-426, 414-418;
220/904, 23.85, 574, 212, 657, 659, 755,
220/771, 555-557, 500, 506, 528, 529, 23.83;
206/821, 822, 223, 541, 557, 564; 426/106,
426/119, 120, 127

See application file for complete search history.

(56) **References Cited**

U.S. PATENT DOCUMENTS

1,607,864 A * 11/1926 Butler 220/574
D154,224 S * 6/1949 Sweet D7/553.5
D185,911 S * 8/1959 Chadbourne D7/555
D195,523 S * 6/1963 Patton D7/555
D242,106 S * 11/1976 Caner D7/555
4,279,354 A * 7/1981 Conti 220/23.83

D264,792 S * 6/1982 Conti D7/584
D268,645 S * 4/1983 Phillips et al. D9/761
D277,167 S * 1/1985 Dart D9/414
D302,122 S * 7/1989 Ashby D9/425
4,966,297 A * 10/1990 Doty 220/23.83
D424,880 S * 5/2000 Biber D7/543
6,142,332 A * 11/2000 Ferrara 220/212
D505,043 S * 5/2005 Isler et al. D7/354
D509,104 S * 9/2005 Price D7/553.4
D525,820 S * 8/2006 Oztiryaki D7/354
D554,498 S * 11/2007 Lovett D9/425
D554,531 S * 11/2007 Lovett D9/737

* cited by examiner

Primary Examiner—Charles A. Rademaker

Assistant Examiner—Charles D Hanson

(74) *Attorney, Agent, or Firm*—Baker Donelson et al.

(57) **CLAIM**

The ornamental design for a food tray, as shown and described.

DESCRIPTION

FIG. 1 is a perspective view of a food tray showing my new design;

FIG. 2 is a top view thereof;

FIG. 3 is a bottom view thereof;

FIG. 4 is a left side view thereof, the right side being a mirror image thereof;

FIG. 5 is a front view thereof; and,

FIG. 6 is a rear view thereof.

1 Claim, 4 Drawing Sheets

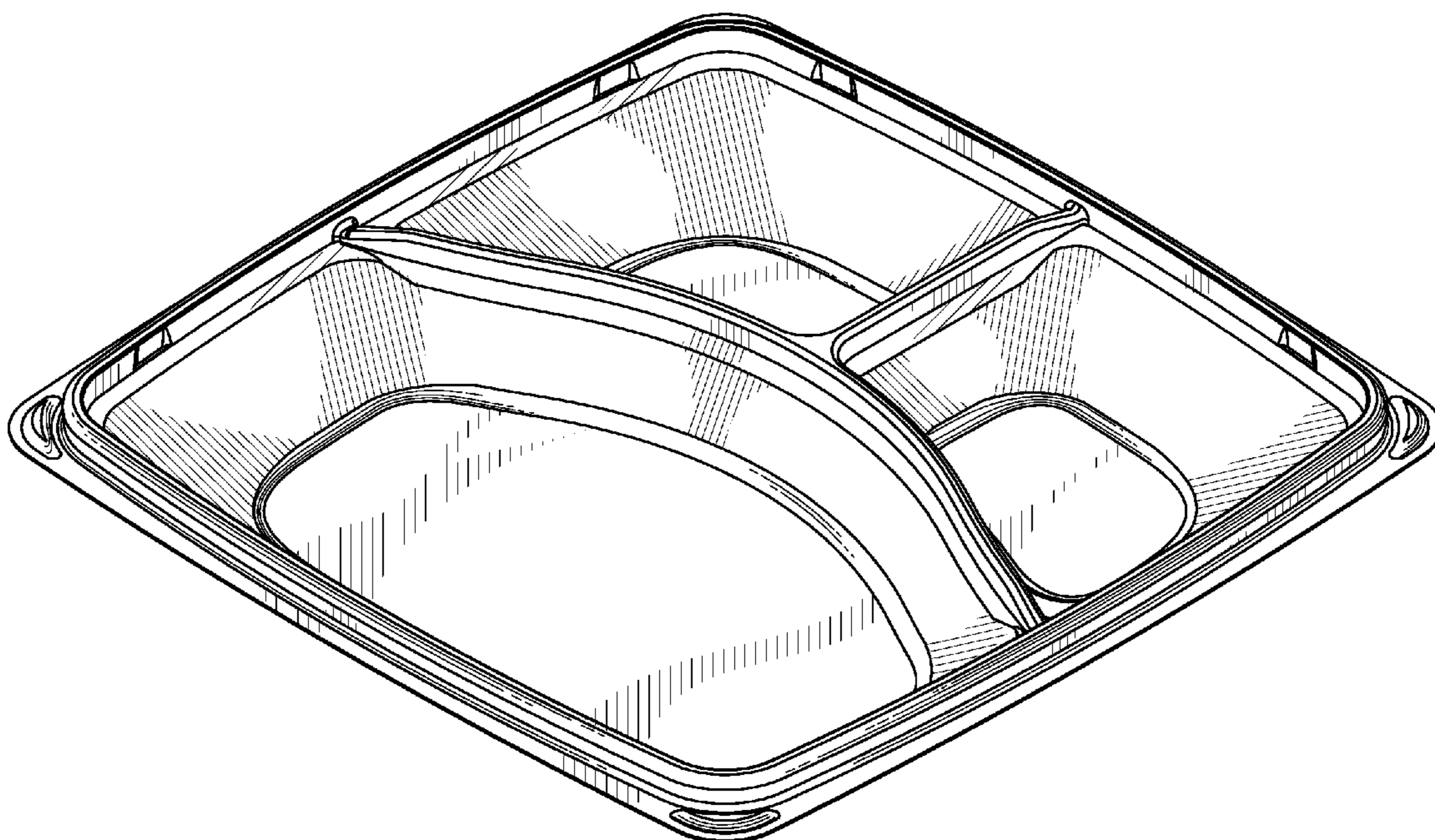


Fig. 1

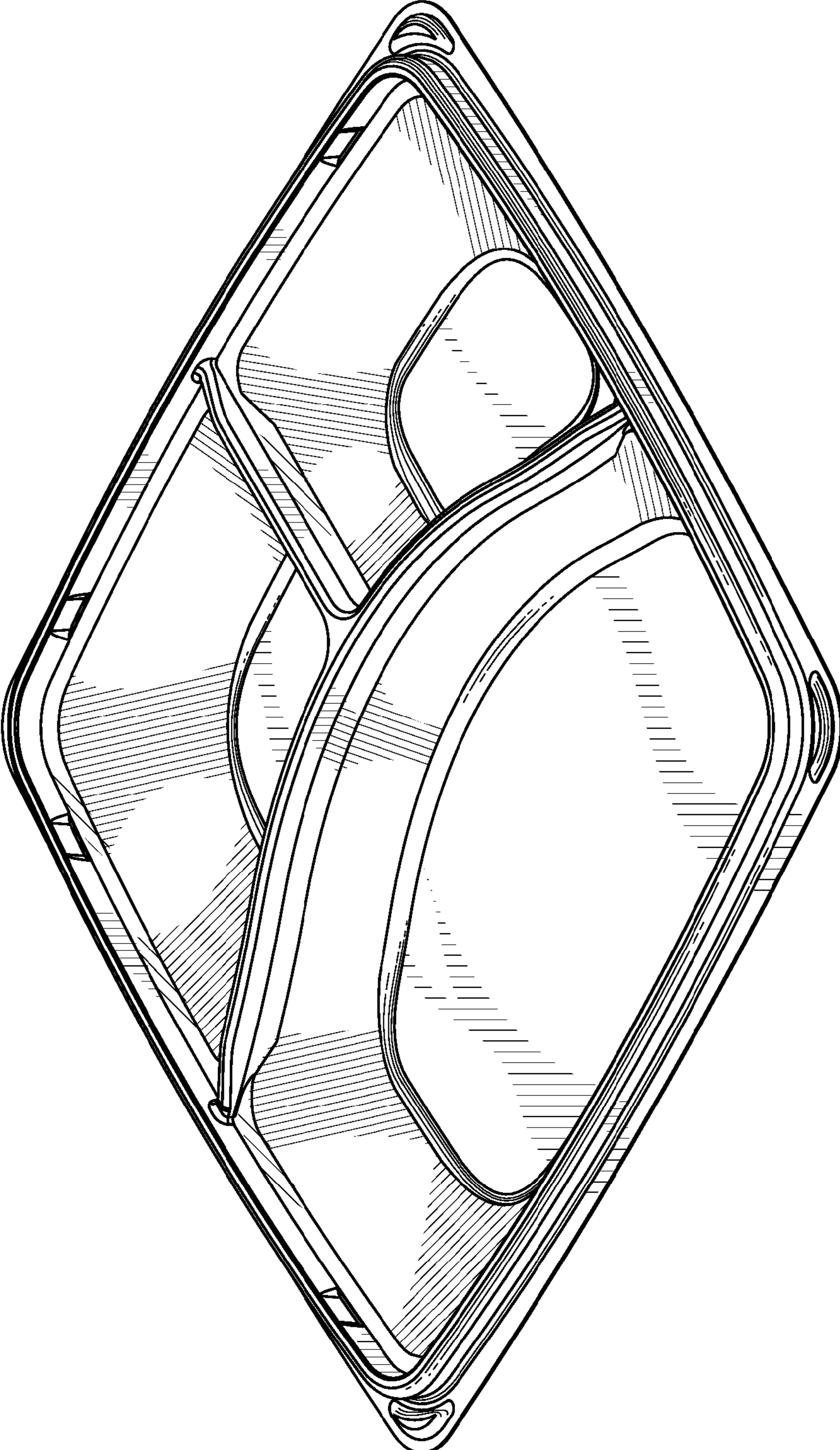


Fig. 2

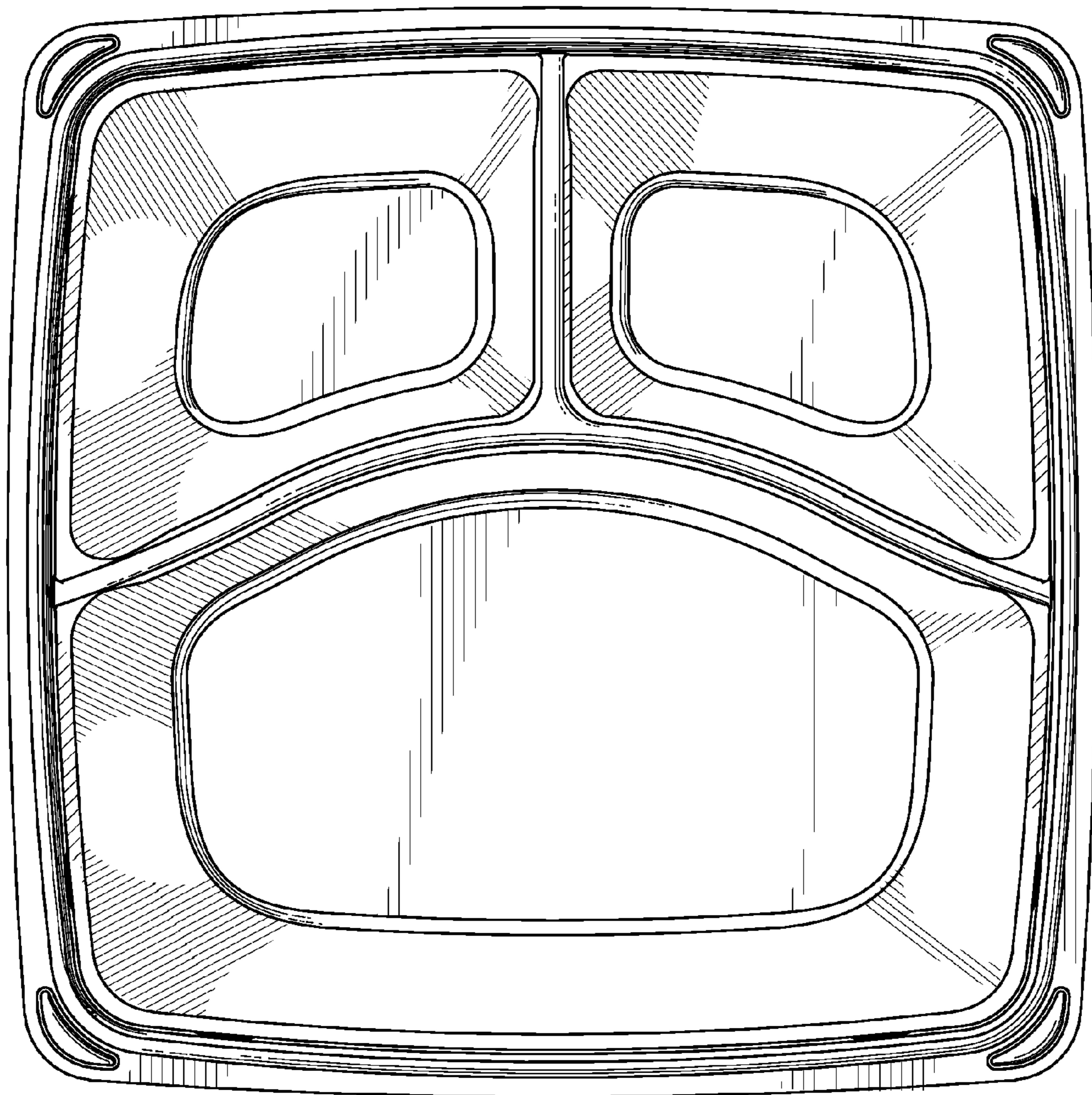


Fig. 3

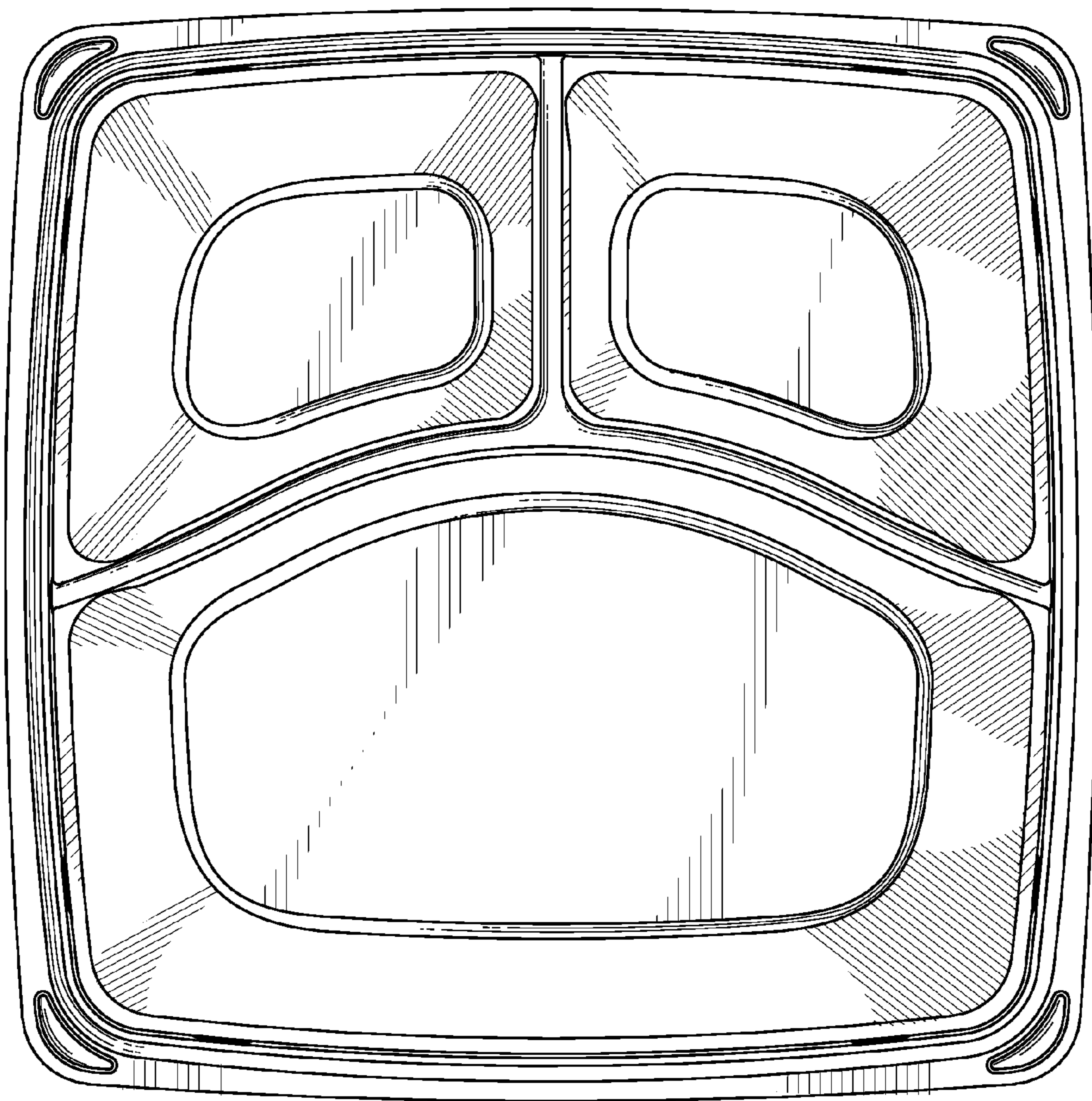


Fig. 4

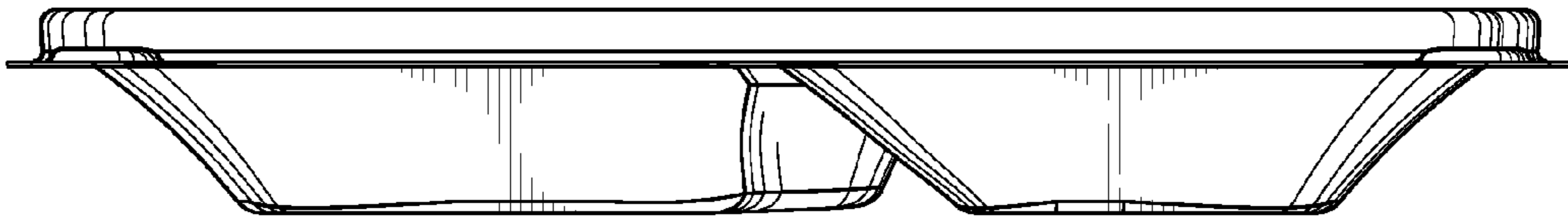


Fig. 5

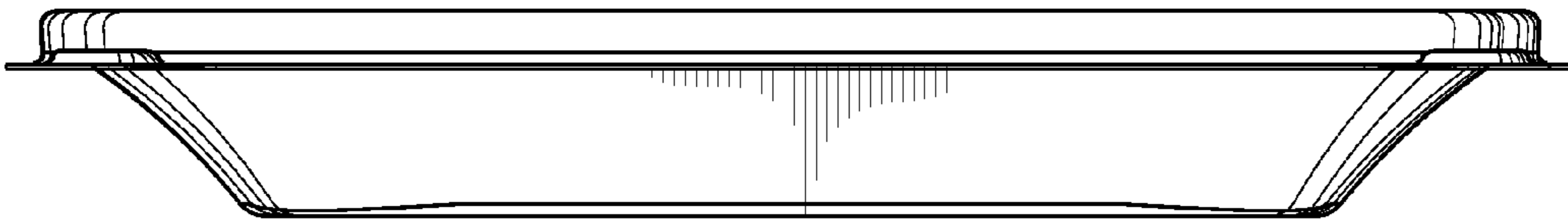


Fig. 6

