



US00D573406S

(12) **United States Design Patent**
Thurmond, Jr.

(10) **Patent No.:** **US D573,406 S**
(45) **Date of Patent:** **** Jul. 22, 2008**

(54) **DRINKING MUG**

(75) Inventor: **Meredith Thomas Thurmond, Jr.**,
24732 Mars Ct., Moreno Valley, CA
(US) 92553-5834

(73) Assignee: **Meredith Thomas Thurmond, Jr.**,
Moreno Valley, CA (US)

(**) Term: **14 Years**

(21) Appl. No.: **29/289,865**

(22) Filed: **Aug. 3, 2007**

(51) **LOC (8) Cl.** **07-01**

(52) **U.S. Cl.** **D7/532; D7/509; D9/502**

(58) **Field of Classification Search** D7/500,
D7/505, 507, 509, 510, 511, 514, 523, 531,
D7/532, 533, 536, 624.1; D9/500, 502, 504,
D9/556, 532, 428, 520, 715, 716; D11/152;
215/387, 371, 382, DIG. 7; 220/592.16,
220/592.17, 703, 630, 739; 99/341; 134/113;
219/432, 433; 362/101, 154

See application file for complete search history.

(56) **References Cited**

U.S. PATENT DOCUMENTS

D29,252 S *	8/1898	Bogert	D9/502
D39,591 S *	9/1908	Low	D19/85
D55,129 S *	5/1920	Koken	D32/37
D96,566 S *	8/1935	Straus	D7/532
D98,420 S *	2/1936	Deskey	D7/523
D105,430 S *	7/1937	Boehm	D7/532
D105,567 S *	8/1937	Boehm	D7/532
D105,943 S *	9/1937	Fuerst	D7/523
D113,385 S *	2/1939	Hansen	D7/532

D168,577 S *	1/1953	Levi	D7/523
D250,314 S *	11/1978	Elliott et al.	D7/511
D277,550 S *	2/1985	Campbell et al.	D9/500
D289,937 S *	5/1987	Cleveland, Jr.	D34/39
D365,757 S *	1/1996	Stenger	D9/502
D385,194 S *	10/1997	Robbins, III	D9/502
D489,986 S *	5/2004	Case et al.	D9/502
D490,655 S *	6/2004	Zettle et al.	D7/532

* cited by examiner

Primary Examiner—Gary D. Watson

Assistant Examiner—Cynthia Underwood

(74) *Attorney, Agent, or Firm*—Drinker Biddle & Reath LLP

(57) **CLAIM**

The ornamental design for a drinking mug, as shown and described.

DESCRIPTION

FIG. 1 is a perspective view showing a drinking mug according to my new design.

FIG. 2 is a top view thereof.

FIG. 3 is a side view thereof.

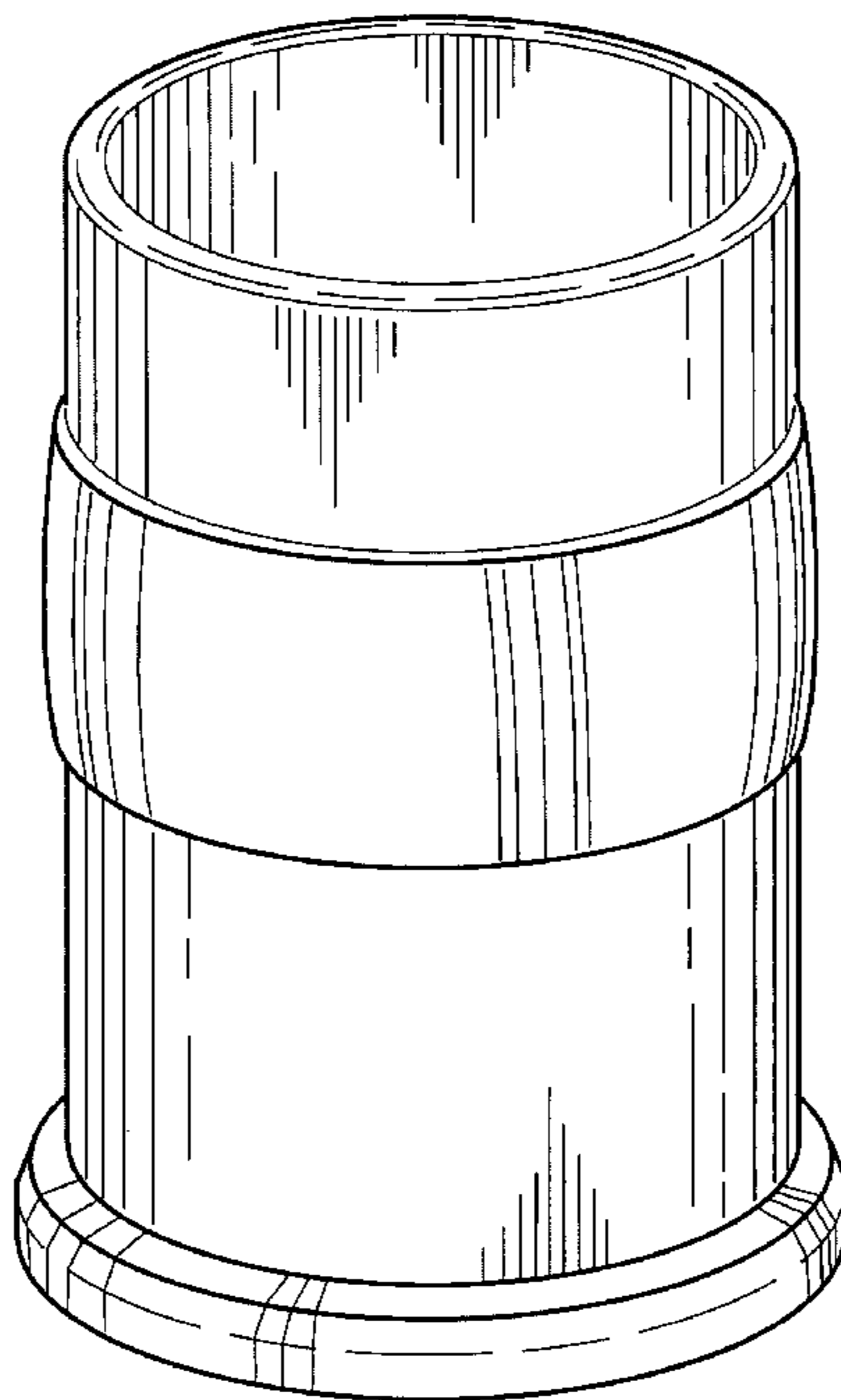
FIG. 4 is a bottom view of the drinking mug of FIG. 1, the drinking mug having a first insert received in a bottom of the mug.

FIG. 5 is a bottom perspective view thereof; and,

FIG. 6 is a bottom perspective view of a second embodiment of the drinking mug of FIG. 1, the drinking mug having an alternative second insert received in the bottom of the mug.

The portions of the drawings appearing in broken line do not form a part of the design.

1 Claim, 4 Drawing Sheets



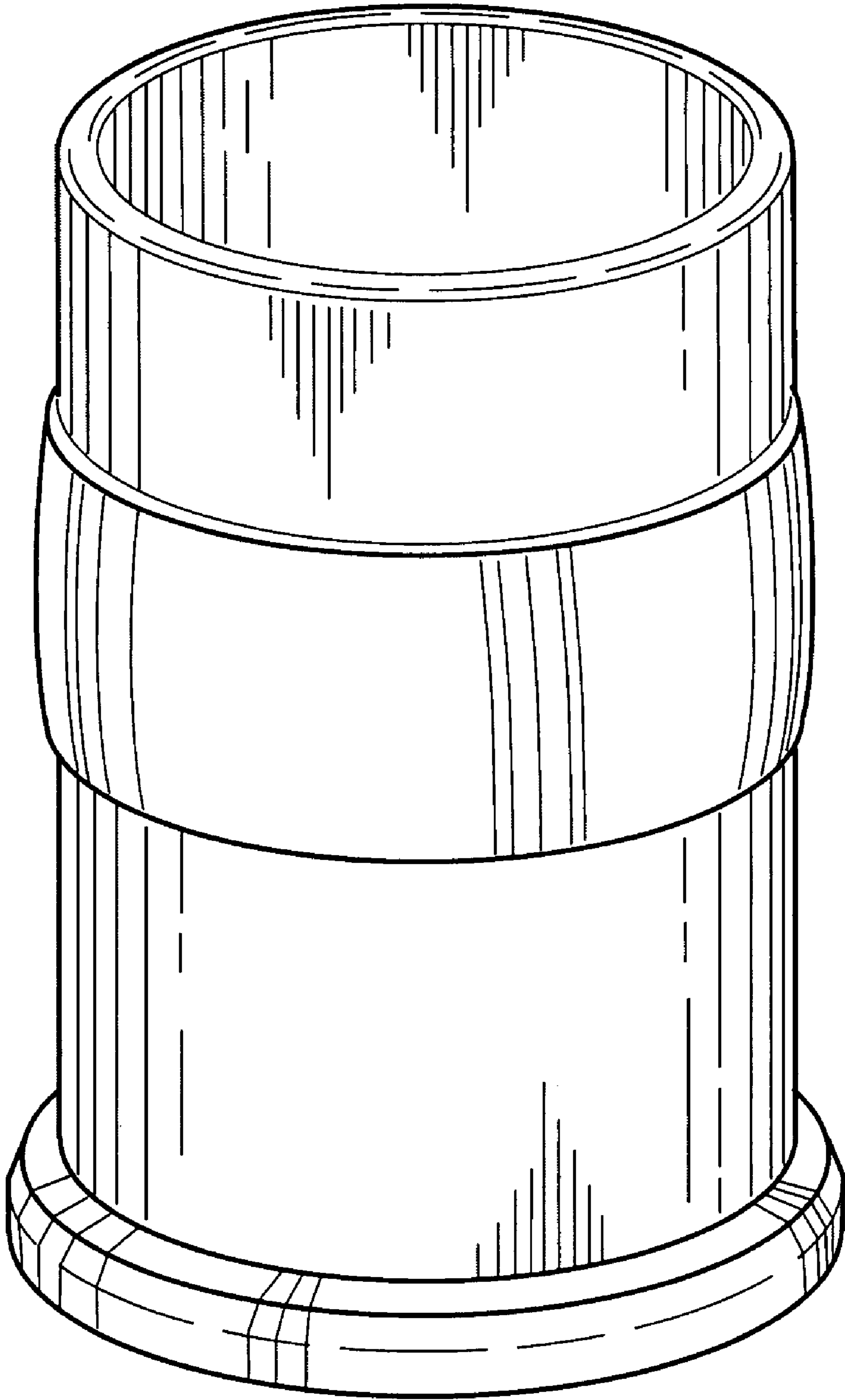


FIG. 1

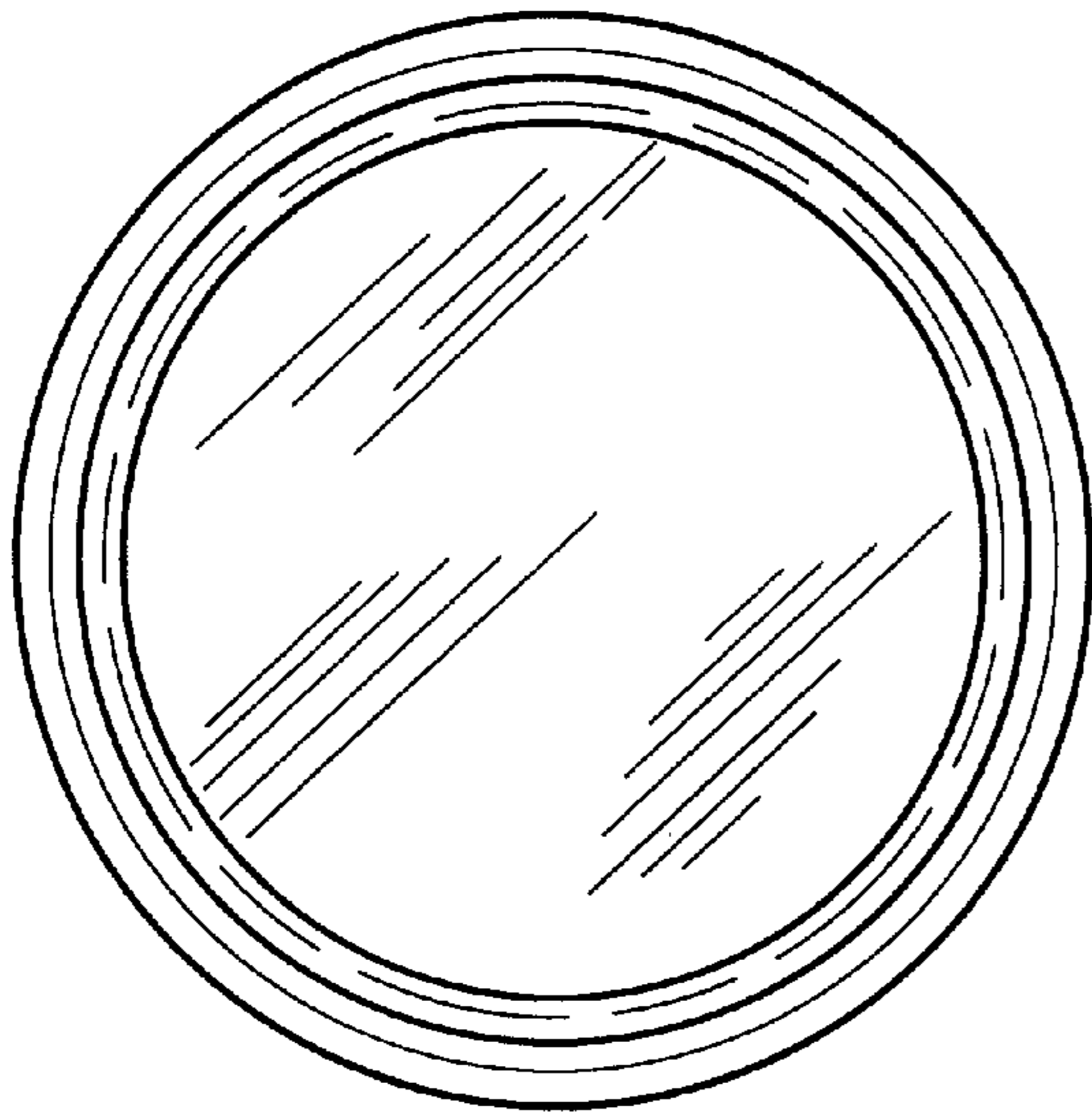


FIG. 2

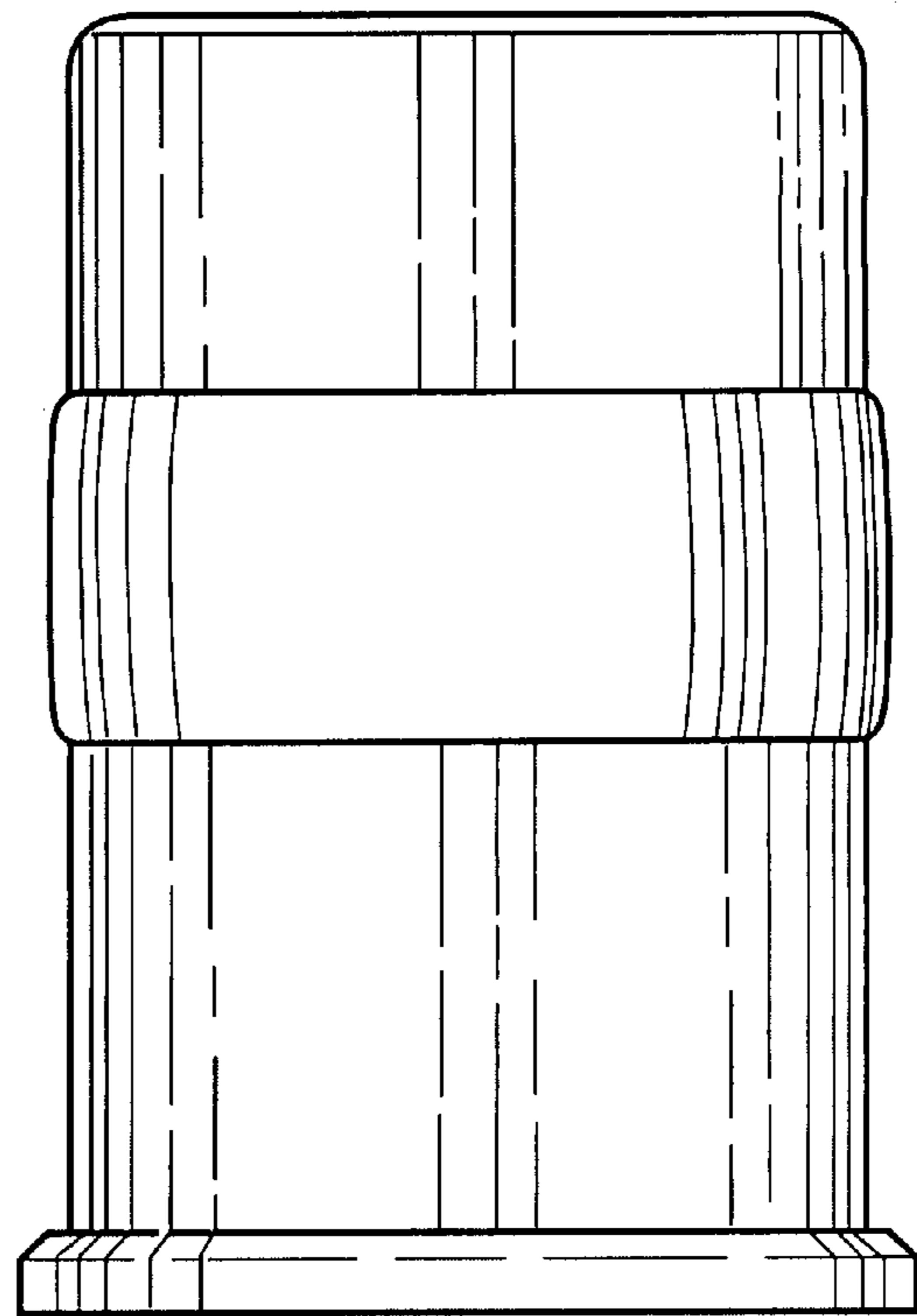


FIG. 3

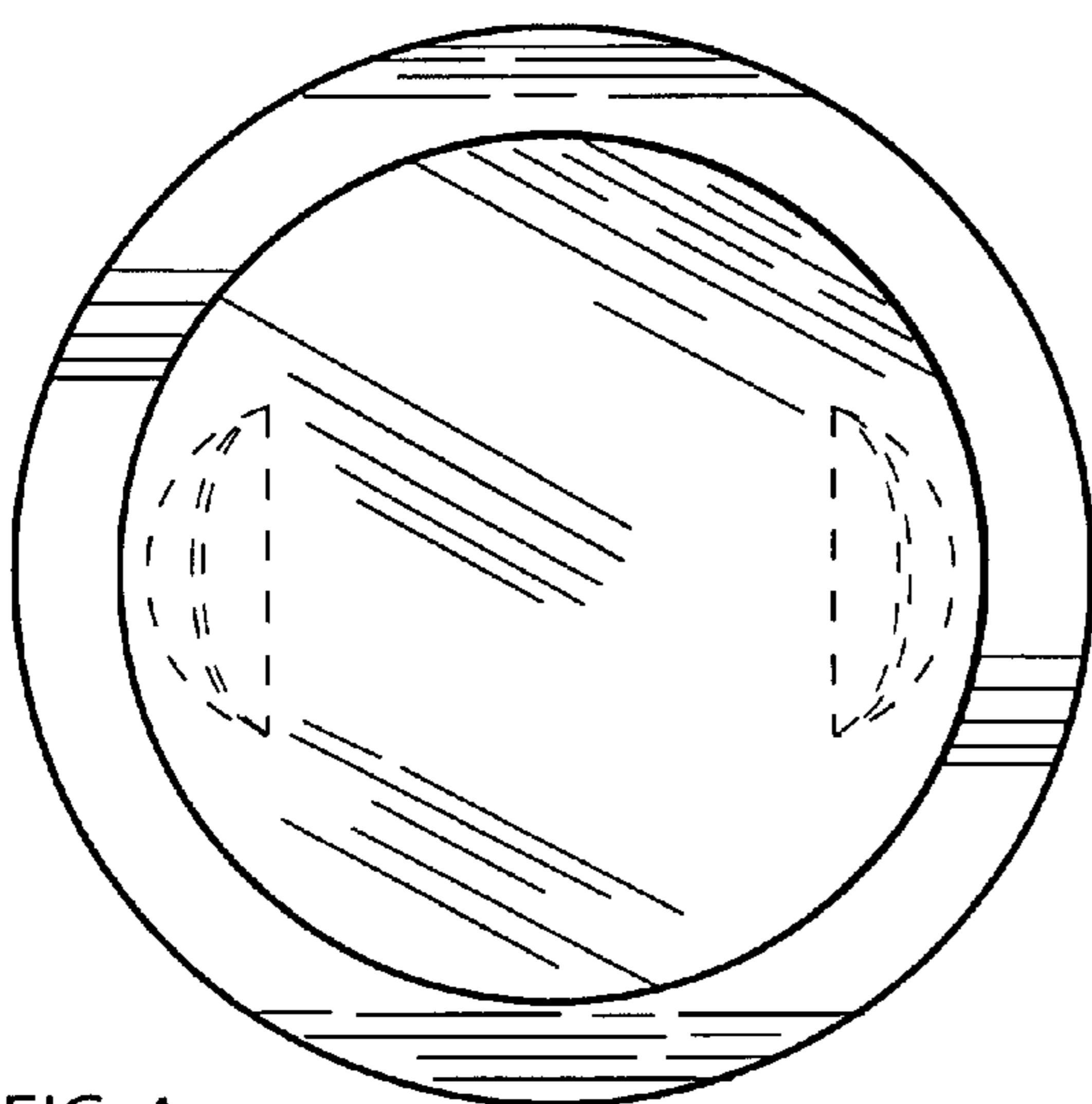


FIG. 4

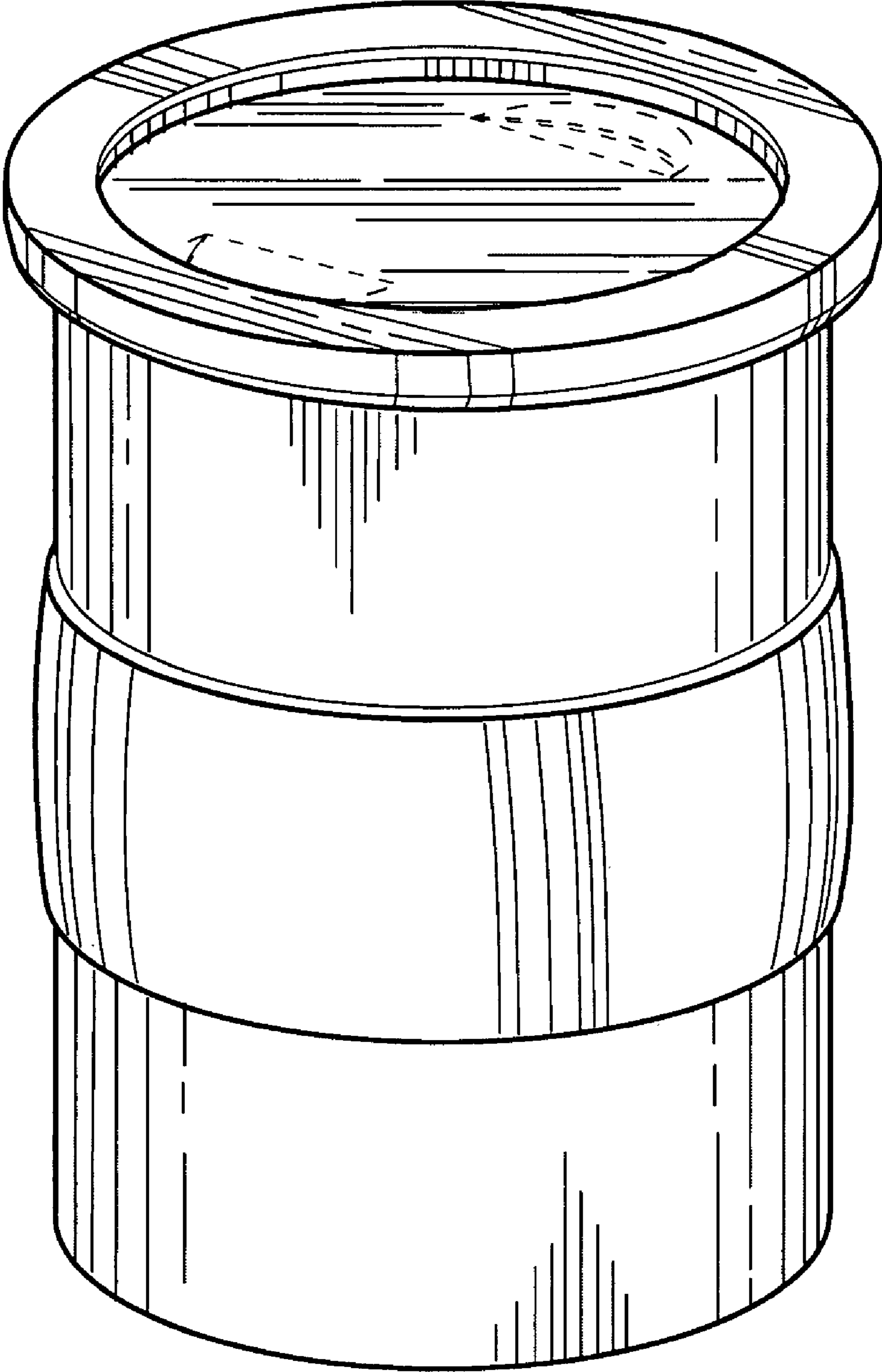


FIG. 5

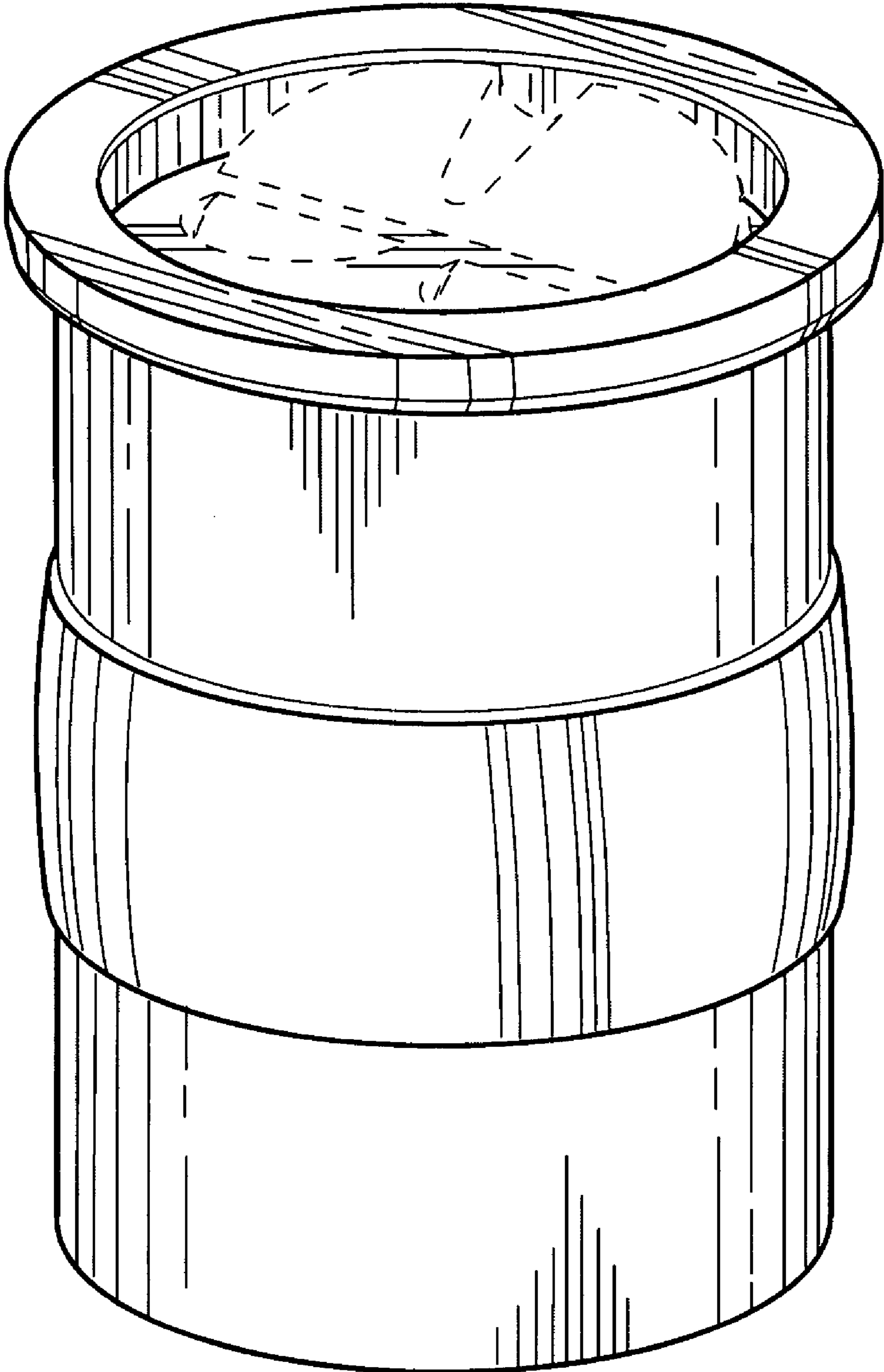


FIG. 6