



US00D573402S

(12) **United States Design Patent**  
**Goodman et al.**

(10) **Patent No.:** **US D573,402 S**  
(45) **Date of Patent:** **\*\* Jul. 22, 2008**

(54) **TRIVET**

(75) Inventors: **Sheldon H. Goodman**, Solon, OH (US);  
**Justin J. Myers**, Strongsville, OH (US)

(73) Assignee: **Spectrum Diversified Designs, Inc.**,  
Streetsboro, OH (US)

(\*\*) Term: **14 Years**

(21) Appl. No.: **29/297,455**

(22) Filed: **Nov. 12, 2007**

(51) **LOC (8) Cl.** ..... **07-01**

(52) **U.S. Cl.** ..... **D7/388; D7/408**

(58) **Field of Classification Search** ..... D7/387,  
D7/388, 402-404, 407-409; D6/480, 536;  
D23/397, 386; D34/38; D29/119; D27/126;  
428/450; 248/346.01, 346.02, 150; 99/450;  
108/156; 219/732

See application file for complete search history.

(56) **References Cited**

**U.S. PATENT DOCUMENTS**

- D69,323 S \* 1/1926 Karsh ..... D6/495
- D189,050 S \* 10/1960 Wright ..... D7/388
- D267,386 S \* 12/1982 Kneale, III ..... D7/388

- D299,777 S \* 2/1989 Michau ..... D34/38
- D399,386 S \* 10/1998 Goodman ..... D7/388
- 6,000,666 A \* 12/1999 Kari ..... 248/150
- D419,744 S \* 1/2000 Carter ..... D34/38
- D499,302 S \* 12/2004 Liu ..... D7/408
- D533,381 S \* 12/2006 Snell ..... D6/536
- D546,119 S \* 7/2007 Dodge ..... D7/388
- D551,018 S \* 9/2007 Goodman et al. .... D7/388
- D556,423 S \* 11/2007 Weise et al. .... D34/38

\* cited by examiner

*Primary Examiner*—Philip S. Hyder

*Assistant Examiner*—Cynthia Underwood

(74) *Attorney, Agent, or Firm*—Pearne & Gordon LLP

(57) **CLAIM**

The ornamental design for a trivet, as shown and described.

**DESCRIPTION**

FIG. 1 is a perspective view of a trivet, showing our new design;

FIG. 2 is a top plan view thereof;

FIG. 3 is a front elevational view thereof;

FIG. 4 is a side elevational view thereof; and,

FIG. 5 is a bottom plan view thereof.

**1 Claim, 2 Drawing Sheets**

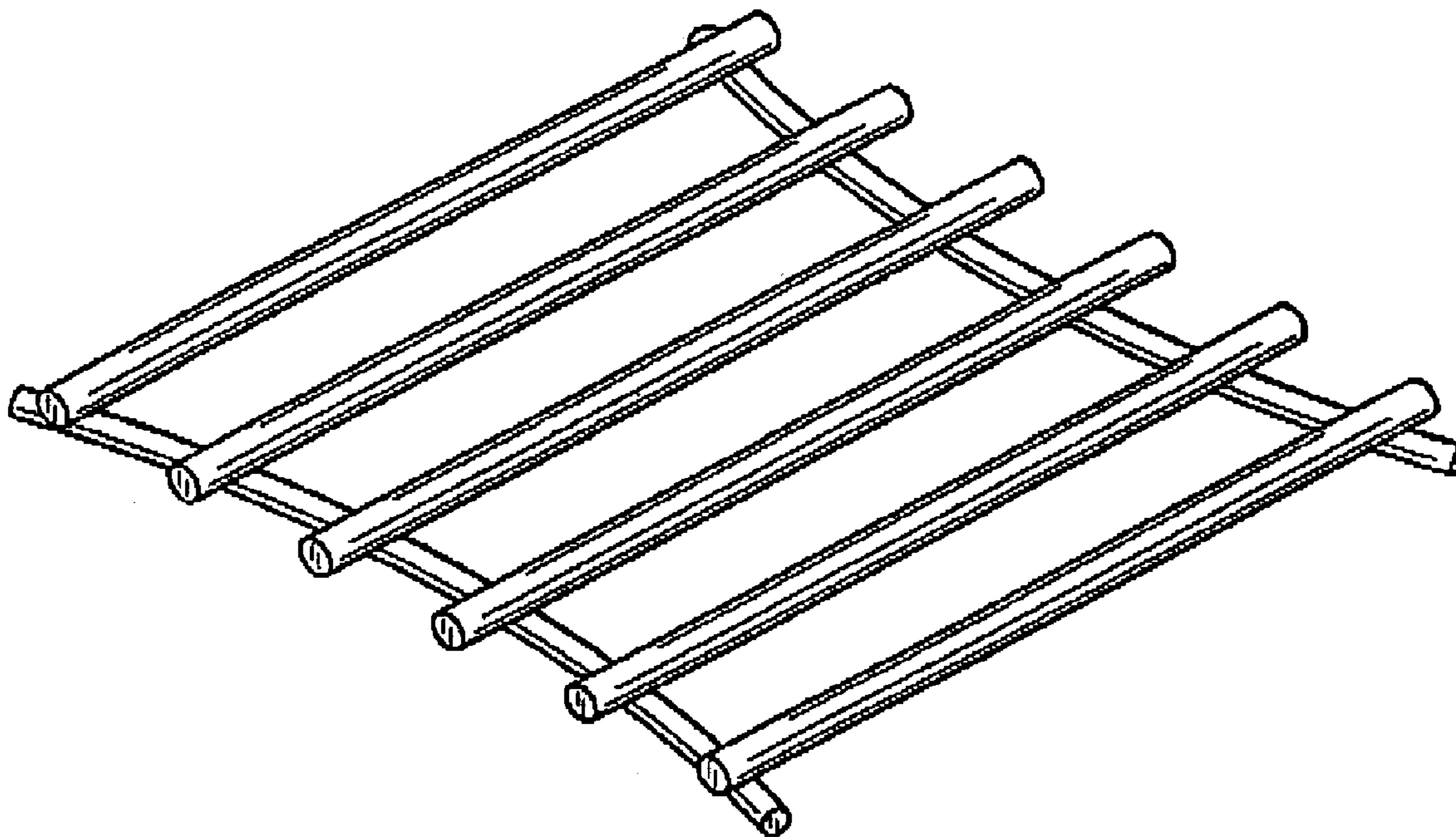


FIG. 1

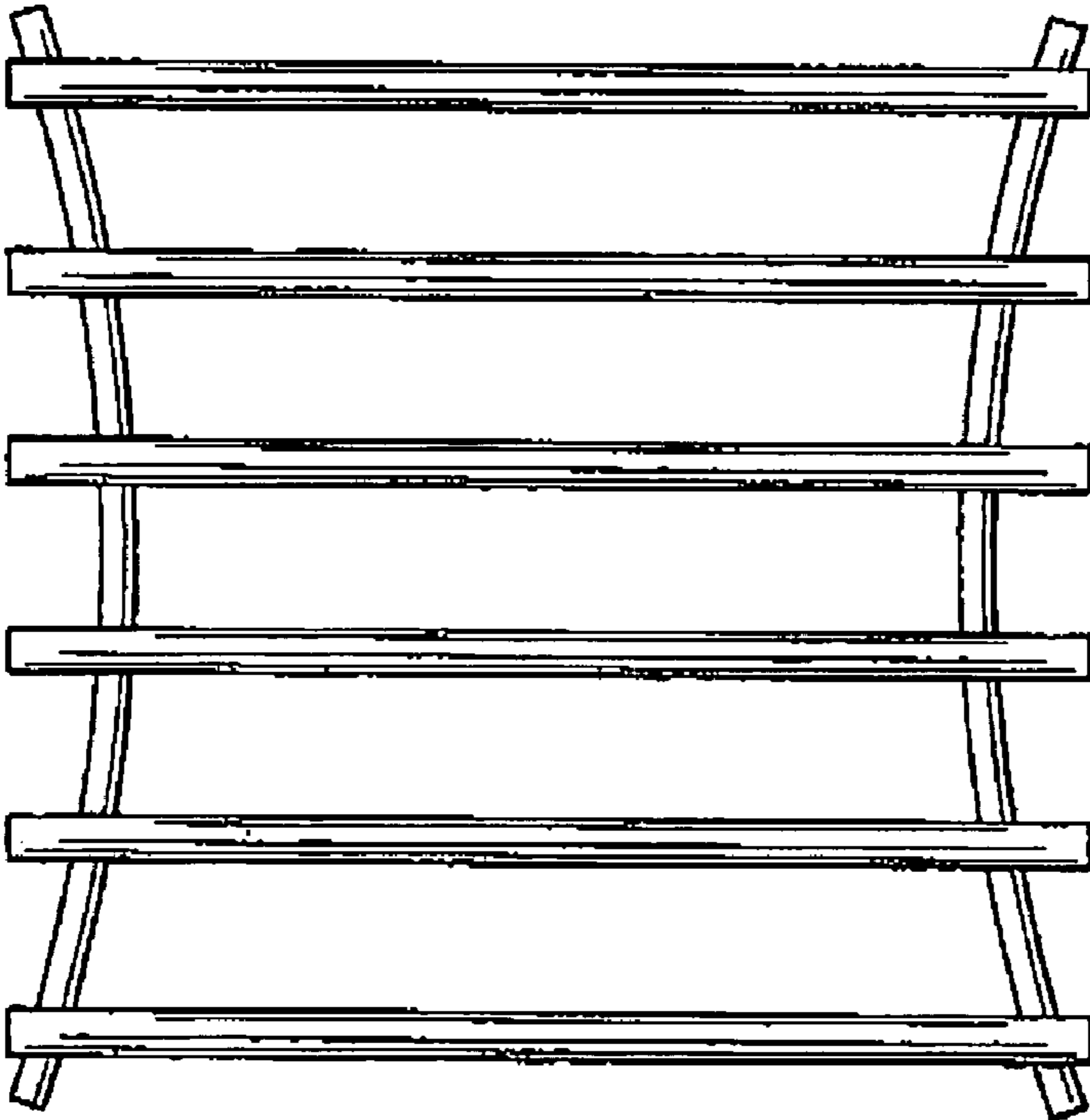
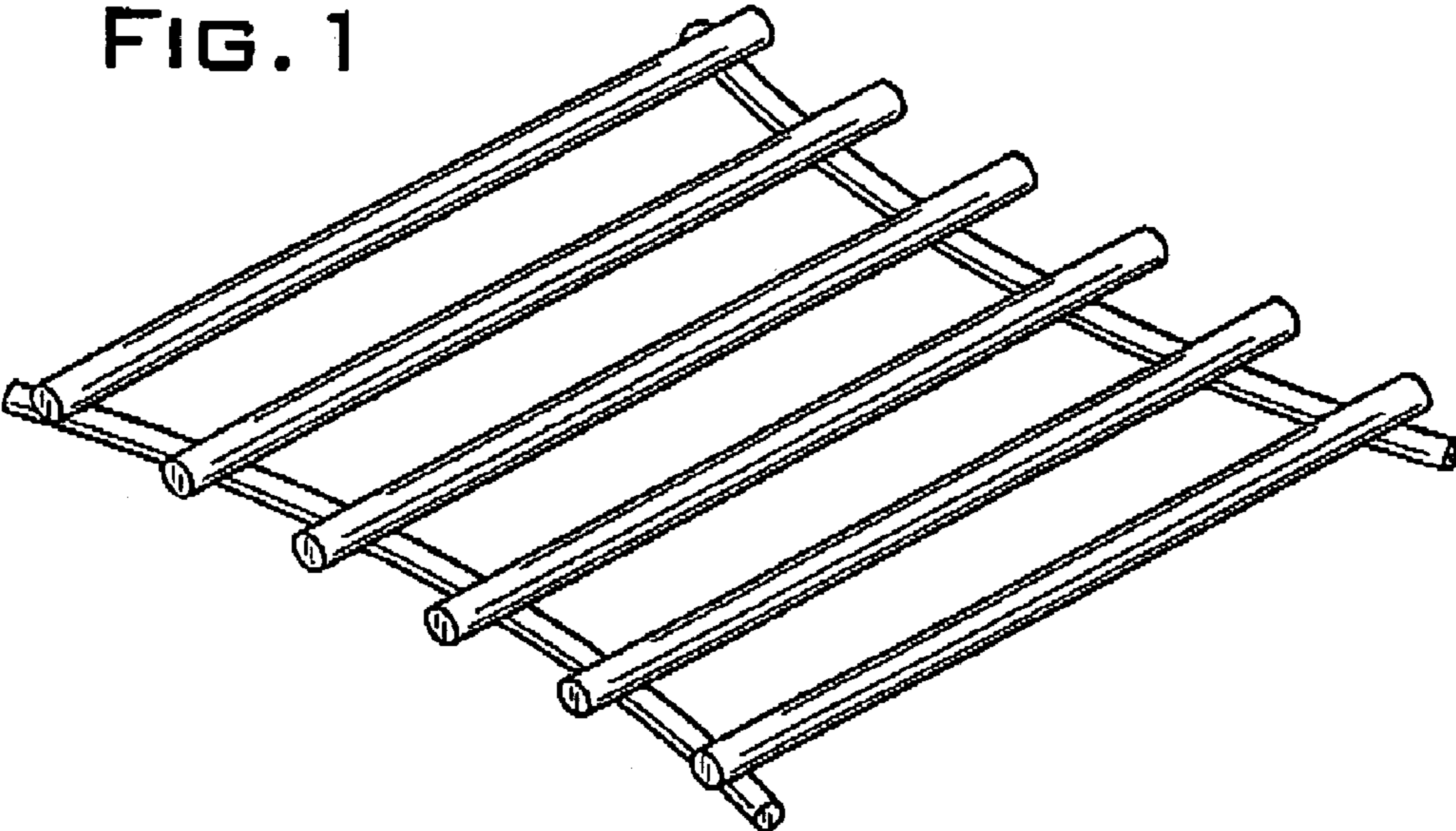


FIG. 2

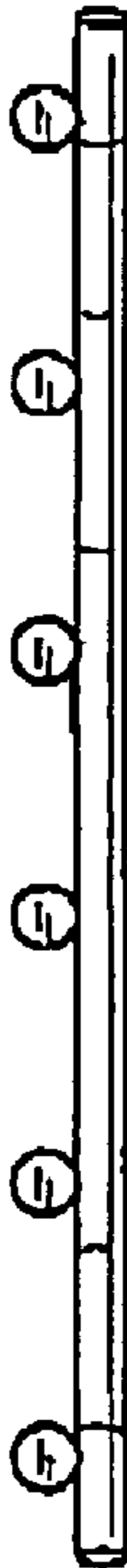


FIG. 4

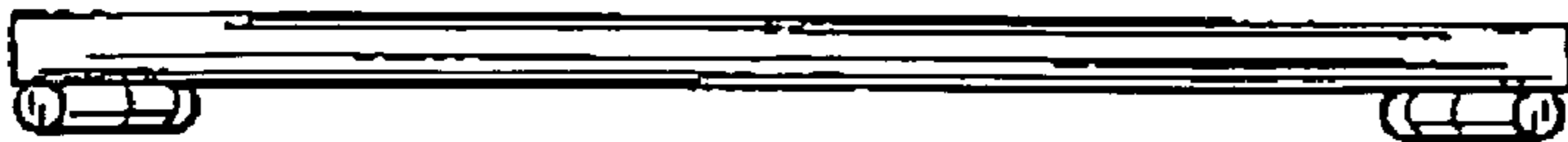


FIG. 3

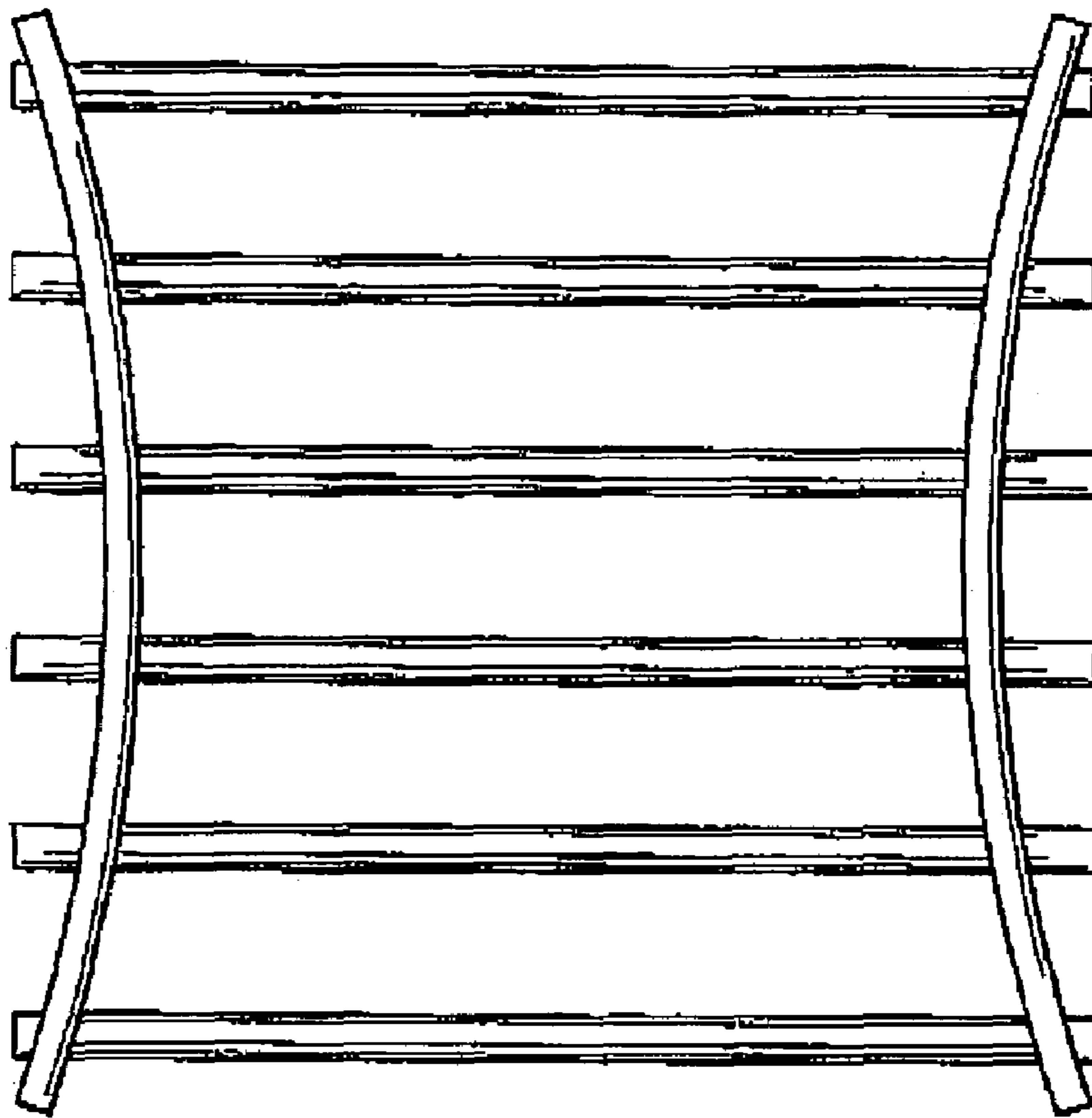


FIG. 5