



US00D573398S

(12) **United States Design Patent**
Puerto

(10) **Patent No.:** **US D573,398 S**

(45) **Date of Patent:** **** Jul. 22, 2008**

(54) **BARBECUE APPARATUS**

(76) Inventor: **Carlos E. Puerto**, 700 NW. 1st St.,
Hallandale, FL (US) 33309

(**) Term: **14 Years**

(21) Appl. No.: **29/281,619**

(22) Filed: **Jun. 27, 2007**

(51) **LOC (8) Cl.** **07-02**

(52) **U.S. Cl.** **D7/335**

(58) **Field of Classification Search** D7/340,
D7/347, 348, 332, 334-337, 339, 323, 402-405;
126/29, 25 R, 25 A, 25 AA, 9 R, 9 B, 37 R,
126/41 R, 40, 33, 369.2, 377.1, 276, 268;
99/450, 481-482; 2/425; D29/106-107
See application file for complete search history.

(56) **References Cited**

U.S. PATENT DOCUMENTS

D312,746 S *	12/1990	Lutter	D7/337
D324,153 S *	2/1992	Wood	D7/402
D325,319 S *	4/1992	Zilber et al.	D7/337
D326,583 S *	6/1992	Lutter et al.	D7/332
D358,527 S *	5/1995	Danielson et al.	D7/332
D397,580 S *	9/1998	Dunn et al.	D7/402
D467,119 S *	12/2002	McGargill	D7/332
D481,255 S *	10/2003	Mak	D7/332

D516,365 S *	3/2006	Baris et al.	D7/332
D537,669 S *	3/2007	Loving	D7/332
D559,612 S *	1/2008	Yount	D7/334

* cited by examiner

Primary Examiner—Ruth McInroy

(74) *Attorney, Agent, or Firm*—Albert Bordas, P.A.

(57) **CLAIM**

The ornamental design for a barbecue apparatus, as shown and described.

DESCRIPTION

FIG. 1 is a top plan view of a barbecue apparatus;

FIG. 2 is a right elevational view thereof;

FIG. 3 is a bottom elevational view thereof;

FIG. 4 is a front elevational view thereof;

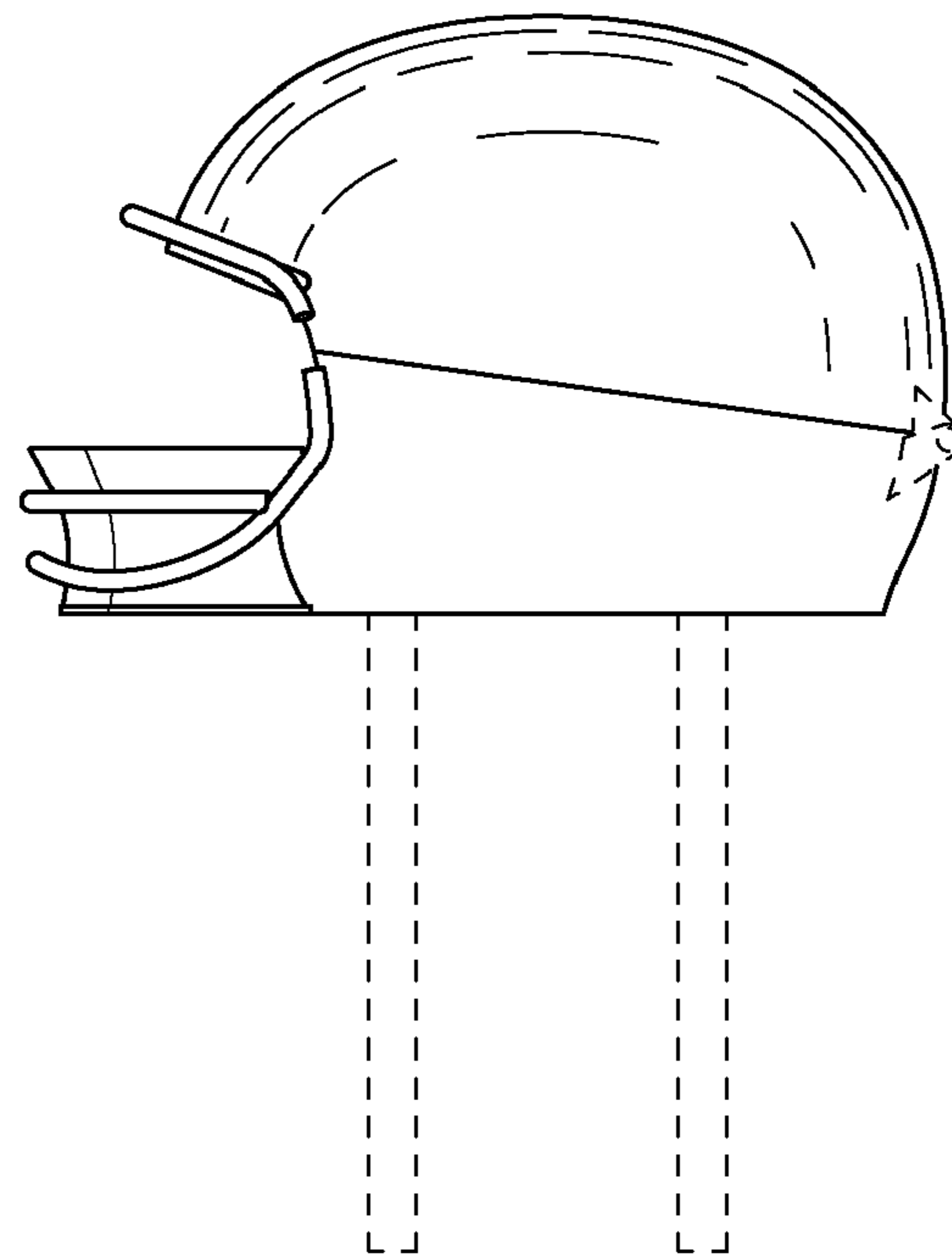
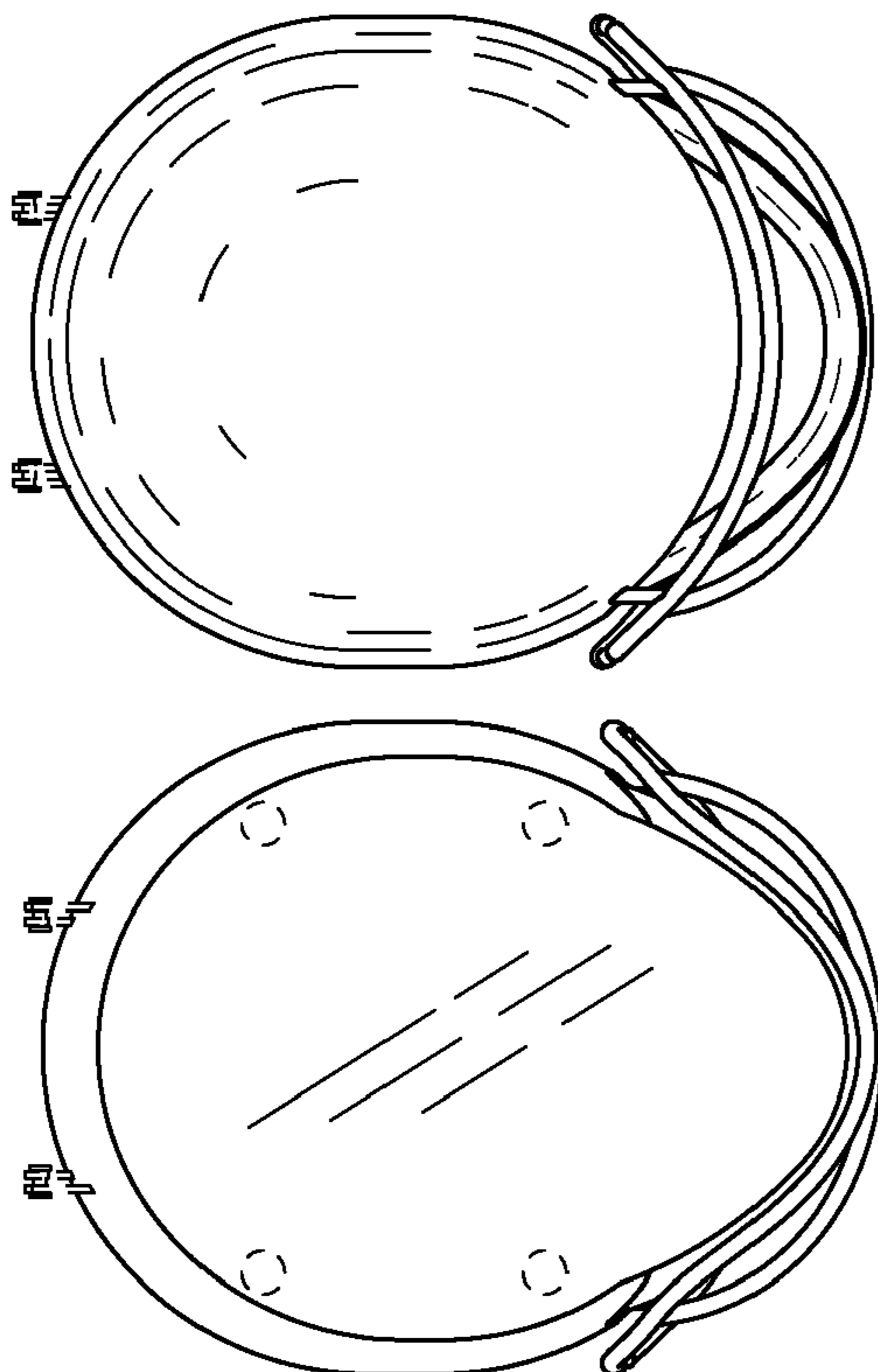
FIG. 5 a left elevational view thereof;

FIG. 6 a rear elevational view thereof; and,

FIG. 7 is an isometric view thereof, showing my design.

The broken lines are for environmental purposes only and form no part of the claimed design. The design shown is not to be limited to any particular size and may be scaled larger or smaller.

1 Claim, 3 Drawing Sheets



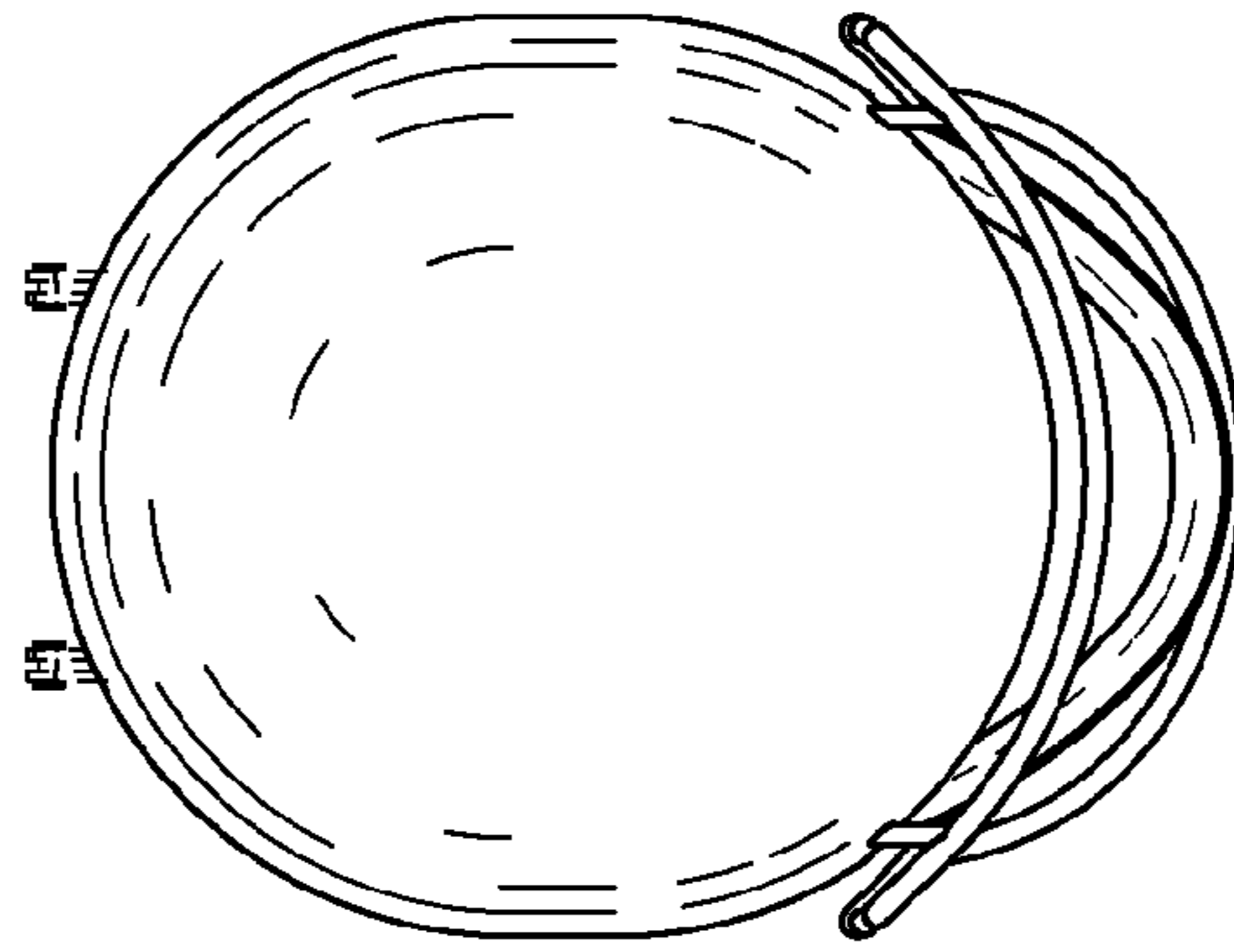


Fig. 1

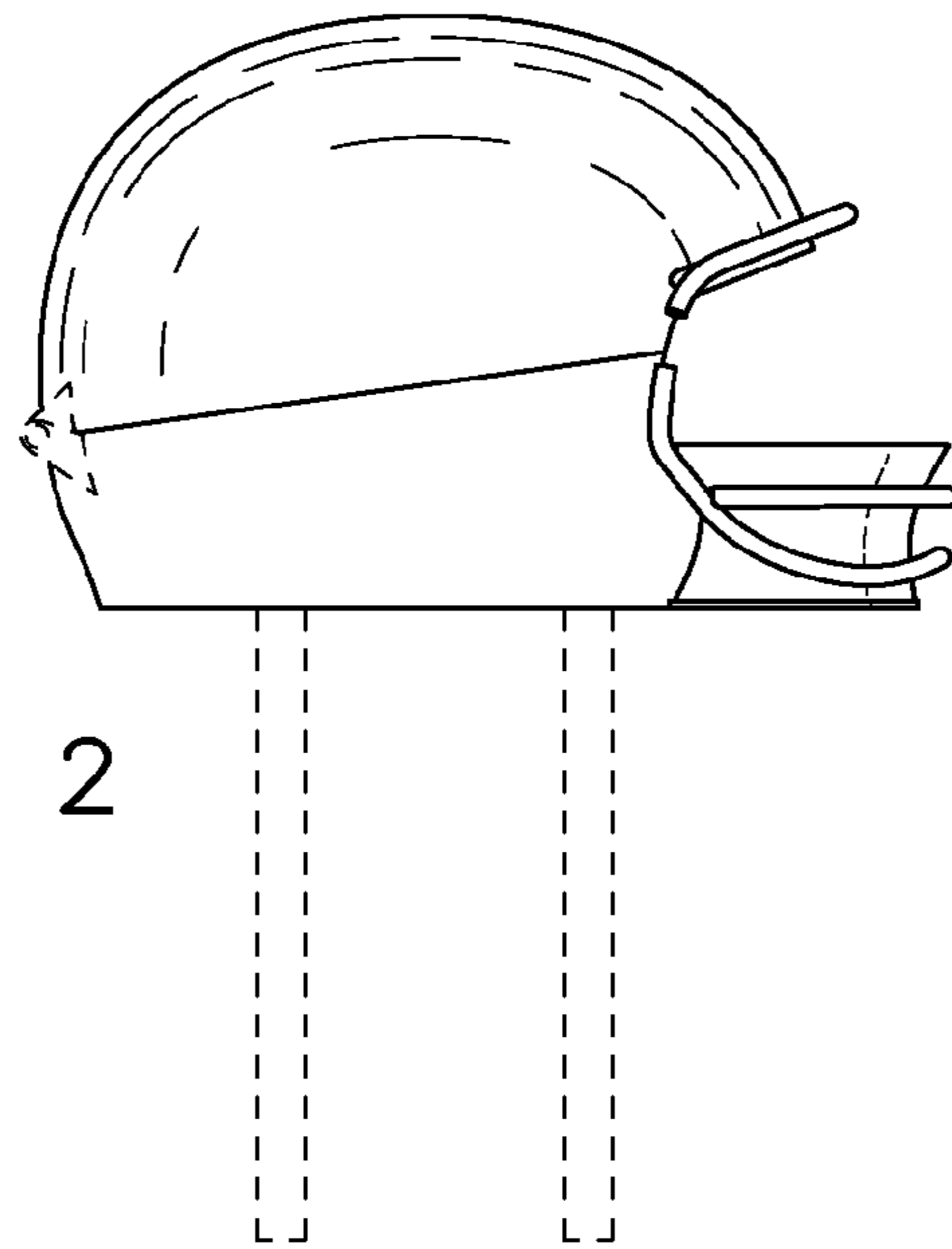


Fig. 2

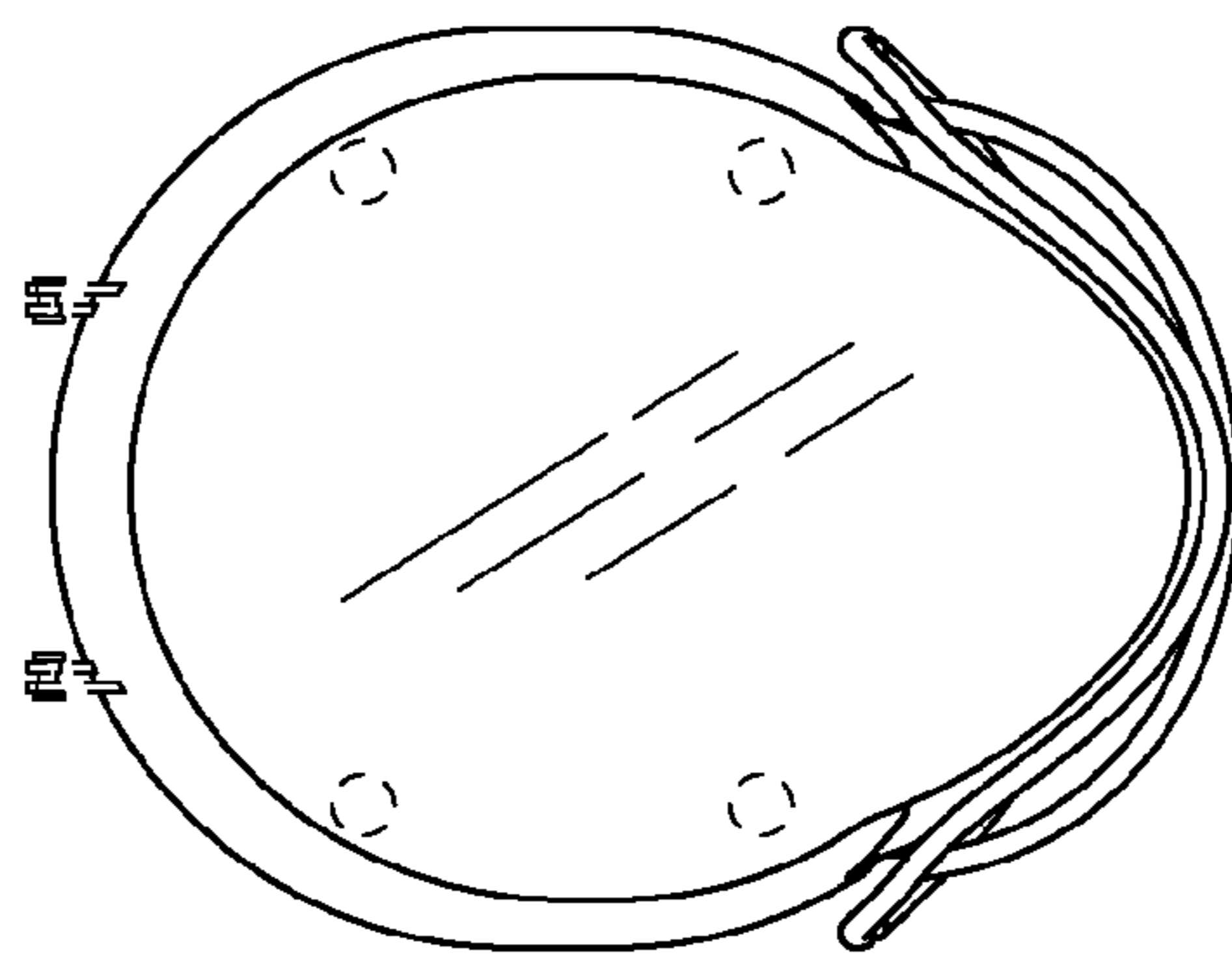


Fig. 3

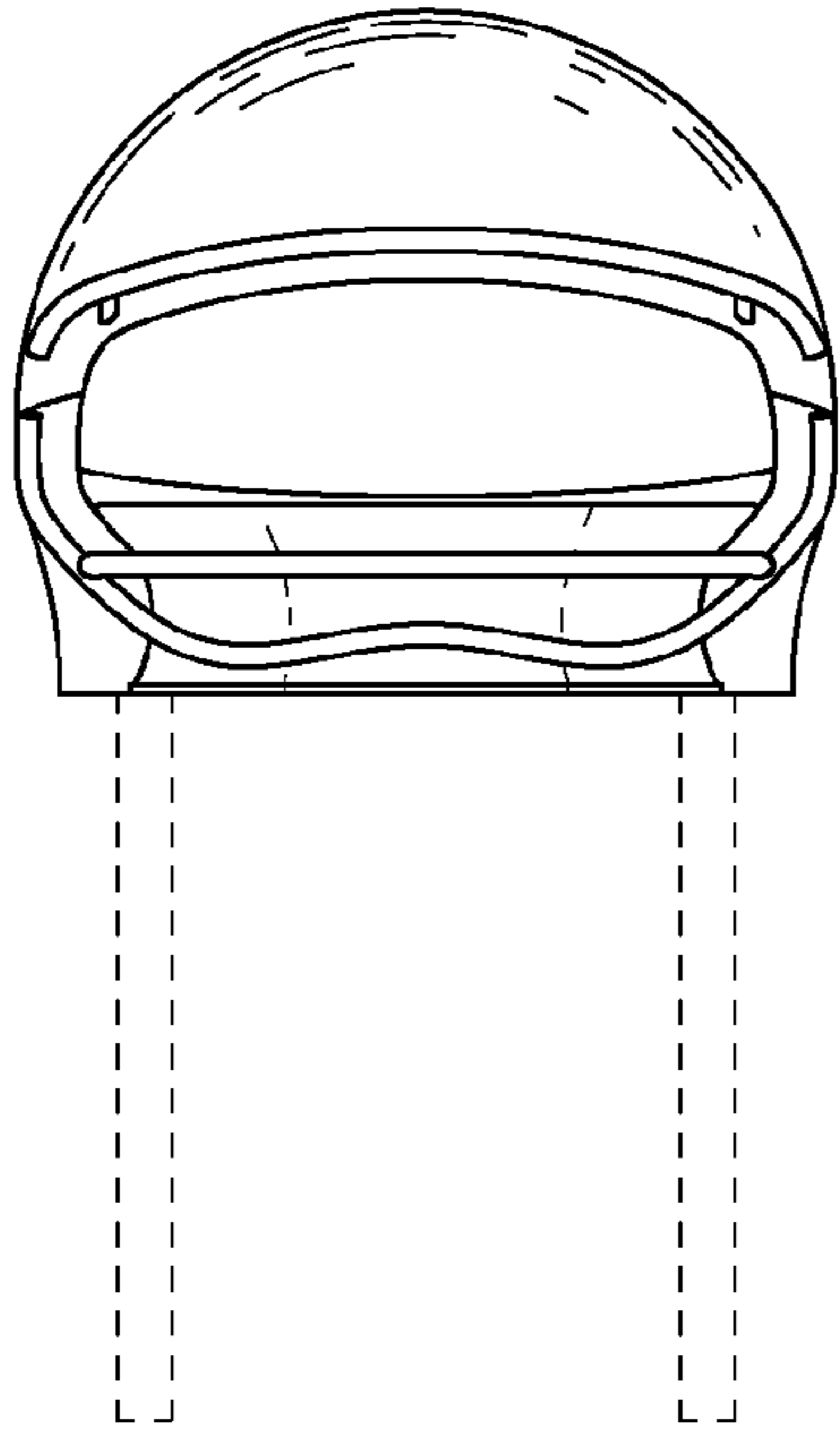


Fig. 4

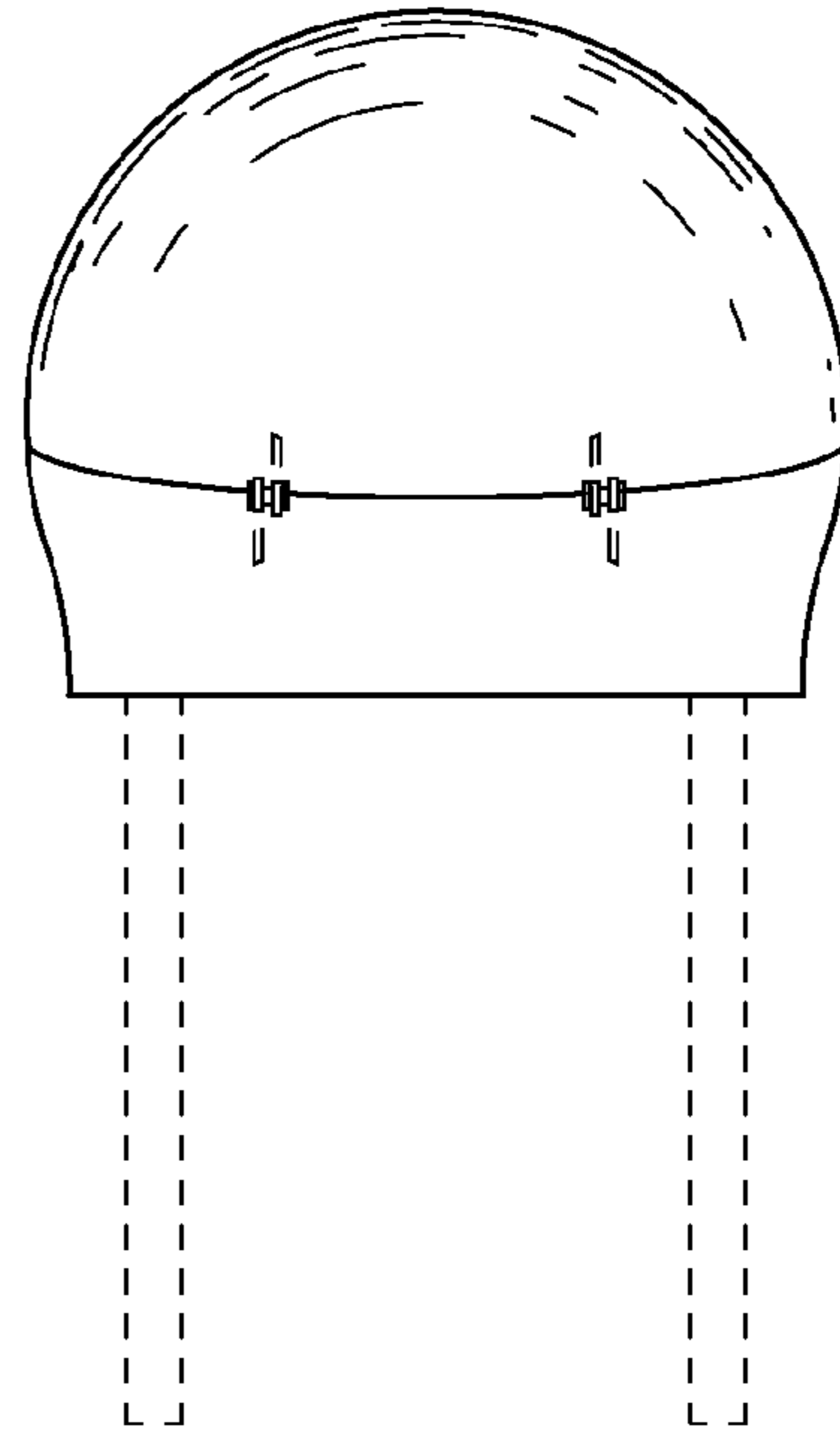


Fig. 6

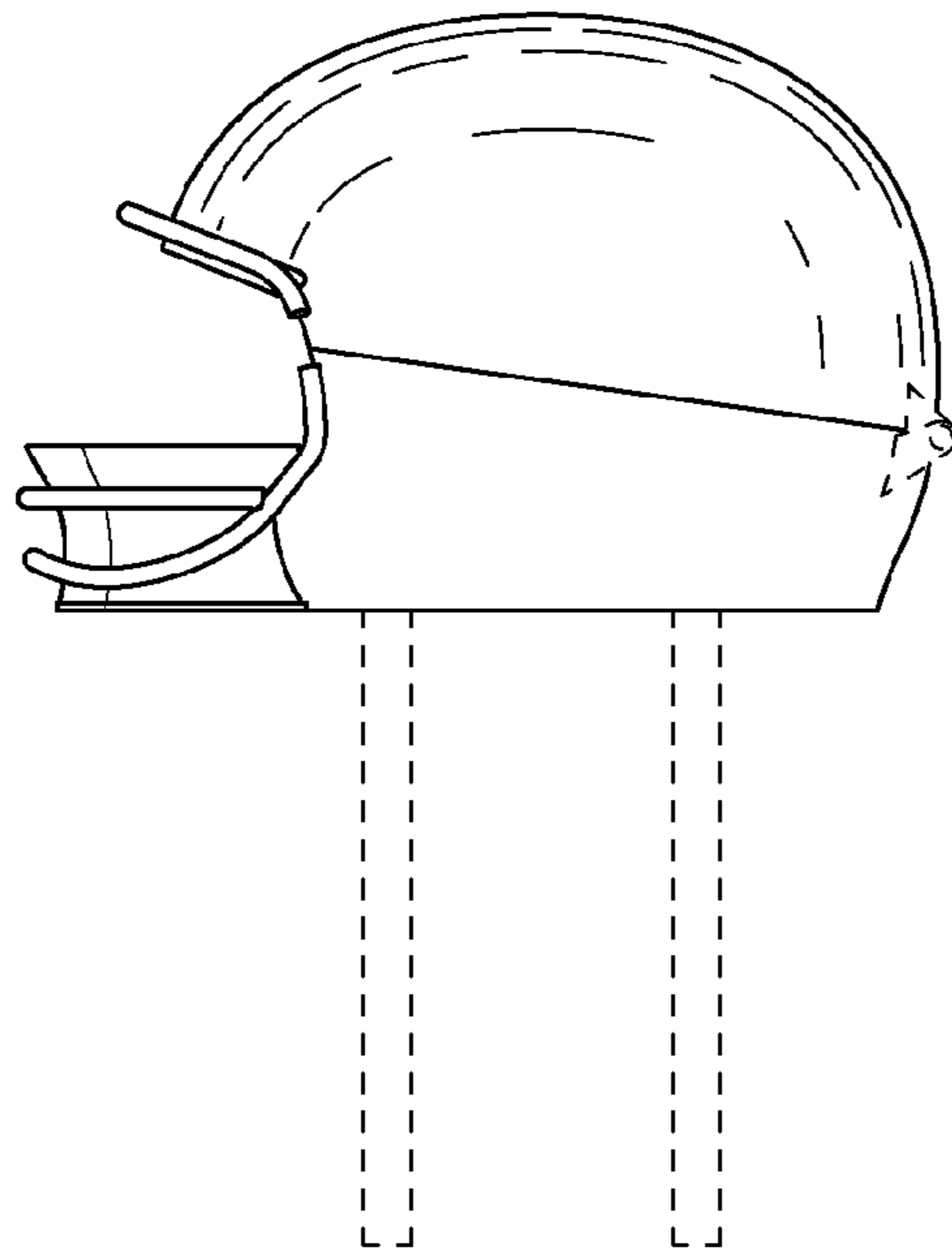


Fig. 5

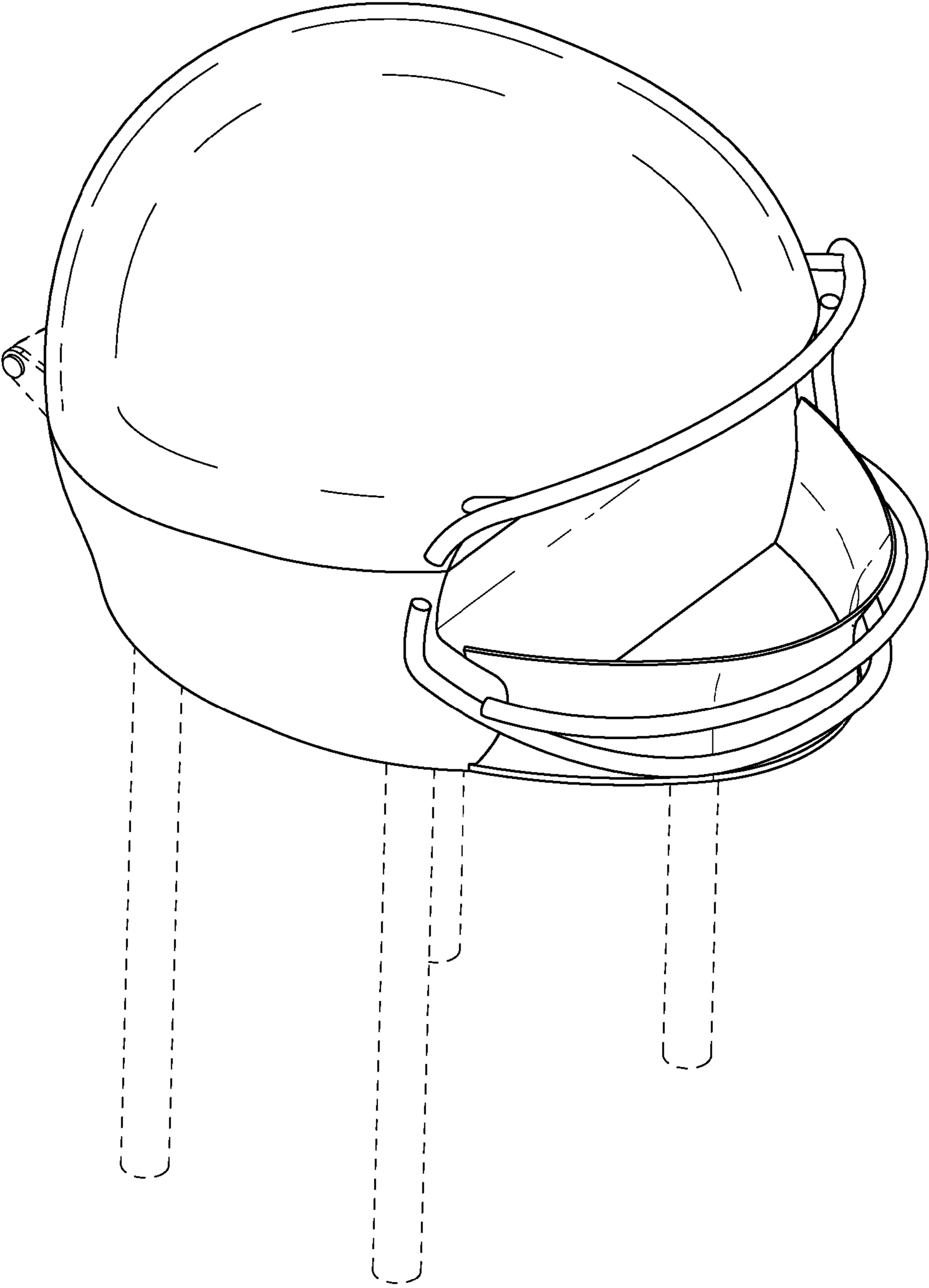


Fig. 7