



US00D573397S

(12) **United States Design Patent**
Smaldone

(10) **Patent No.:** **US D573,397 S**
(45) **Date of Patent:** **** Jul. 22, 2008**

- (54) **ROUND ERGONOMIC TEA KETTLE WITH CONTOURED GRIP**
- (75) Inventor: **Alfonso Smaldone**, Brooklyn, NY (US)
- (73) Assignee: **Alfay Designs, Inc.**, Brooklyn, NY (US)
- (**) Term: **14 Years**
- (21) Appl. No.: **29/263,753**
- (22) Filed: **Jul. 28, 2006**
- (51) **LOC (8) Cl.** **07-01**
- (52) **U.S. Cl.** **D7/322; D7/321**
- (58) **Field of Classification Search** D7/312,
D7/320-322, 300; 99/317, 323; 222/471,
222/472, 469

D501,752 S	2/2005	Smaldone	
D502,356 S	3/2005	Smaldone	
D502,838 S *	3/2005	Ancona D7/321
D504,273 S *	4/2005	Ancona D7/322
D511,648 S	11/2005	Henderson	
D525,071 S *	7/2006	Lebowitz D7/321
D528,345 S *	9/2006	Smaldone D7/322
D529,328 S *	10/2006	Schmidt et al. D7/322
D541,100 S *	4/2007	Lebowitz D7/322
D541,577 S *	5/2007	Kim D7/340

See application file for complete search history.

FOREIGN PATENT DOCUMENTS

DE	197 40 826 A1	3/1999
JP	3-195517	8/1992

OTHER PUBLICATIONS

Oxo International, "Random Red Uplift Tea Kettle" http://www.oxo.com/catalog/product_info.php?products_id=157, 2 pages printed from the Internet Dec. 13, 2004.
http://cookware.com.ru/browse_teakettles/page_44.html 5 pages, printed from the Internet Nov. 1, 2005.
 Farberware Millenium, Whistling Tea Kettle Advertisement, 2006, 1 page.

* cited by examiner

Primary Examiner—Marianne Pandozzi

(74) *Attorney, Agent, or Firm*—Steven Horowitz

(56) **References Cited**

U.S. PATENT DOCUMENTS

D95,621 S	5/1935	Zettler	
D115,928 S	8/1939	Kircher	
D127,453 S	5/1941	Keller	
D282,436 S	2/1986	Thurlow	
D308,315 S	6/1990	Ancona et al.	
5,135,128 A	8/1992	Kuhn	
D336,006 S	6/1993	Lebowitz	
D342,640 S	12/1993	Lebowitz	
5,339,978 A	8/1994	Coppier	
D360,101 S	7/1995	Lee	
D364,991 S	12/1995	Lee	
5,490,616 A	2/1996	Stowell	
D380,337 S	7/1997	Lien	
D381,859 S	8/1997	Joergensen	
D390,744 S	2/1998	Otero	
D396,988 S *	8/1998	Lien D7/322
D407,943 S *	4/1999	Chen D7/322
D416,431 S	11/1999	Weiss et al.	
6,006,959 A	12/1999	Naden et al.	
D428,758 S *	8/2000	Santiago et al. D7/322
D442,015 S	5/2001	Doret	
D448,963 S	10/2001	Shim	
D459,937 S	7/2002	Thurlow	
6,540,120 B2	4/2003	Lebowitz	
D478,243 S *	8/2003	Lebowitz D7/322
D478,768 S	8/2003	Belton	
D483,600 S	12/2003	Thurlow et al.	
D490,641 S	6/2004	Lebowitz	

CLAIM

The ornamental design for a round ergonomic tea kettle with contoured grip, as shown and described.

DESCRIPTION

FIG. 1 is a front view of the round ergonomic tea kettle with contoured grip, of the present invention showing my new design;

FIG. 2 is a rear view thereof;

FIG. 3 is a right side view thereof;

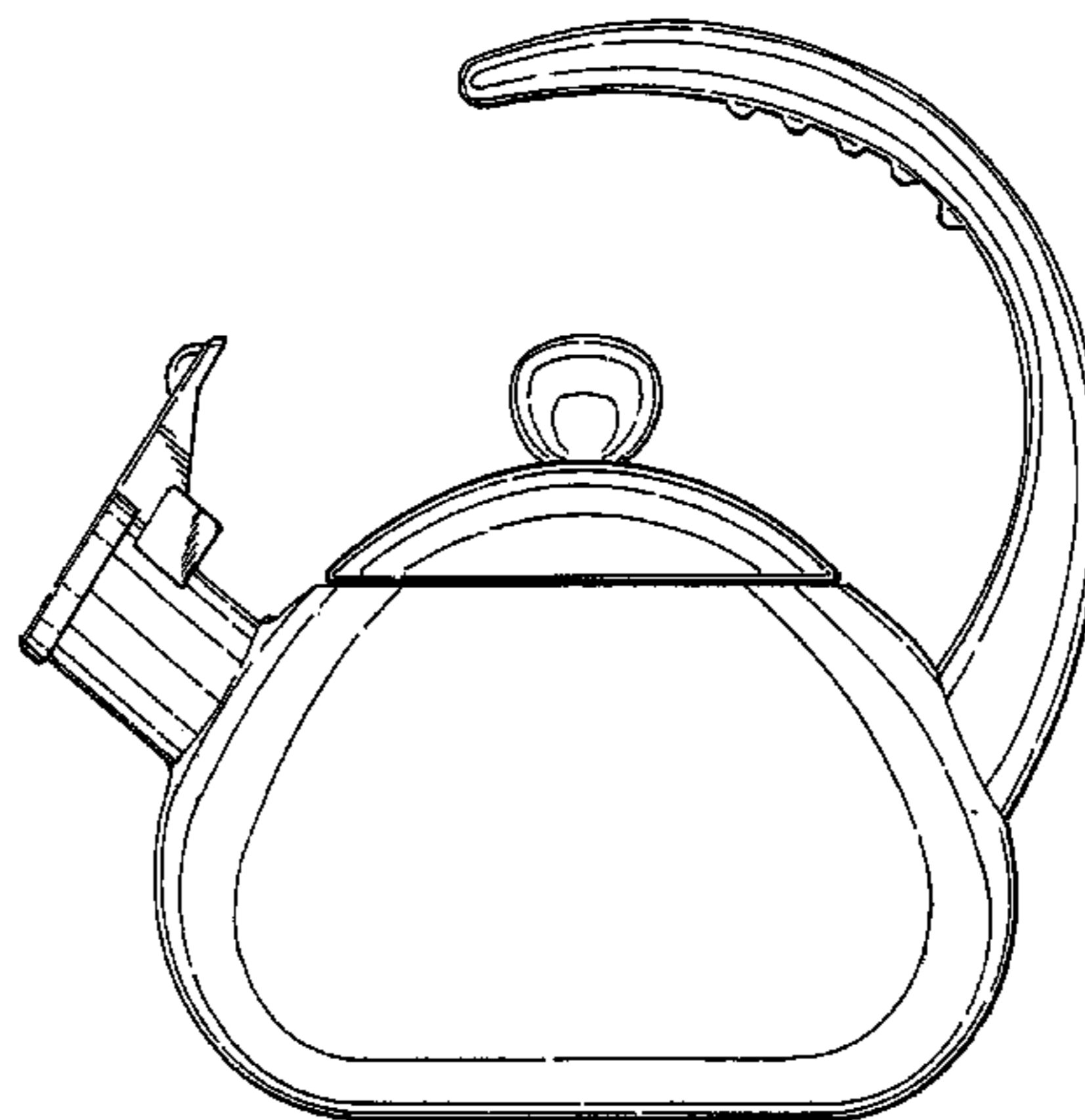
FIG. 4 is a left side view thereof;

FIG. 5 is a top view thereof;

FIG. 6 is a bottom view thereof; and,

FIG. 7 is a perspective view thereof.

1 Claim, 5 Drawing Sheets



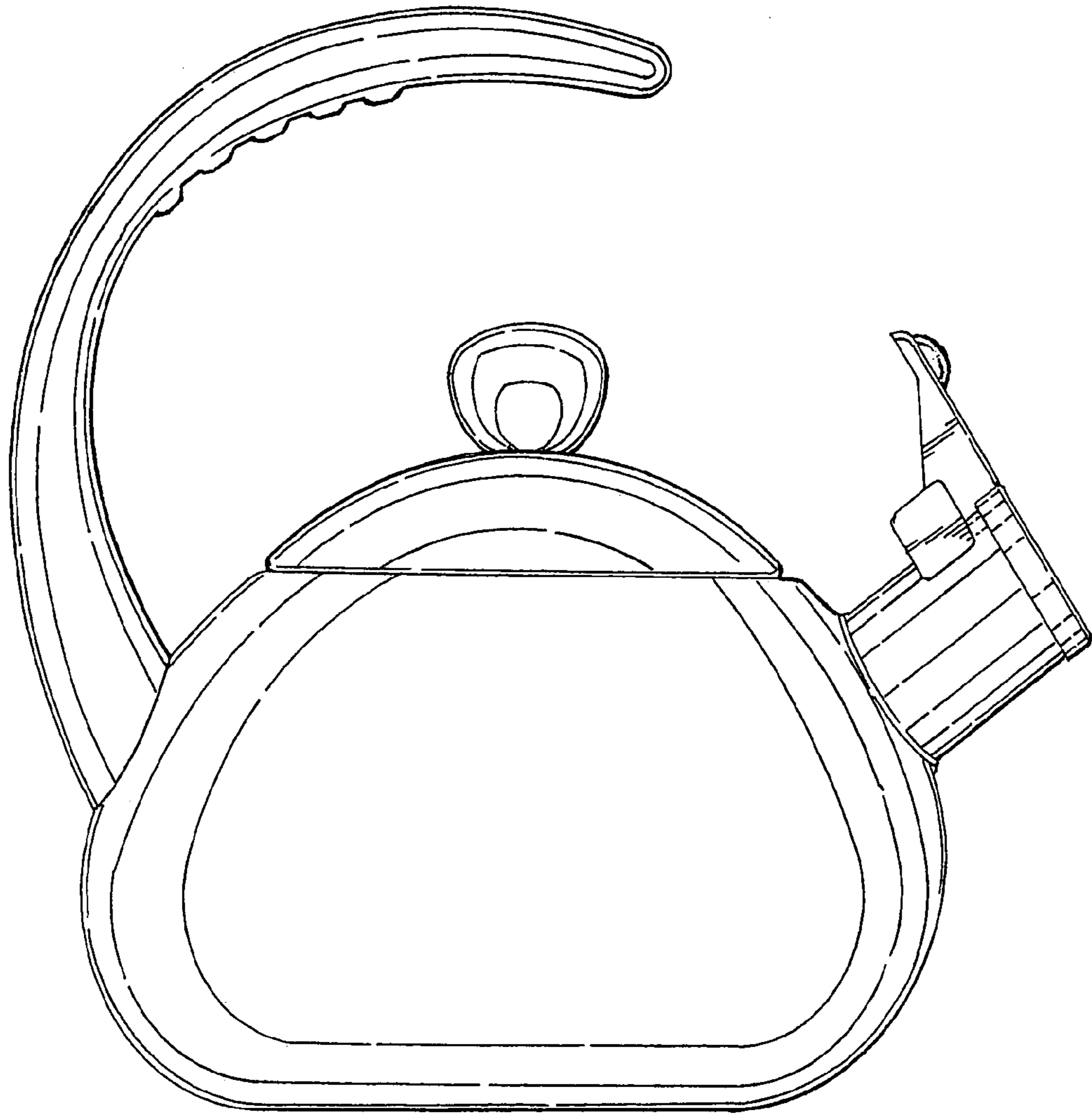


FIG. 1

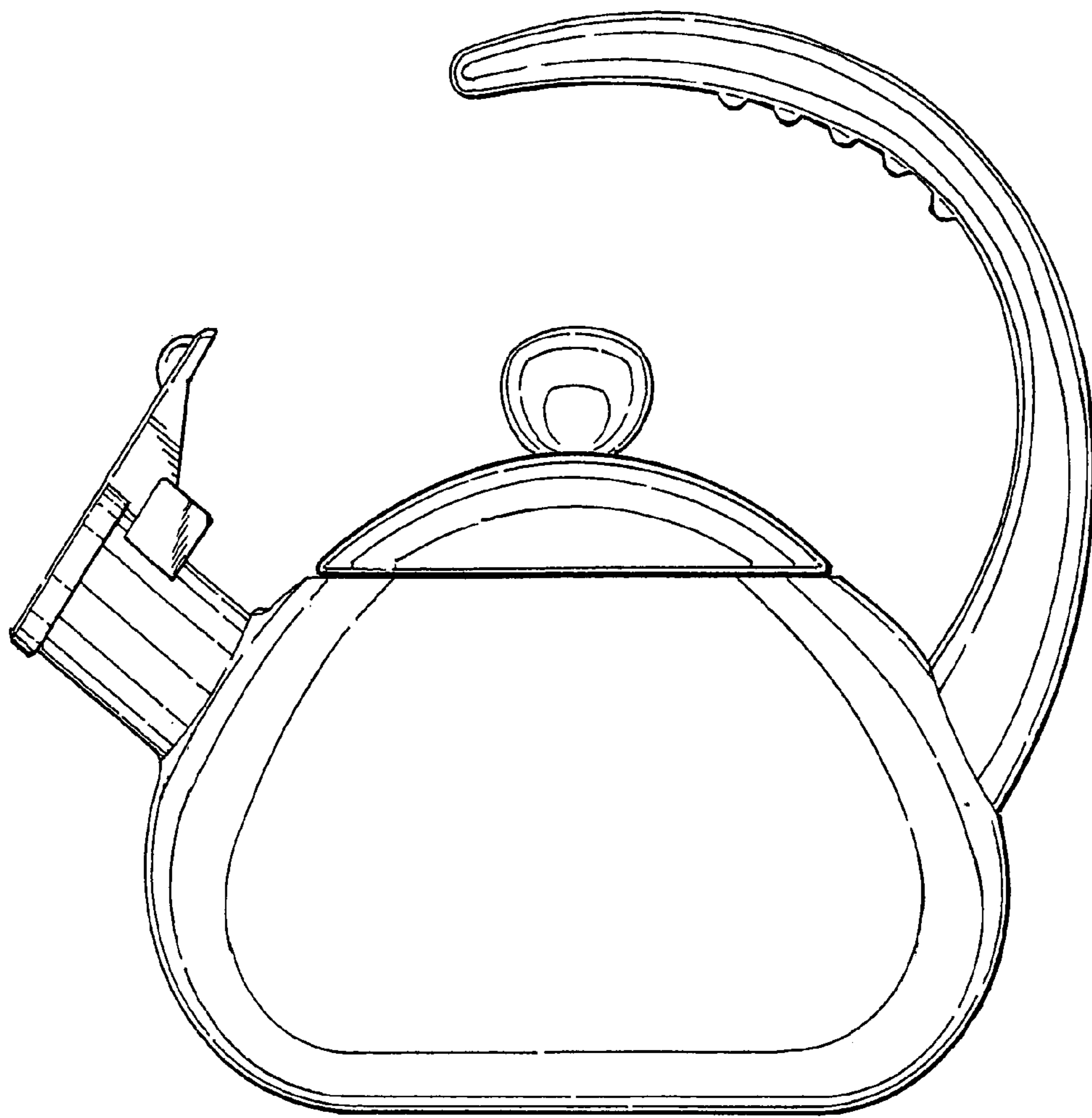


FIG. 2

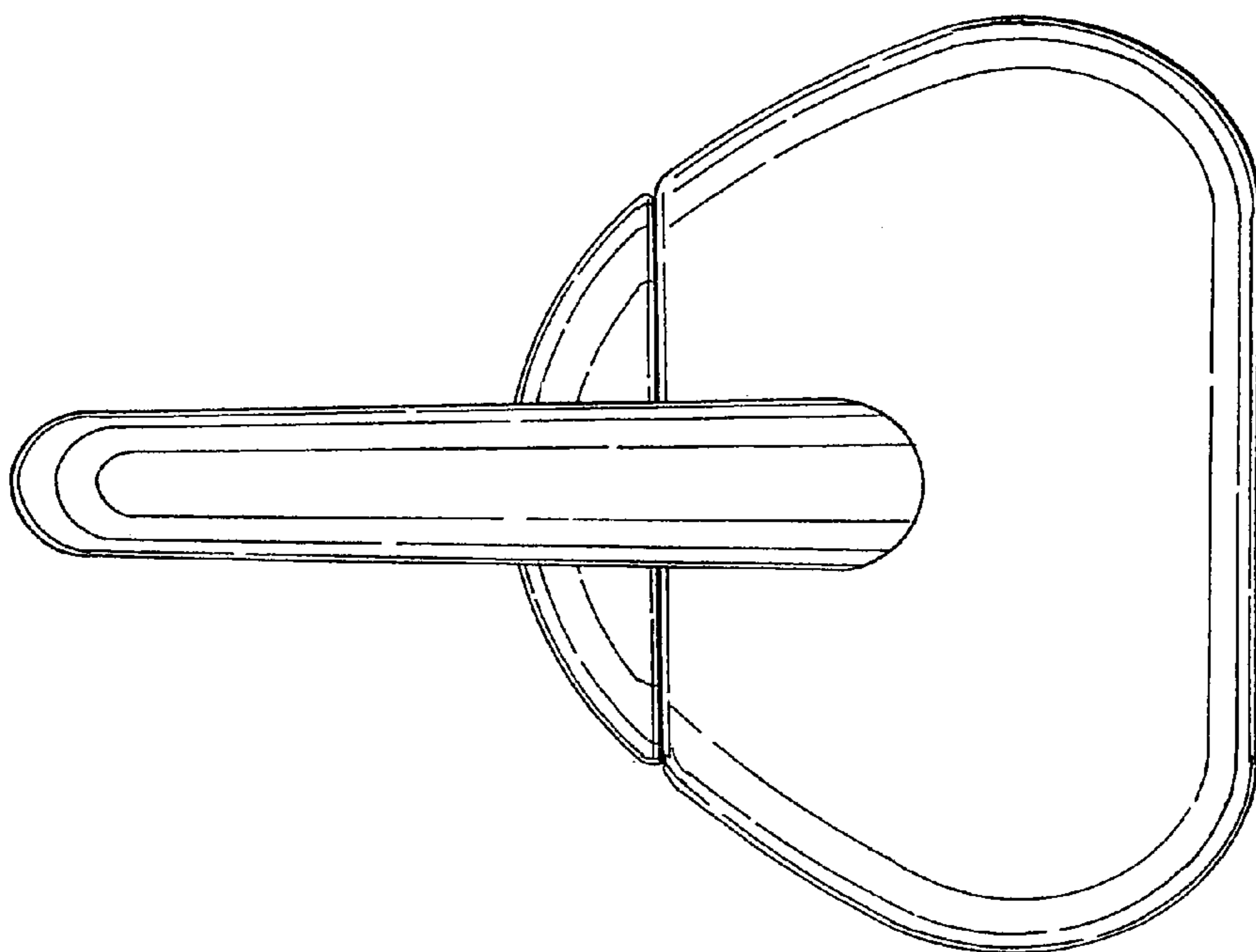


FIG. 4

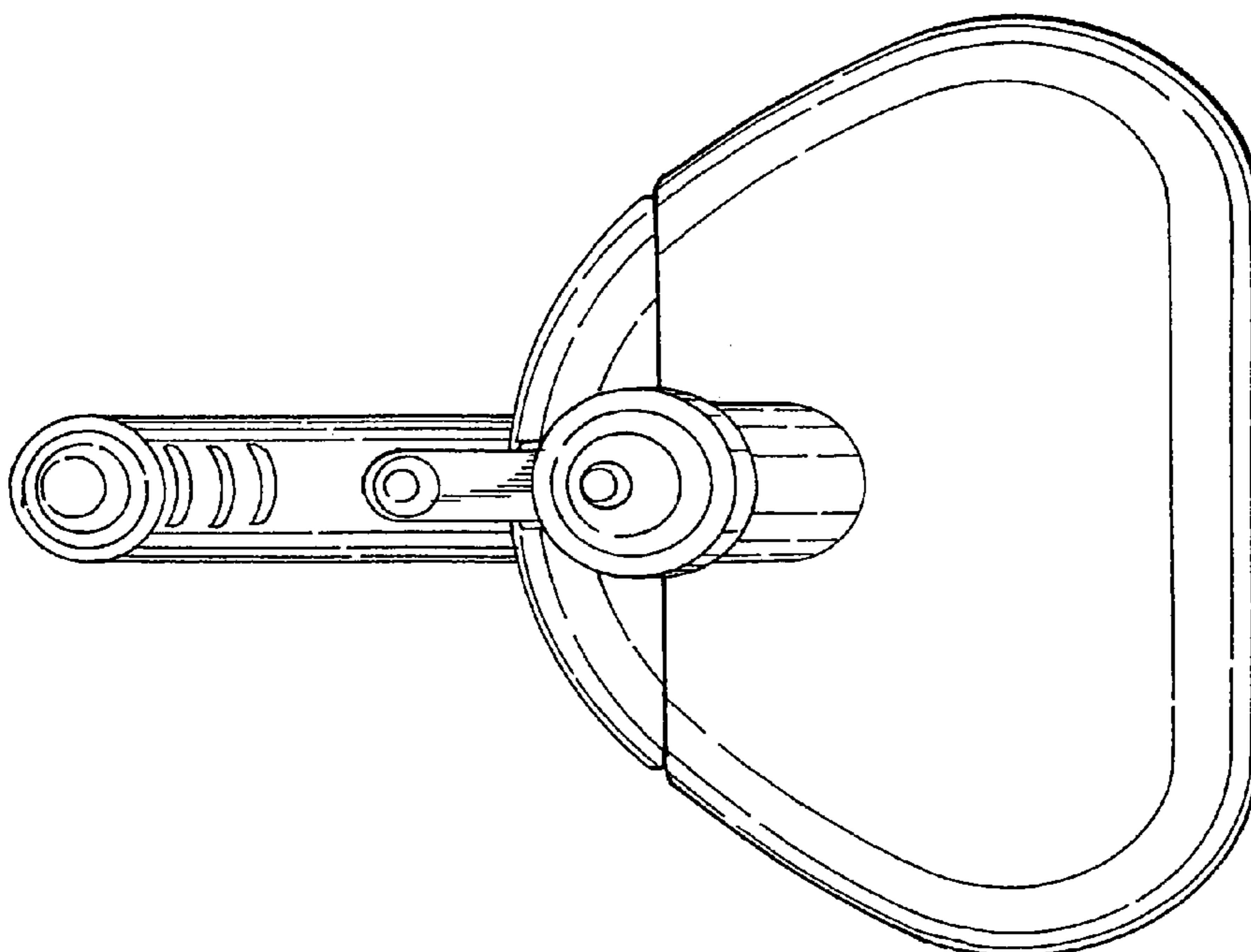


FIG. 3

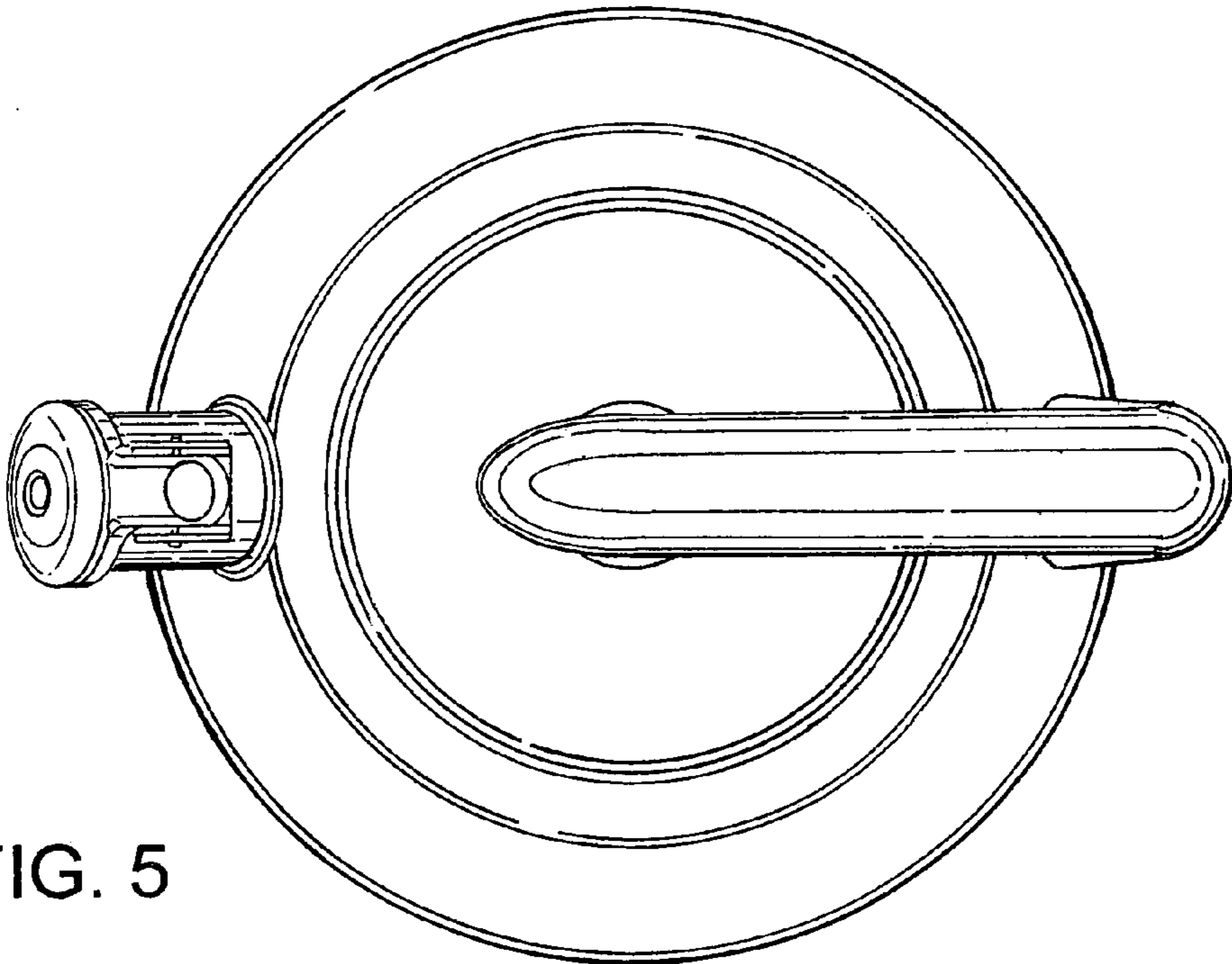


FIG. 5

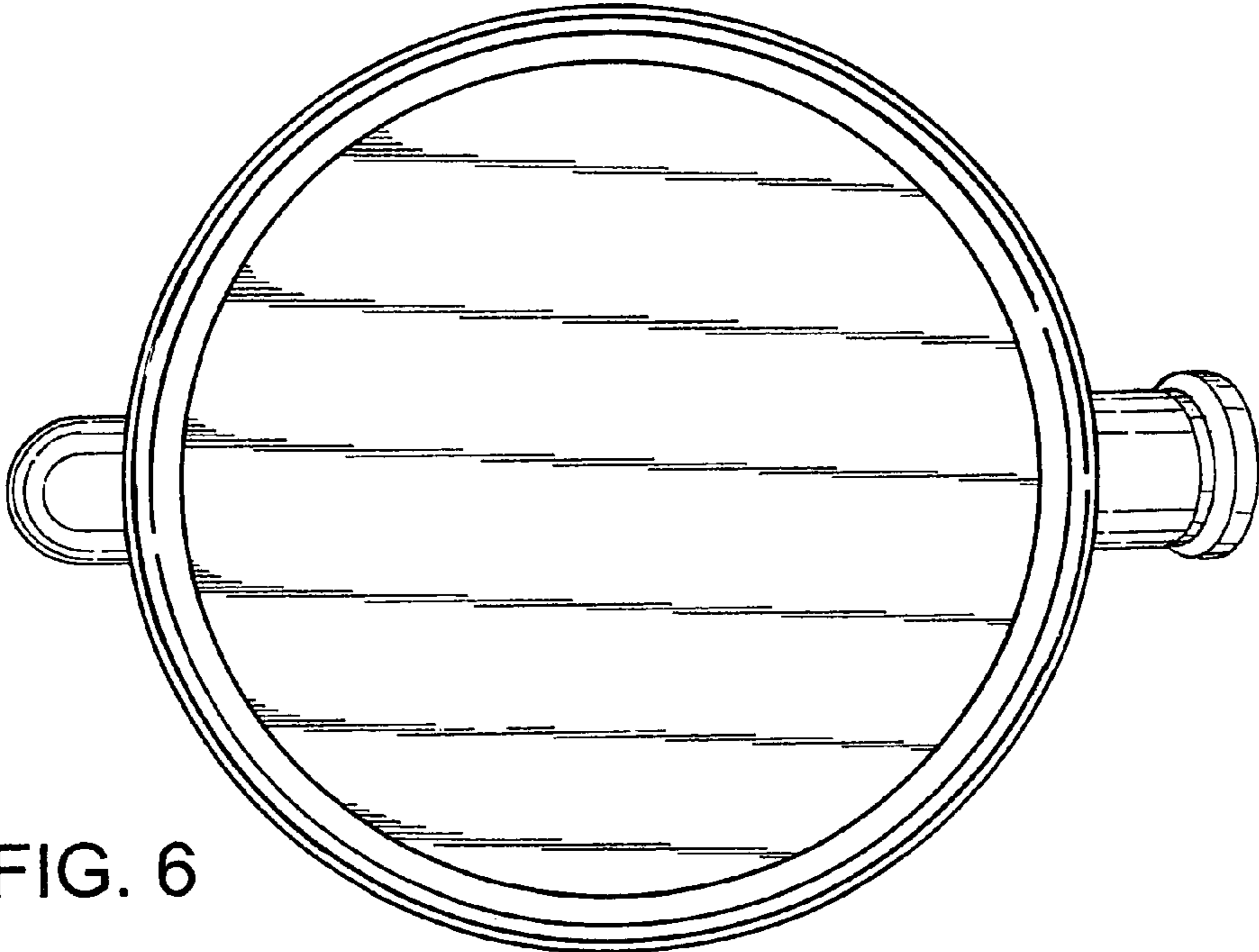


FIG. 6

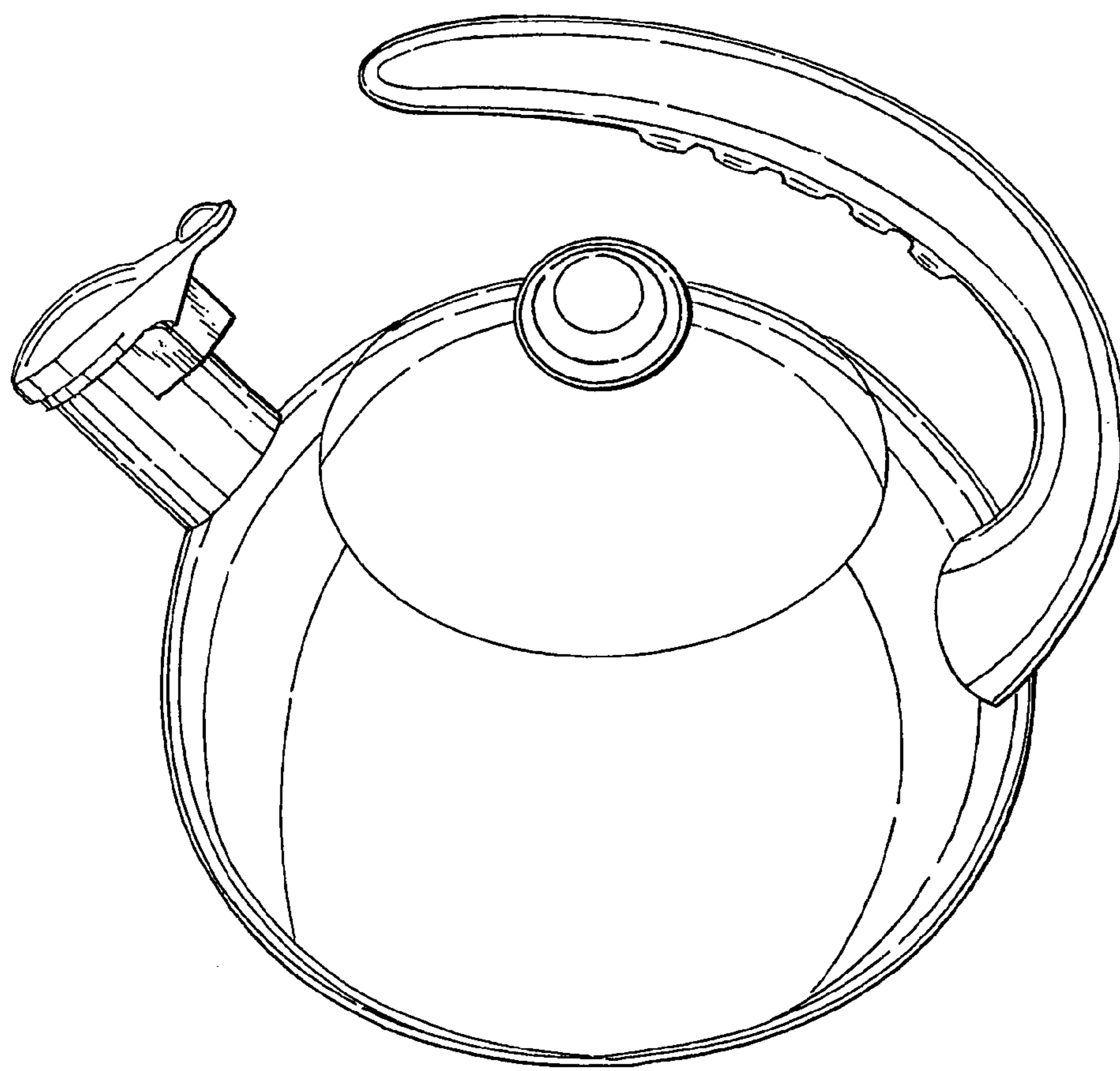


FIG. 7