

US00D573396S

(12) **United States Design Patent**
Gauss

(10) **Patent No.:** **US D573,396 S**

(45) **Date of Patent:** **** Jul. 22, 2008**

(54) **COFFEE PRESS**

(75) Inventor: **Kurt Gauss**, Spokane, WA (US)

(73) Assignee: **GSI Outdoors, Inc.**, Spokane, WA (US)

(**) Term: **14 Years**

(21) Appl. No.: **29/285,817**

(22) Filed: **Apr. 12, 2007**

(51) **LOC (8) Cl.** **07-01**

(52) **U.S. Cl.** **D7/319; D7/317**

(58) **Field of Classification Search** D7/300,
D7/316-319, 312, 321, 600; 99/297, 319;
215/398; 222/146.1

See application file for complete search history.

(56) **References Cited**

U.S. PATENT DOCUMENTS

2,562,433	A *	7/1951	Moore	99/319
3,307,474	A *	3/1967	Kasher	99/287
D236,179	S *	8/1975	Greger	D7/317
3,927,608	A *	12/1975	Doyel	99/297
4,596,337	A *	6/1986	Gerold et al.	215/398
5,461,968	A *	10/1995	Portman	99/287
D386,040	S *	11/1997	Joergensen	D7/317
D441,248	S *	5/2001	Brady	D7/319
D448,603	S *	10/2001	Yeh	D7/319

D449,957	S *	11/2001	Yeh	D7/319
D500,626	S *	1/2005	Ranzoni	D7/317
D511,644	S *	11/2005	Dilollo et al.	D7/392
D542,078	S *	5/2007	Bodum	D7/319
D557,978	S *	12/2007	Bodum	D7/399
D559,028	S *	1/2008	Appleton	D7/317
D559,030	S *	1/2008	Bodum	D7/319
D563,713	S *	3/2008	Bodum	D7/319

* cited by examiner

Primary Examiner—Marianne Pandozzi

(74) *Attorney, Agent, or Firm*—Bergman & Jeckle, PLLC

(57) **CLAIM**

The ornamental design for a coffee press, as shown.

DESCRIPTION

FIG. 1 is an isometric front and left side view of the coffee press showing my design;

FIG. 2 is a left side view thereof.

FIG. 3 is a back view thereof;

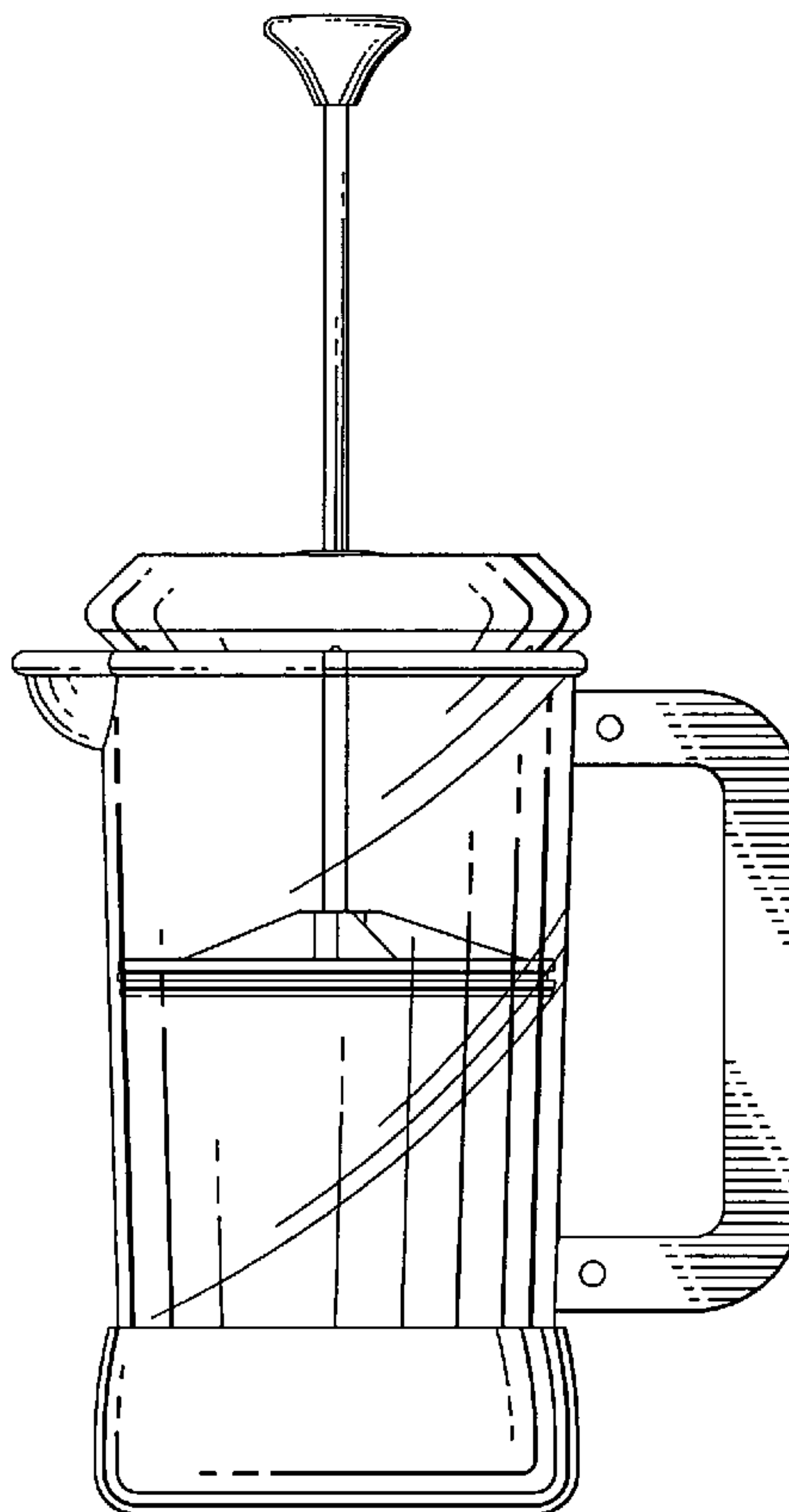
FIG. 4 is a right side view thereof;

FIG. 5 is a front view thereof;

FIG. 6 is a top view thereof; and,

FIG. 7 is a bottom view thereof.

1 Claim, 2 Drawing Sheets



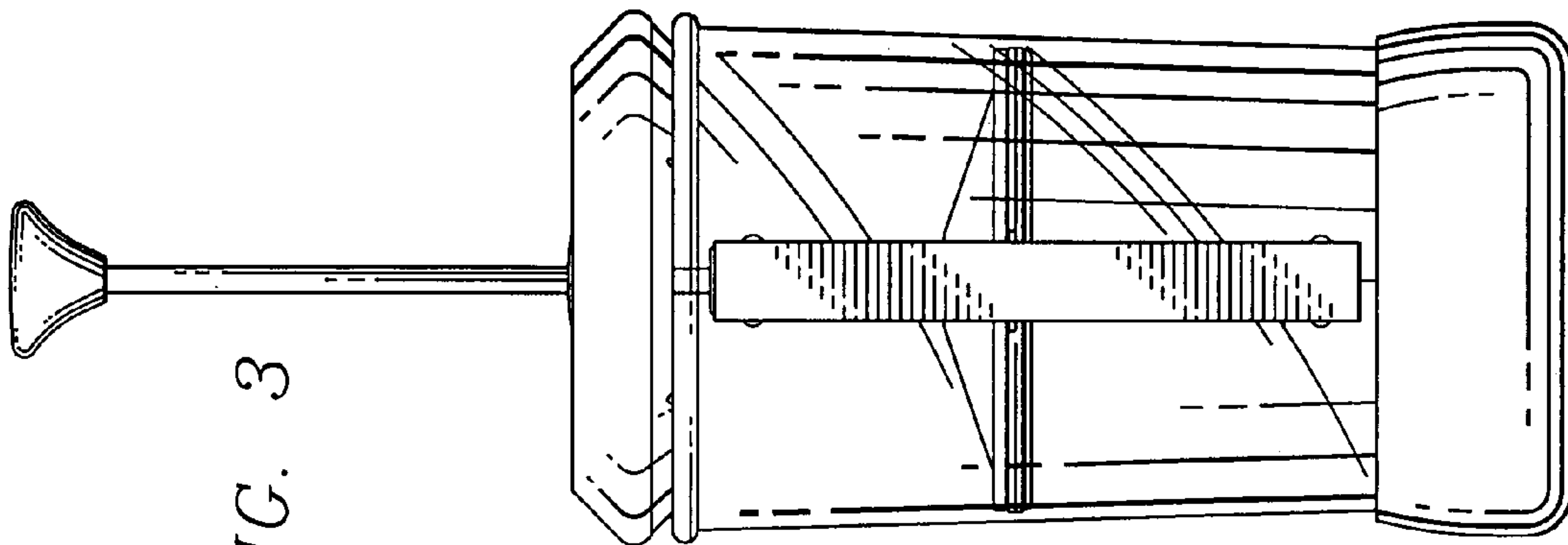


FIG. 3

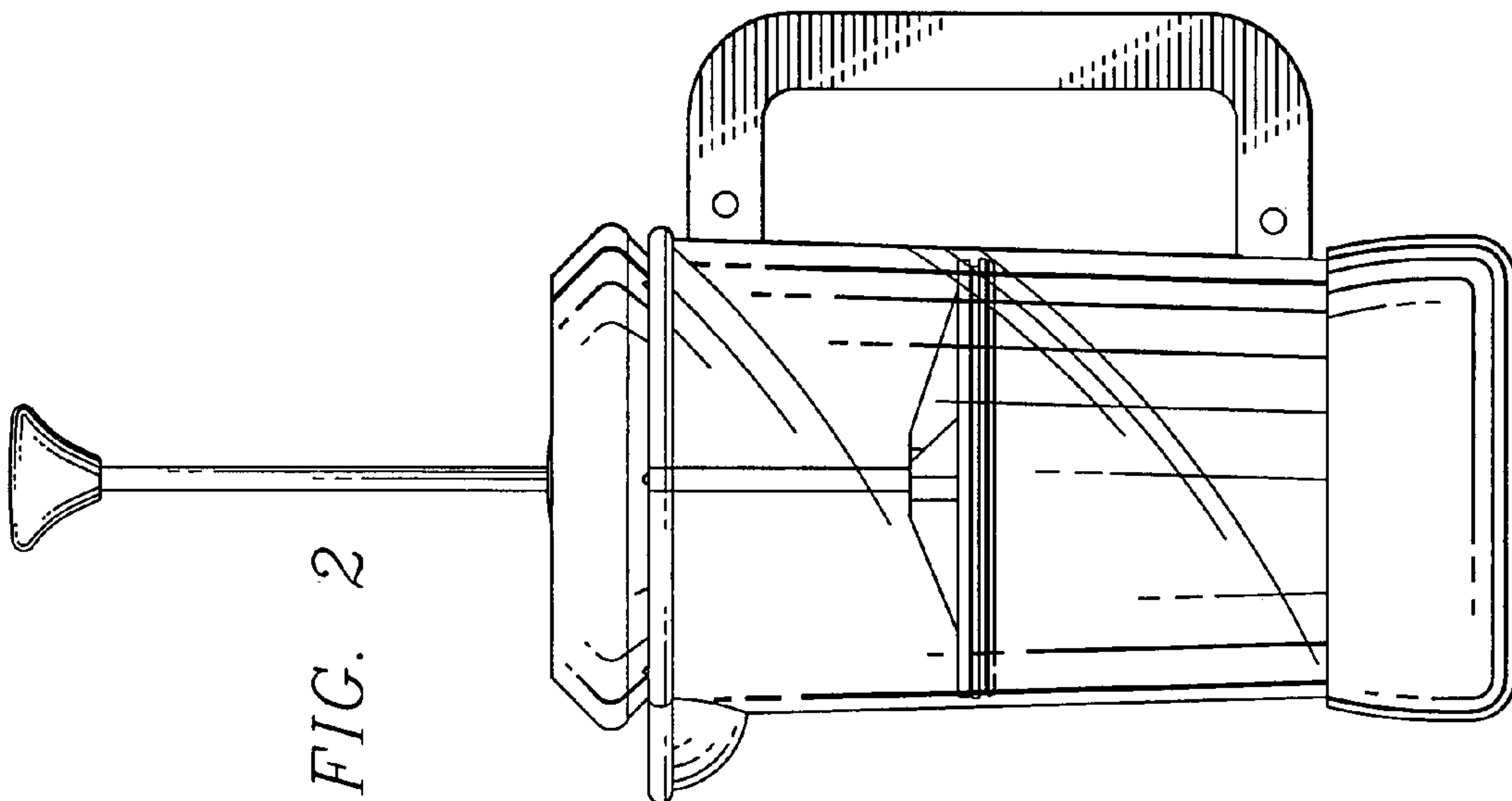


FIG. 2

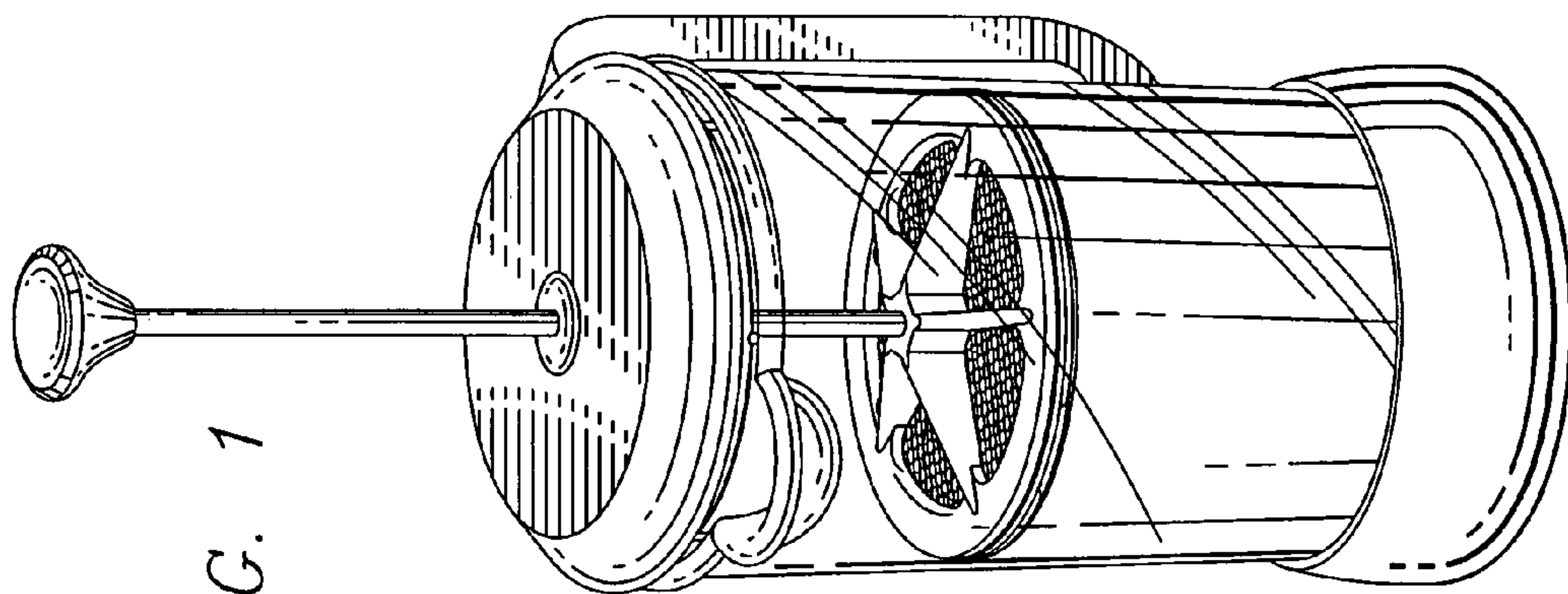


FIG. 1

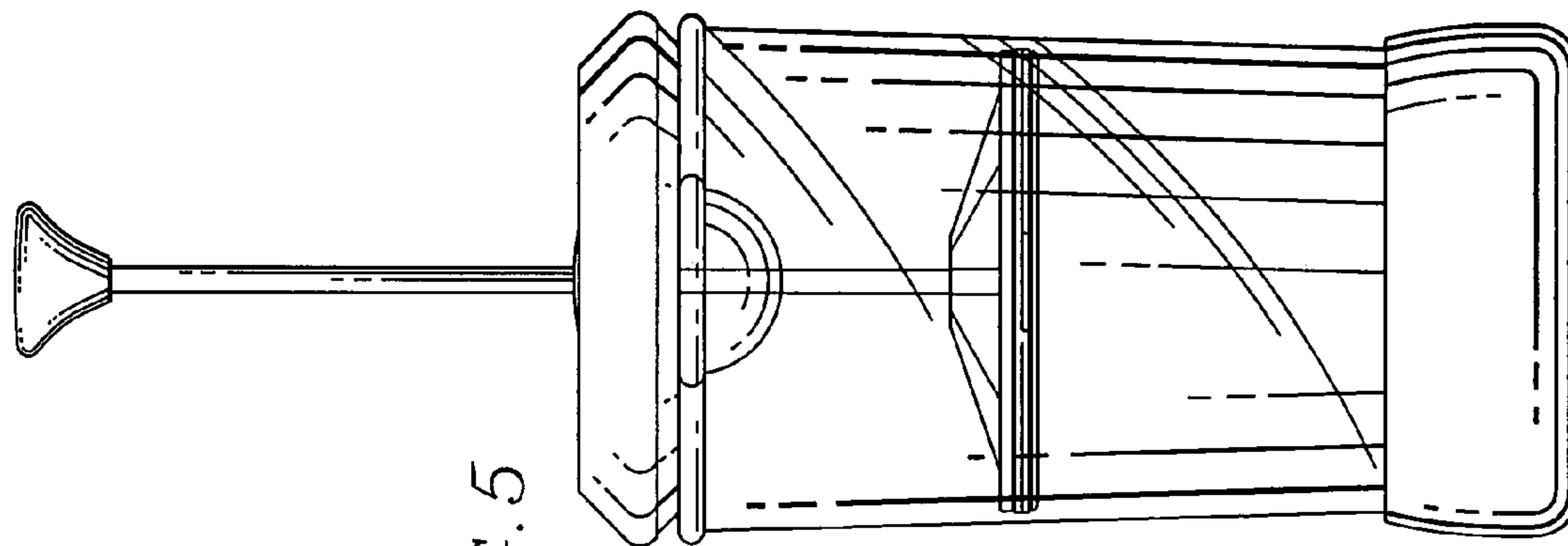


FIG. 5

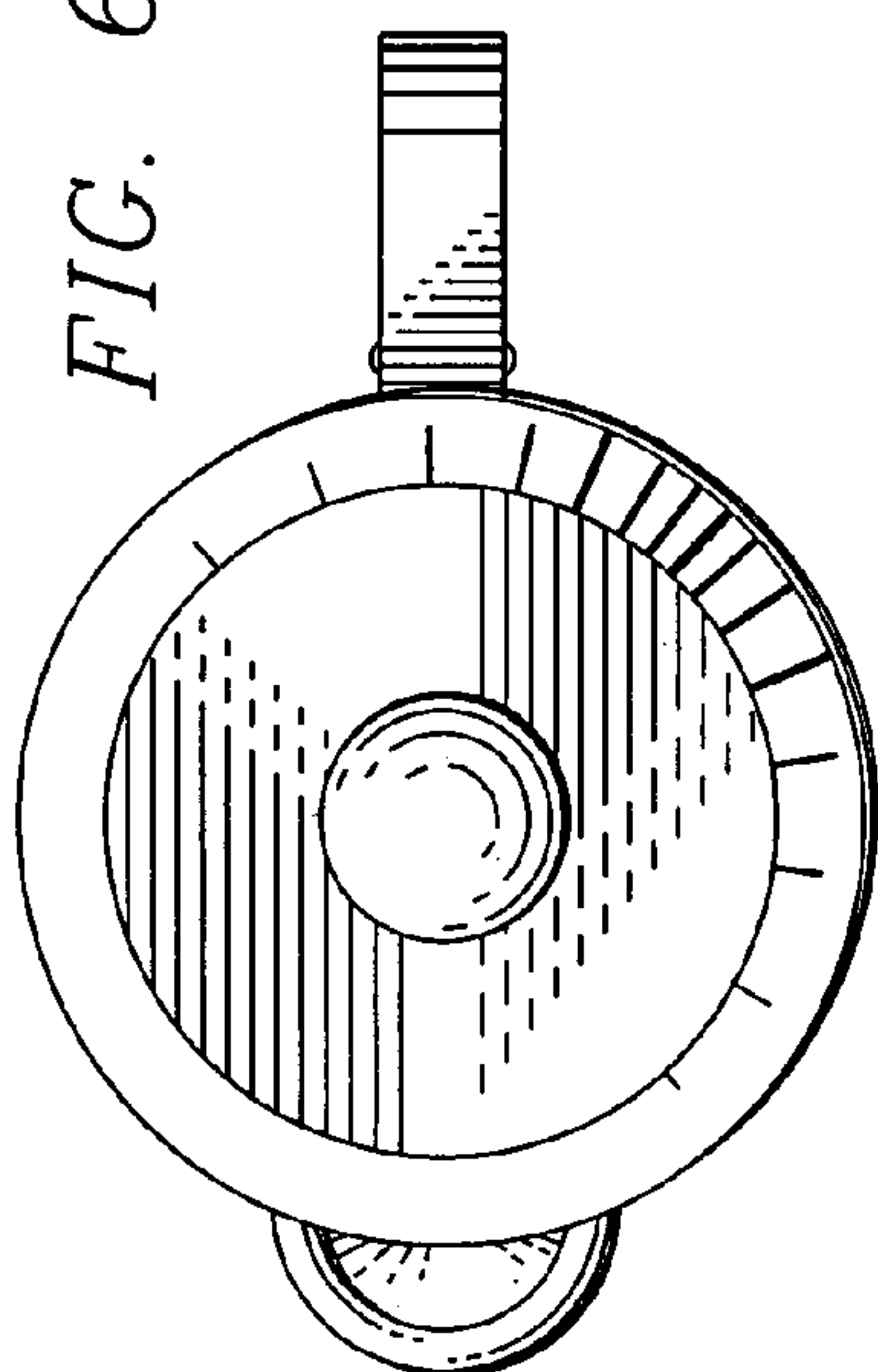


FIG. 6

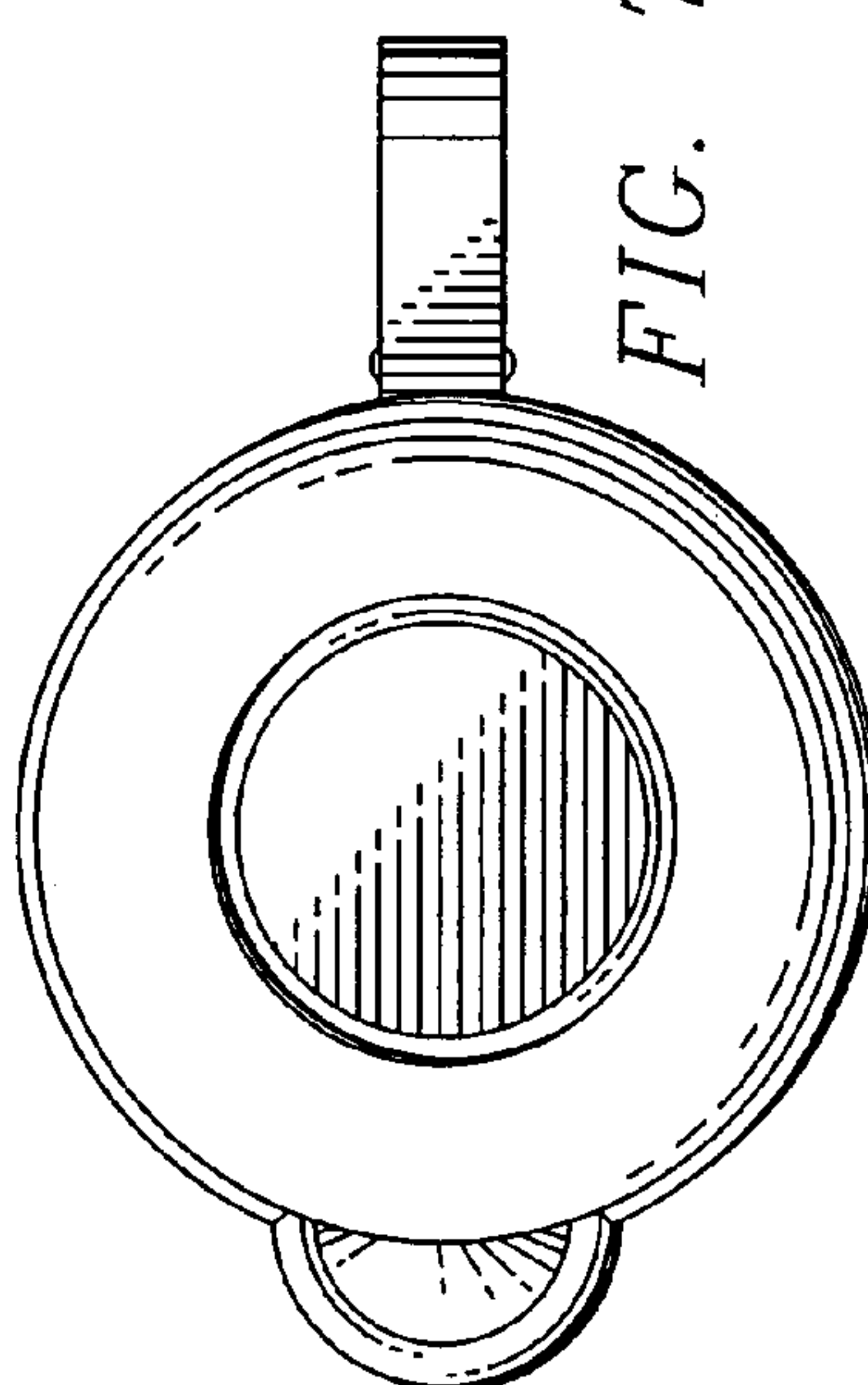


FIG. 7

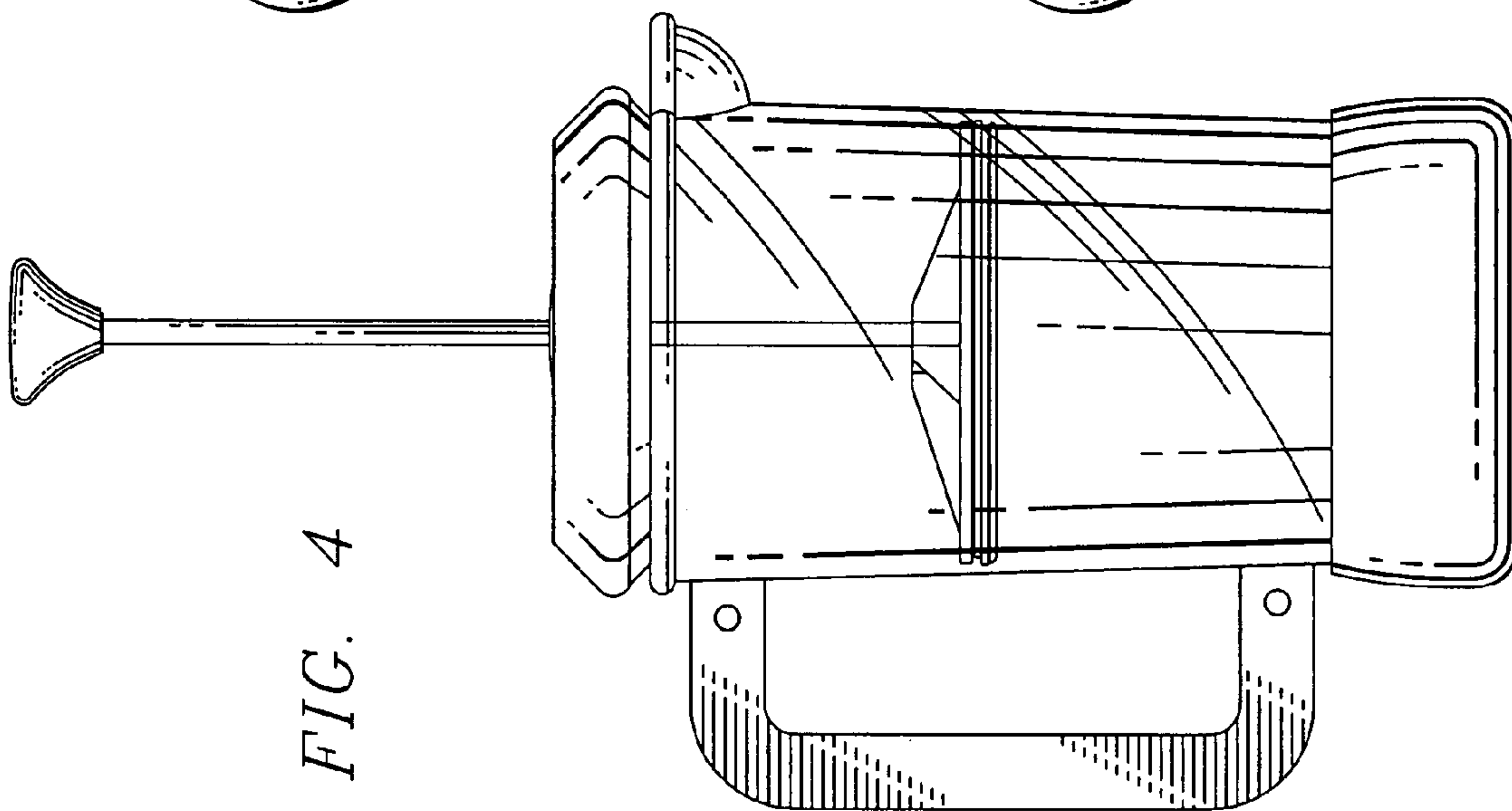


FIG. 4