



US00D573394S

(12) **United States Design Patent**
Tullney et al.

(10) **Patent No.:** **US D573,394 S**
(45) **Date of Patent:** **** Jul. 22, 2008**

(54) **WATER FILTRATION SYSTEM WITH A HANDLE**

(75) Inventors: **Heiko Tullney**, Hamburg (DE); **Till Muhl**, Hamburg (DE); **Anne Carls**, Hamburg (DE); **Thomas Milewski**, Hamburg (DE)

(73) Assignee: **Brita GmbH**, Taunusstein (DE)

(**) Term: **14 Years**

(21) Appl. No.: **29/292,012**

(22) Filed: **Sep. 25, 2007**

(30) **Foreign Application Priority Data**

Apr. 5, 2007 (DE) 4 07 01 889

(51) **LOC (8) Cl.** **07-01**

(52) **U.S. Cl.** **D7/317; D7/319; D23/209**

(58) **Field of Classification Search** **D7/300, D7/316-319, 312, 691; D23/207, 209; 73/304 R; 210/482, 266, 85; 222/131**
See application file for complete search history.

(56) **References Cited**

U.S. PATENT DOCUMENTS

- D181,621 S * 12/1957 Blot D7/317
- D199,037 S * 9/1964 Jackson D7/691
- 3,858,767 A * 1/1975 Borin 222/494
- D313,555 S * 1/1991 Jordi D9/424
- 5,190,643 A 3/1993 Duncan et al.
- 5,637,214 A 6/1997 Kahana
- D383,351 S 9/1997 DeMore
- 5,663,224 A 9/1997 Emmons et al.
- 5,665,224 A * 9/1997 Levene et al. 210/85
- D386,041 S * 11/1997 Tanner et al. D7/319
- D388,654 S 1/1998 Bouhuys
- D388,655 S * 1/1998 Flom et al. D7/319
- D389,004 S * 1/1998 Hampshire et al. D7/319
- D389,006 S 1/1998 Demore et al.
- D398,184 S 9/1998 Silverberg et al.
- D400,392 S * 11/1998 Robertson et al. D7/319
- D406,003 S * 2/1999 Tanner et al. D7/319

- 5,900,138 A 5/1999 Moretto
- D415,922 S * 11/1999 Kawasaki et al. D7/317
- D416,163 S * 11/1999 Doritty et al. D7/319
- D421,361 S * 3/2000 Coulson et al. D7/319
- 6,103,114 A 8/2000 Tanner et al.
- D437,175 S 2/2001 Brady
- D439,790 S 4/2001 Matsushita et al.
- D440,110 S * 4/2001 Tanner et al. D7/319
- 6,224,751 B1 5/2001 Hofmann et al.
- D444,662 S * 7/2001 McGrath et al. D7/319
- D444,843 S 7/2001 Hilgers et al.
- D444,987 S 7/2001 McGrath et al.
- D459,941 S 7/2002 Miller
- D463,706 S 10/2002 Lecerf
- 6,953,523 B2 * 10/2005 Vandenbelt et al. 210/85
- D520,597 S 5/2006 Witte
- 7,107,838 B2 * 9/2006 Chai et al. 73/304 R
- D546,113 S * 7/2007 Ruoff D7/319
- D568,666 S * 5/2008 Souloglou D7/317

* cited by examiner

Primary Examiner—Marianne Pandozzi

(74) *Attorney, Agent, or Firm*—Hudak, Shunk & Farine Co. LPA

(57) **CLAIM**

The ornamental design for a water filtration system with a handle, as shown and described.

DESCRIPTION

FIG. 1 is a left side front perspective view of a water filtration system;

FIG. 2 is a left side rear perspective view thereof;

FIG. 3 is a left side view thereof;

FIG. 4 is a rear elevational view thereof;

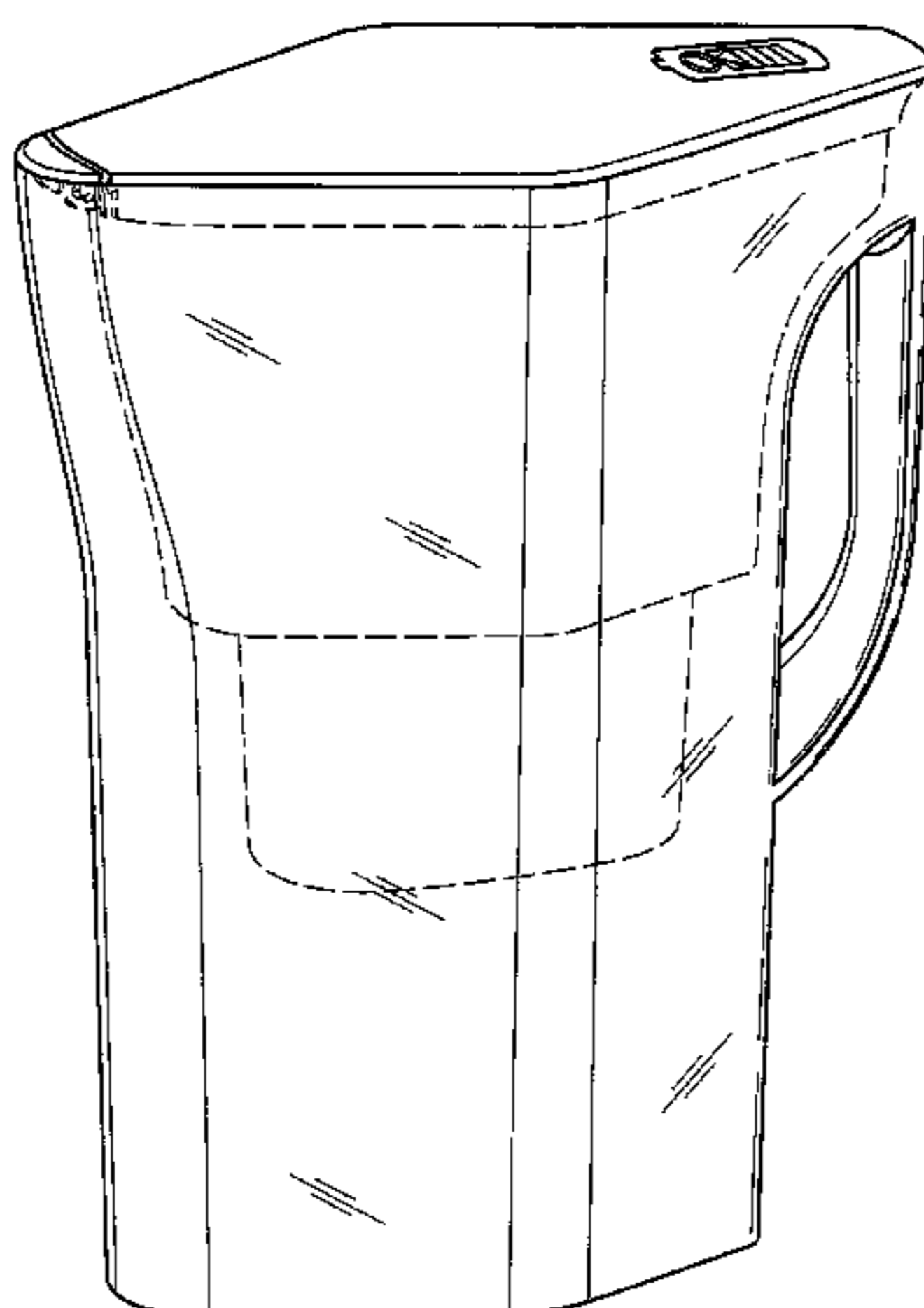
FIG. 5 is a front elevational view thereof;

FIG. 6 is a top plan view thereof; and,

FIG. 7 is a bottom plan view thereof.

The broken lines in the drawings are for illustrative purposes only and form no part of the claimed design.

1 Claim, 7 Drawing Sheets



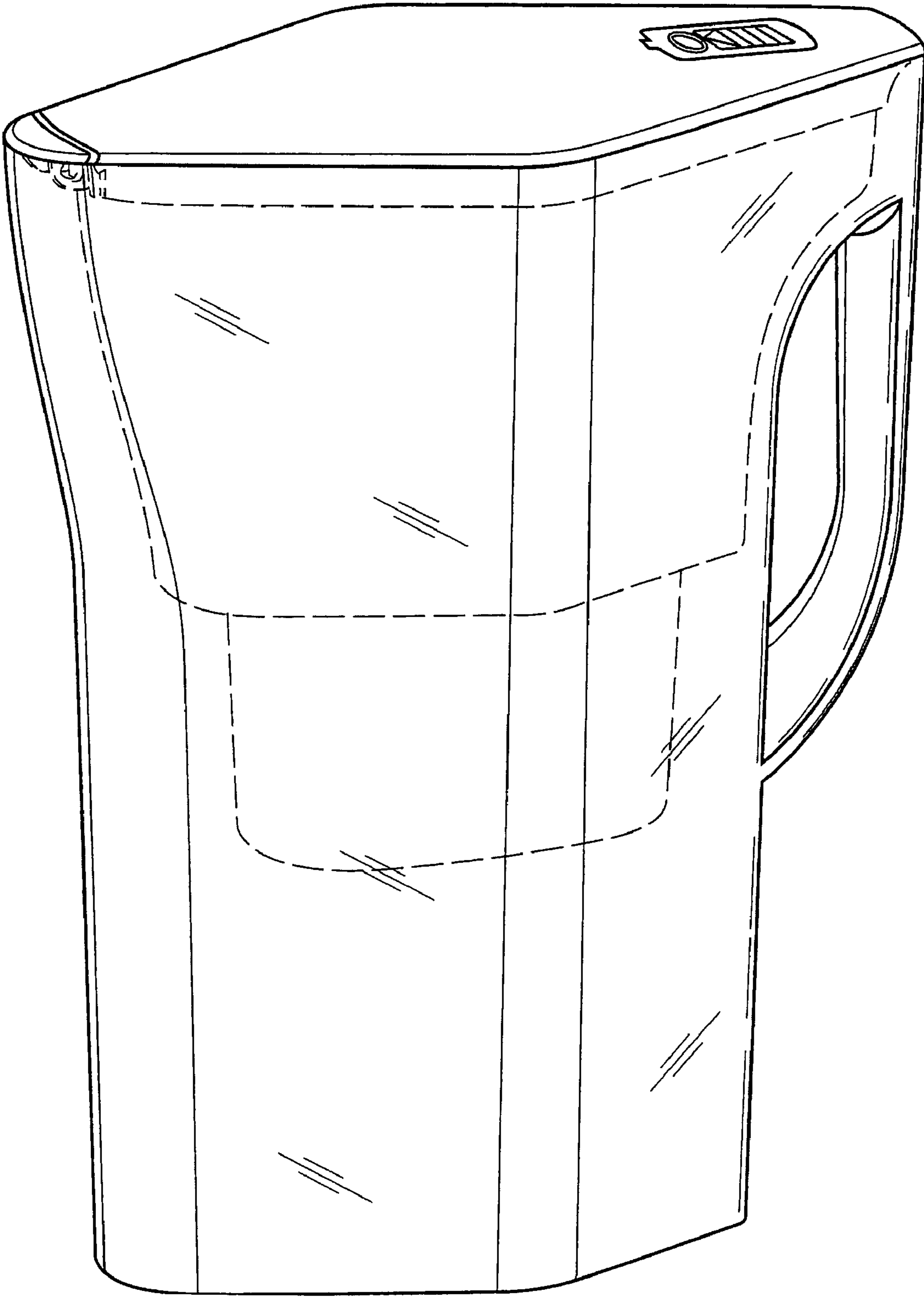


FIG. 1

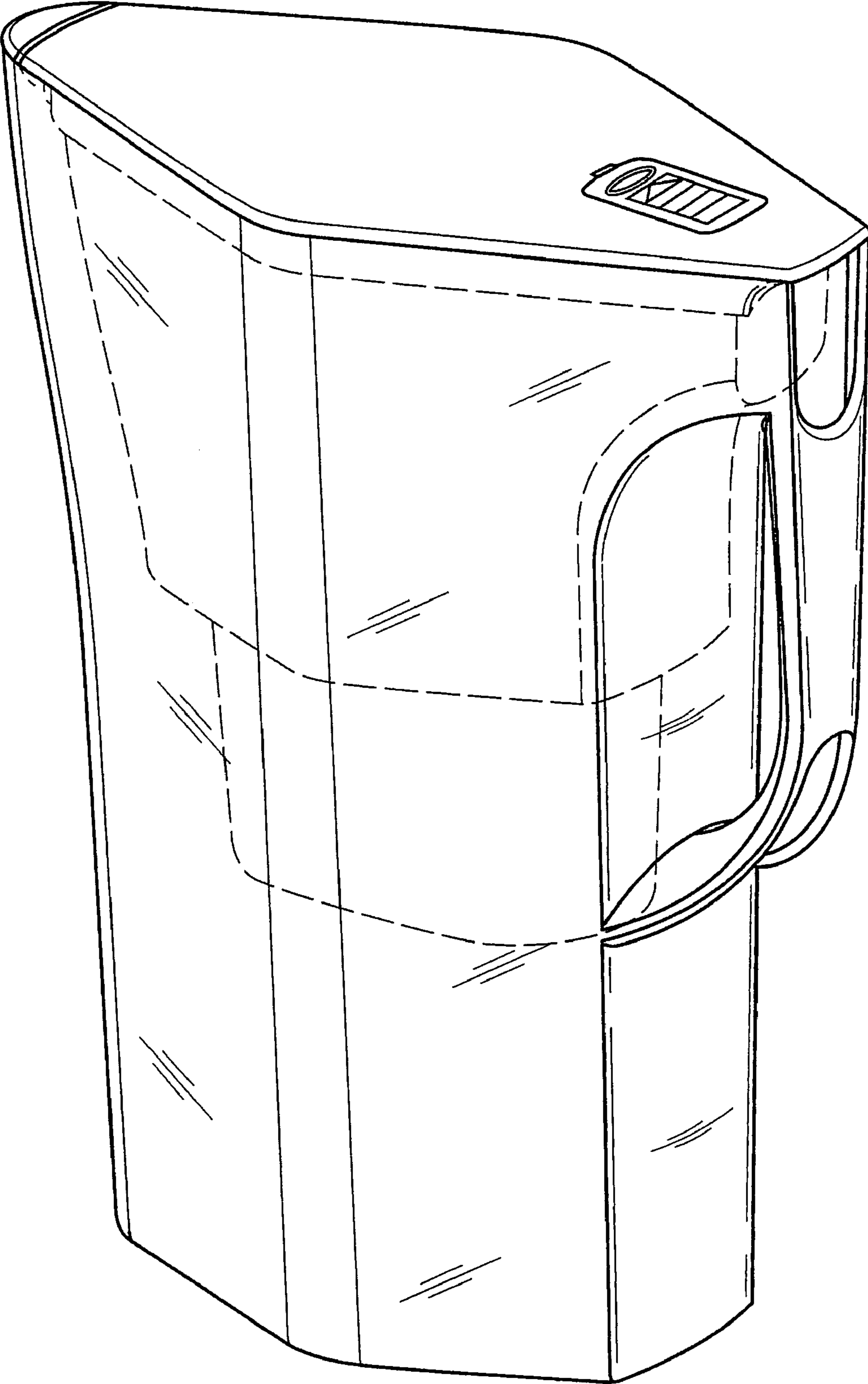


FIG. 2

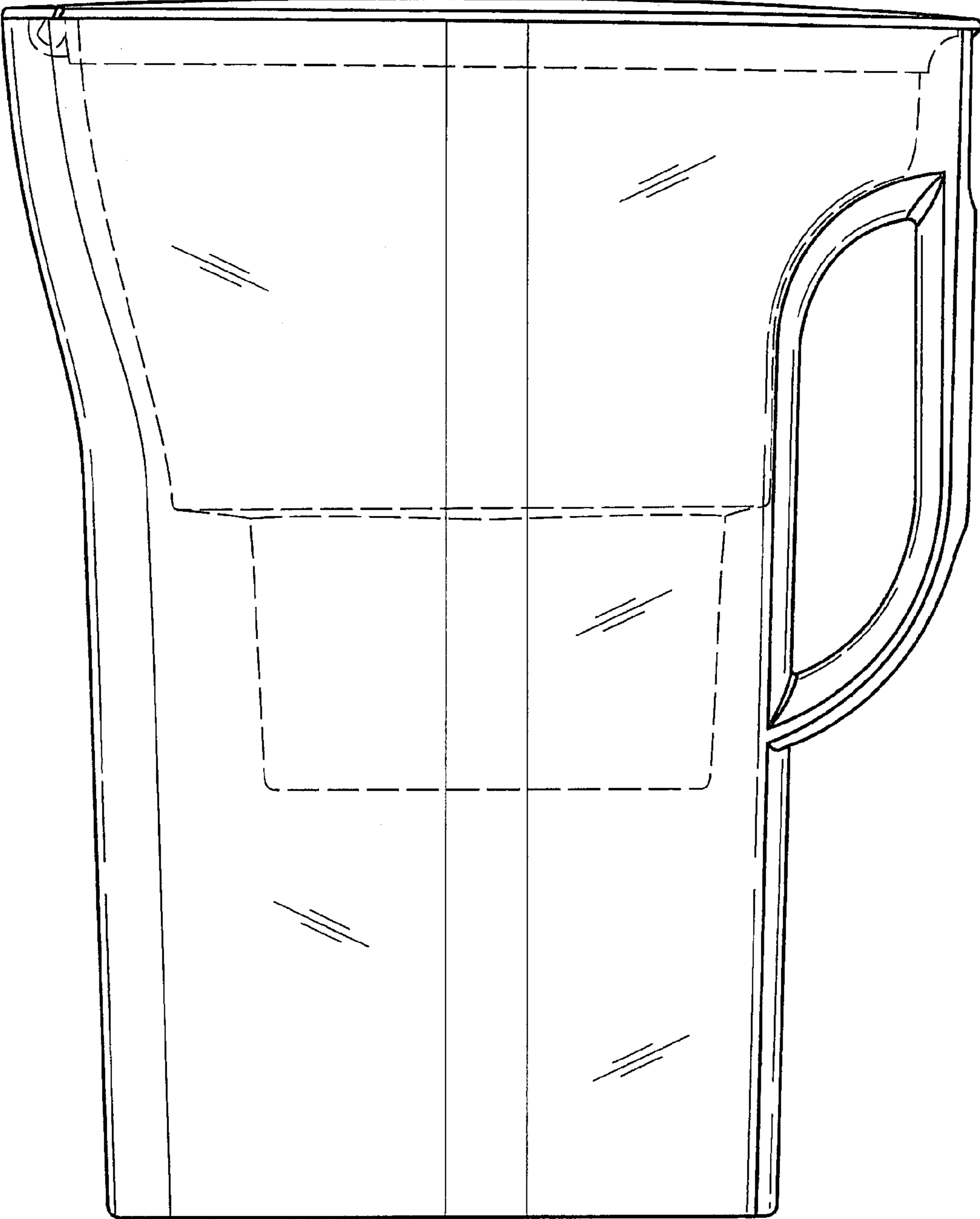


FIG. 3

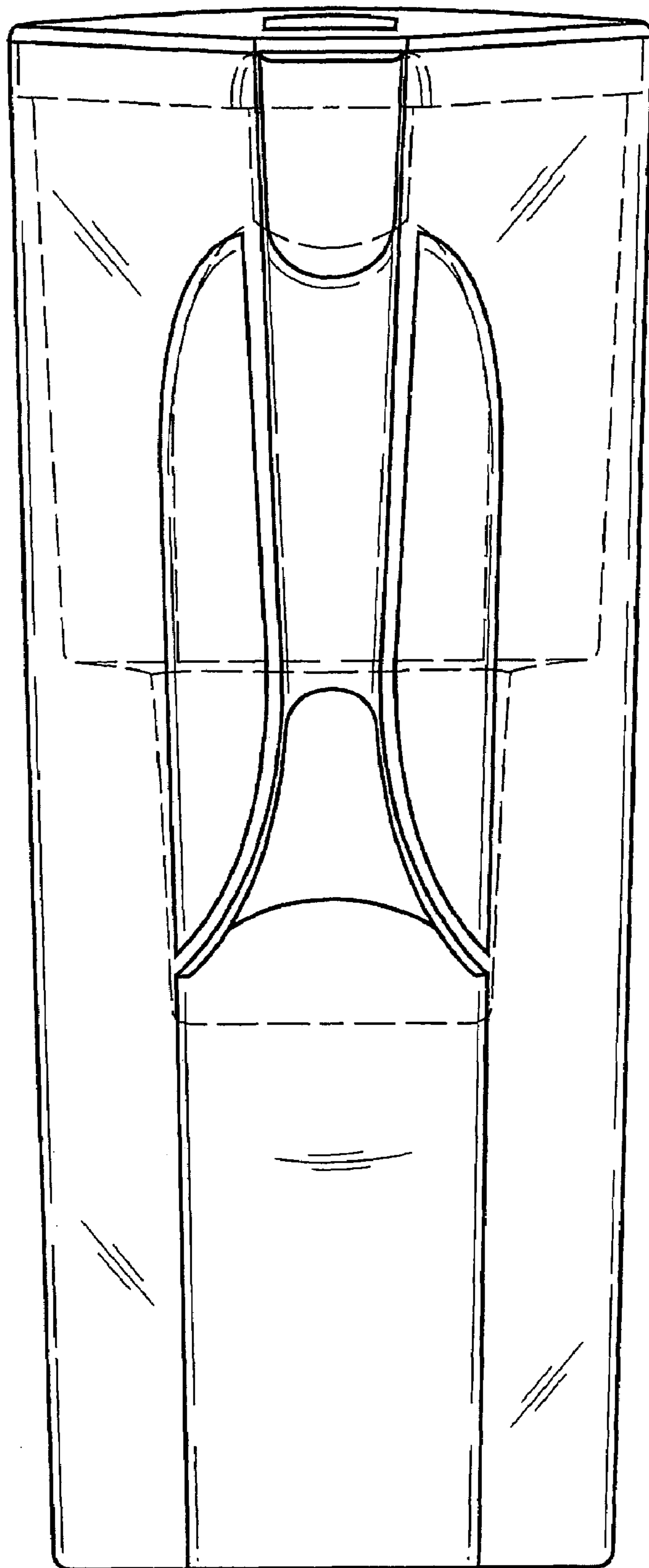


FIG. 4

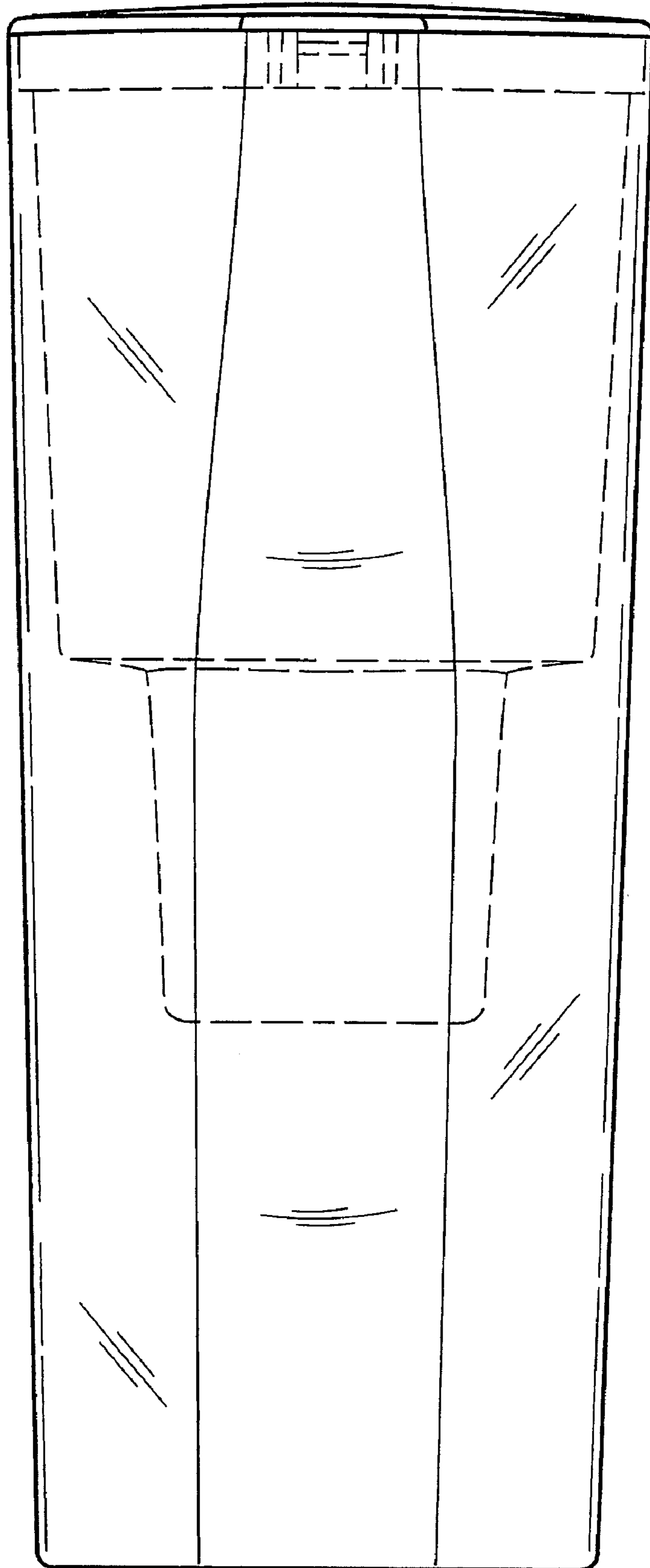


FIG. 5

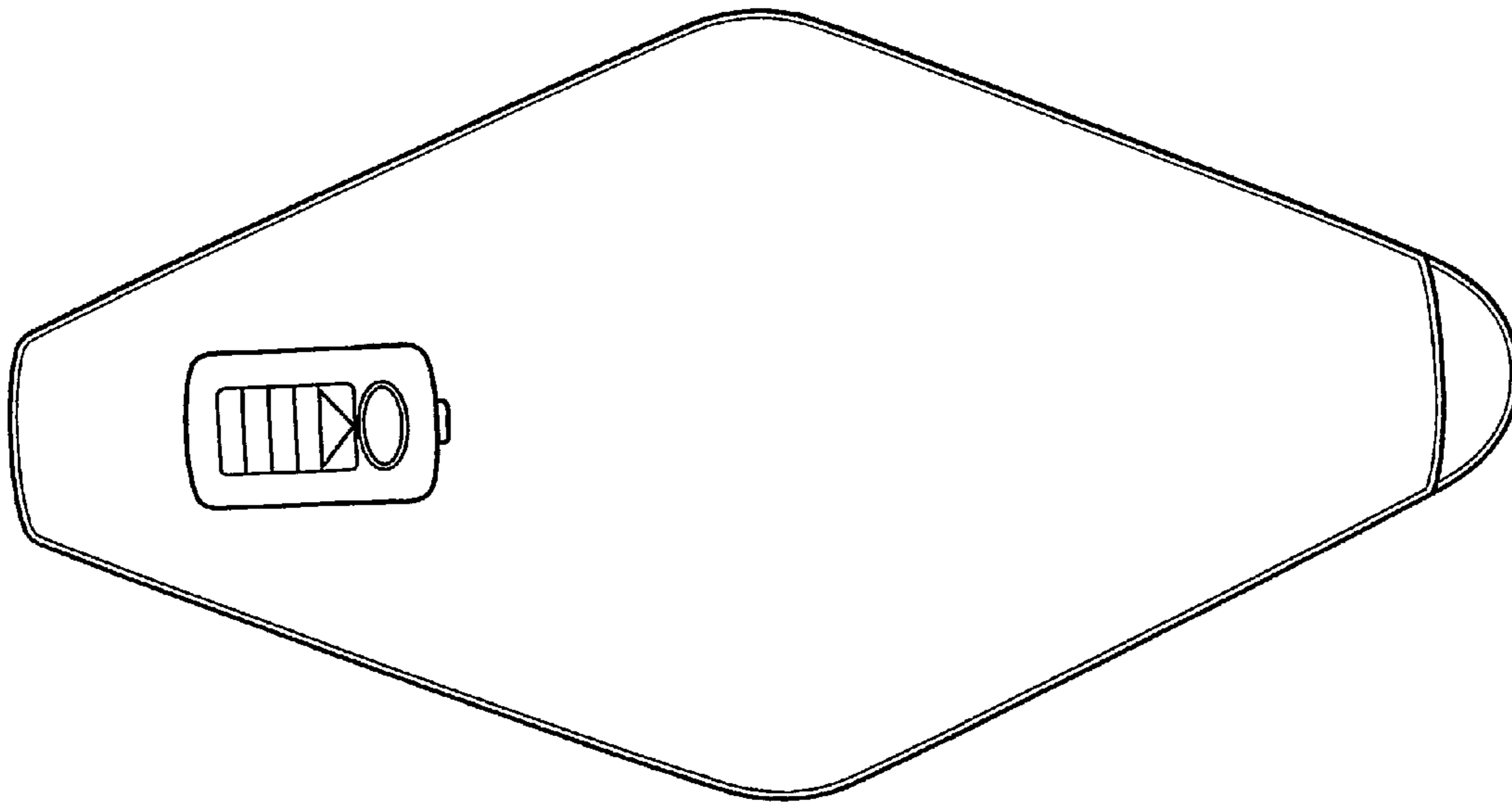


FIG. 6

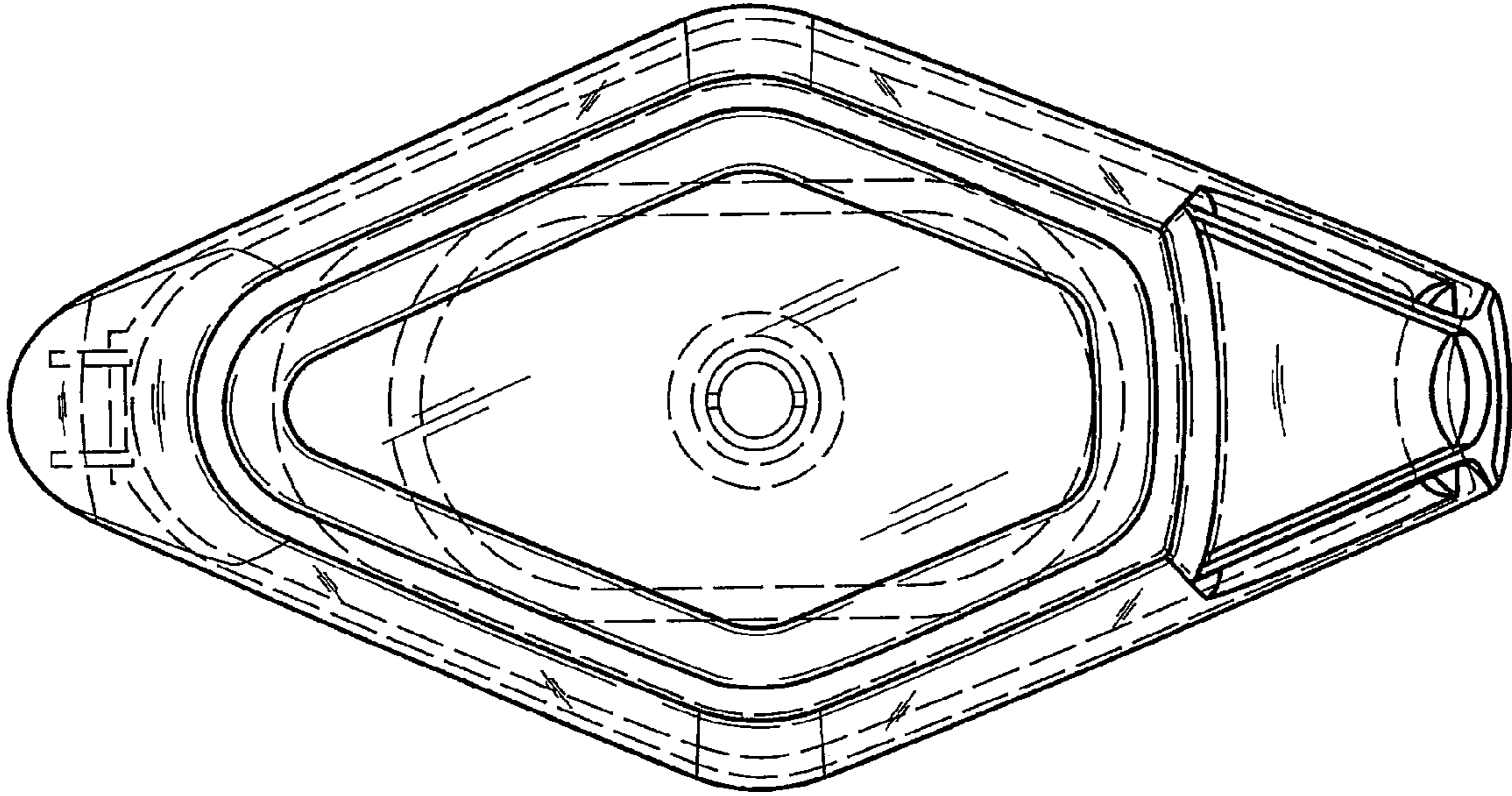


FIG. 7