



US00D573393S

(12) **United States Design Patent**
Trazzi

(10) **Patent No.:** **US D573,393 S**
(45) **Date of Patent:** **** Jul. 22, 2008**

- (54) **ESPRESSO COFFEE MACHINE**
- (75) Inventor: **Luca Trazzi**, Verona (IT)
- (73) Assignee: **ILLYCAFFE' SpA con unico socio**, Trieste (IT)
- (**) Term: **14 Years**
- (21) Appl. No.: **29/275,347**
- (22) Filed: **Dec. 21, 2006**
- (30) **Foreign Application Priority Data**
Jun. 23, 2006 (EP) 549803
- (51) **LOC (8) Cl.** **07-01**
- (52) **U.S. Cl.** **D7/309; D7/311**
- (58) **Field of Classification Search** D7/307,
D7/306, 300, 309-311; 99/280, 286, 305,
99/306, 295, 279, 299, 285
See application file for complete search history.

- D476,842 S * 7/2003 Cortese D7/309
- D497,510 S * 10/2004 Comorera Ivanov D7/307
- D501,353 S * 2/2005 Rosa et al. D7/309
- 6,862,978 B1 * 3/2005 Fogagnolo 99/279
- D515,862 S * 2/2006 Pighetti D7/309
- D550,498 S * 9/2007 Vicente Seguer D7/309
- D551,487 S * 9/2007 Beretta D7/309

* cited by examiner

Primary Examiner—Marianne Pandozzi
(74) *Attorney, Agent, or Firm*—Panitch Schwarze Belisario & Nadel LLP

(57) **CLAIM**

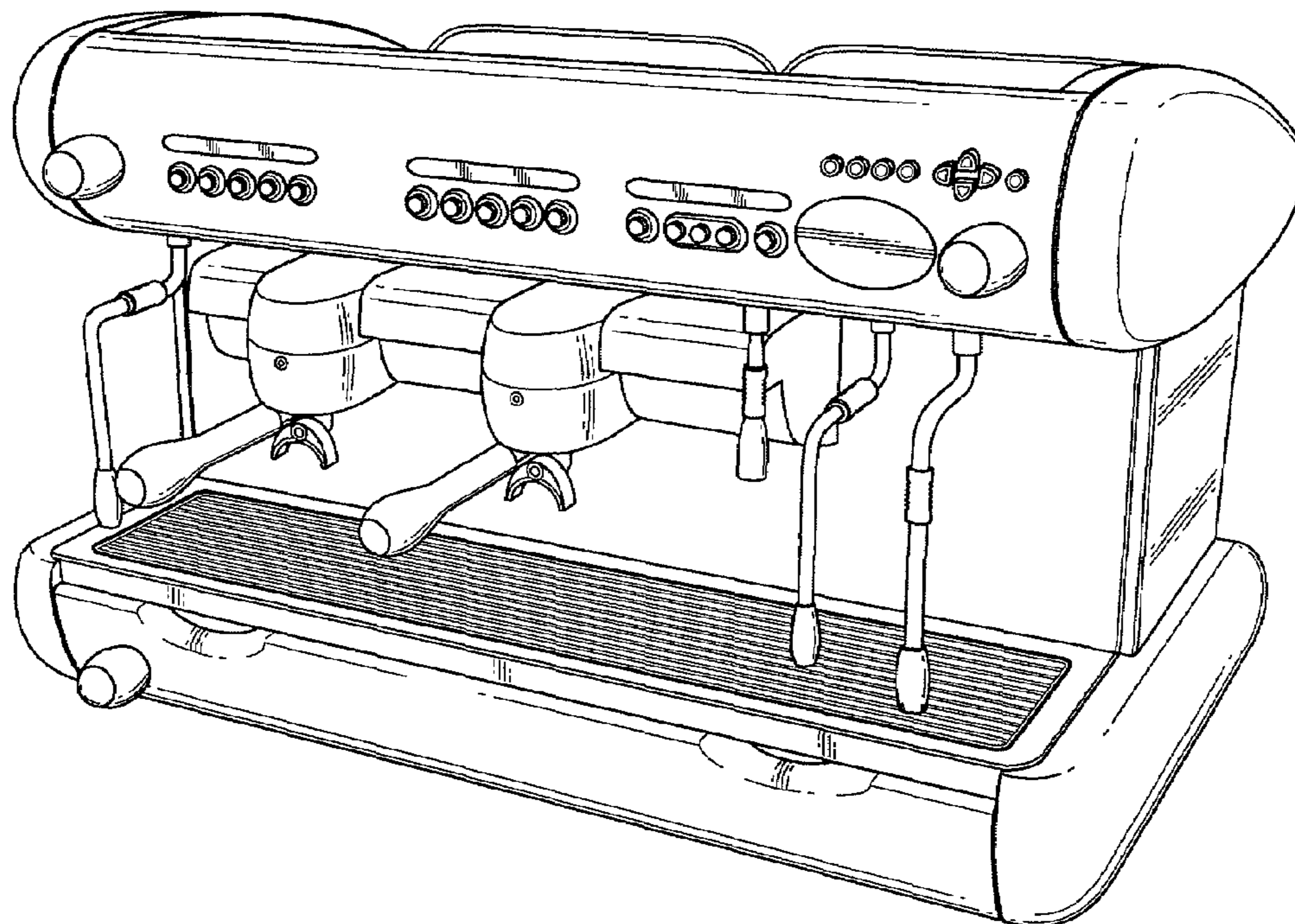
The ornamental design for an espresso coffee machine, as shown and described.

DESCRIPTION

FIG. 1 is a front perspective view of an espresso coffee machine in accordance with my new design;
FIG. 2 is a front elevational view thereof;
FIG. 3 is a right-side elevational view thereof;
FIG. 4 is a left-side elevational view thereof;
FIG. 5 is a rear elevational view thereof;
FIG. 6 is a top plan view thereof; and,
FIG. 7 is a bottom plan view thereof.

1 Claim, 6 Drawing Sheets

- (56) **References Cited**
U.S. PATENT DOCUMENTS
D313,724 S * 1/1991 Pinon D7/308
D360,555 S * 7/1995 Gil De Miguel D7/309
D395,975 S * 7/1998 Munoz D7/308
D417,580 S * 12/1999 Fusi D7/309
D431,409 S * 10/2000 Man D7/309
D439,788 S * 4/2001 Bettini D7/309



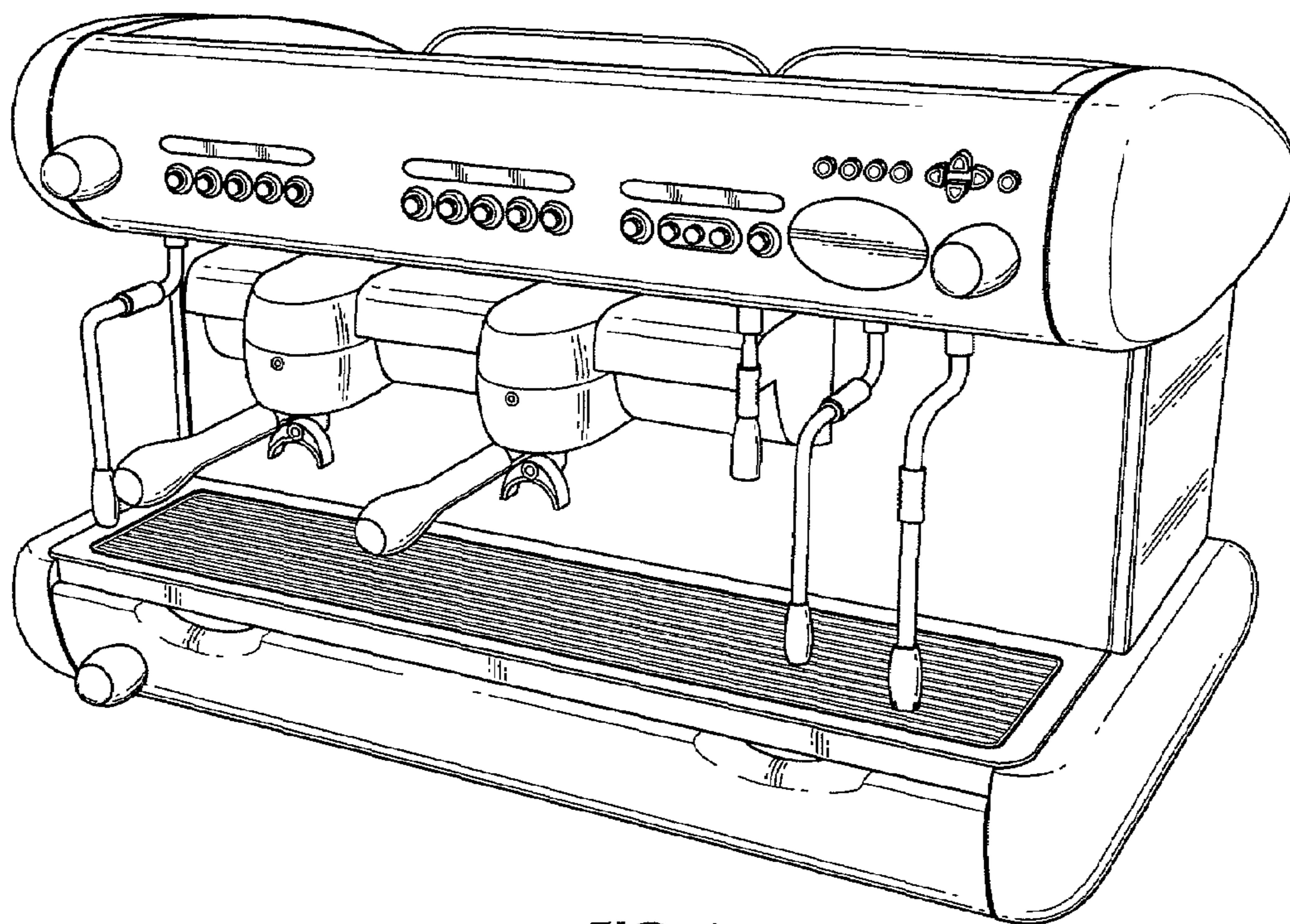


FIG. 1

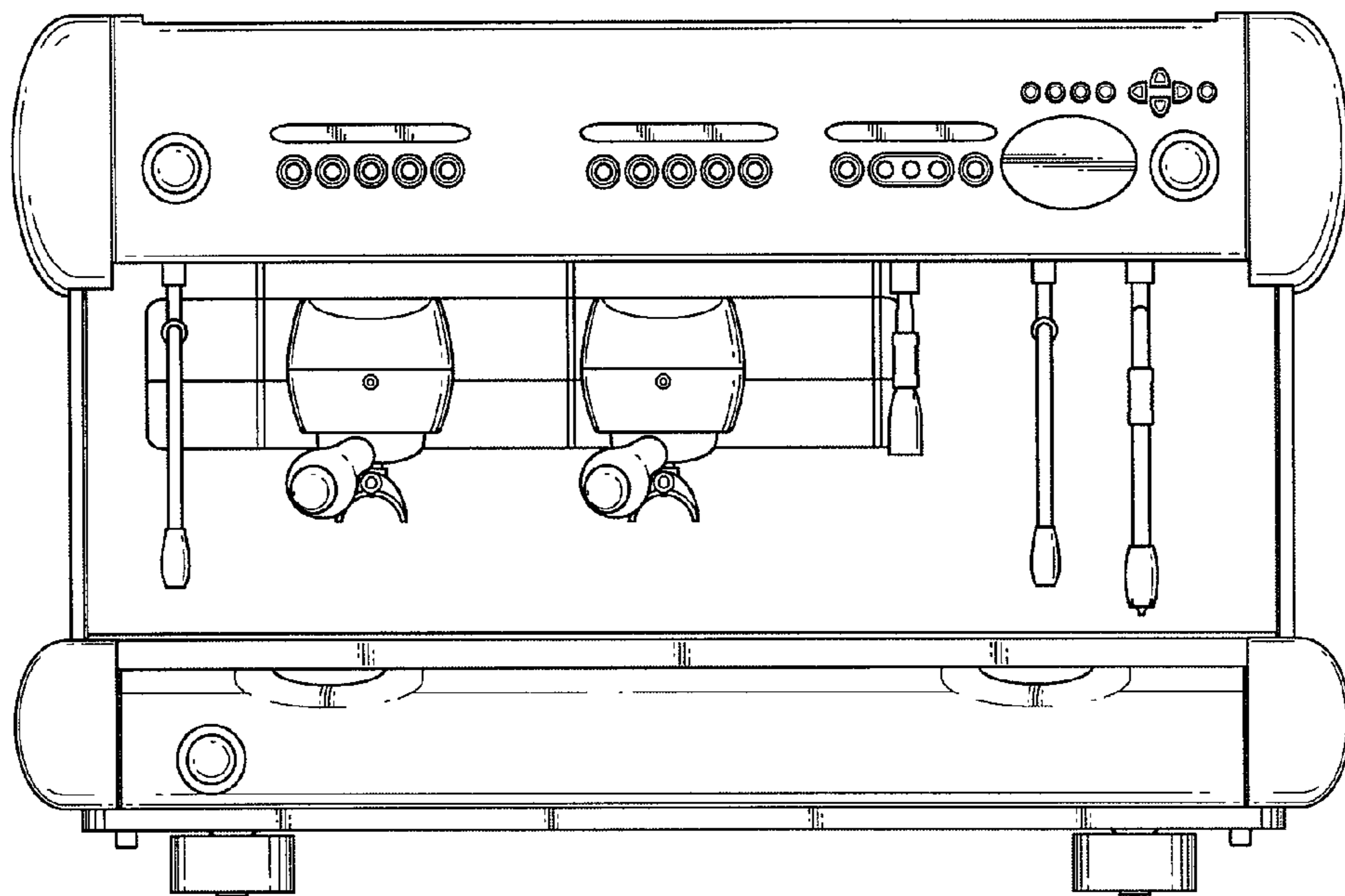


FIG. 2

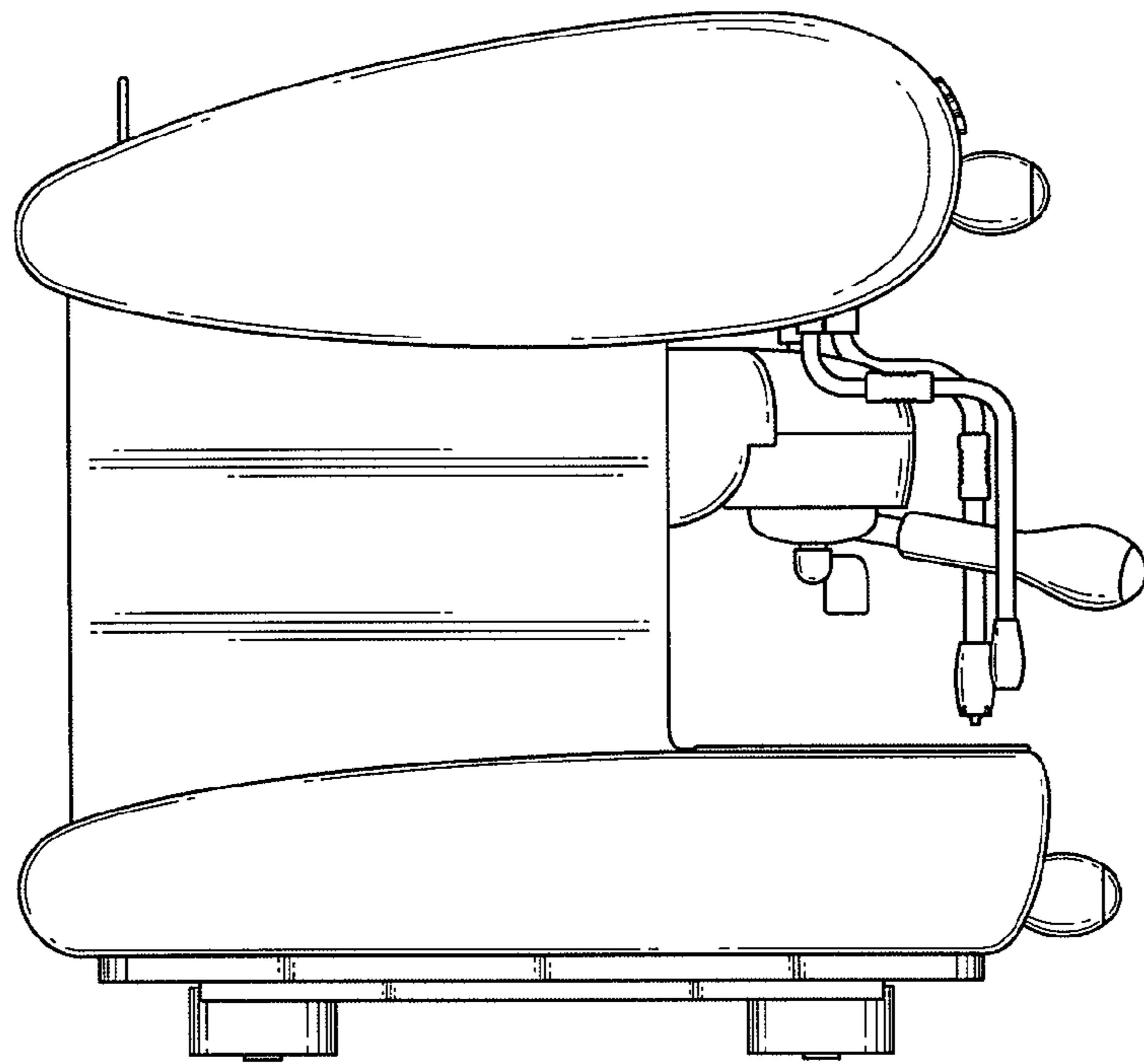


FIG. 3

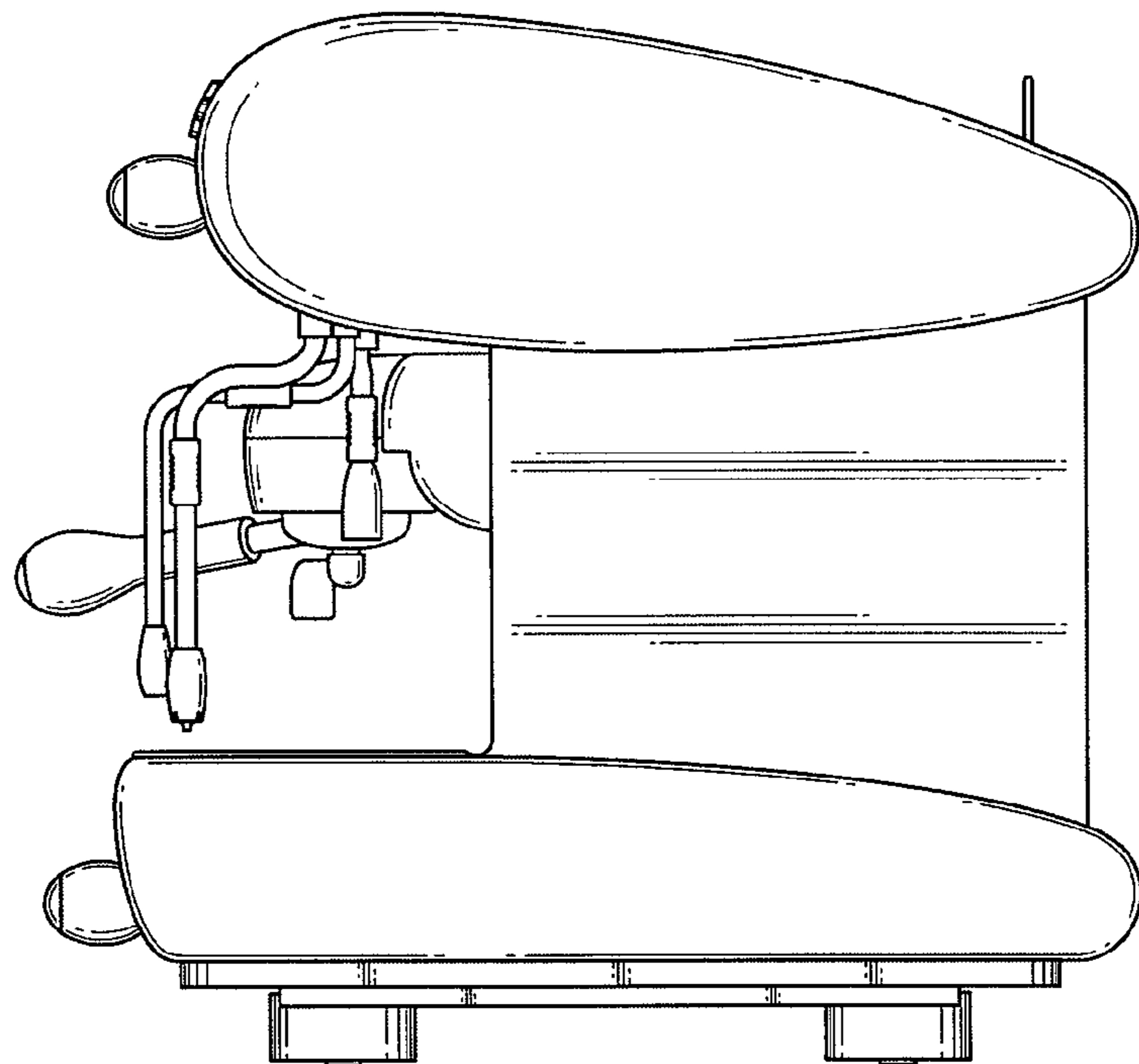


FIG. 4

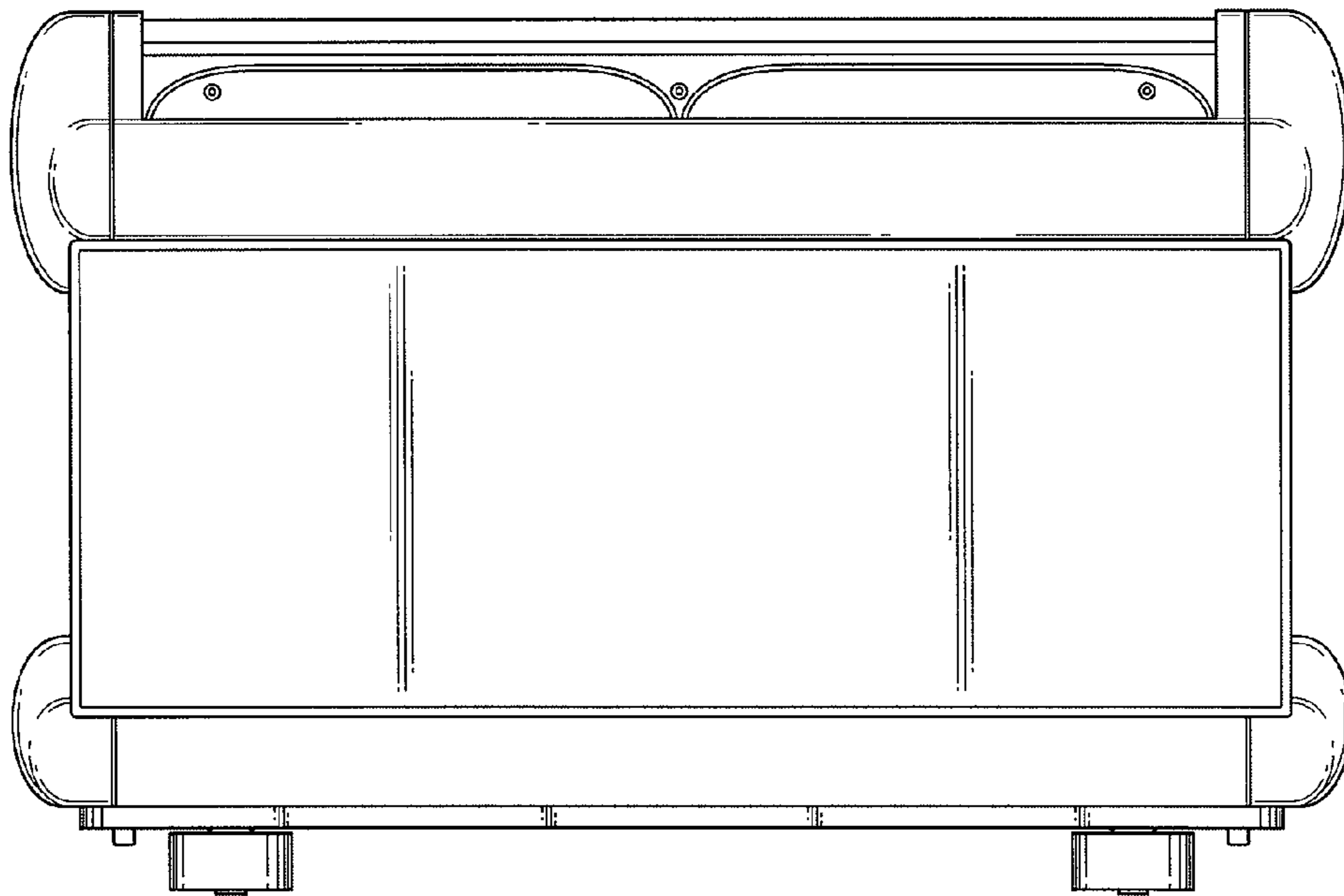


FIG. 5

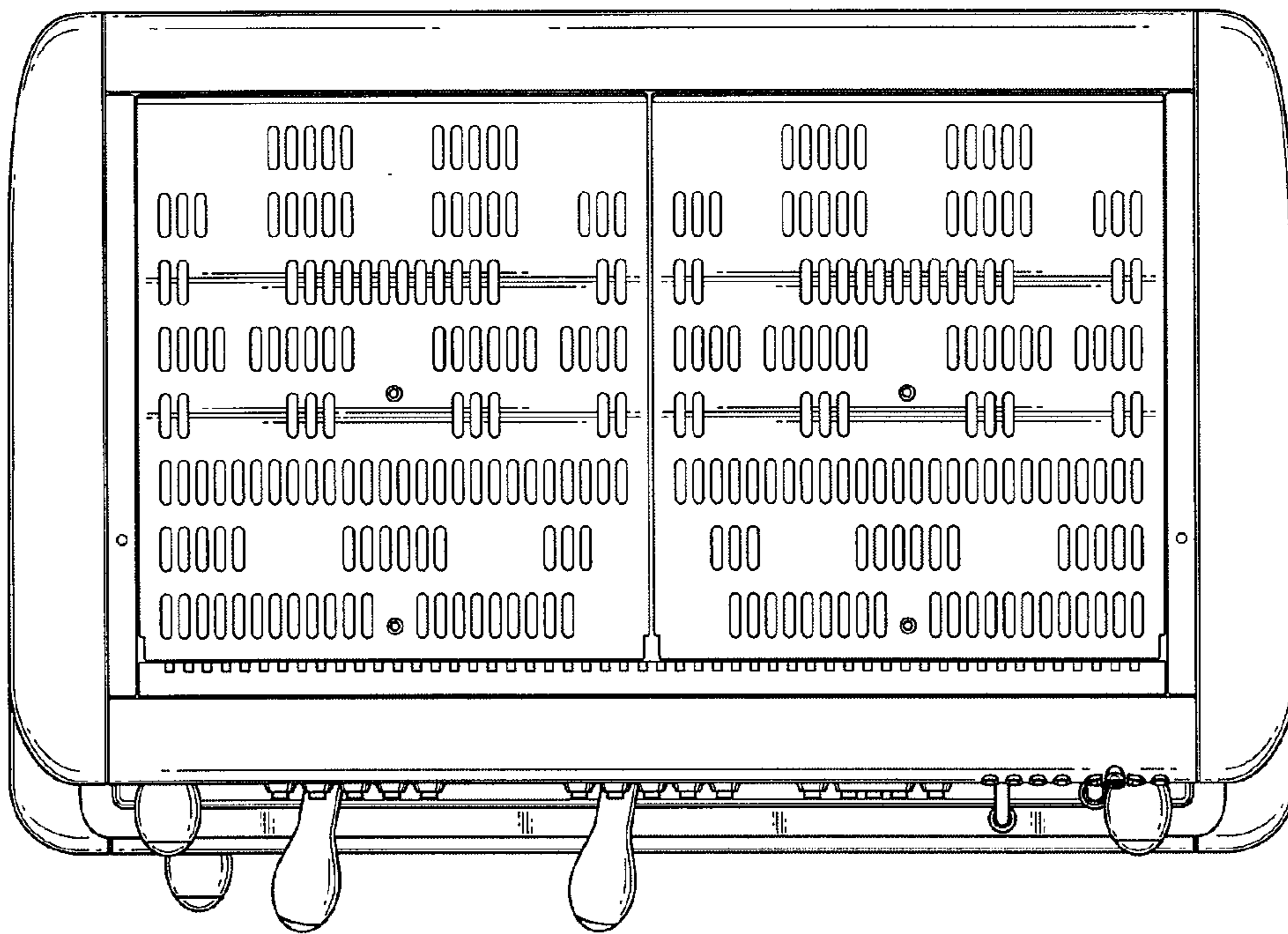


FIG. 6

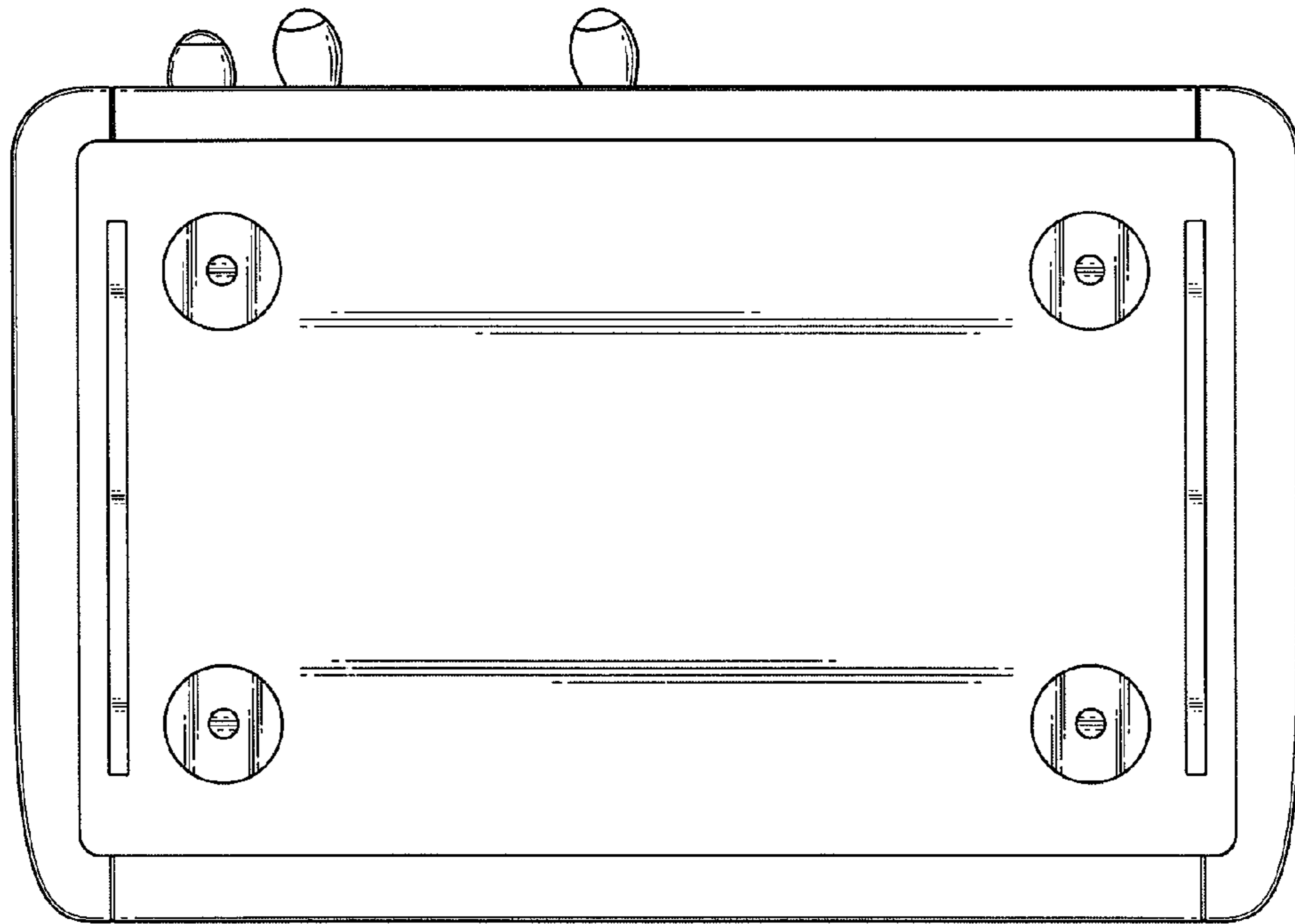


FIG. 7