



US00D573391S

(12) **United States Design Patent**
Sloan

(10) **Patent No.:** **US D573,391 S**

(45) **Date of Patent:** **** Jul. 22, 2008**

(54) **PORTABLE WATER FOUNTAIN**

(76) **Inventor:** **Loy A. Sloan**, 404 N. Knollaire Dr.,
Metamora, IL (US) 61548

(**) **Term:** **14 Years**

(21) **Appl. No.:** **29/266,994**

(22) **Filed:** **Oct. 3, 2006**

(51) **LOC (8) Cl.** **07-01**

(52) **U.S. Cl.** **D7/304; D7/300**

(58) **Field of Classification Search** D7/300,
D7/301, 304-308, 311, 312, 313; D23/293.1,
D23/277, 284; D24/123; D34/14, 17; 4/638,
4/639; 222/129.1, 129.3, 138, 146.1, 630;
248/129; 239/24-33, 16, 29.3

See application file for complete search history.

(56) **References Cited**

U.S. PATENT DOCUMENTS

- 914,120 A * 3/1909 Demarest 4/638
- D149,701 S * 5/1948 Smith D23/293.1
- D160,918 S * 11/1950 Berner D24/123
- 2,549,498 A * 4/1951 McAlpine et al. 248/89
- D172,710 S * 7/1954 Freitag D7/304

- D212,418 S * 10/1968 Doman D23/284
- 4,034,424 A * 7/1977 Budlong 4/540
- 4,167,793 A * 9/1979 Vago 4/562.1
- D270,391 S * 8/1983 Bergquist et al. D34/21
- D278,844 S * 5/1985 Stairs, Jr. D23/277
- D380,529 S * 7/1997 Laughton D23/287
- 6,213,483 B1 * 4/2001 Gaffney 280/47.35

* cited by examiner

Primary Examiner—Gary D. Watson

Assistant Examiner—Cynthia Underwood

(74) *Attorney, Agent, or Firm*—Golden's M & I; James B. Golden

(57) **CLAIM**

The ornamental design for the portable water fountain, as shown and described.

DESCRIPTION

FIG. 1 is an isometric view of a portable water fountain showing my new design; the broken lines are to show the environment and form no part of the claimed design;

FIG. 2 is a top view of the design shown in FIG. 1; and,

FIG. 3 is a side view of the design shown in FIG. 1.

1 Claim, 3 Drawing Sheets

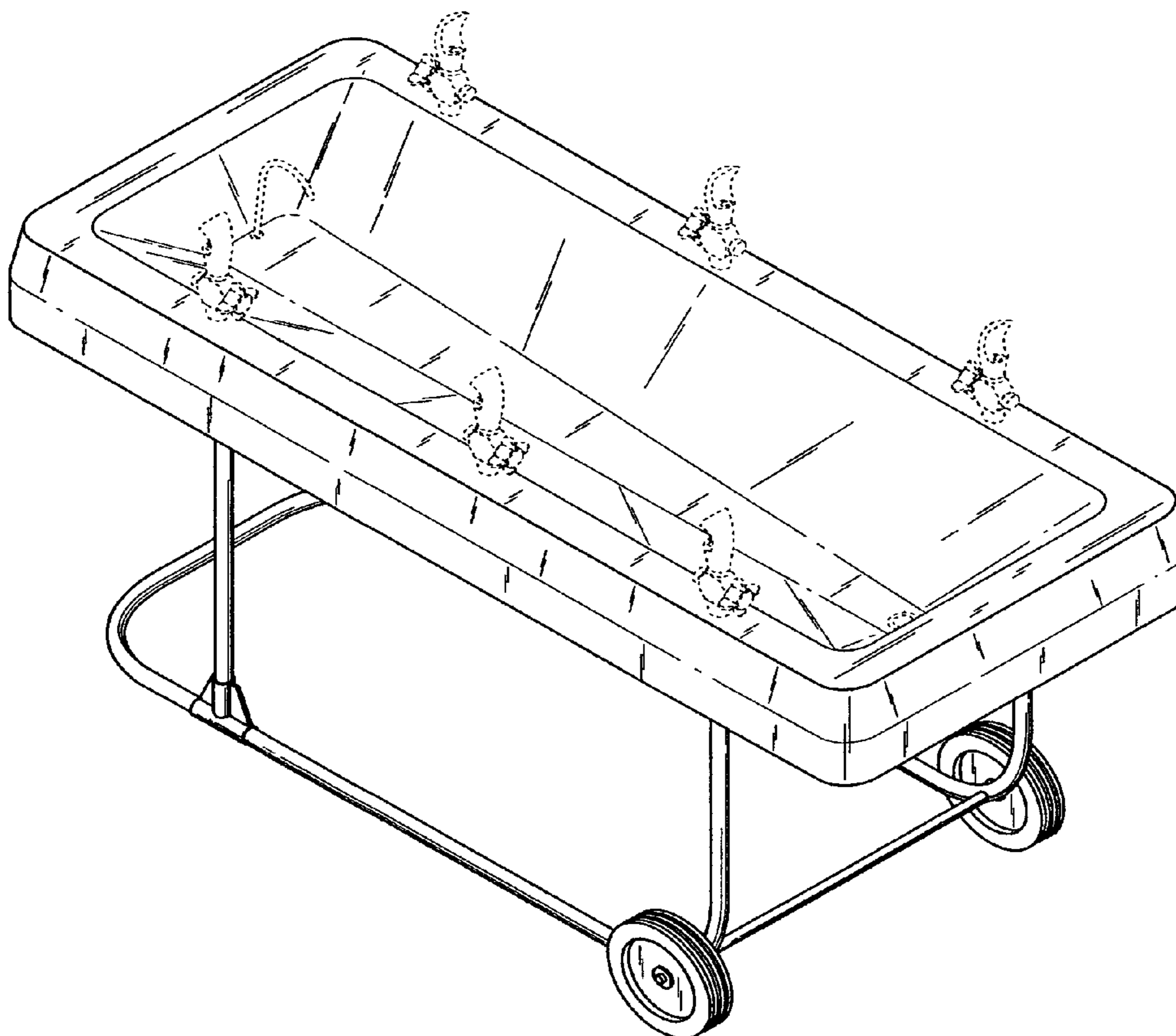


Fig. 1

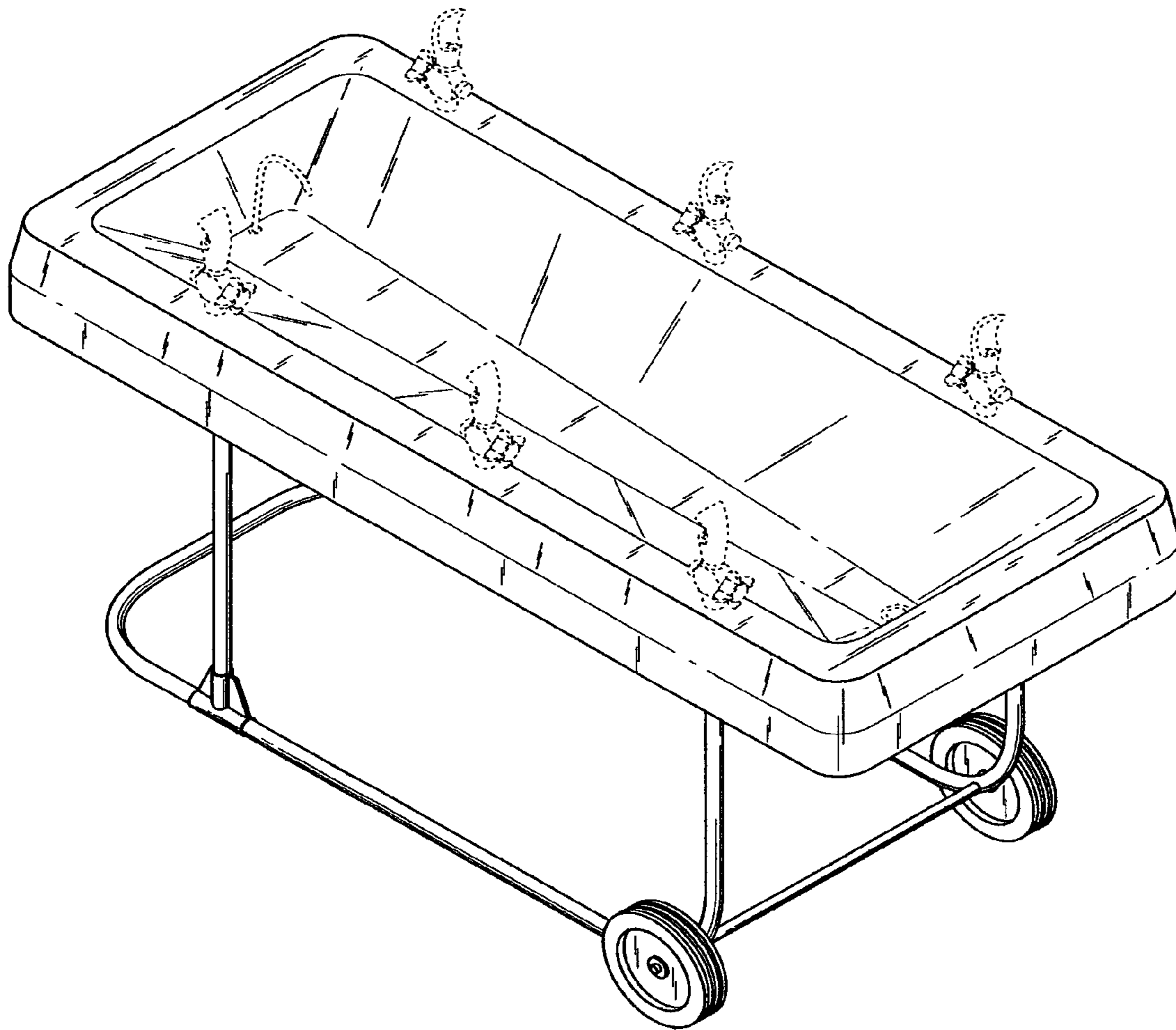


Fig. 2

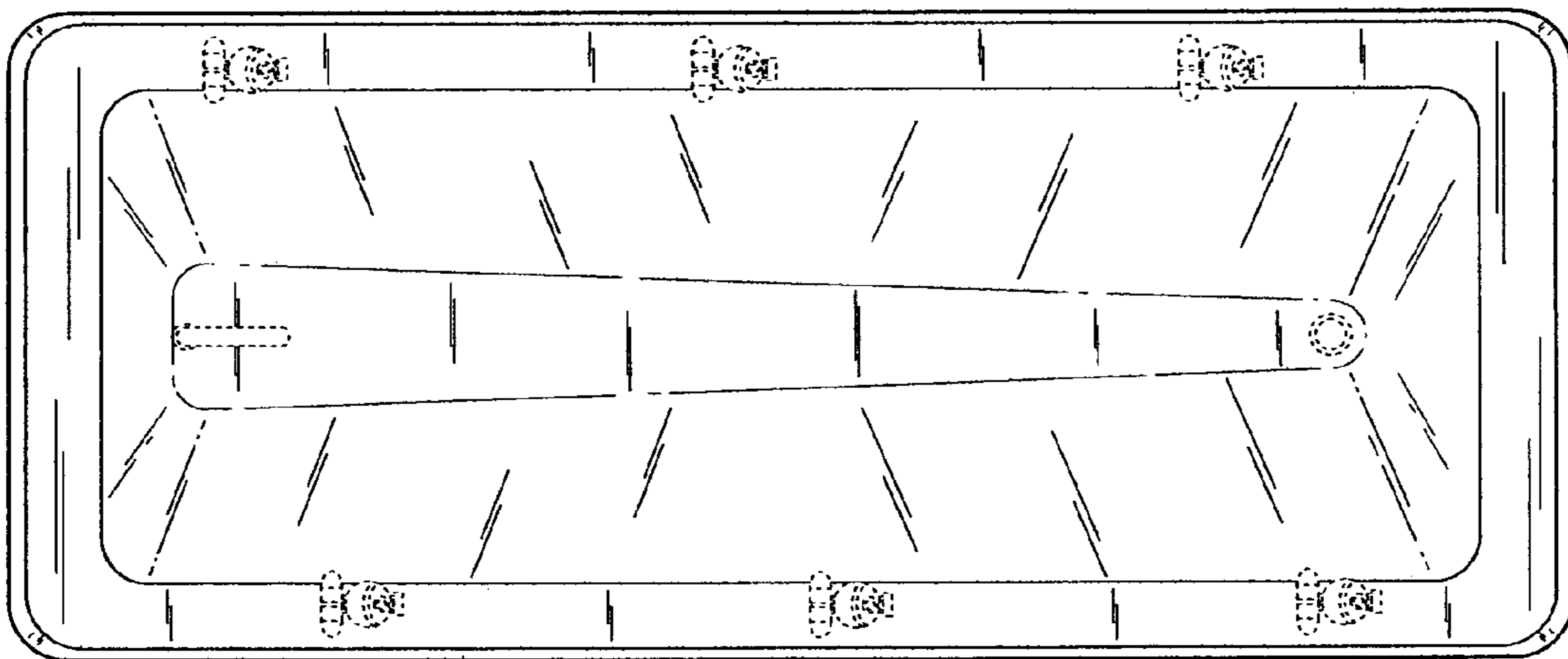


Fig. 3

