



US00D573388S

(12) **United States Design Patent**
Auciello

(10) **Patent No.:** **US D573,388 S**

(45) **Date of Patent:** **** Jul. 22, 2008**

(54) **DISPLAY RACK**

D508,353 S * 8/2005 Brandon D6/511
D547,097 S * 7/2007 Bastian et al. D6/511

(76) Inventor: **Giuseppe Auciello**, P.O. Box 20304,
New York, NY (US) 10011

* cited by examiner

(**) Term: **14 Years**

Primary Examiner—Brian N Vinson

(74) *Attorney, Agent, or Firm*—Bradley N. Ruben

(21) Appl. No.: **29/285,149**

(57) **CLAIM**

(22) Filed: **Mar. 22, 2007**

The ornamental design for a display rack, as shown and described.

(51) **LOC (8) Cl.** **06-04**

(52) **U.S. Cl.** **D6/570**

(58) **Field of Classification Search** D6/510–511,
D6/553, 567, 570, 574; 211/13.1, 86.01,
211/87.01, 88.01, 90.01, 126.1, 134; 108/59,
108/50.01, 50.02

DESCRIPTION

See application file for complete search history.

FIG. 1 is perspective view of my new display rack design;

FIG. 2 is a front view thereof;

FIG. 3 is a rear view thereof;

FIG. 4 is a right view thereof, the left side view being the mirror image thereof; and

(56) **References Cited**

U.S. PATENT DOCUMENTS

D138,992 S * 10/1944 Daum D6/570
D453,652 S * 2/2002 Walker D6/570
D508,343 S * 8/2005 Pflaster D6/511

FIG. 5 is a top view thereof; and,

FIG. 6 is a bottom view thereof.

1 Claim, 3 Drawing Sheets

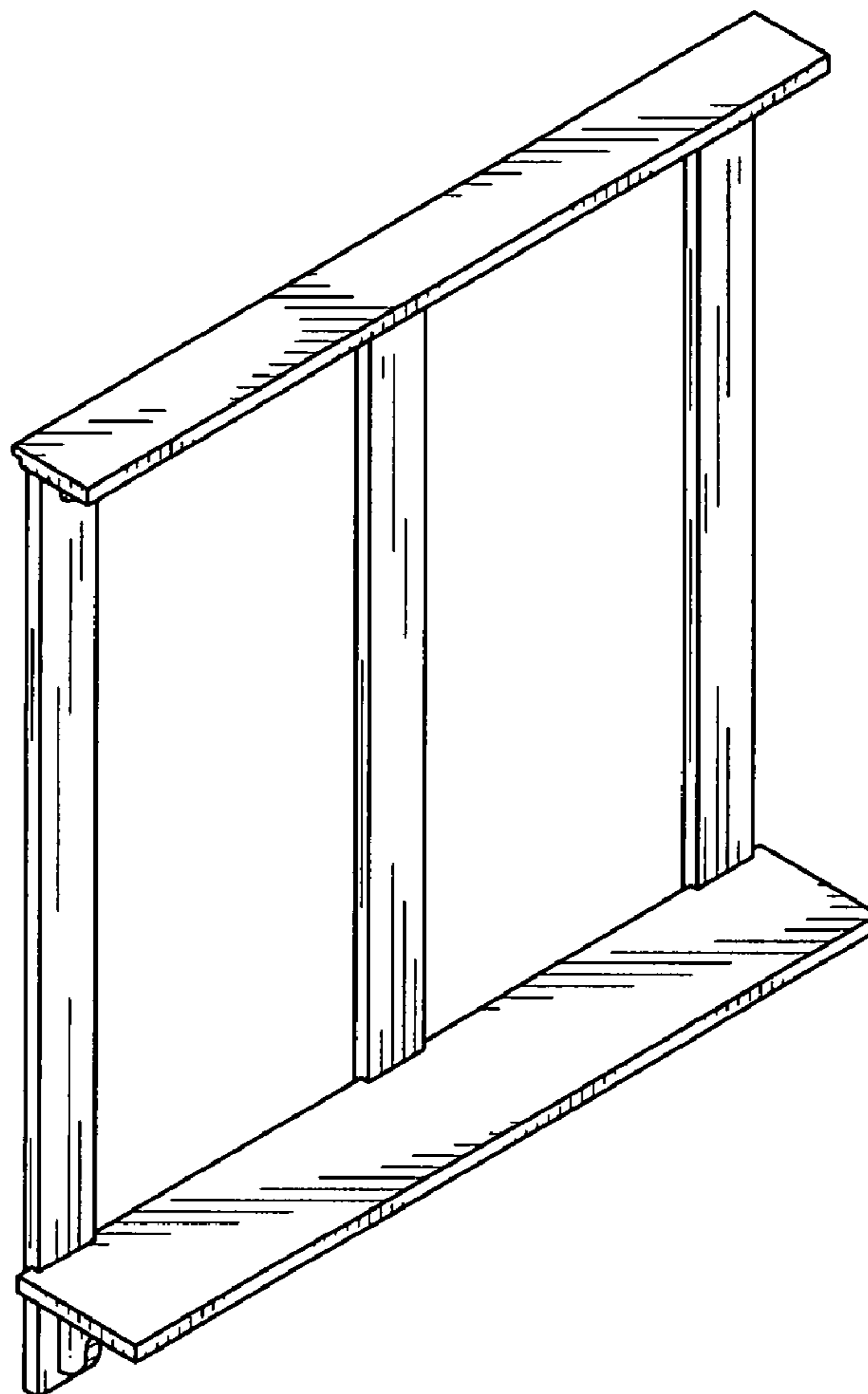


FIG. 1

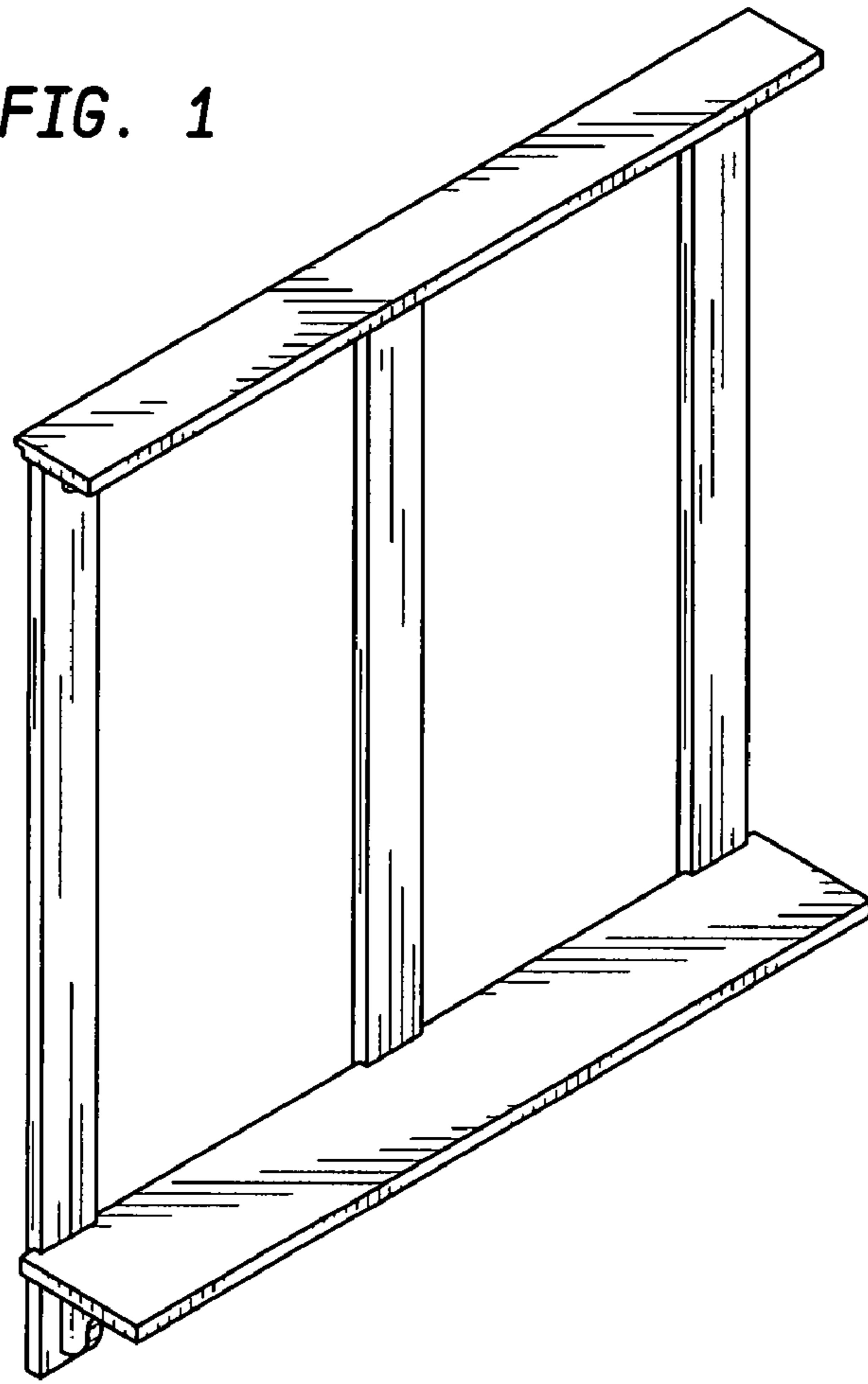


FIG. 2

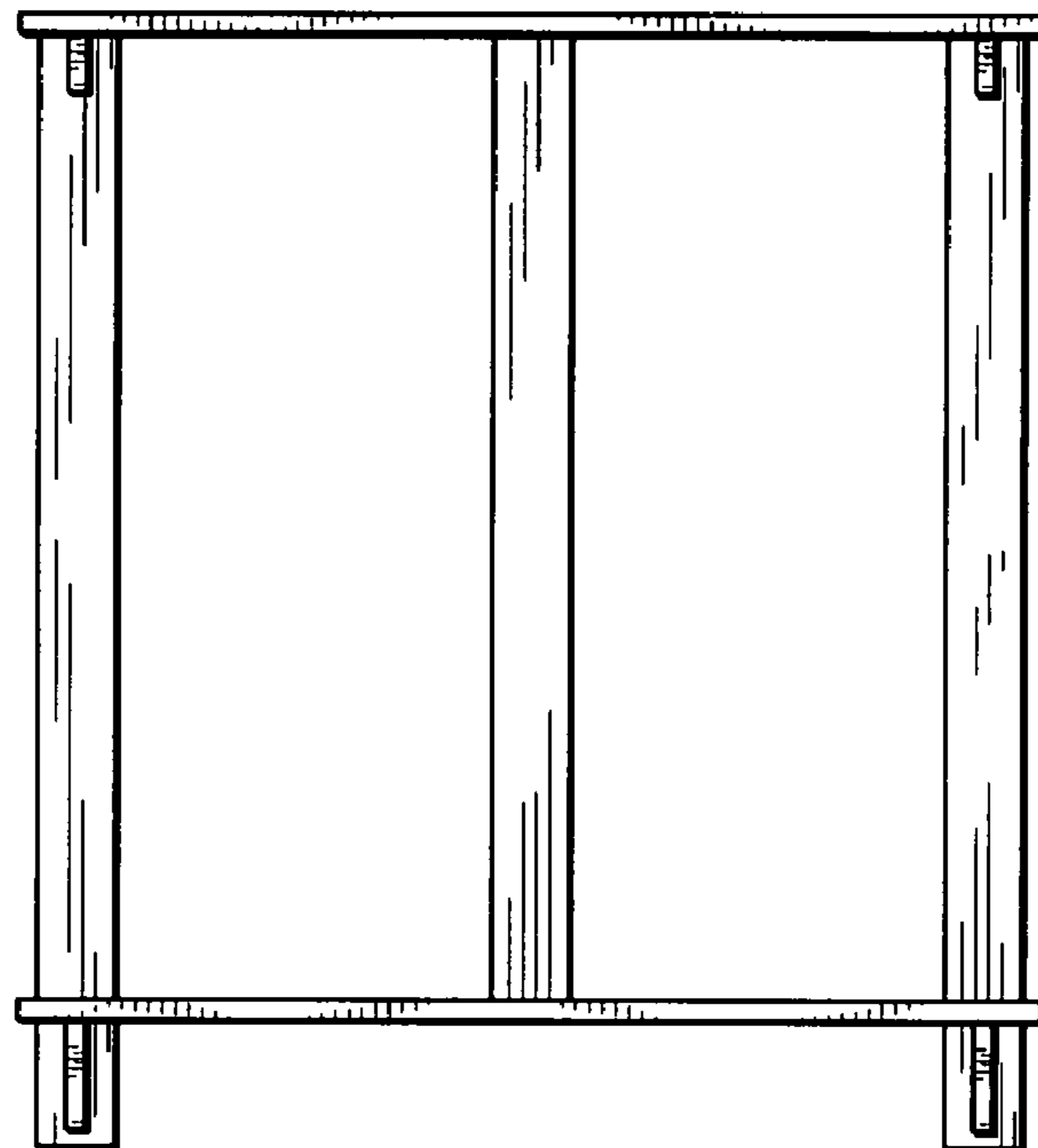


FIG. 3

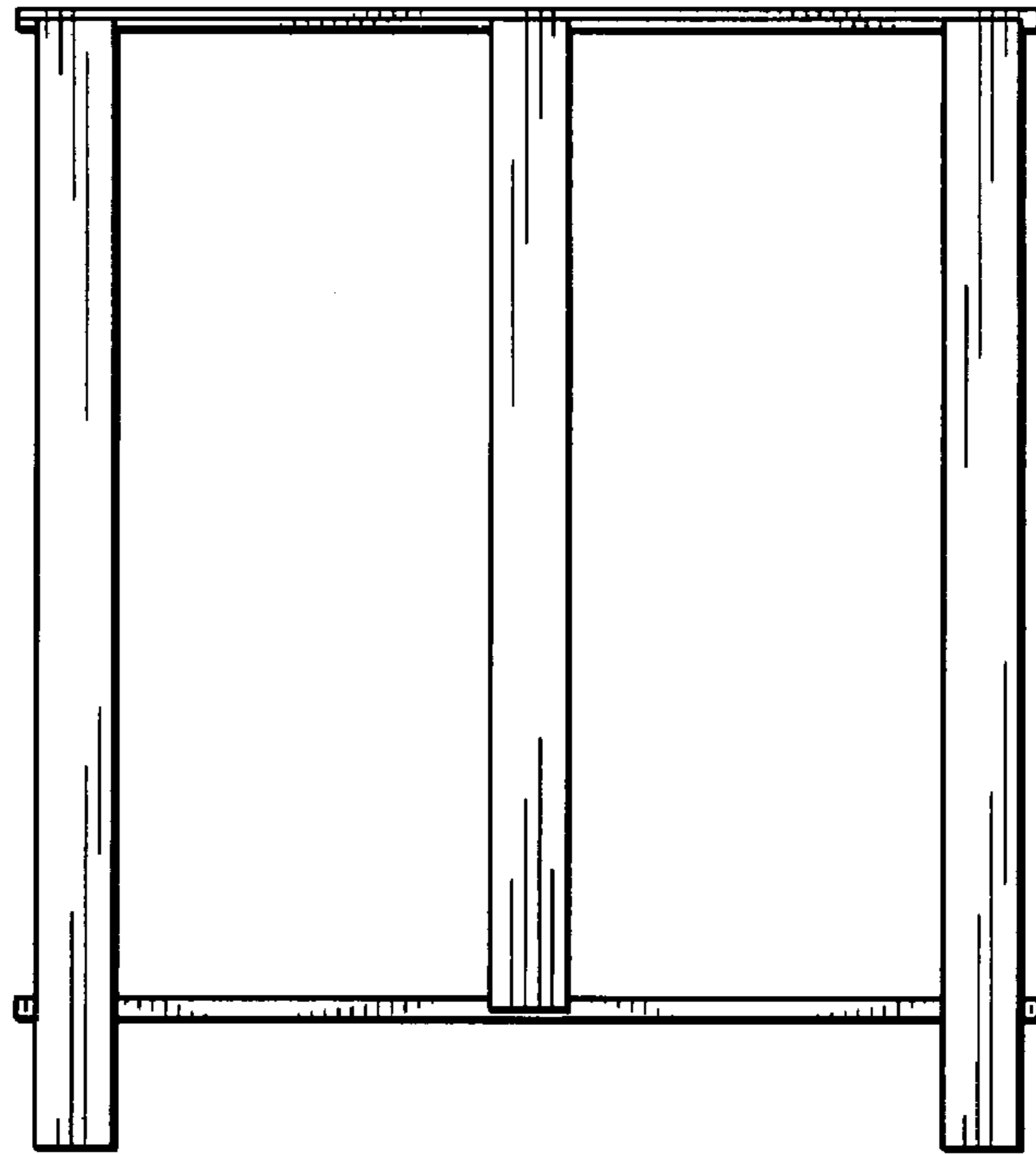


FIG. 4

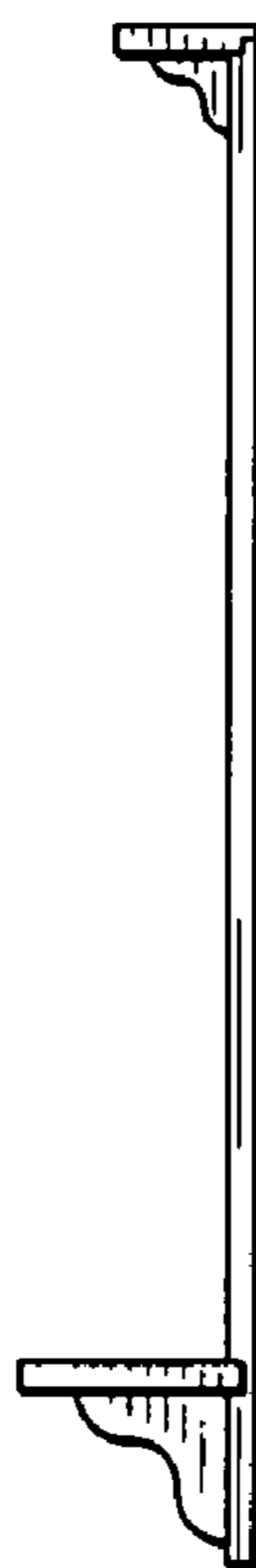


FIG. 5

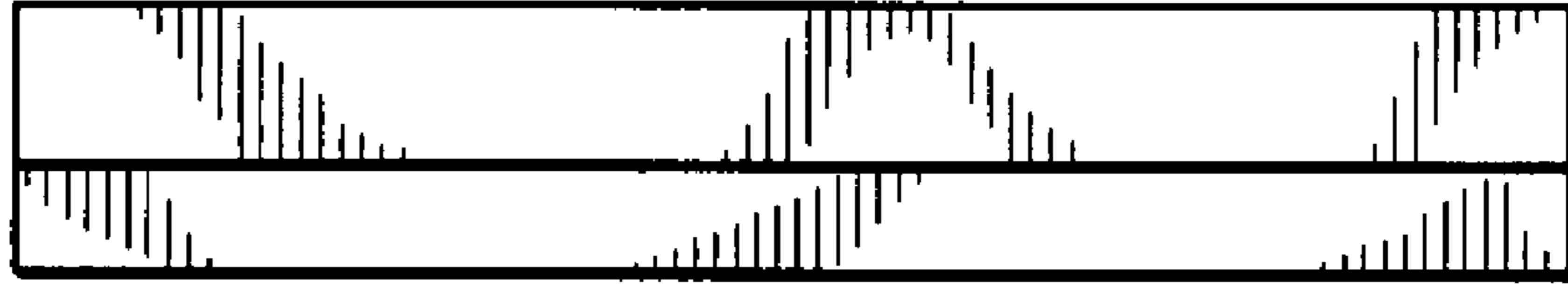


FIG. 6

