

US00D573387S

(12) **United States Design Patent**
Walker

(10) **Patent No.:** **US D573,387 S**

(45) **Date of Patent:** **** Jul. 22, 2008**

(54) **POLE CADDY**

(75) Inventor: **David Lamont Walker**, Chester, PA
(US)

(73) Assignee: **Zenith Products Corp.**, New Castle, DE
(US)

(**) Term: **14 Years**

(21) Appl. No.: **29/284,754**

(22) Filed: **Sep. 14, 2007**

(51) **LOC (8) Cl.** **23-02**

(52) **U.S. Cl.** **D6/525**

(58) **Field of Classification Search** D6/524,
D6/525, 329, 462, 468, 527, 569-570; 108/42,
108/59, 106, 180, 144.11, 147.11, 147.12,
108/147.15; 211/13.1, 85.12, 49.1, 71.01,
211/86.01, 87.01, 90.01, 90.03, 90.04, 126.14,
211/126.1, 112, 110, 106, 105.1, 88.01, 134,
211/153, 175, 207, 181.1, 182; 248/130,
248/142, 907

See application file for complete search history.

(56) **References Cited**

U.S. PATENT DOCUMENTS

D274,201 S *	6/1984	Aaron	D6/525
4,860,909 A *	8/1989	Leumi	248/907
D351,751 S *	10/1994	Brightbill et al.	D6/525
D388,642 S *	1/1998	Winter	D6/525
D417,991 S *	12/1999	Hofman et al.	D6/525
D419,020 S *	1/2000	Emery et al.	D6/562
D421,692 S *	3/2000	Wojtowicz et al.	D6/525
D421,867 S *	3/2000	Carville et al.	D6/562
D429,934 S *	8/2000	Hofman	D6/525
D443,162 S *	6/2001	Winter	D6/570

D475,561 S *	6/2003	Suero, Jr.	D6/525
6,688,238 B1 *	2/2004	Alexiou	108/42
D543,747 S *	6/2007	Harwanko	D6/525

OTHER PUBLICATIONS

- Photographic image, 1 page, Exhibit A.
- Photographic image, 1 page, Exhibit B.
- Photographic image, 1 page, Exhibit C.
- Photographic image, 1 page, Exhibit D.

* cited by examiner

Primary Examiner—Brian N Vinson

(74) *Attorney, Agent, or Firm*—Panitch Schwarze Belisario & Nadel LLP

(57) **CLAIM**

The ornamental design for a pole caddy, as shown and described.

DESCRIPTION

FIG. 1 is a front right perspective view of a pole caddy in accordance with my new design;

FIG. 2 is a front elevation view of the pole caddy shown in FIG. 1;

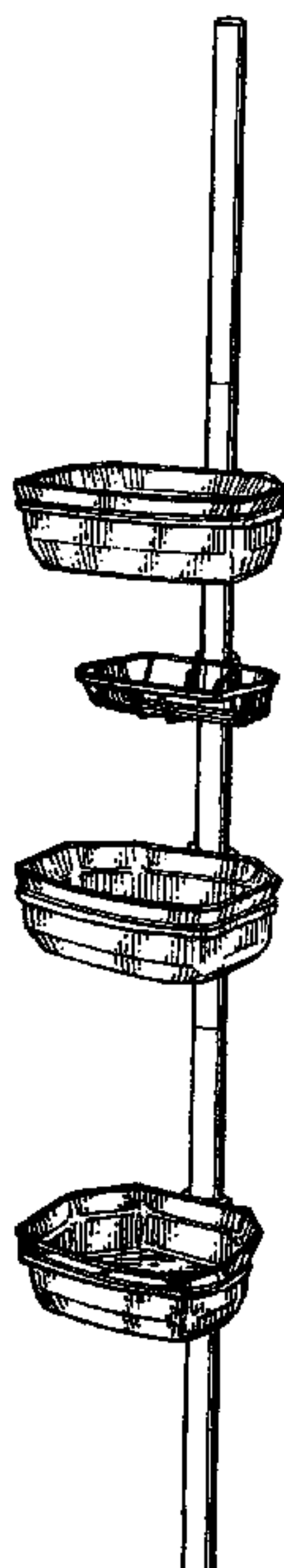
FIG. 3 is a rear elevation view of the pole caddy shown in FIG. 1;

FIG. 4 is a right side elevation view of the pole caddy shown in FIG. 1, with the left side elevation view being a mirror image;

FIG. 5 is a top plan view of the pole caddy shown in FIG. 1; and,

FIG. 6 is a bottom plan view of the pole caddy shown in FIG. 1.

1 Claim, 5 Drawing Sheets



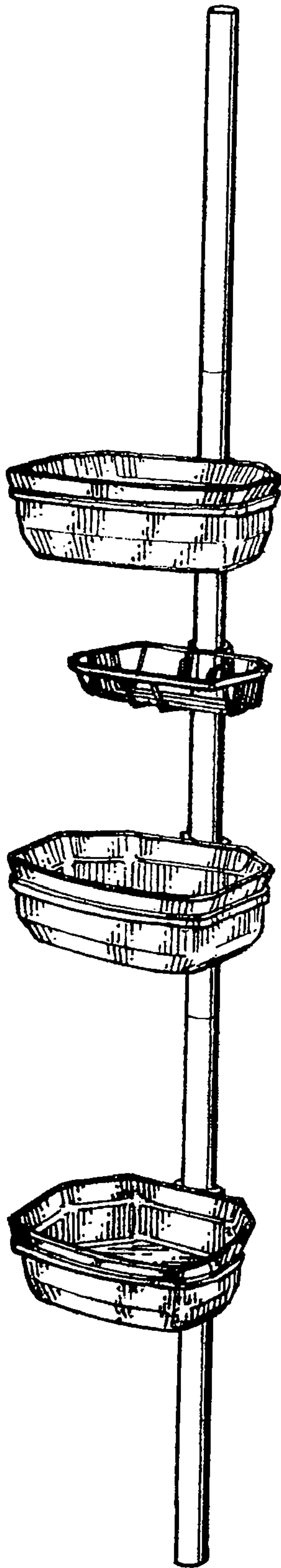


FIG. 1

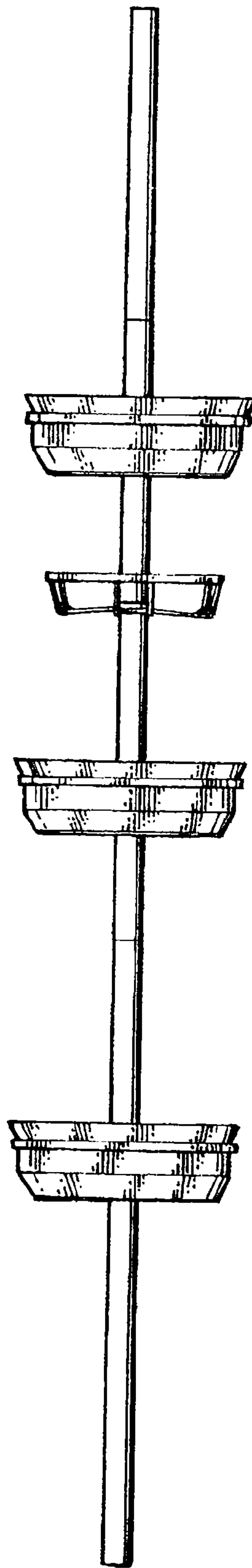


FIG. 2

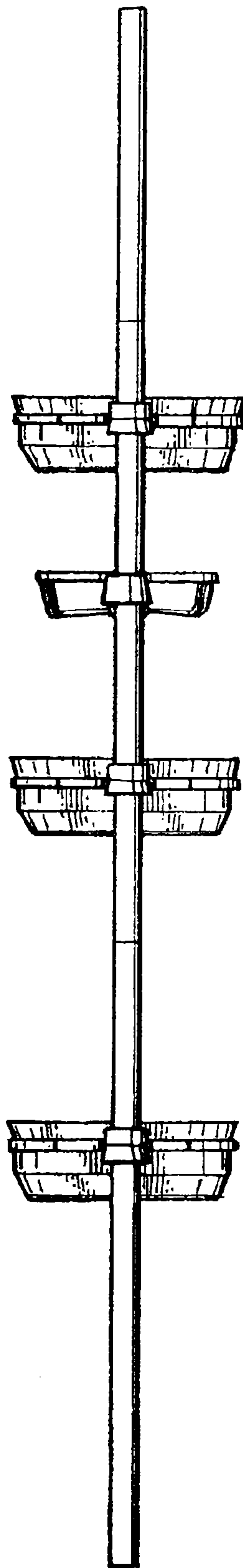


FIG. 3

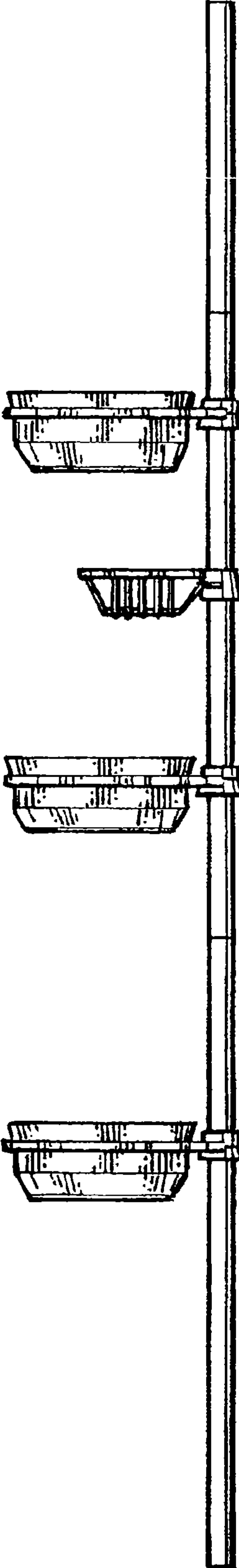


FIG. 4

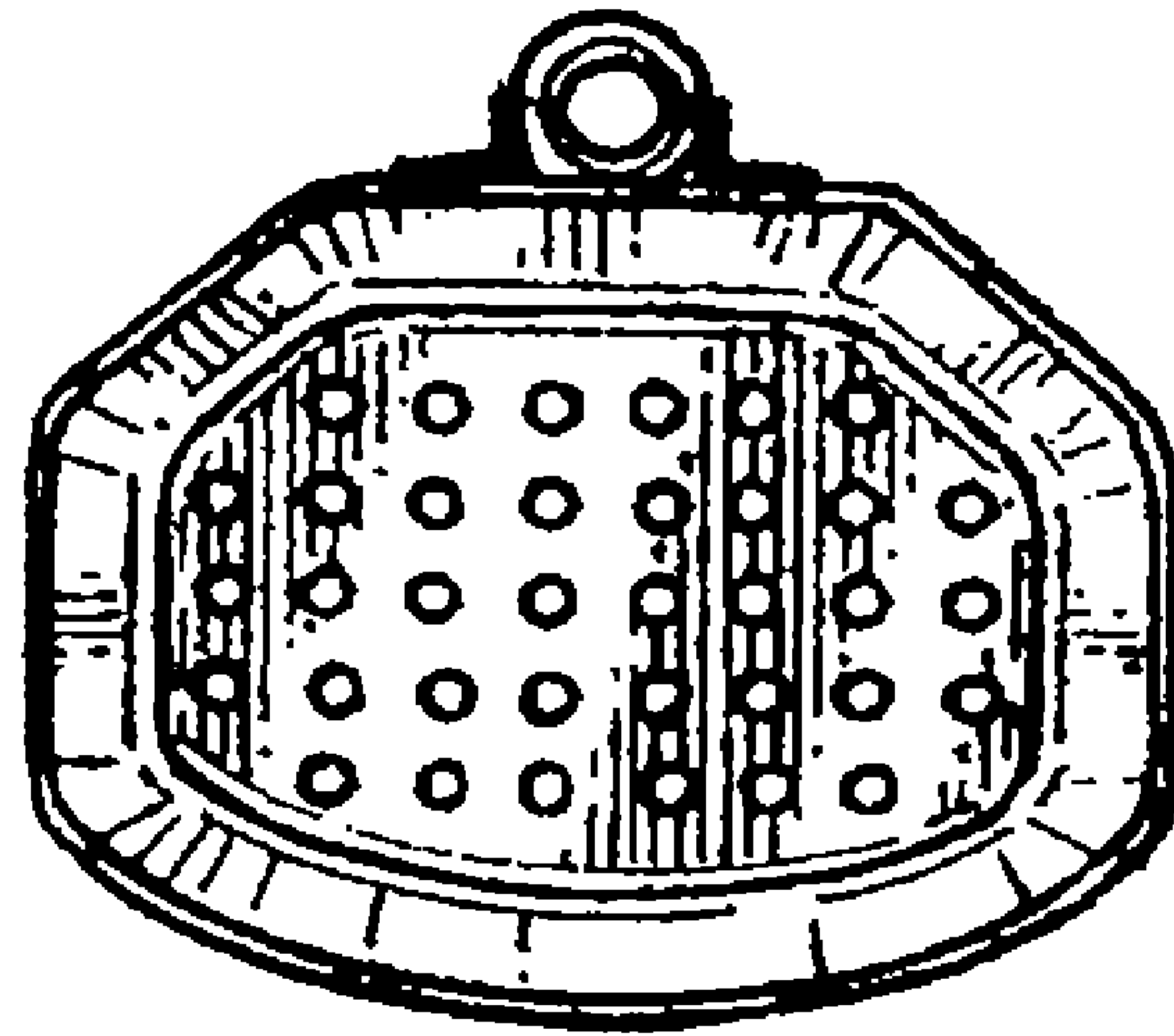


FIG. 5

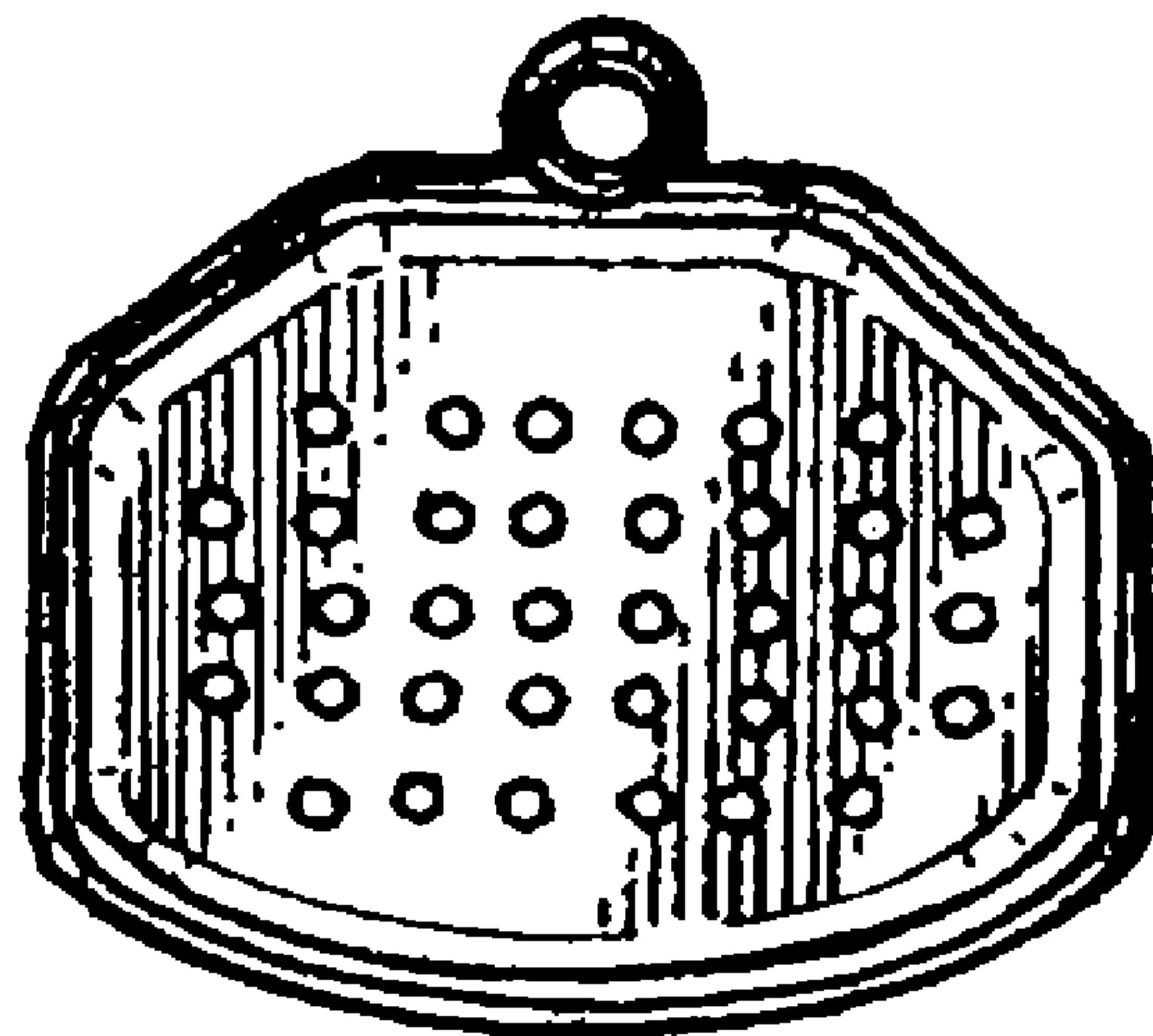


FIG. 6