



US00D573385S

(12) **United States Design Patent**
Guo et al.

(10) **Patent No.:** **US D573,385 S**
(45) **Date of Patent:** **** Jul. 22, 2008**

(54) **BATH ACCESSORY BASE**
(75) Inventors: **Ying Guo**, Taichung (TW); **Xinghua Sun**, Taichung (TW); **Fenyong Nan**, Taichung (TW)

D431,948 S * 10/2000 Chen D6/524
D497,751 S * 11/2004 Roberts et al. D6/524
D498,098 S * 11/2004 Chen D6/524
D499,290 S * 12/2004 Lai D6/524
D544,266 S * 6/2007 Wu D6/524

(73) Assignee: **Globe Union Industrial Corp.**, Taichung (TW)

* cited by examiner

(**) Term: **14 Years**

Primary Examiner—Brian N Vinson

(21) Appl. No.: **29/248,259**

(74) *Attorney, Agent, or Firm*—Leong C. Lei

(22) Filed: **Aug. 7, 2006**

(57) **CLAIM**

The ornamental design for a bath accessory base, as shown and described.

(51) **LOC (8) Cl.** **23-02**

DESCRIPTION

(52) **U.S. Cl.** **D6/524; D6/550**

(58) **Field of Classification Search** D6/515–524,
D6/548–550; D8/300, 303, 315–321, 349,
D8/354, 363, 373, 380; 108/28–29; 211/13.1,
211/16, 60.1, 100, 86.01, 87.01, 88.01, 88.04,
211/105.1–105.2, 123, 182, 181.1; 248/176,
248/176.1, 251, 302, 309.1; 16/110.1, 412,
16/415; 242/570, 590, 595–598

FIG. 1 is a perspective view of a bath accessory base showing my new design;

FIG. 2 is a front elevational view thereof;

FIG. 3 is a left elevational view thereof;

FIG. 4 is a right side elevational view thereof;

FIG. 5 is a top plan view thereof;

FIG. 6 is a bottom plan view thereof; and,

FIG. 7 is another front perspective view thereof, with a towel ring engaged.

The dotted line showing of the towel ring is for illustrative purposes only and forms no part of the claimed design.

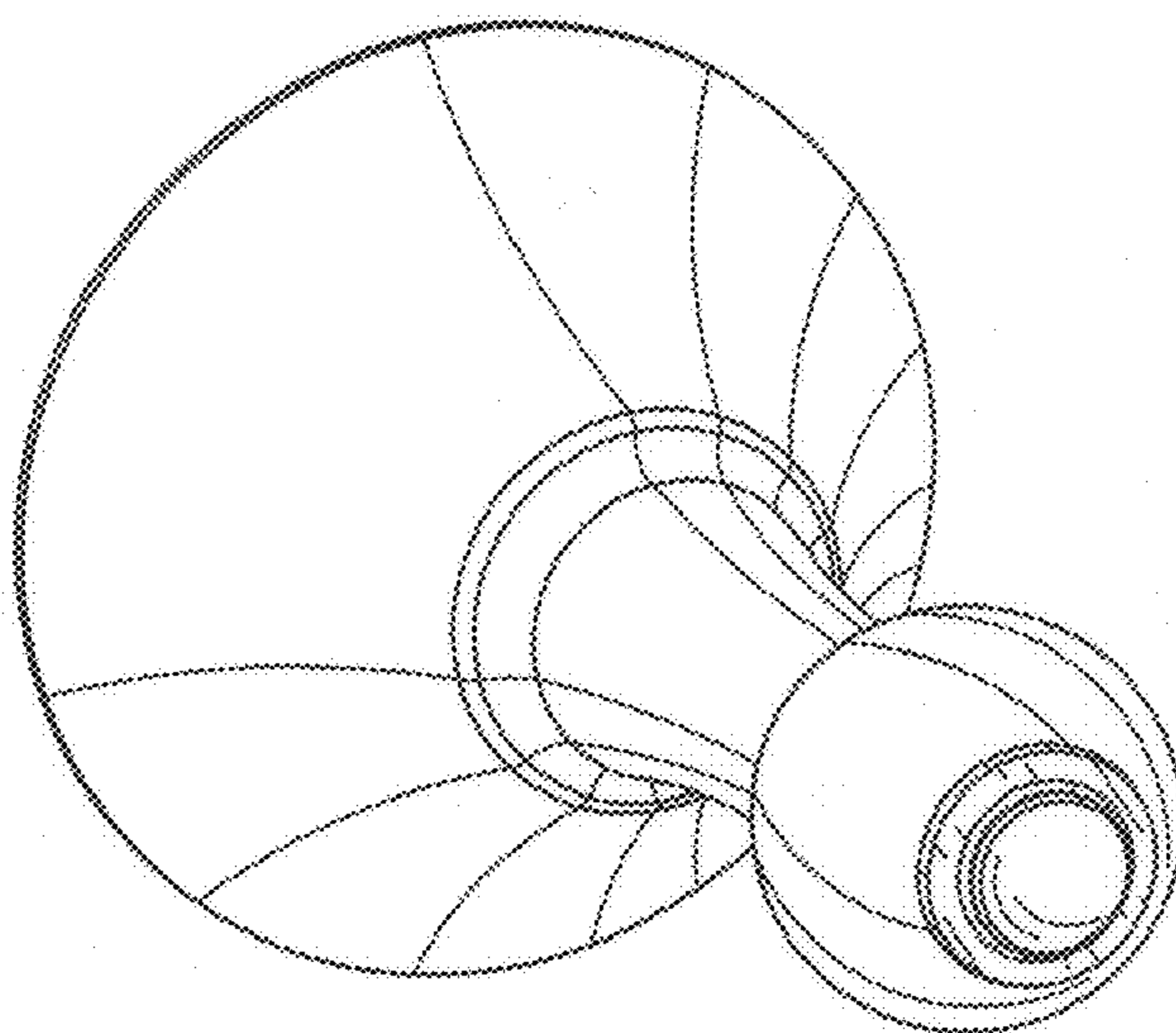
See application file for complete search history.

(56) **References Cited**

U.S. PATENT DOCUMENTS

D337,230 S * 7/1993 Wang D6/550
D390,397 S * 2/1998 Chen D6/550
D424,354 S * 5/2000 Duggan D6/550

1 Claim, 7 Drawing Sheets



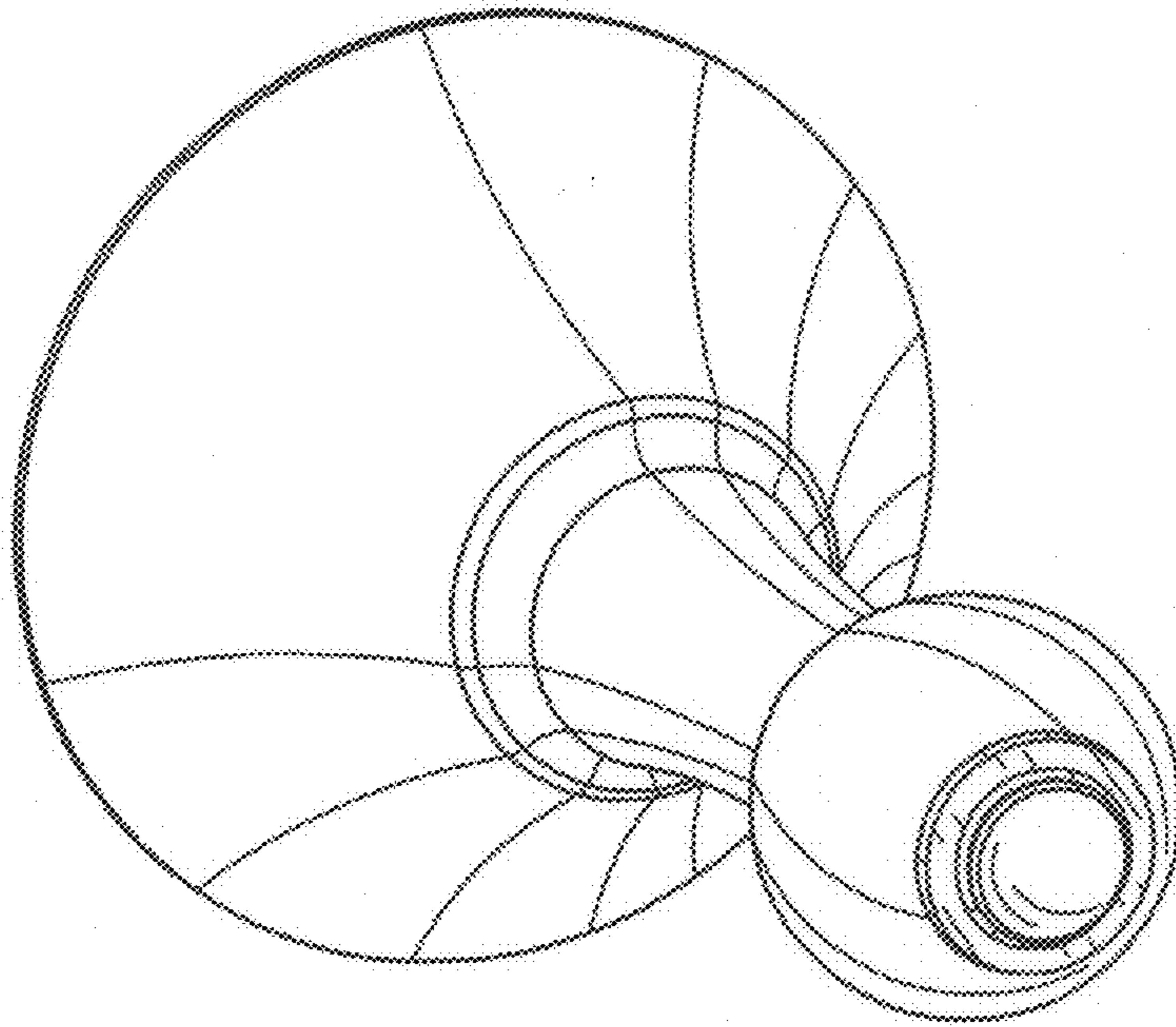


FIG. 1

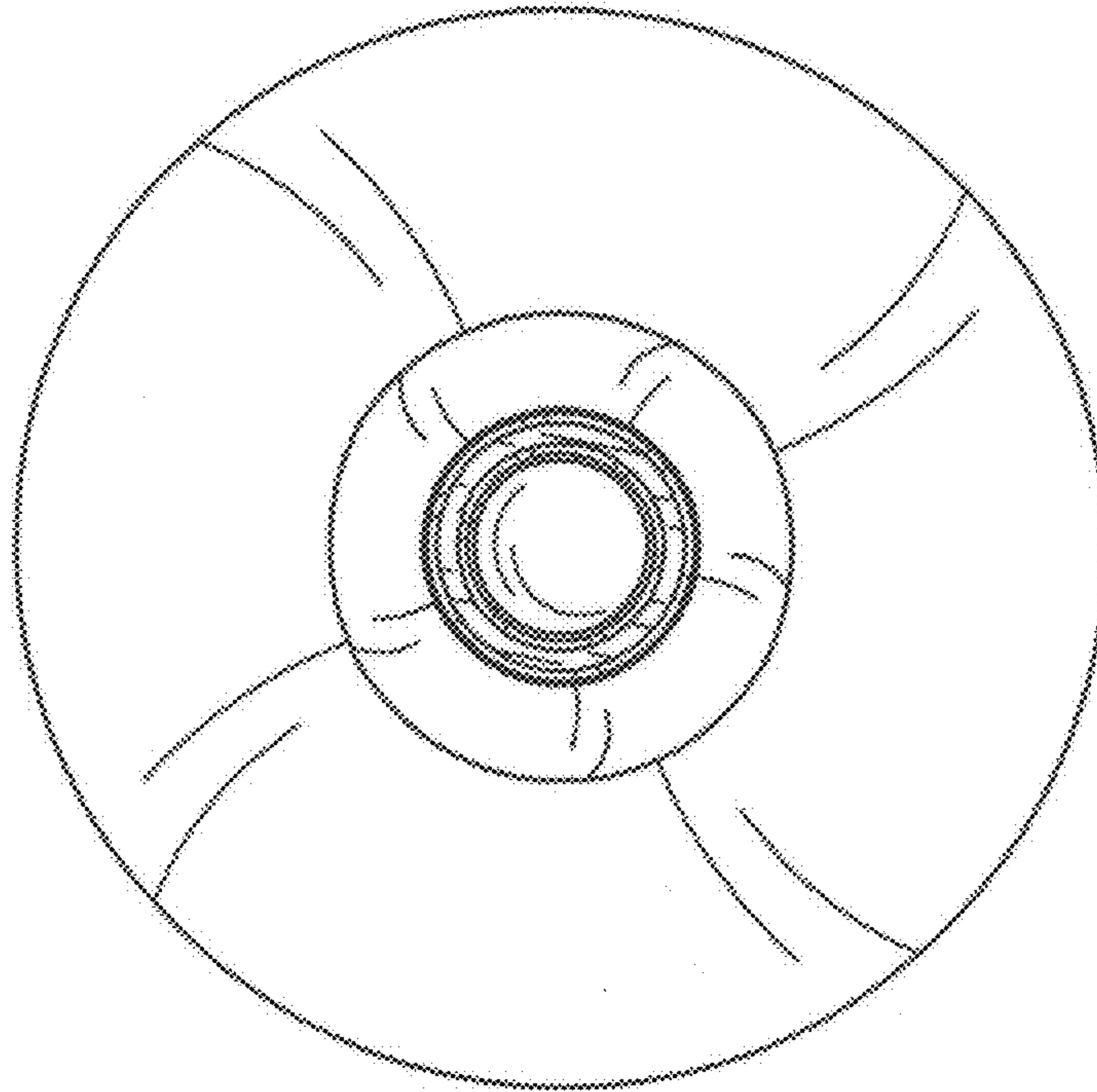


FIG. 2

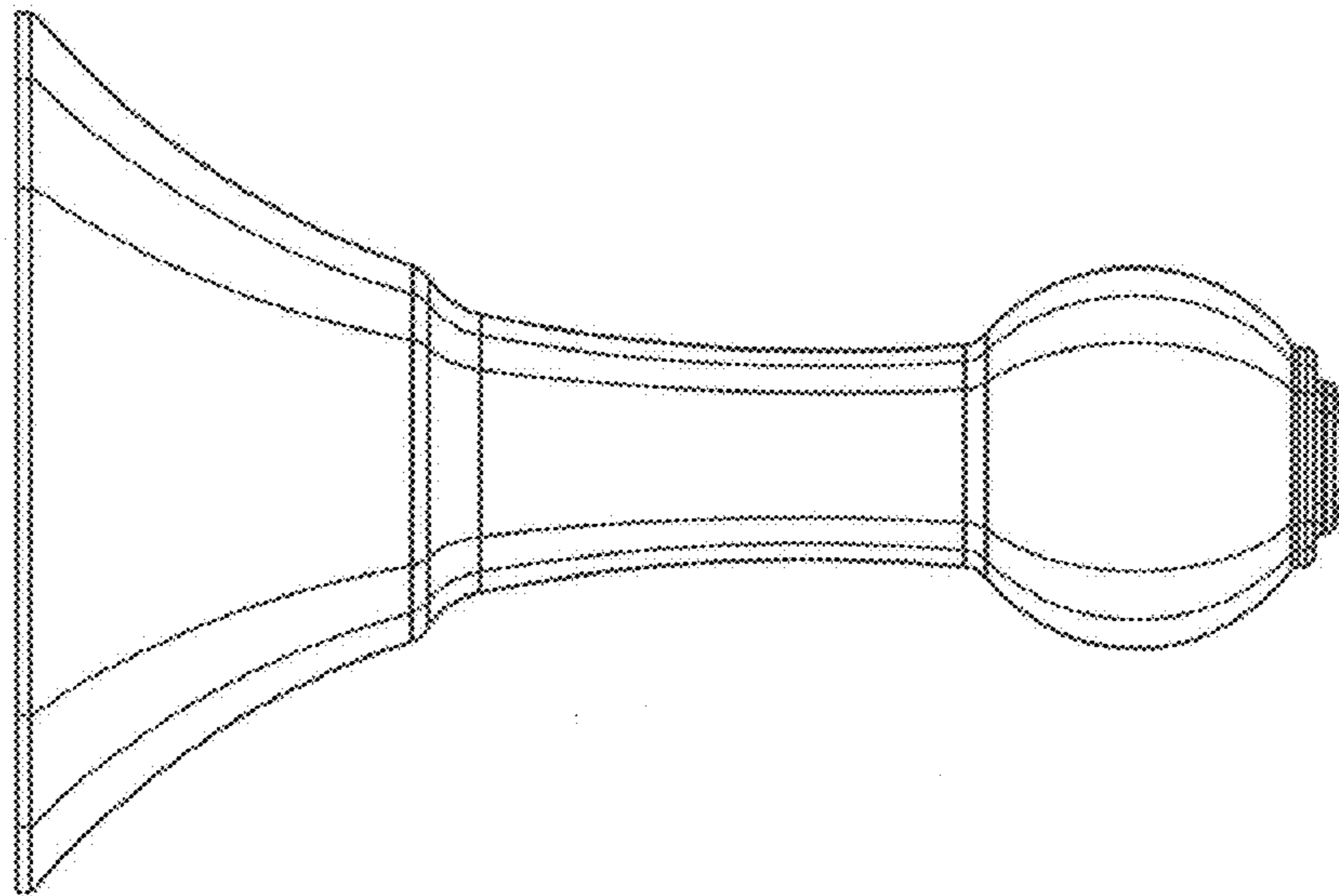


FIG. 3

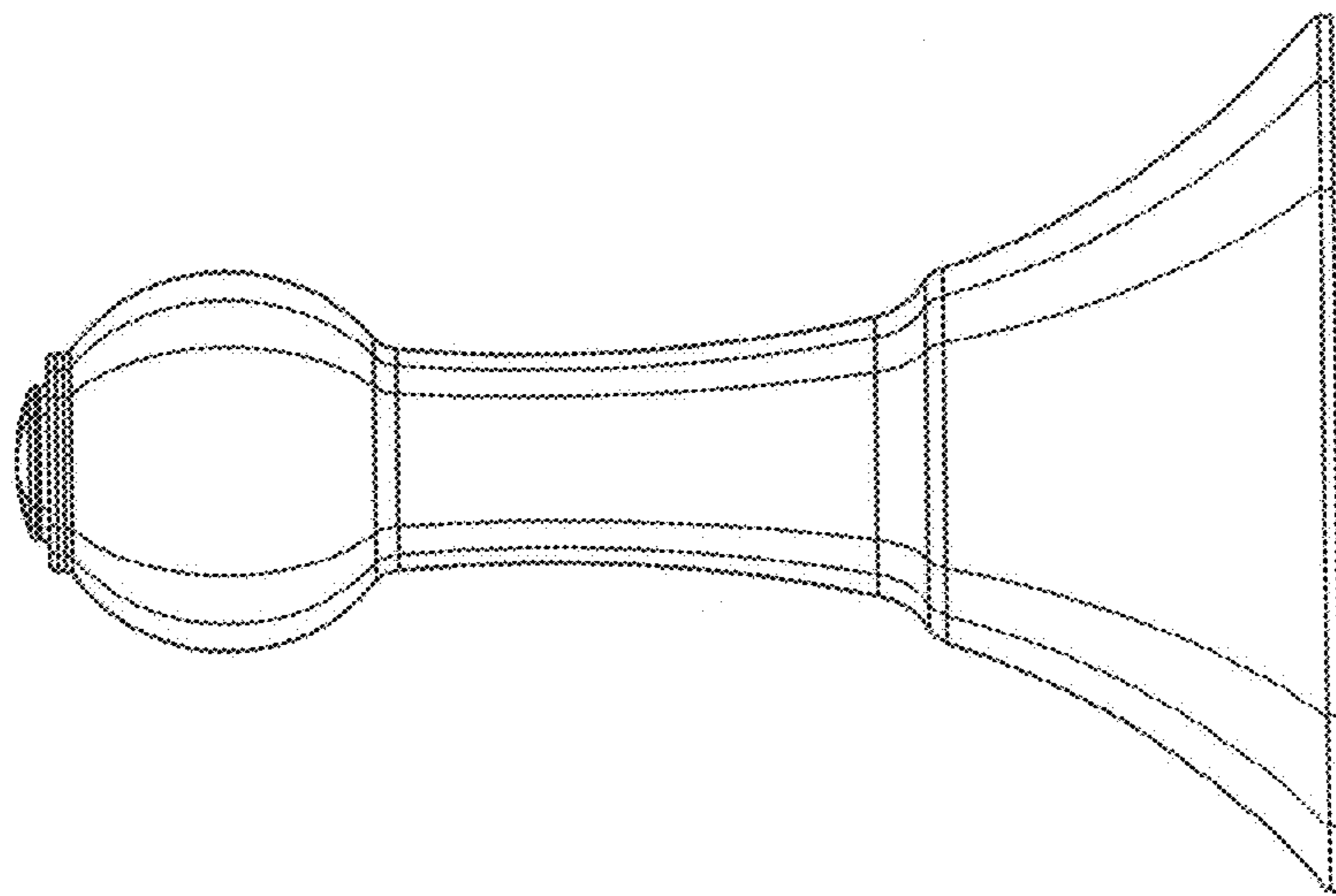


FIG. 4

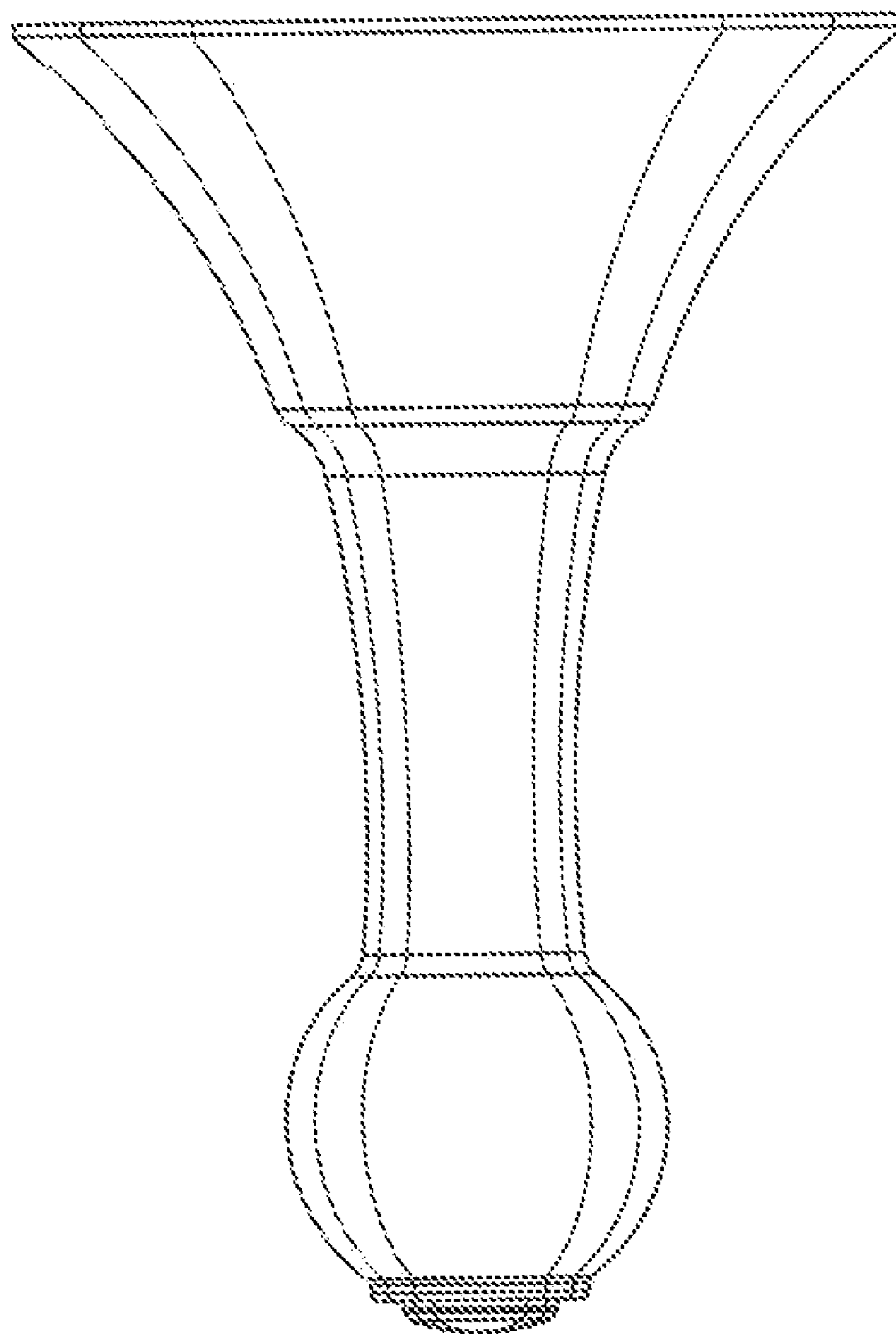


FIG. 5

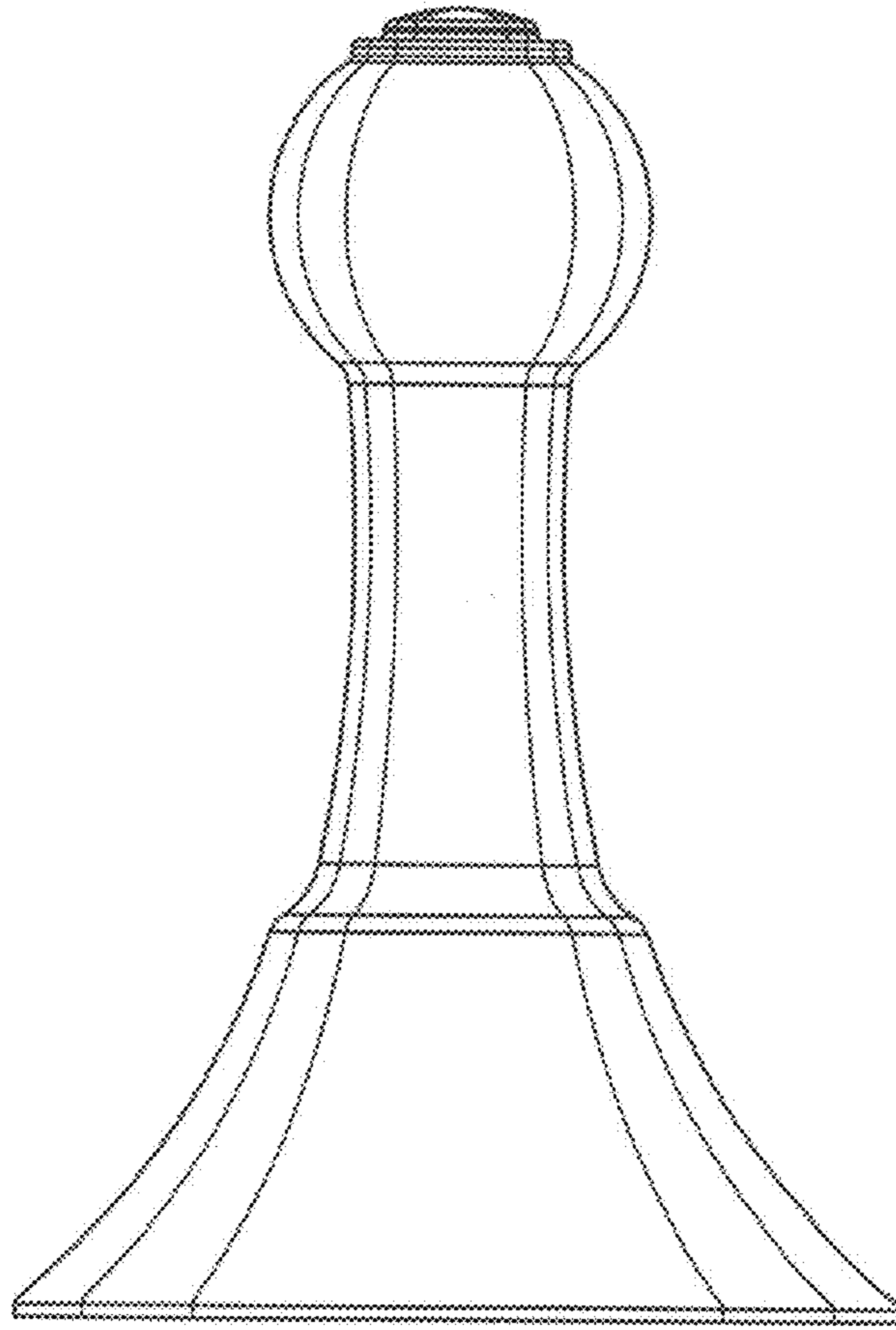


FIG. 6

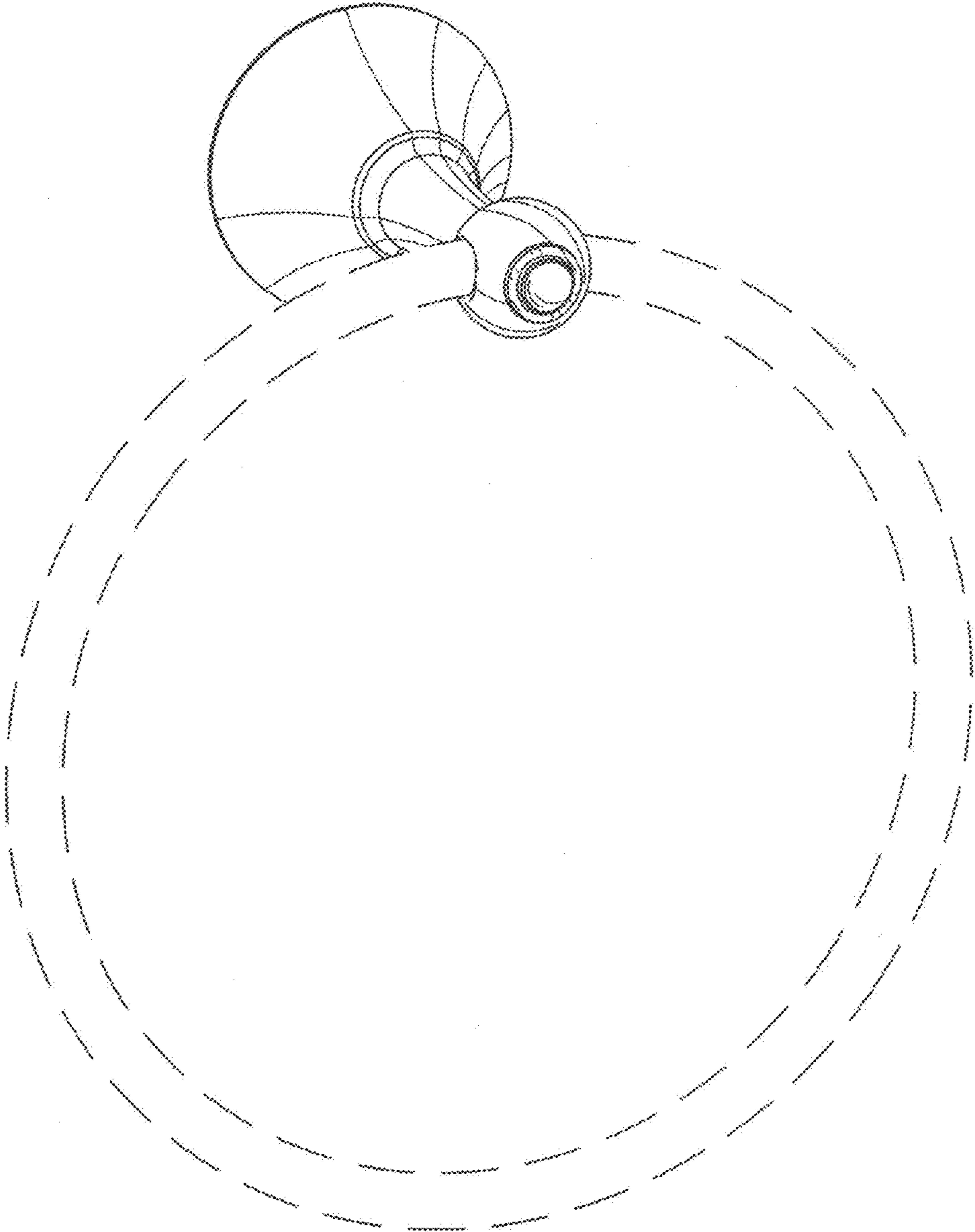


FIG. 7