



US00D573384S

(12) **United States Design Patent**  
**Domack et al.**

(10) **Patent No.:** **US D573,384 S**  
(45) **Date of Patent:** **\*\* Jul. 22, 2008**

(54) **DINING TABLE**

(75) Inventors: **Randy D. Domack**, Trempealeau, WI (US); **Terry A. Everson**, Blair, WI (US)

(73) Assignee: **Ashley Furniture Industries, Inc.**, Arcadia, WI (US)

(\*\*) Term: **14 Years**

(21) Appl. No.: **29/266,271**

(22) Filed: **Sep. 18, 2006**

(51) **LOC (8) Cl.** ..... **06-06**

(52) **U.S. Cl.** ..... **D6/511**

(58) **Field of Classification Search** ..... D6/480-489,  
D6/495-499, 511, 477; 108/150, 151, 153.1,  
108/155, 156, 157.1, 161; 248/188, 188.1,  
248/188.7, 188.8

See application file for complete search history.

(56) **References Cited**

**U.S. PATENT DOCUMENTS**

D82,156 S *	9/1930	Holloway	.....	D6/349
D133,624 S *	9/1942	Hollander	.....	D6/480
D171,620 S *	3/1954	Roth	.....	D6/430
D283,382 S *	4/1986	Goldsmith	.....	D6/511
D353,286 S *	12/1994	Hand	.....	D6/480
D388,979 S *	1/1998	Walters et al.	.....	D6/480
D445,610 S *	7/2001	O'Hare et al.	.....	D6/484
D455,579 S *	4/2002	Vaaler	.....	D6/480
D463,164 S *	9/2002	Davis	.....	D6/480
D486,329 S *	2/2004	Strong et al.	.....	D6/487
D501,103 S *	1/2005	Ashby et al.	.....	D6/480

**OTHER PUBLICATIONS**

Ashley Catalog Photograph, "Newhouse", D208-15-01-74, vol. 7, Series 1, Spring 2005, p. 208.

Ashley Catalog Photograph, "Carlyle", D371-35-01(6)-60-61, vol. 7, Series 1, Spring 2005, p. 166.

Ashley Catalog Photograph, "Carlyle", D371-32-224(6), vol. 7, Series 1, Spring 2005, p. 166.

Ashley Catalog Photograph, "Newhouse", D208-35-01(4)-74, vol. 7, Series 1, Spring 2005, p. 208.

Ashley Catalog Photograph, "Newhouse", D208-25-01-(4)-74, vol. 7, Series 1, Spring 2005, p. 208.

\* cited by examiner

*Primary Examiner*—Janice E Seeger

(74) *Attorney, Agent, or Firm*—Patterson, Thunte, Skaar & Christensen, P.A.

(57) **CLAIM**

We claim the ornamental design for a dining table, as shown and described.

**DESCRIPTION**

FIG. 1 is a perspective view of a dining table according to an embodiment of the invention.

FIG. 2 is an overhead view of a dining table according to an embodiment of the invention.

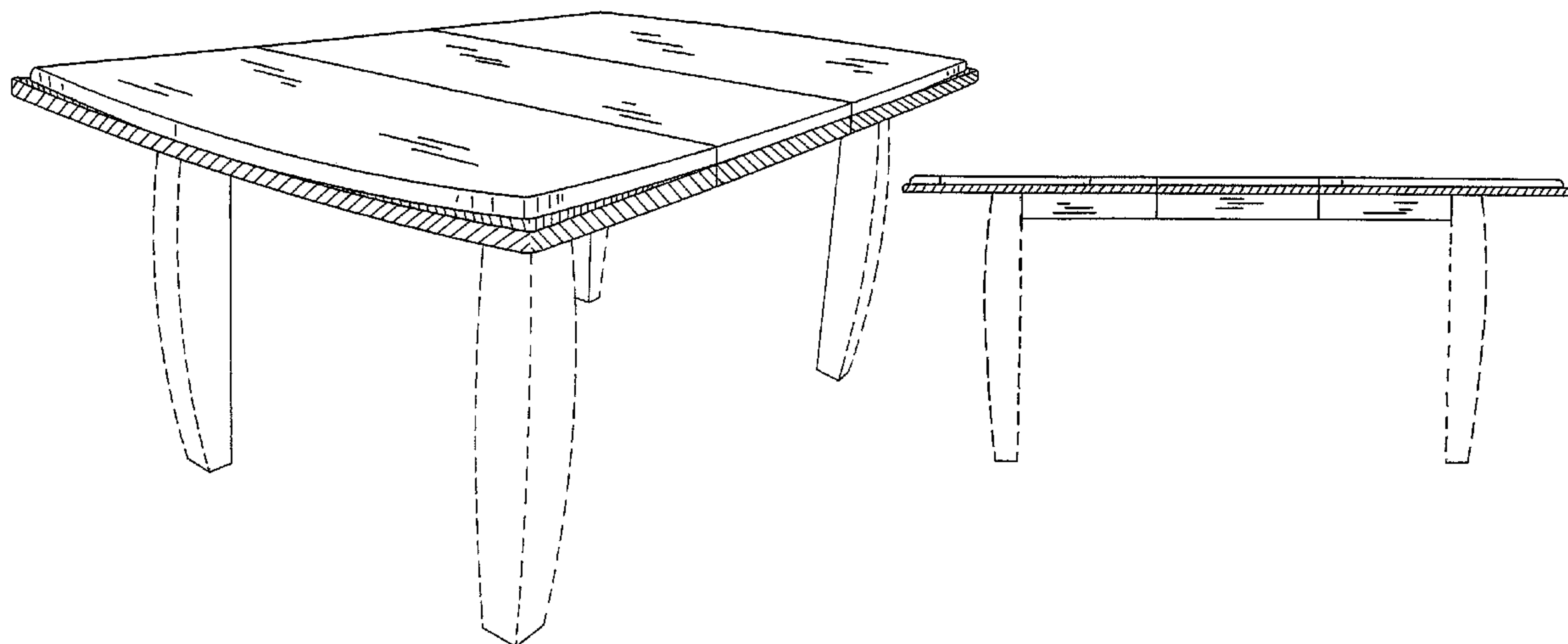
FIG. 3 is a side view of a dining table according to an embodiment of the invention, the view from the opposite side being a mirror-image thereof; and,

FIG. 4 is an end view of a dining table according to an embodiment of the invention, the view from the opposite end being a mirror-image thereof.

The dashed lines showing portions of the table legs are for illustrative purposes only and form no part of the claimed design.

The shading on the table edge illustrates a contrasting color visually darker than the balance of the table.

**1 Claim, 3 Drawing Sheets**



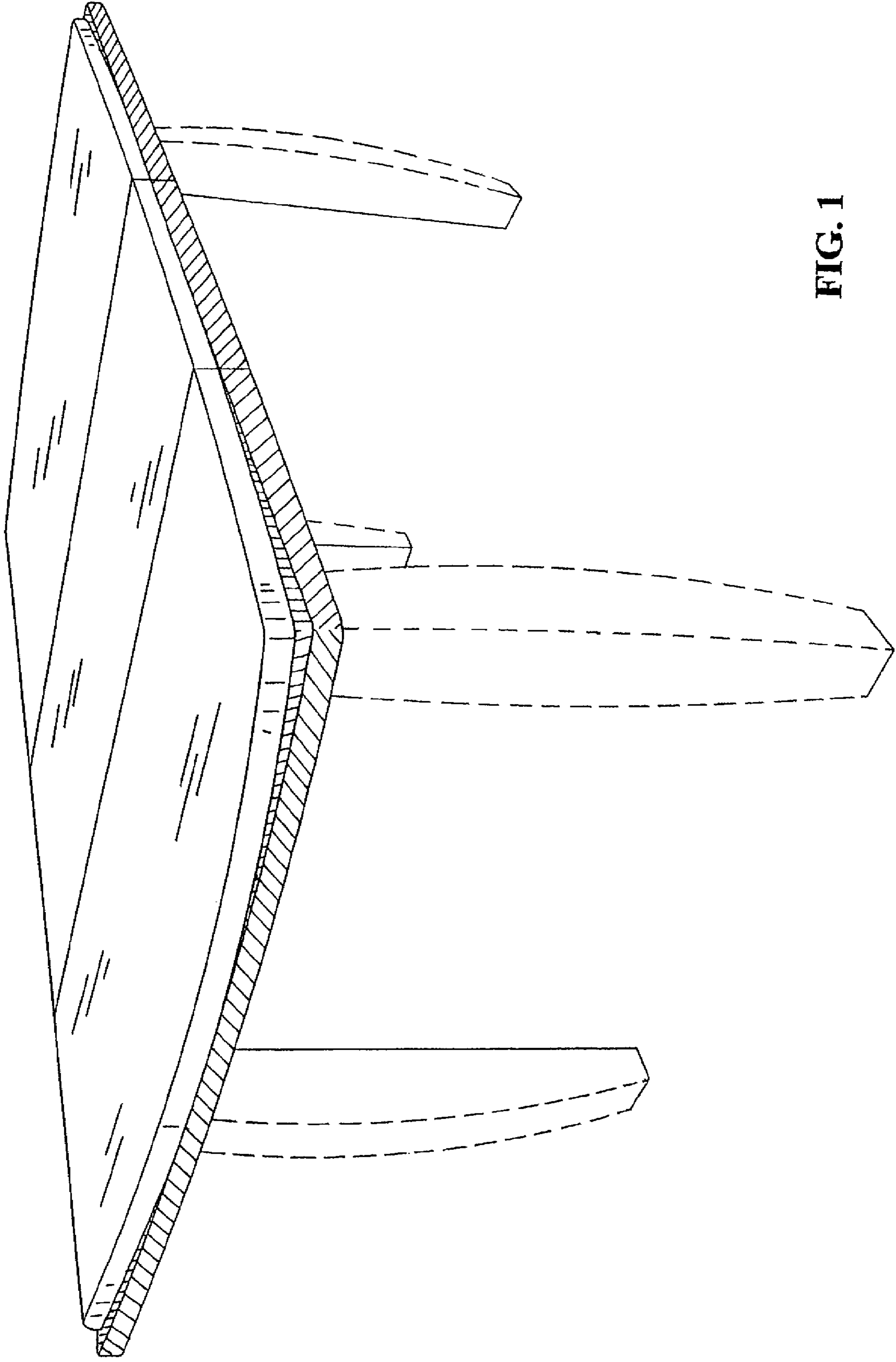


FIG. 1

FIG. 2

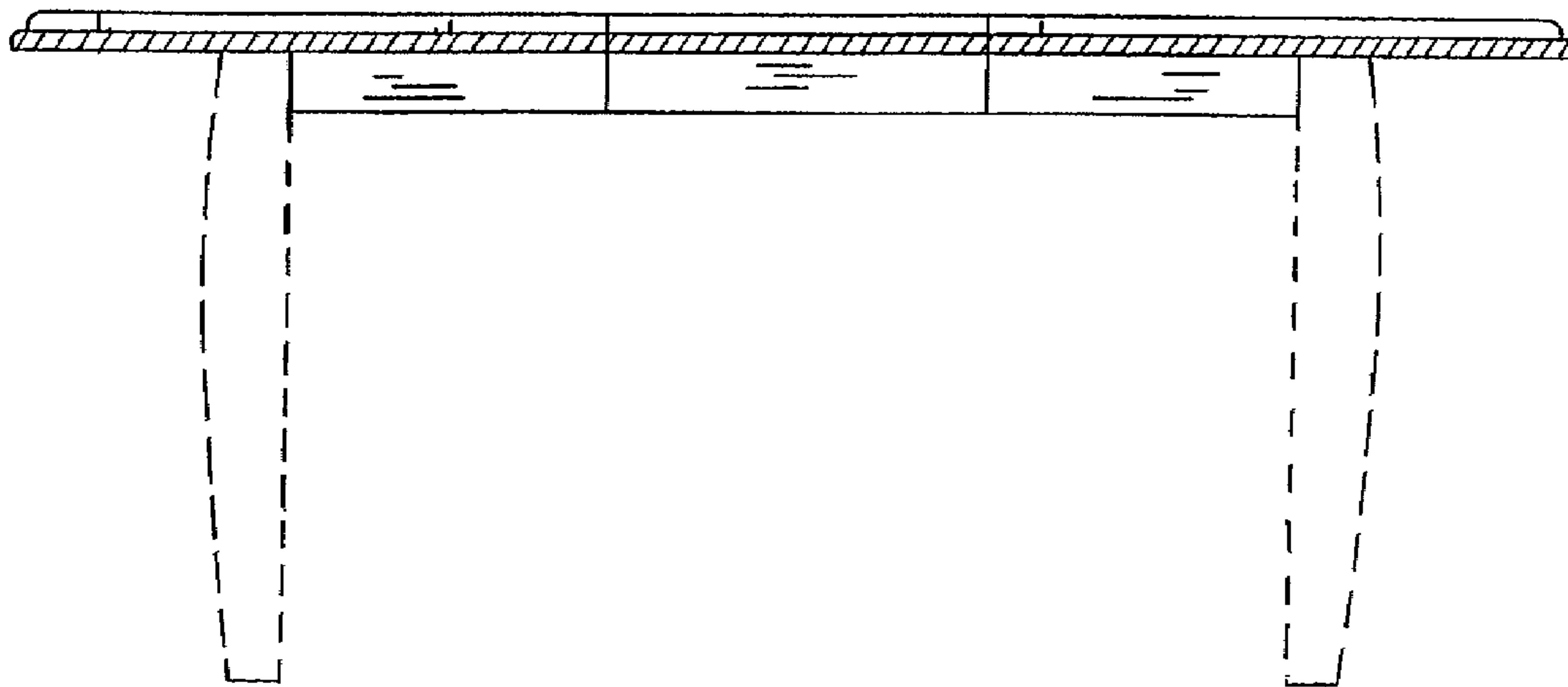
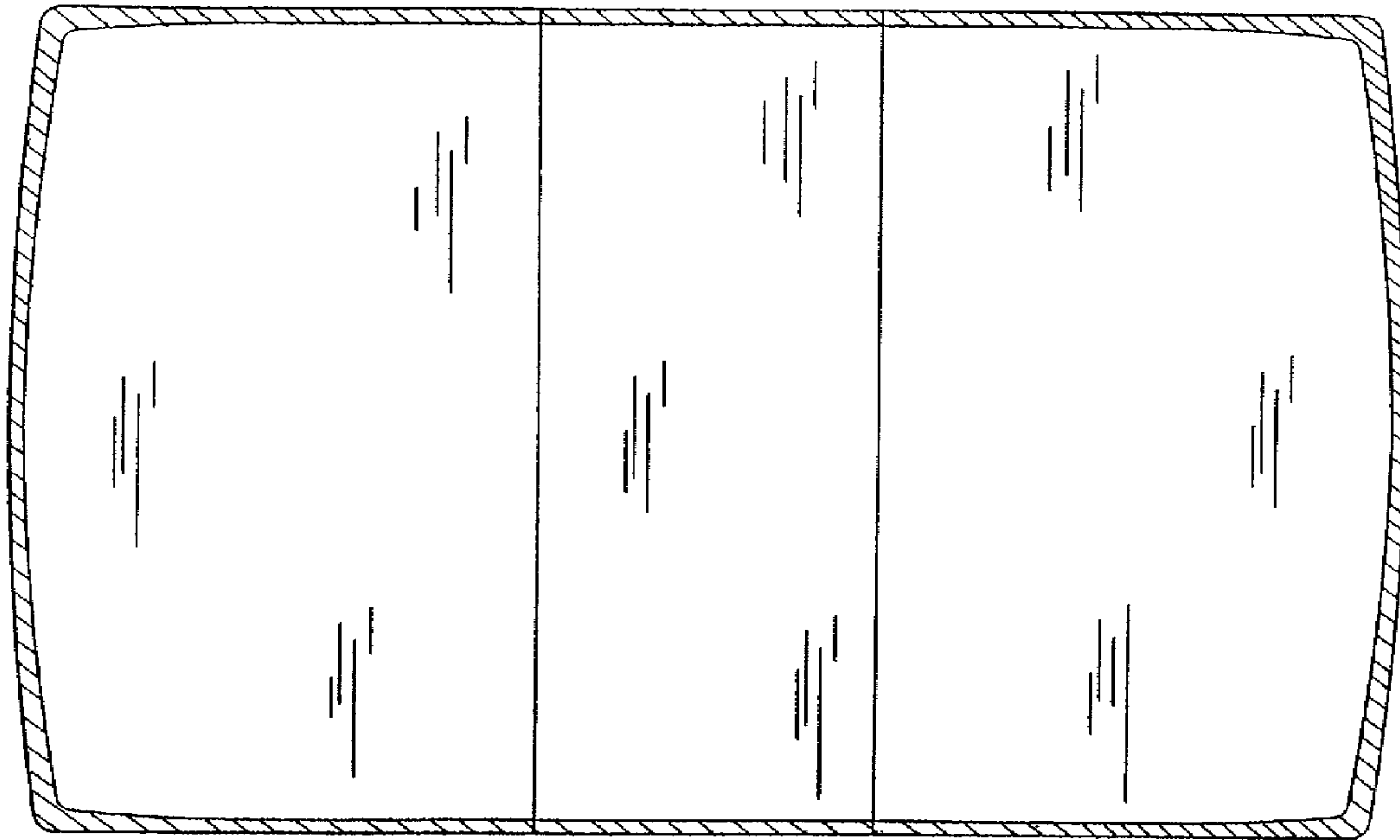


FIG. 3

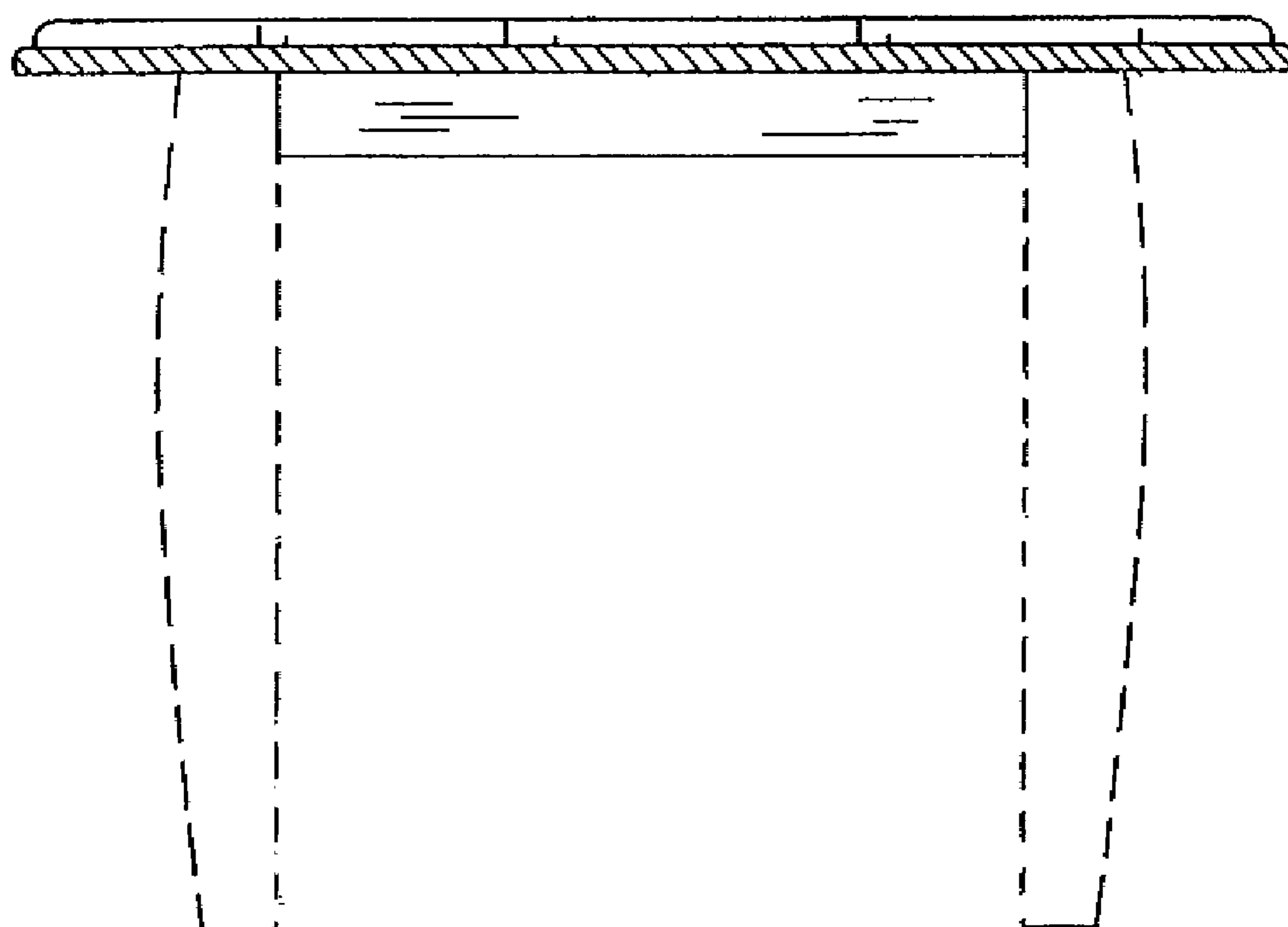


FIG. 4