



US00D573383S

(12) **United States Design Patent**  
**Huang**

(10) **Patent No.:** **US D573,383 S**

(45) **Date of Patent:** **\*\* Jul. 22, 2008**

(54) **CABINET PANEL**

(75) Inventor: **Ching-Dar Huang**, Kaohsiung (TW)

(73) Assignee: **Ofisworld Co., Ltd.**, Kaohsiung (TW)

(\*\*) Term: **14 Years**

(21) Appl. No.: **29/295,404**

(22) Filed: **Sep. 28, 2007**

(51) **LOC (8) Cl.** ..... **06-06**

(52) **U.S. Cl.** ..... **D6/510**

(58) **Field of Classification Search** ..... D3/307,  
D3/319; D6/432, 436, 441, 445-446, 448,  
D6/509-511; D32/25; 312/109, 199, 204,  
312/330.1, 348.4

See application file for complete search history.

(56) **References Cited**

**U.S. PATENT DOCUMENTS**

D417,806 S	*	12/1999	Zaidman	.....	D6/510
D483,206 S	*	12/2003	Schweikarth	.....	D6/510
D492,507 S	*	7/2004	Moon et al.	.....	D6/446
D506,086 S	*	6/2005	Cassell	.....	D6/441
D506,870 S	*	7/2005	Uihlein et al.	.....	D3/307
D516,848 S	*	3/2006	Schweikarth	.....	D6/510
D534,354 S	*	1/2007	Carbone	.....	D3/319

\* cited by examiner

*Primary Examiner*—Caron D. Veynar

*Assistant Examiner*—Ricky Pham

(74) *Attorney, Agent, or Firm*—Alan Kamrath; Kamrath & Associates PA

(57) **CLAIM**

The ornamental design for a cabinet panel, as shown and described.

**DESCRIPTION**

FIG. 1 is a perspective view of a cabinet panel showing my new design; shown separately for ease of illustration;

FIG. 2 is a right side elevational view thereof;

FIG. 3 is a top plan view thereof;

FIG. 4 is a front elevational view thereof;

FIG. 5 is a bottom plan view thereof;

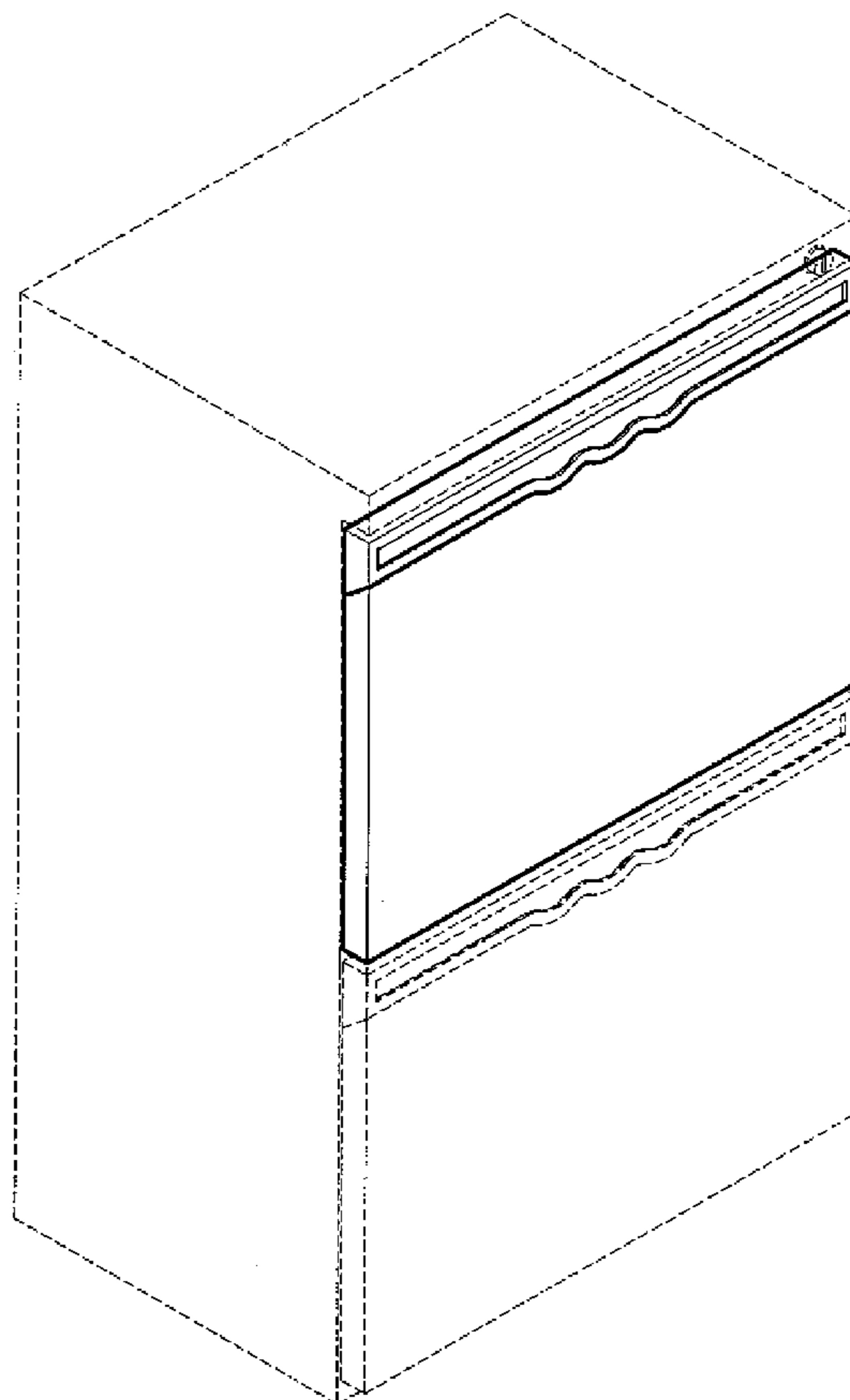
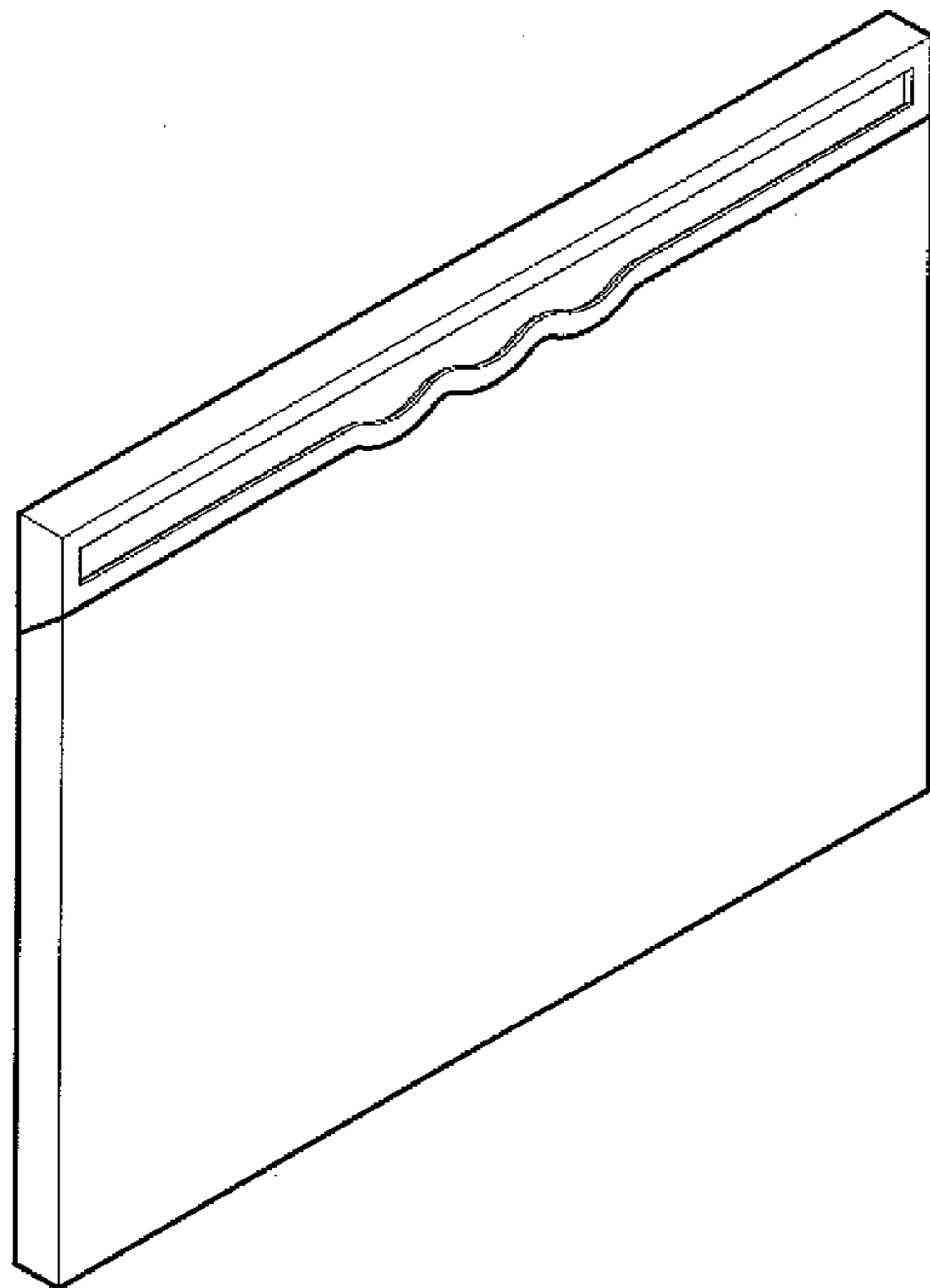
FIG. 6 is a left side elevational view thereof;

FIG. 7 is a rear elevational view thereof; and,

FIG. 8 is a perspective view thereof in application to a cabinet.

The broken lines shown in FIG. 8 are for illustrative purposes only and form no part of the claimed design.

**1 Claim, 5 Drawing Sheets**



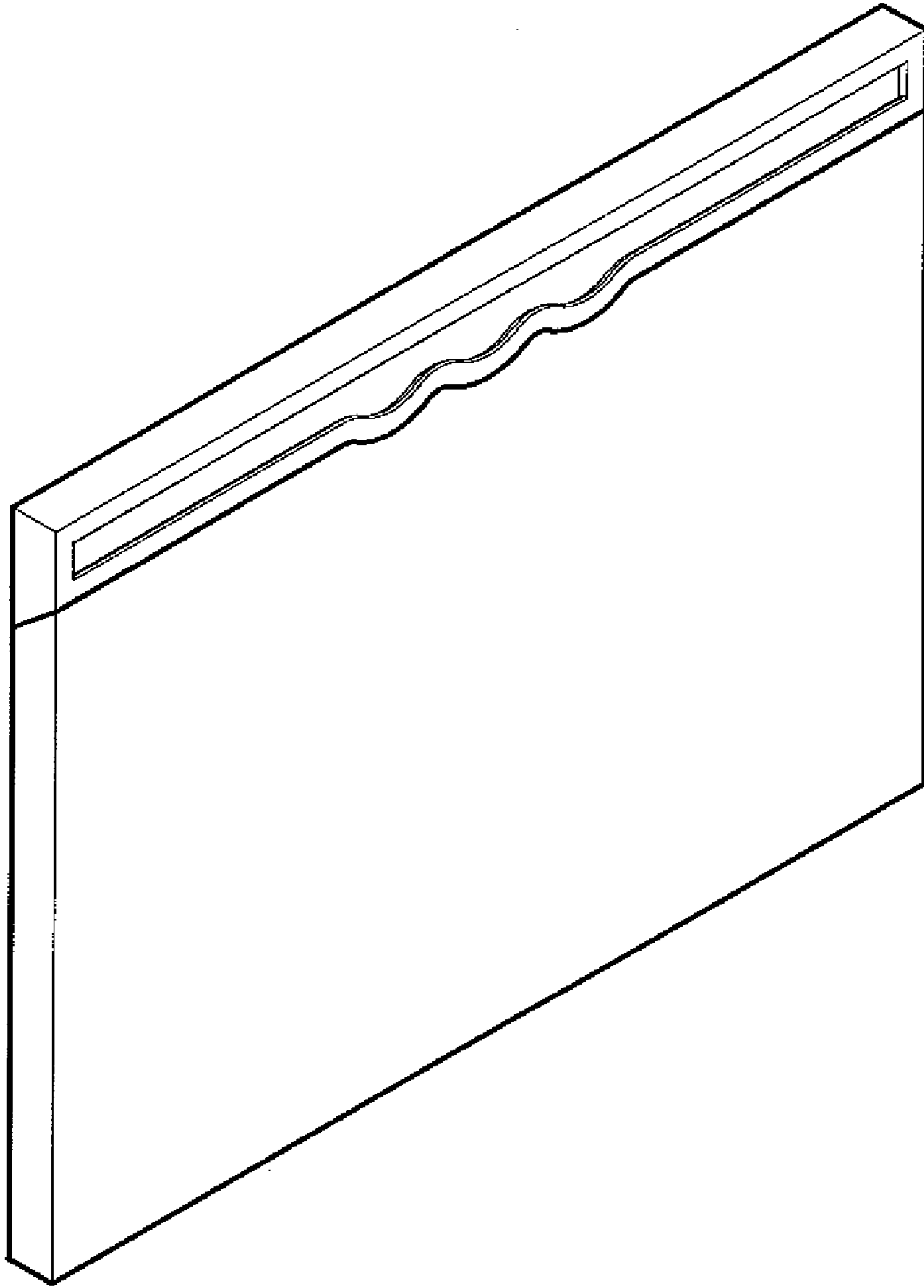


FIG. 1

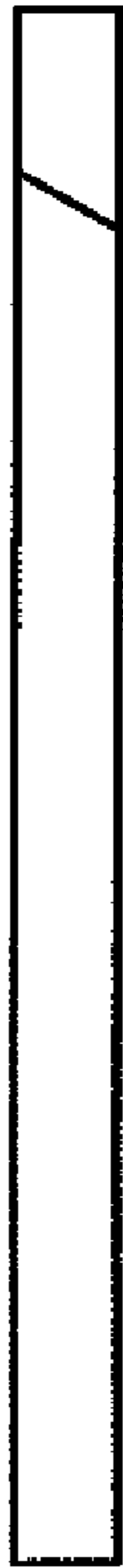


FIG. 2



FIG. 3

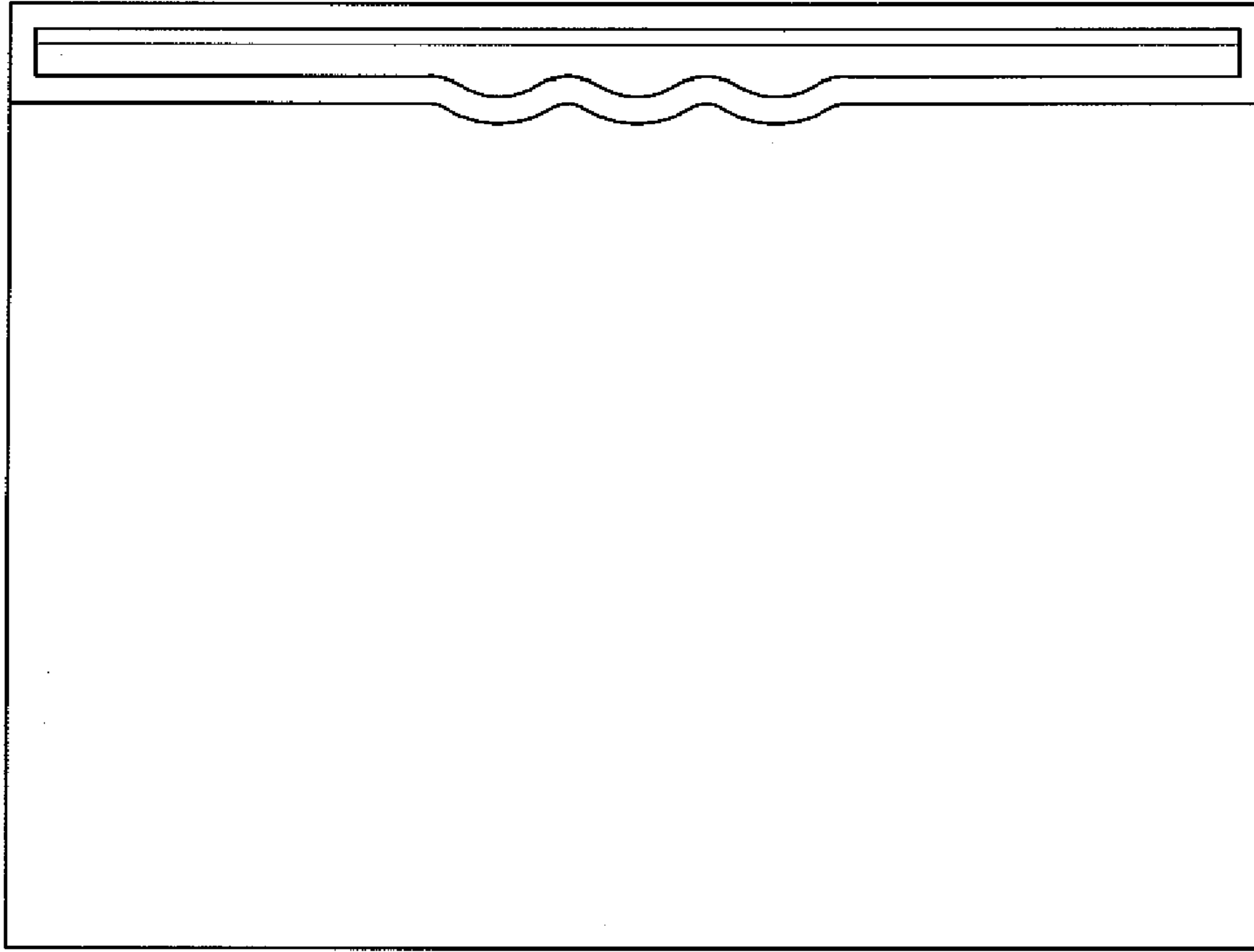


FIG. 4



FIG. 5

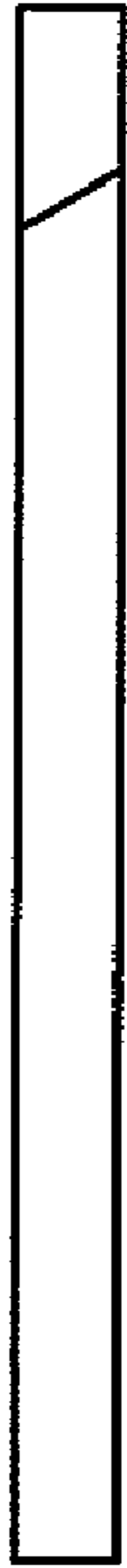


FIG. 6

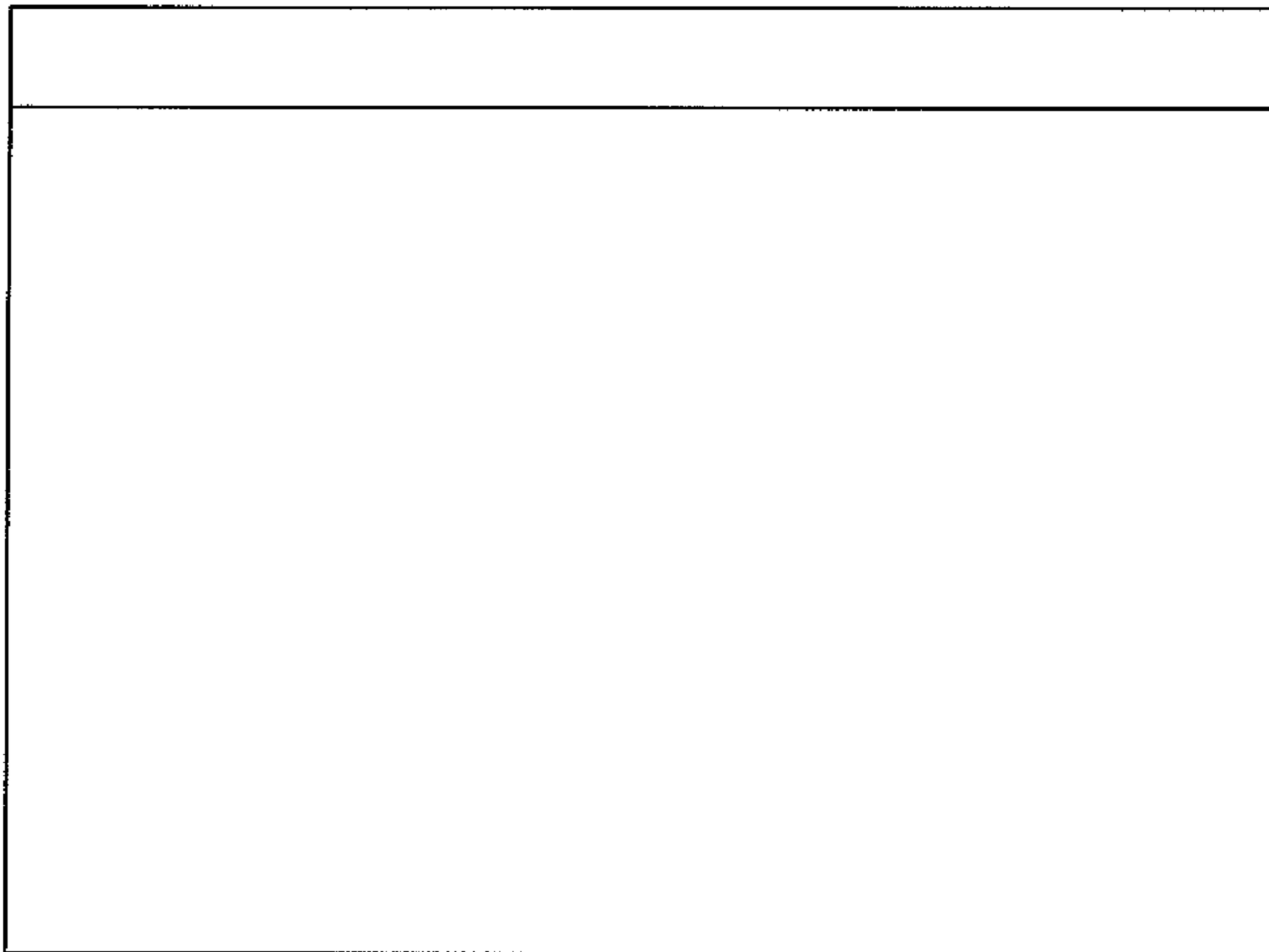


FIG. 7

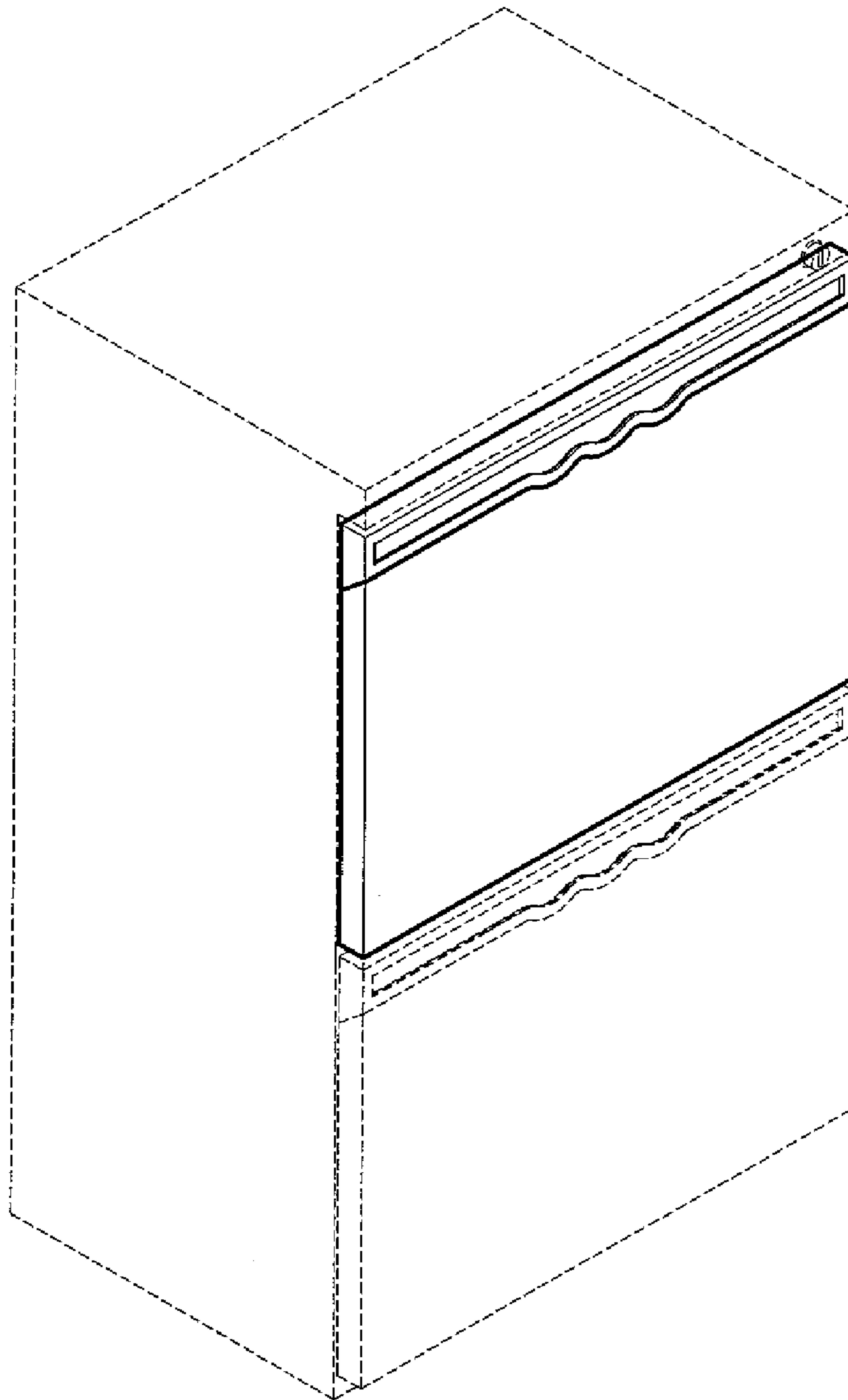


FIG. 8