



US00D573382S

(12) **United States Design Patent**
Brinkerhoff

(10) **Patent No.:** **US D573,382 S**

(45) **Date of Patent:** **** Jul. 22, 2008**

(54) **CABINET DISPENSER INSERT**

D550,144 S * 9/2007 Hord et al. D12/317
D554,399 S * 11/2007 Kim D6/509

(75) Inventor: **John Brinkerhoff**, Glasgow, KY (US)

* cited by examiner

(73) Assignee: **Midmark Corporation**, Versailles, OH (US)

Primary Examiner—Brian N Vinson

(74) *Attorney, Agent, or Firm*—Wood, Herron & Evans, LLP

(**) Term: **14 Years**

(57) **CLAIM**

(21) Appl. No.: **29/268,792**

The ornamental design for a cabinet dispenser insert, as shown and described.

(22) Filed: **Nov. 13, 2006**

(51) **LOC (8) Cl.** **06-06**

(52) **U.S. Cl.** **D6/509**

(58) **Field of Classification Search** D6/515–523,
D6/309, 432, 470; D12/317; D9/730, 734,
D9/418, 434; D25/52, 199; 312/100–102,
312/114, 209, 242, 245; 221/33, 45, 282
See application file for complete search history.

DESCRIPTION

FIG. 1 is a front perspective view of a cabinet dispenser insert showing my new design;

FIG. 2 is a rear perspective view thereof;

FIG. 3 is an exploded front perspective view thereof;

FIG. 4 is an exploded rear perspective view thereof; and,

FIG. 5 is a side elevational view thereof.

The broken-line disclosure in the views of a portion of a cabinet is for illustrative purposes only and forms no part of the claimed design.

(56) **References Cited**

U.S. PATENT DOCUMENTS

D407,675 S * 4/1999 Hamami D6/509
D432,667 S * 10/2000 M.o slashed.ller D25/52
D490,908 S * 6/2004 Barnard D25/52

1 Claim, 5 Drawing Sheets

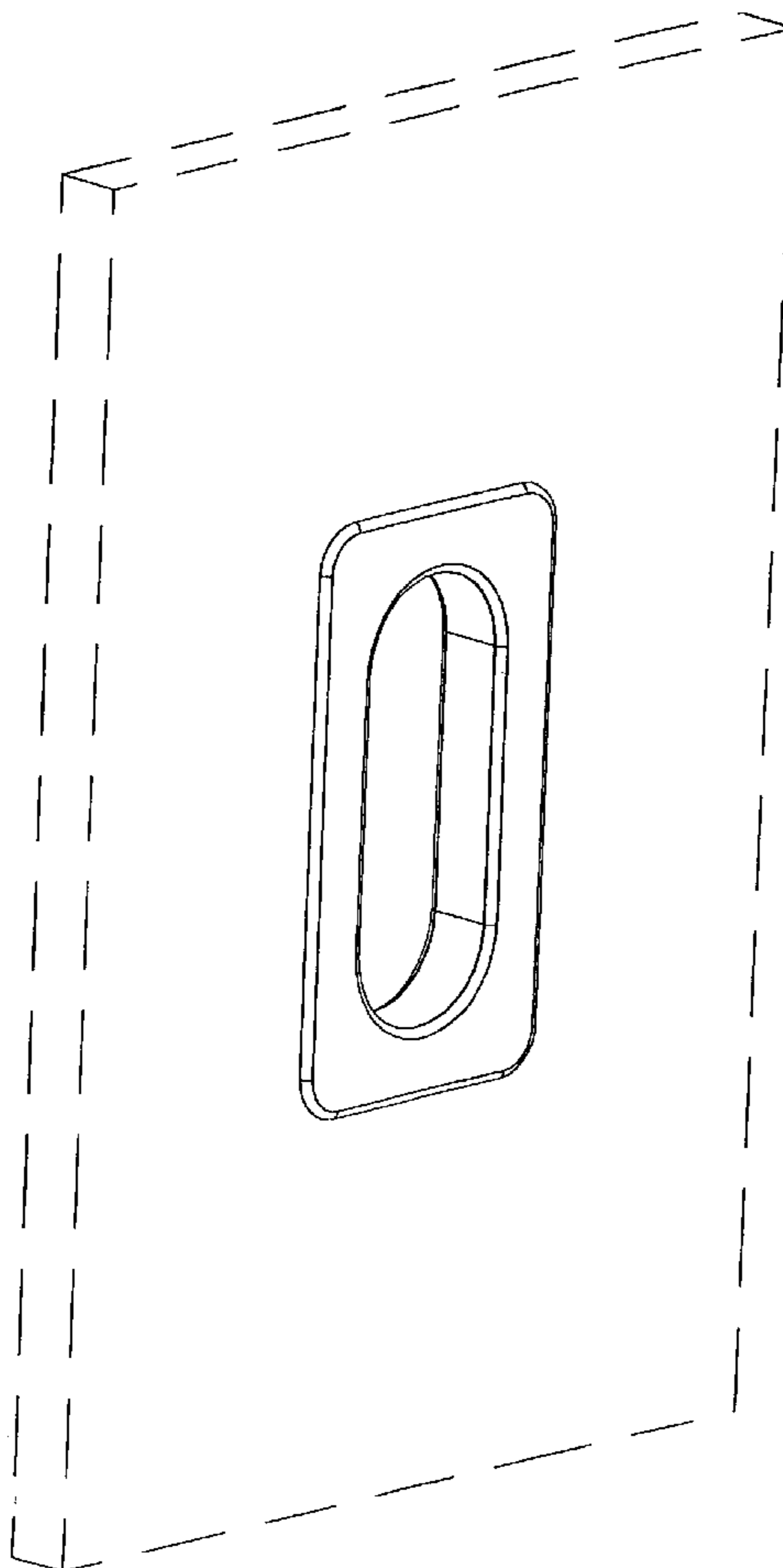


Fig. 1

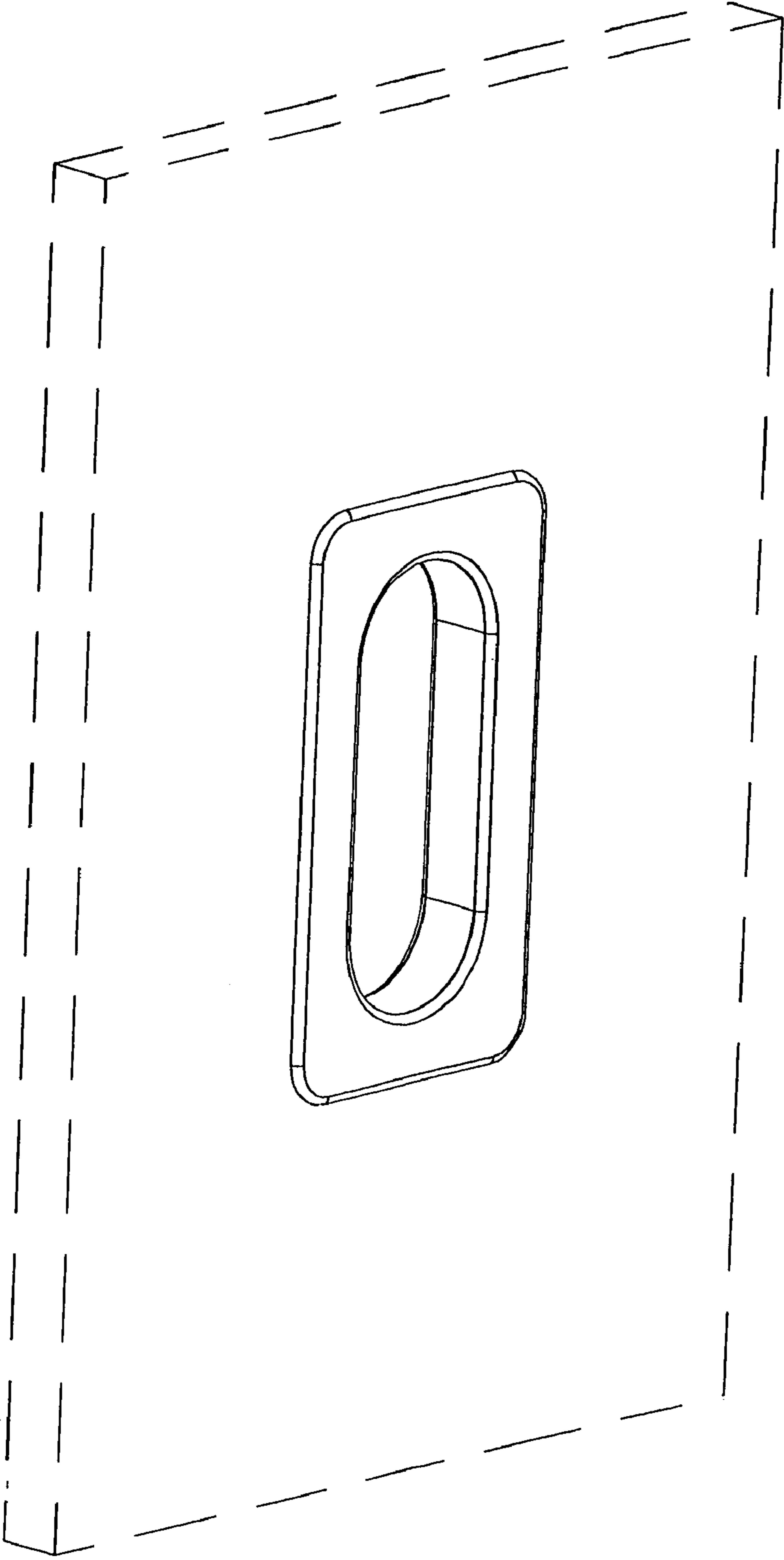
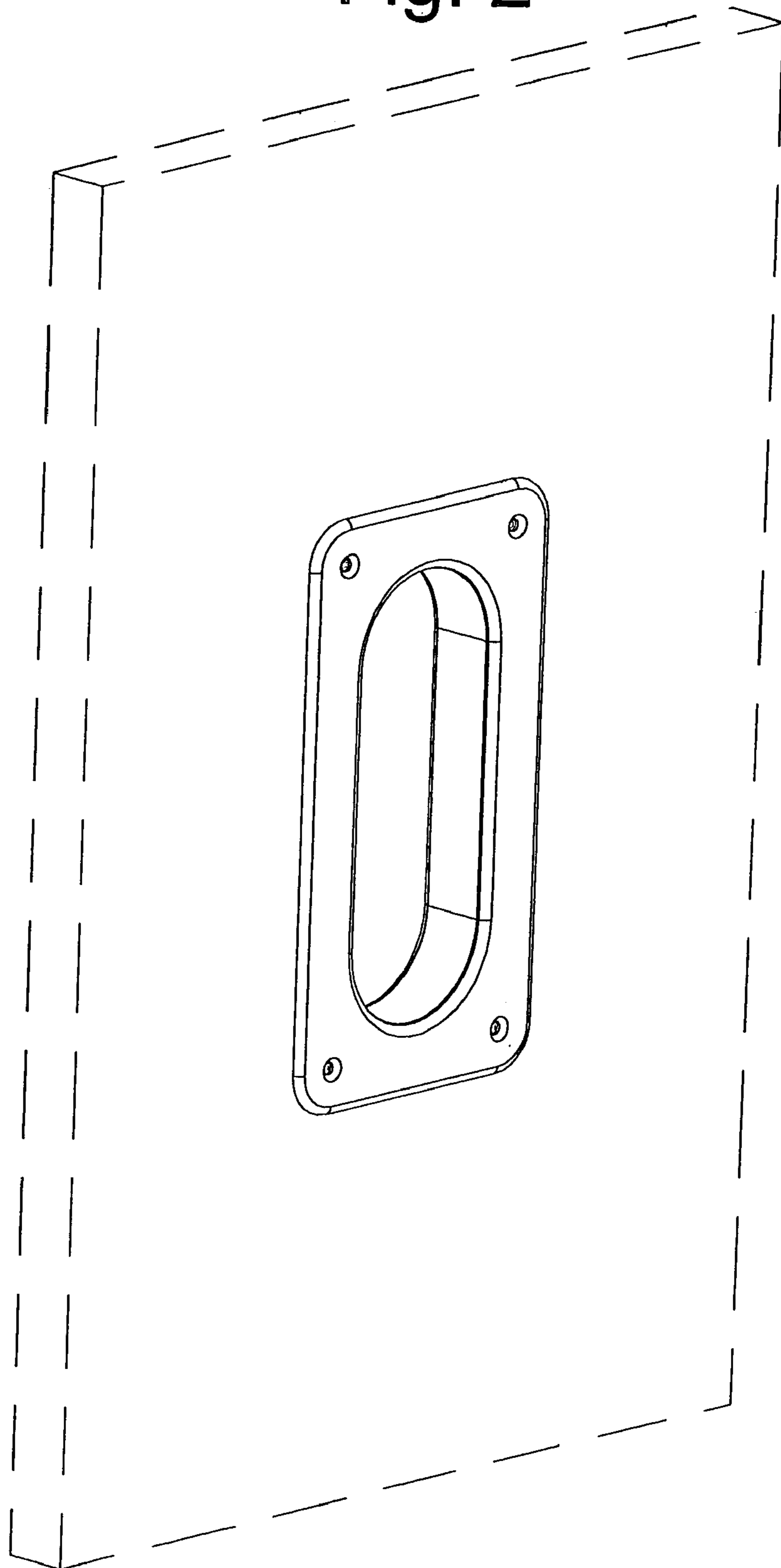


Fig. 2



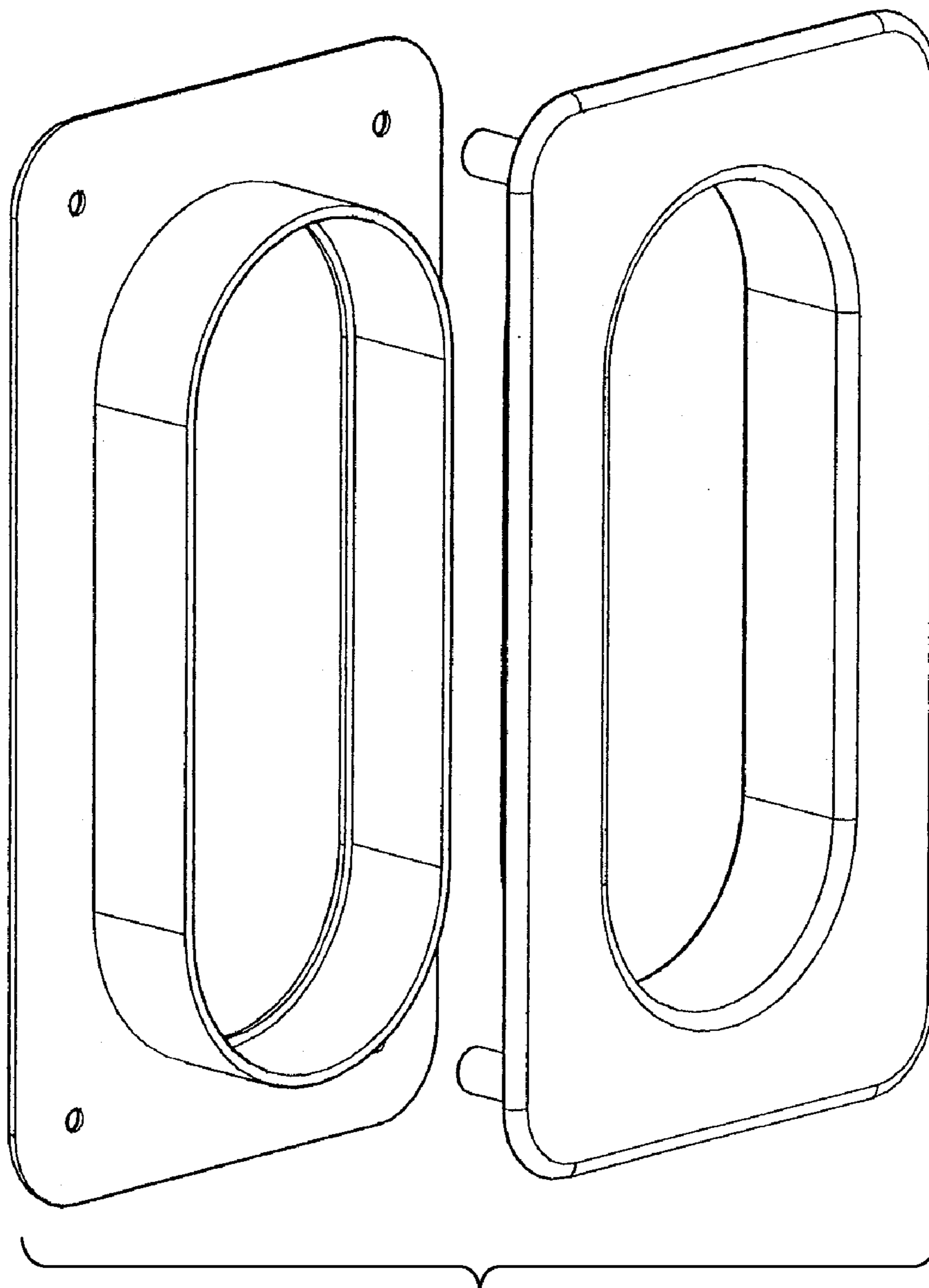


FIG. 3

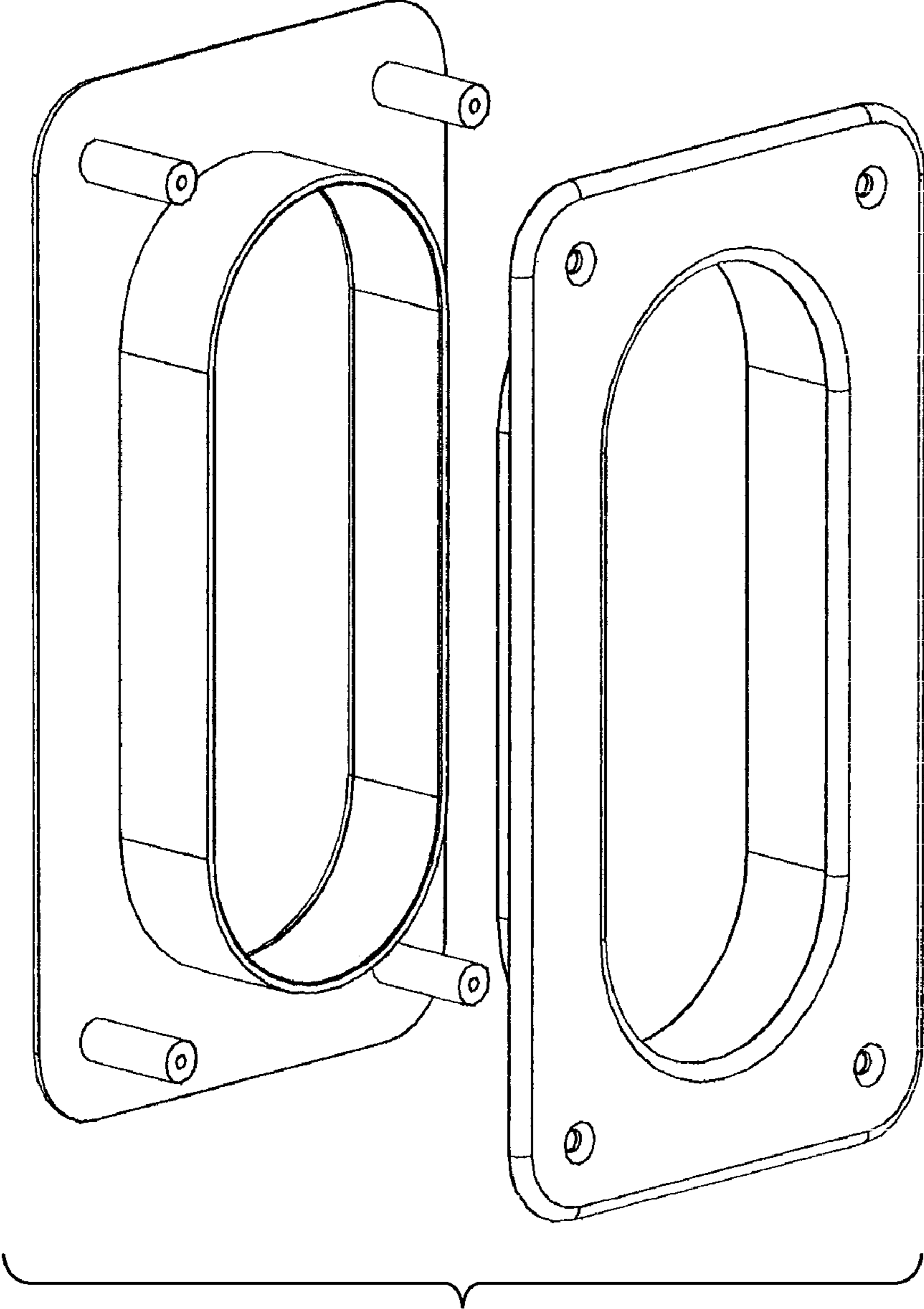


FIG. 4

Fig. 5

