



US00D573381S

(12) **United States Design Patent**
Pinholster, Jr. et al.

(10) **Patent No.:** **US D573,381 S**
(45) **Date of Patent:** **** Jul. 22, 2008**

(54) **HAMMOCK SUSPENSION STRAP**

(75) Inventors: **Peter Gary Pinholster, Jr.**, Asheville, NC (US); **Paul Conner Pinholster**, Asheville, NC (US)

(73) Assignee: **Eaglesnest Outfitters, Inc.**, Asheville, NC (US)

(**) Term: **14 Years**

(21) Appl. No.: **29/279,178**

(22) Filed: **Apr. 23, 2007**

(51) **LOC (8) Cl.** **06-02**

(52) **U.S. Cl.** **D6/505; D6/387**

(58) **Field of Classification Search** D6/386,
D6/387, 503; D3/327; D30/153; 5/120-123,
5/127-130; 182/9

See application file for complete search history.

(56) **References Cited**

U.S. PATENT DOCUMENTS

3,998,367	A *	12/1976	Harding	224/625
5,293,657	A *	3/1994	DeAth	5/127
5,579,548	A *	12/1996	Death	5/127
D454,235	S *	3/2002	Kaplan	D30/153
6,418,577	B1 *	7/2002	Murphy	5/127
6,711,763	B2 *	3/2004	Batchelder et al.	5/120

* cited by examiner

Primary Examiner—Janice E Seeger

(74) *Attorney, Agent, or Firm*—Cohen & Grigsby, P.C.

(57) **CLAIM**

The ornamental design for a hammock suspension strap, as shown and described.

DESCRIPTION

The present invention relates a hammock suspension system that includes a strap with up to six points on each side to attach to the carabineer end of a user's hammock.

FIG. 1 is a perspective view of the hammock suspension strap embodying our new design.

FIG. 2 is a top view of the hammock suspension strap shown in FIG. 1.

FIG. 3 is a front elevation view of the hammock suspension strap shown in FIG. 1.

FIG. 4 is a rear elevation view of the hammock suspension strap shown in FIG. 1.

FIG. 5 is a bottom plan view of the hammock suspension strap shown in FIG. 1.

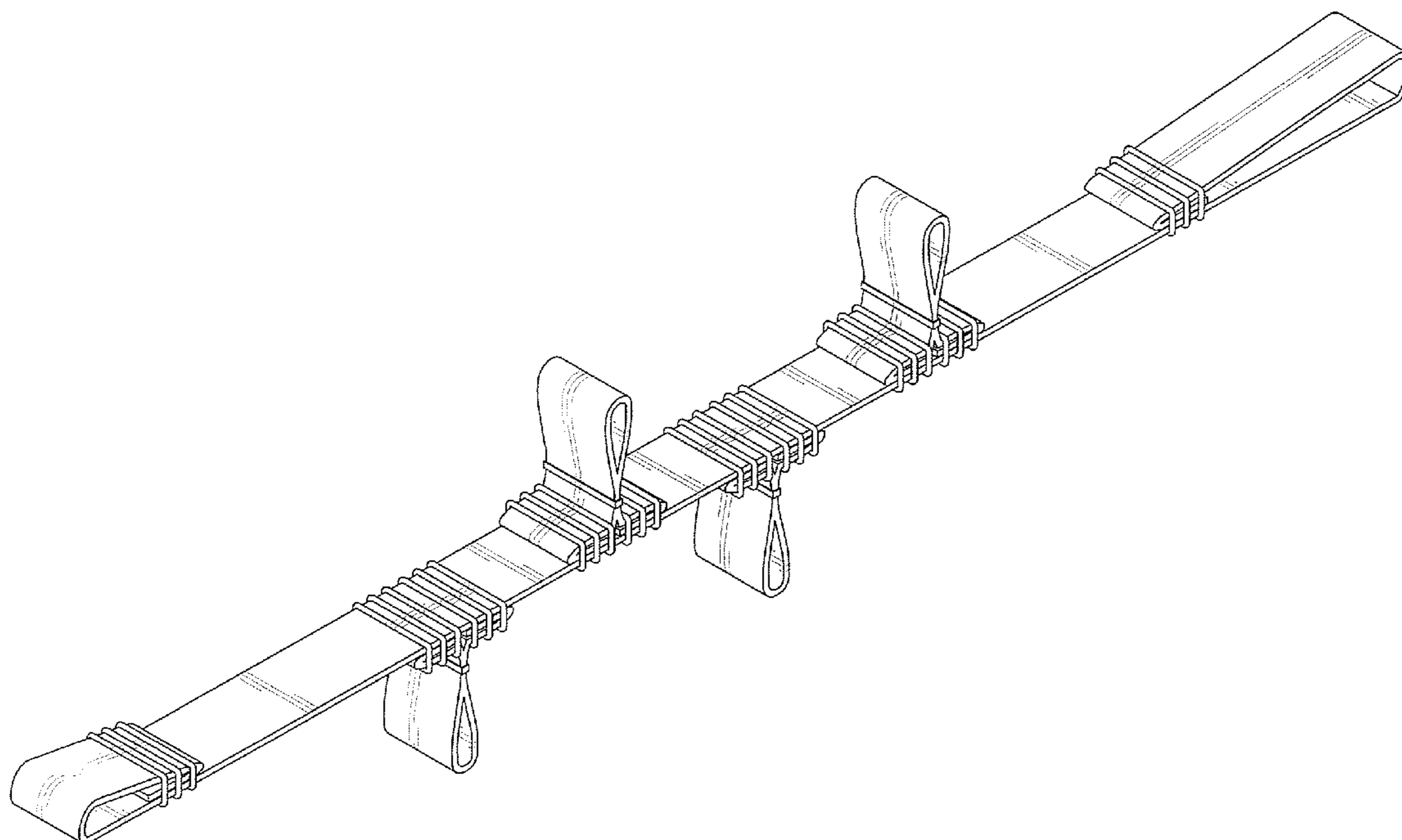
FIG. 6 is a right elevation view of the hammock suspension strap shown in FIG. 1.

FIG. 7 is a left elevation view of the hammock suspension strap shown in FIG. 1; and,

FIG. 8 is a left environmental perspective view of the hammock suspension strap shown in FIG. 1.

The portions of FIG. 8 shown in broken lines are for the purposes of illustration only and form no part of the claimed design.

1 Claim, 5 Drawing Sheets



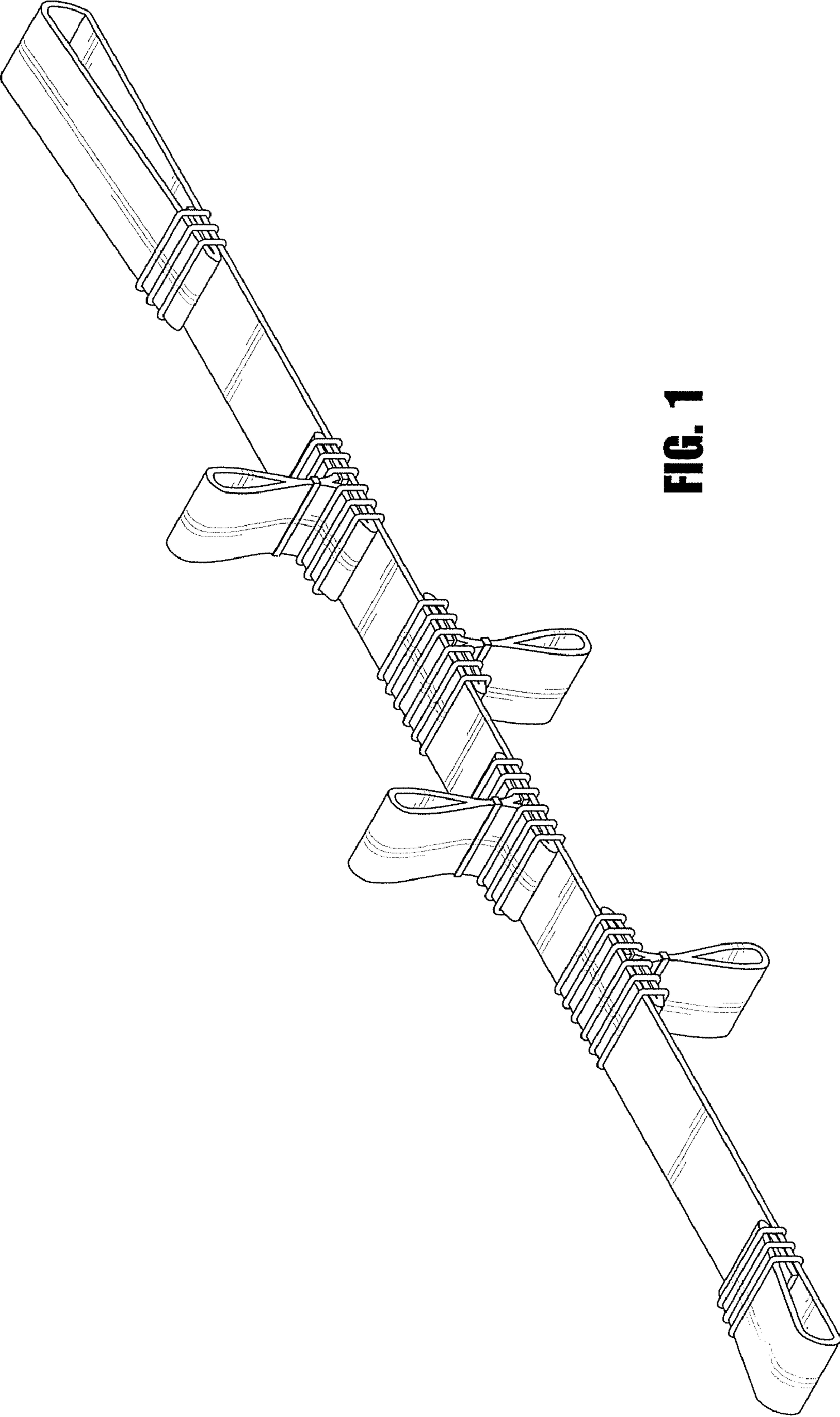


FIG. 1

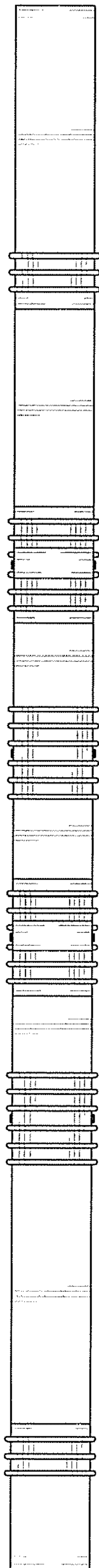


FIG. 2

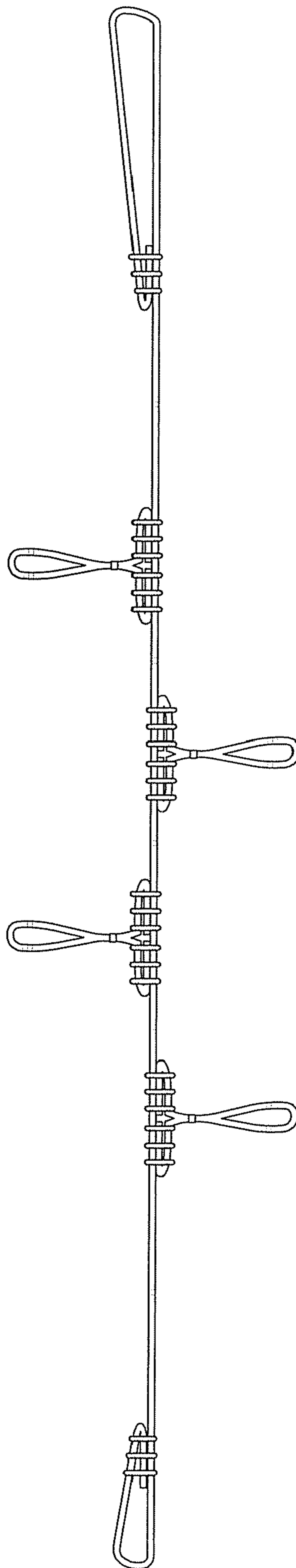


FIG. 3

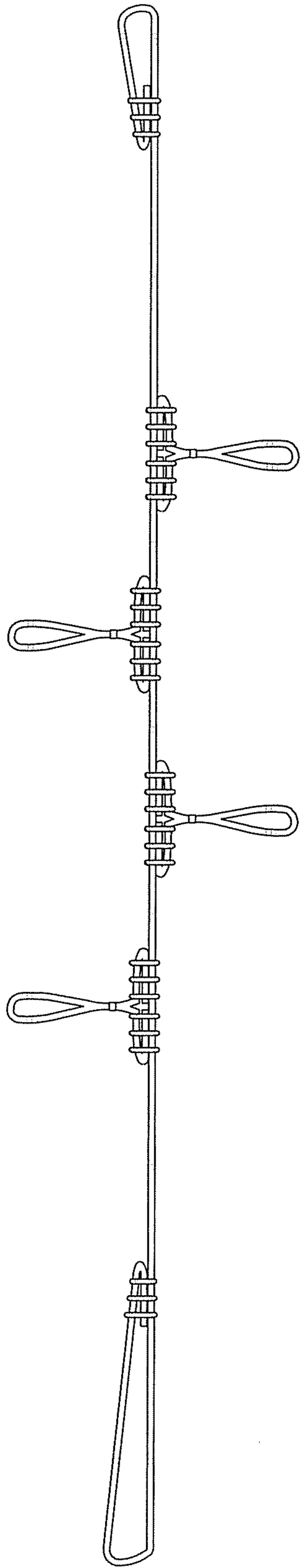


FIG. 4

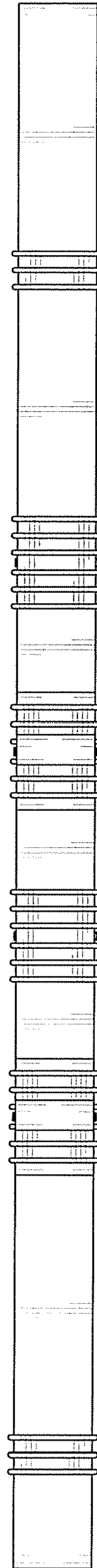


FIG. 5

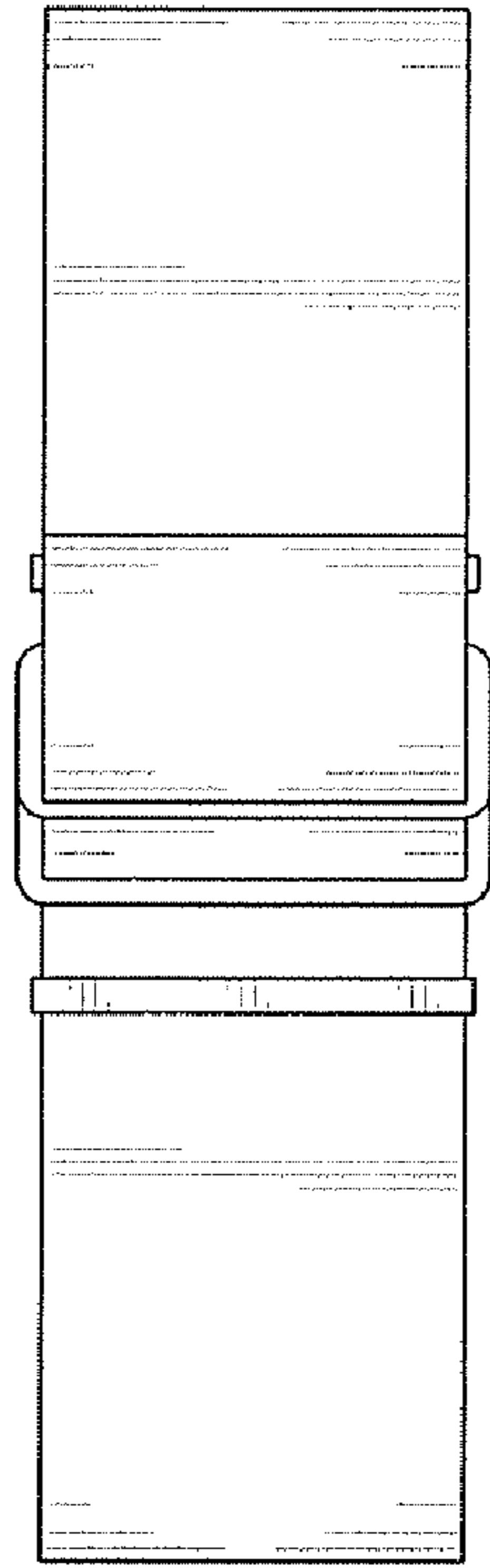


FIG. 6

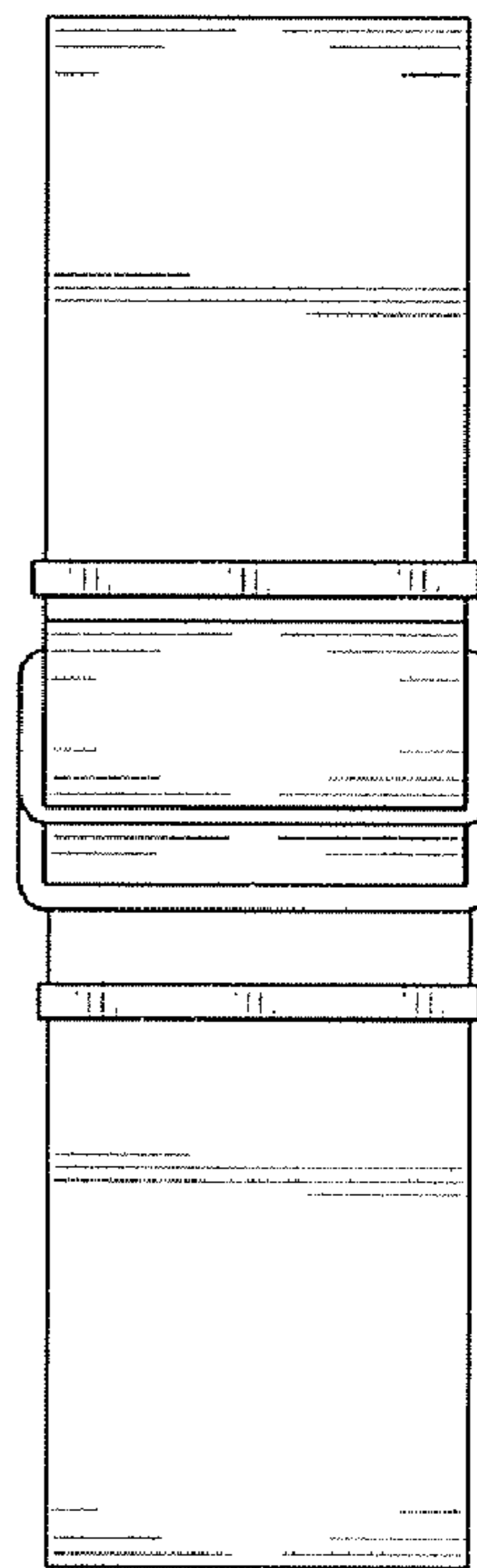


FIG. 7

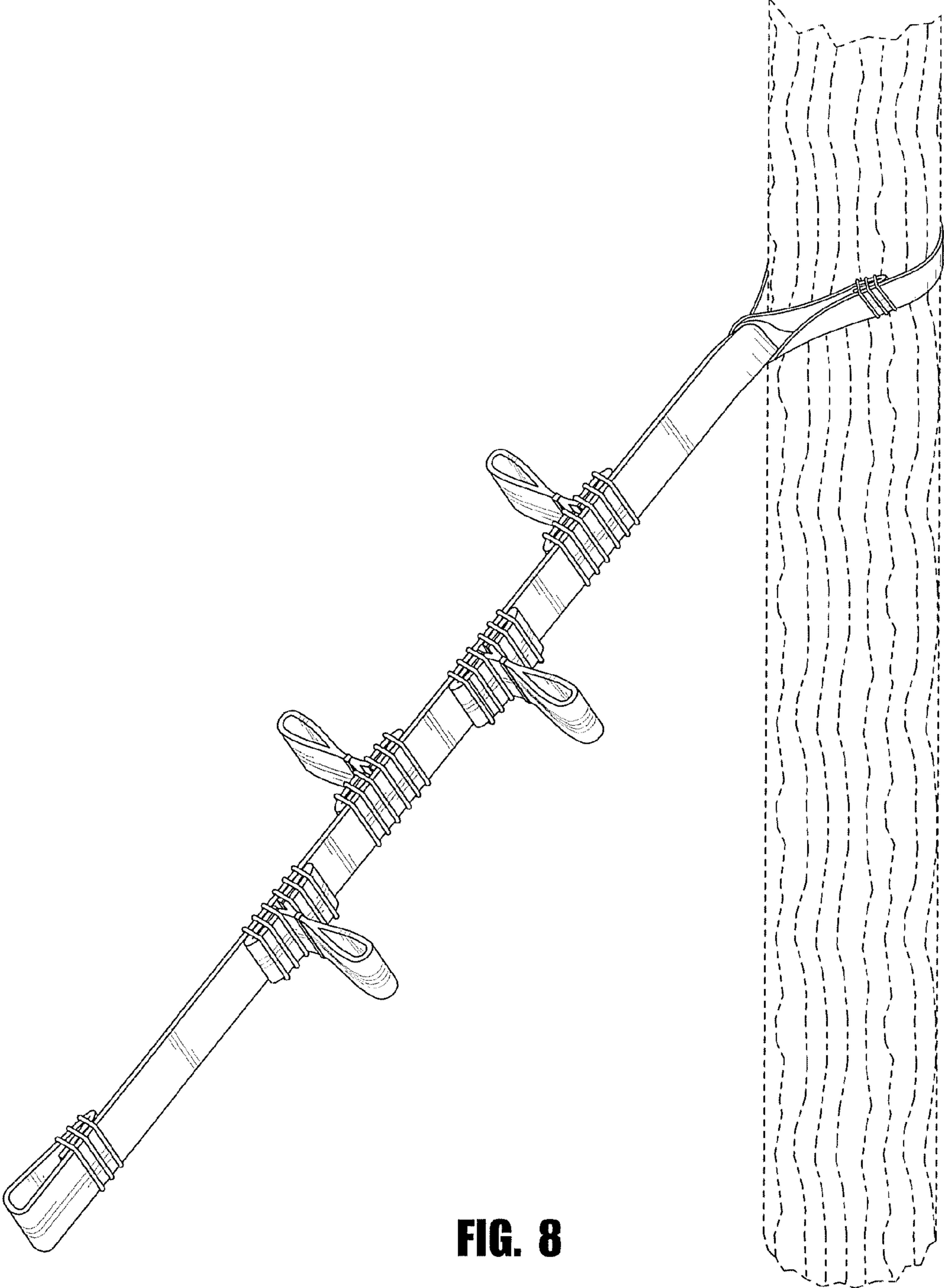


FIG. 8