



US00D573380S

(12) **United States Design Patent**
Lentin

(10) **Patent No.:** **US D573,380 S**
(45) **Date of Patent:** **** Jul. 22, 2008**

(54) **FURNITURE UNIT**

(76) **Inventor:** **Mark Lentin**, 21 Schiphol, 38 6th Road,
Hyde Park, Johannesburg, Guateng
Province (ZA)

(**) **Term:** **14 Years**

(21) **Appl. No.:** **29/290,280**

(22) **Filed:** **Nov. 14, 2007**

(30) **Foreign Application Priority Data**

Jul. 2, 2007 (ZA) 2007/01142

(51) **LOC (8) Cl.** **06-01**

(52) **U.S. Cl.** **D6/502**

(58) **Field of Classification Search** D6/334,
D6/335, 341, 353, 360, 364, 367, 369, 371,
D6/376, 377, 379-381, 500-502; 297/445.1,
297/446.1; 5/12.1

See application file for complete search history.

(56) **References Cited**

U.S. PATENT DOCUMENTS

2,707,514	A *	5/1955	Smith	297/411.27
2,806,514	A *	9/1957	Smith	297/440.12
2,940,513	A *	6/1960	Holden	297/440.12
2,955,847	A *	10/1960	McKenna	285/16
3,331,634	A *	7/1967	Harrison, Jr.	297/440.12
D234,015	S *	12/1974	Bernard	D6/334
D268,797	S *	5/1983	Mascheroni	D6/371
D275,243	S *	8/1984	Tiffany, III	D6/364
D395,557	S *	6/1998	Smith	D6/334
6,267,446	B1	7/2001	Wieland et al.		
6,568,058	B1	5/2003	Wieland et al.		
D490,995	S *	6/2004	Hutton	D6/370
7,044,557	B2	5/2006	Wieland		
D532,616	S *	11/2006	Auberger	D6/334

OTHER PUBLICATIONS

Home Reserve, Sectional Armless Assembly Instructions, dated Feb. 2007, 14 pp.

Home Reserve, Classic Sofa Assembly Instructions, dated Feb. 2007, 20 pp.

Home Reserve, Avenue Chair Assembly Instructions, dated Feb. 2007, 17 pp.

Home Reserve, Avenue Style Sectional Right Assembly Instructions, dated Feb. 2007, 17 pp.

Home Reserve, Sectional Corner Assembly Instructions, Feb. 2007, 17 pp.

Printout from website <http://www.homerreserve.com/assemblyInfo.cfm>, dated Sep. 19, 2007, 2 pp.

Contending U.S. Appl. No. 29/290,246, filed Nov. 8, 2007.

* cited by examiner

Primary Examiner—Sandra Snapp

(74) *Attorney, Agent, or Firm*—Smith, Gambrell & Russell, LLP

(57) **CLAIM**

The ornamental design for a furniture unit, as shown and described.

DESCRIPTION

FIG. 1 is a front perspective view thereof;

FIG. 2 is a bottom rear perspective view thereof;

FIG. 3 is a left side elevational view thereof;

FIG. 4 is a right side elevational view;

FIG. 5 is a front elevational view thereof;

FIG. 6 is a rear elevational view thereof;

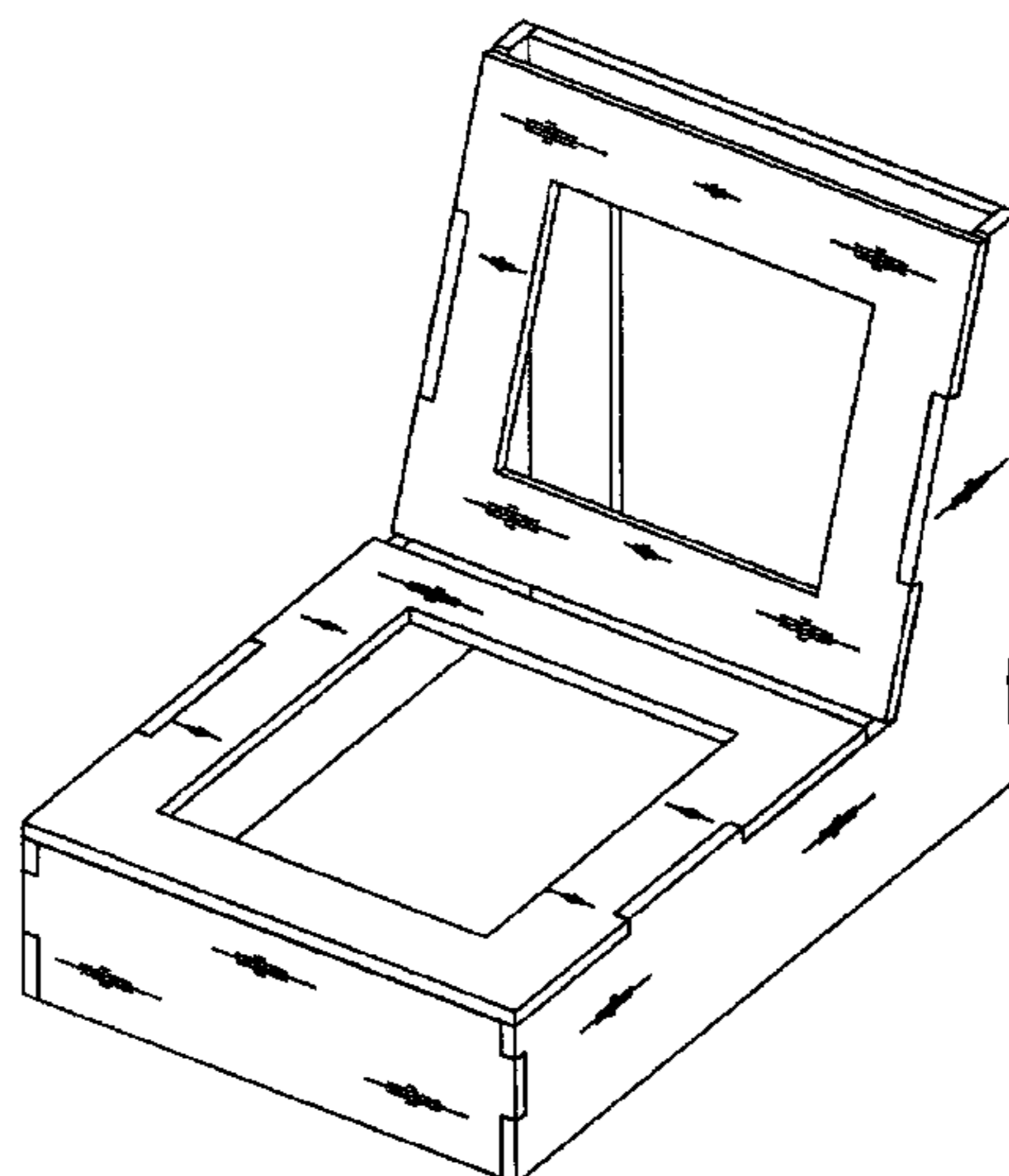
FIG. 7 is a top plan view thereof;

FIG. 8 is a bottom plan view thereof;

FIG. 9 is a top perspective view thereof with springs shown in broken lines for illustrative purposes only and forming no part of the claimed design; and,

FIG. 10 is a bottom perspective view of that which is shown in FIG. 9.

1 Claim, 10 Drawing Sheets



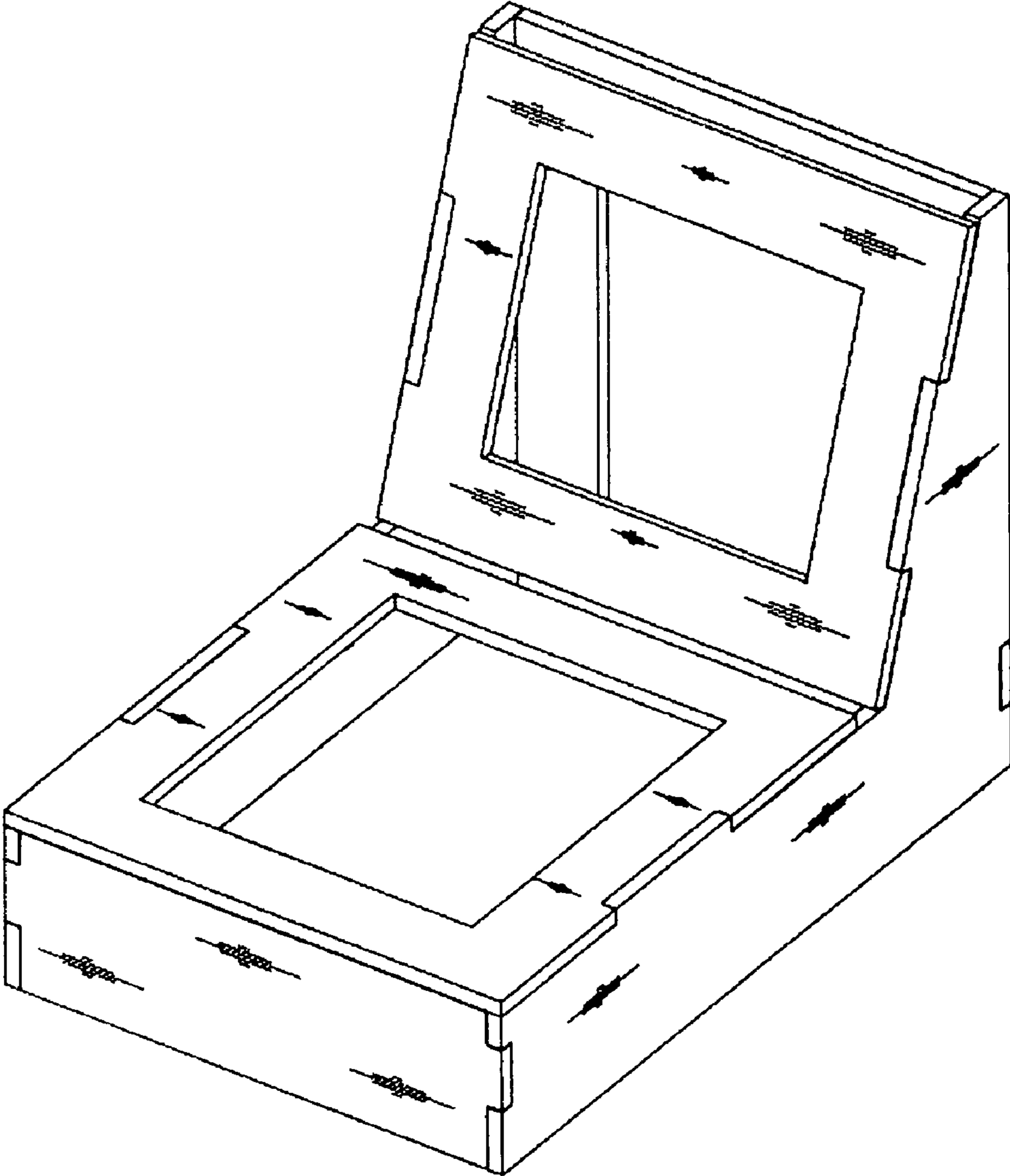


FIG. 1

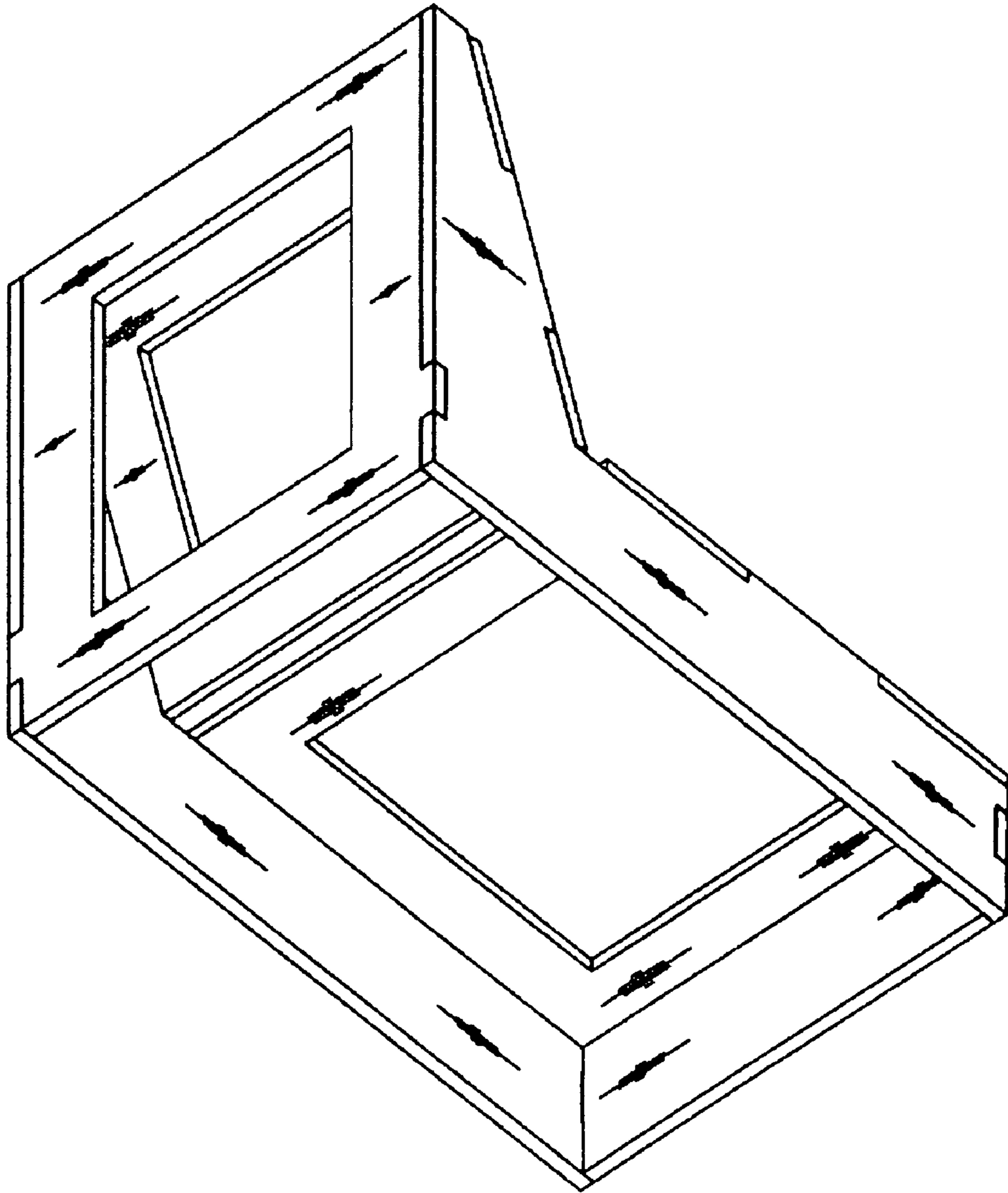


FIG. 2

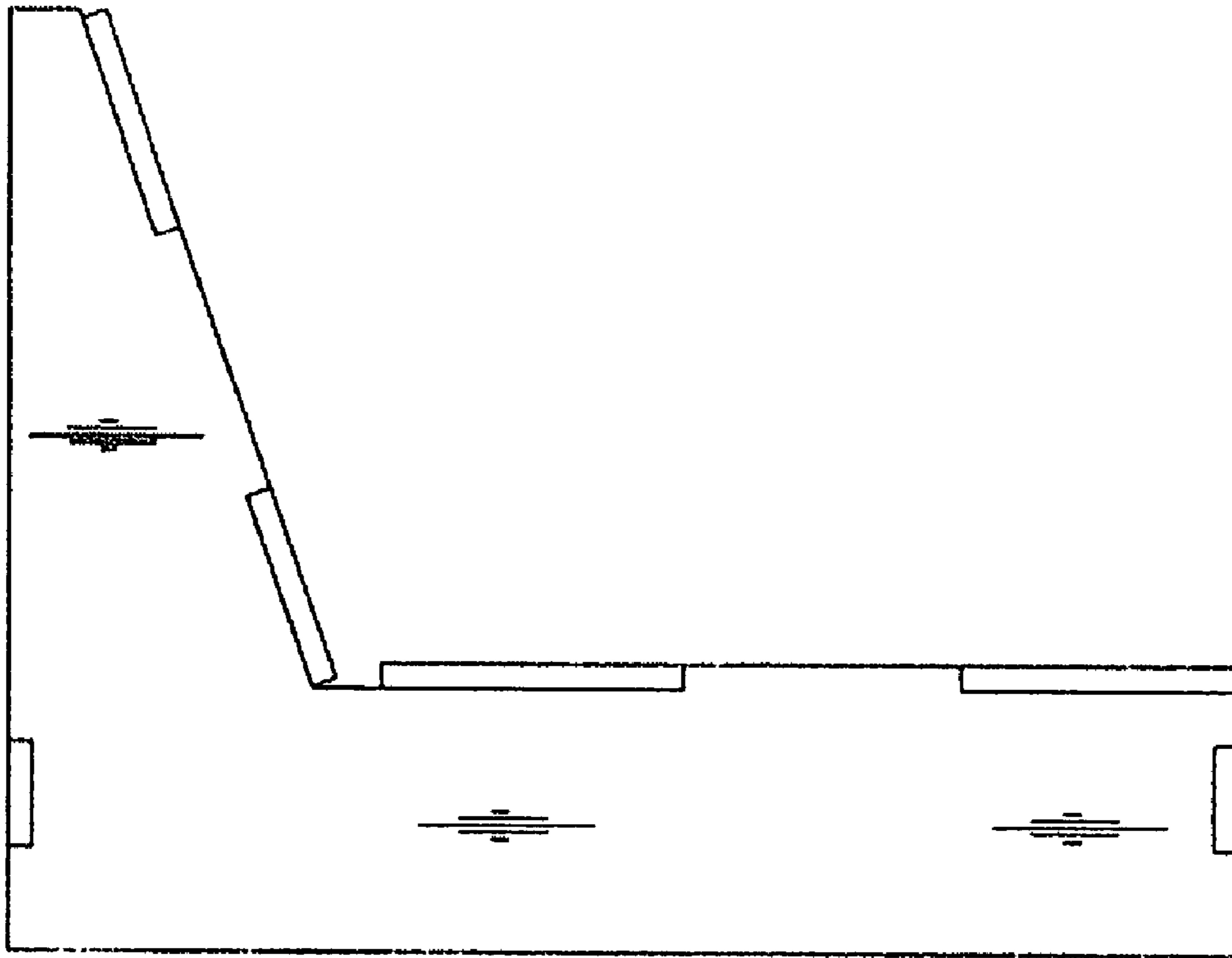


FIG. 3

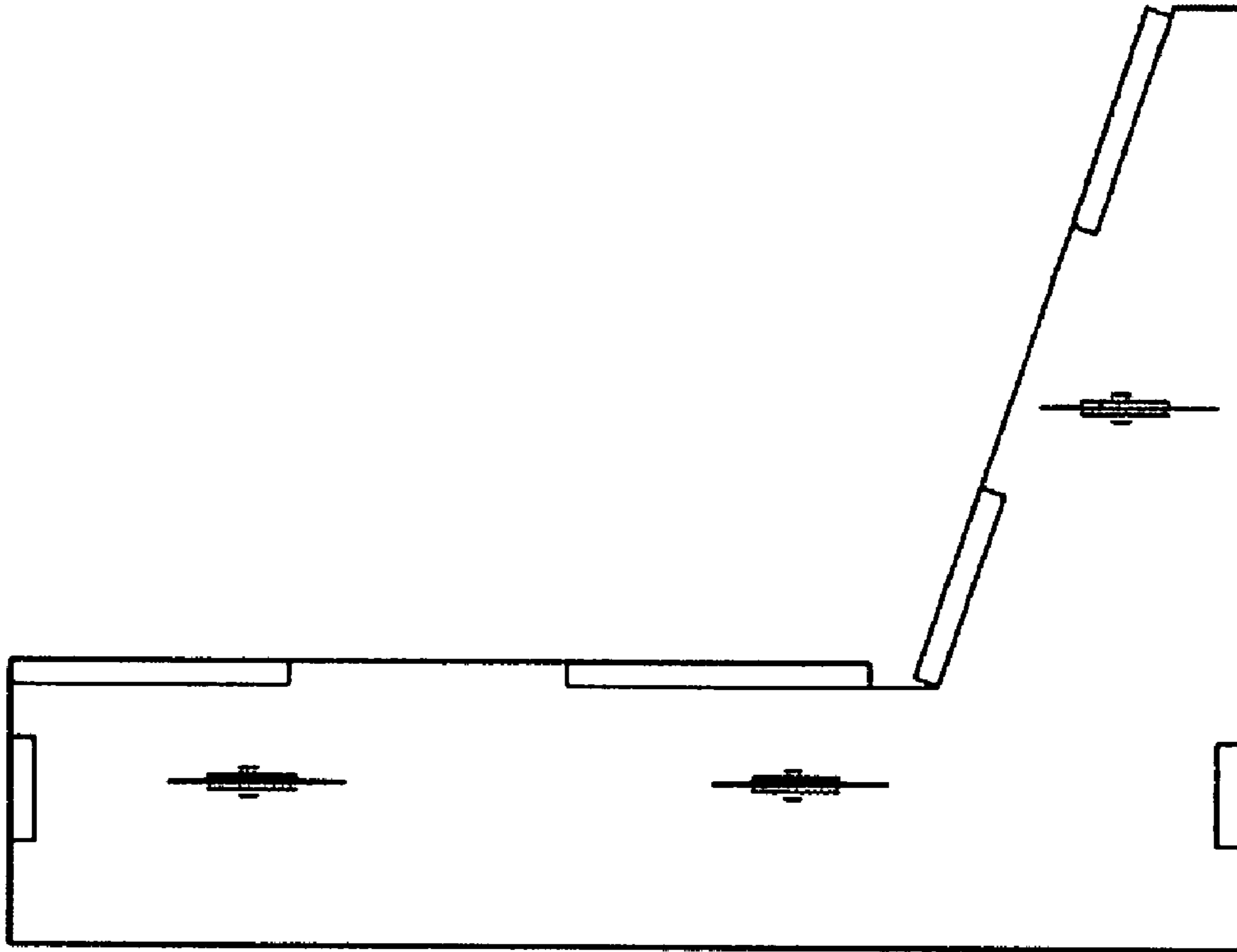


FIG. 4

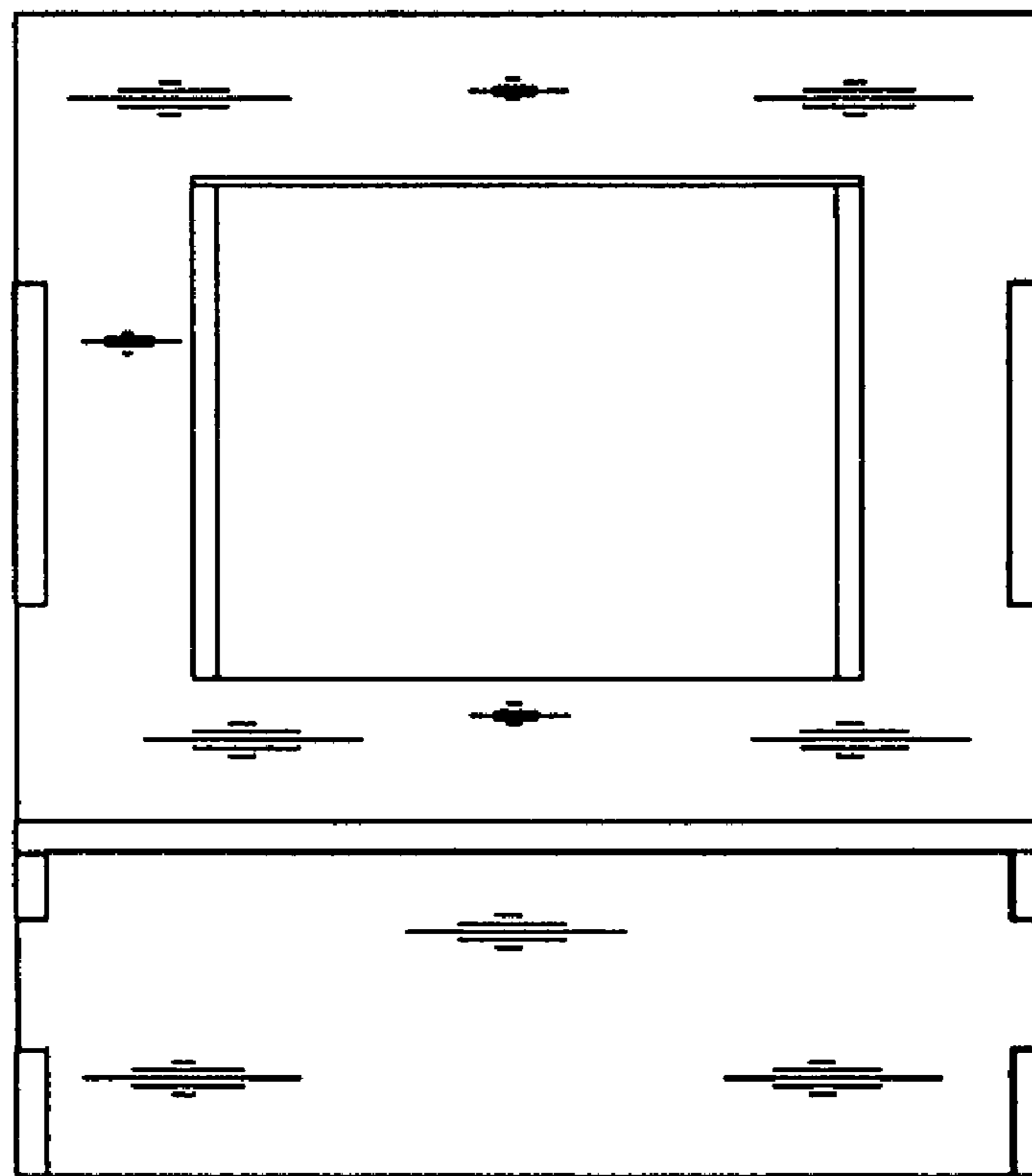


FIG. 5

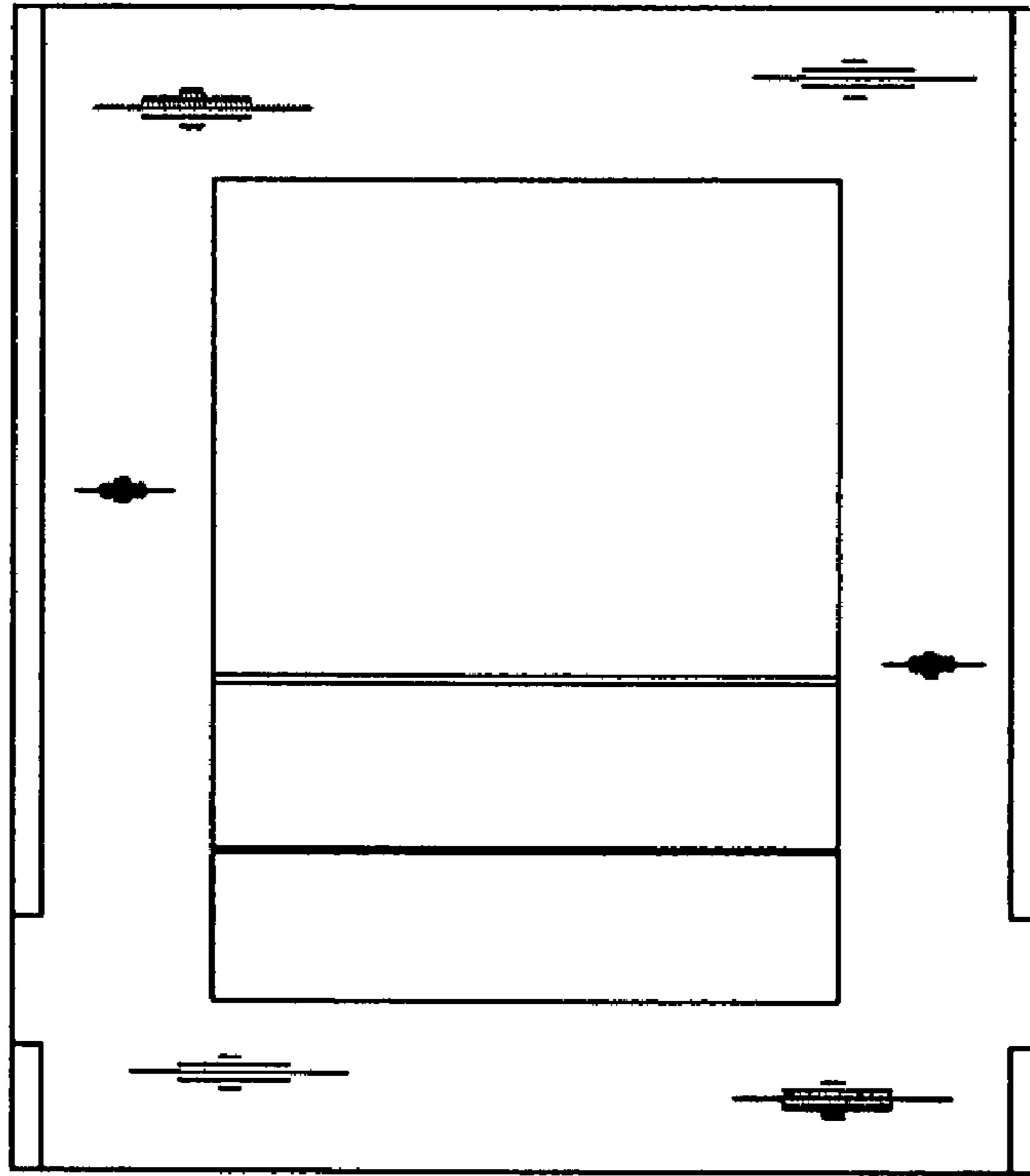


FIG. 6

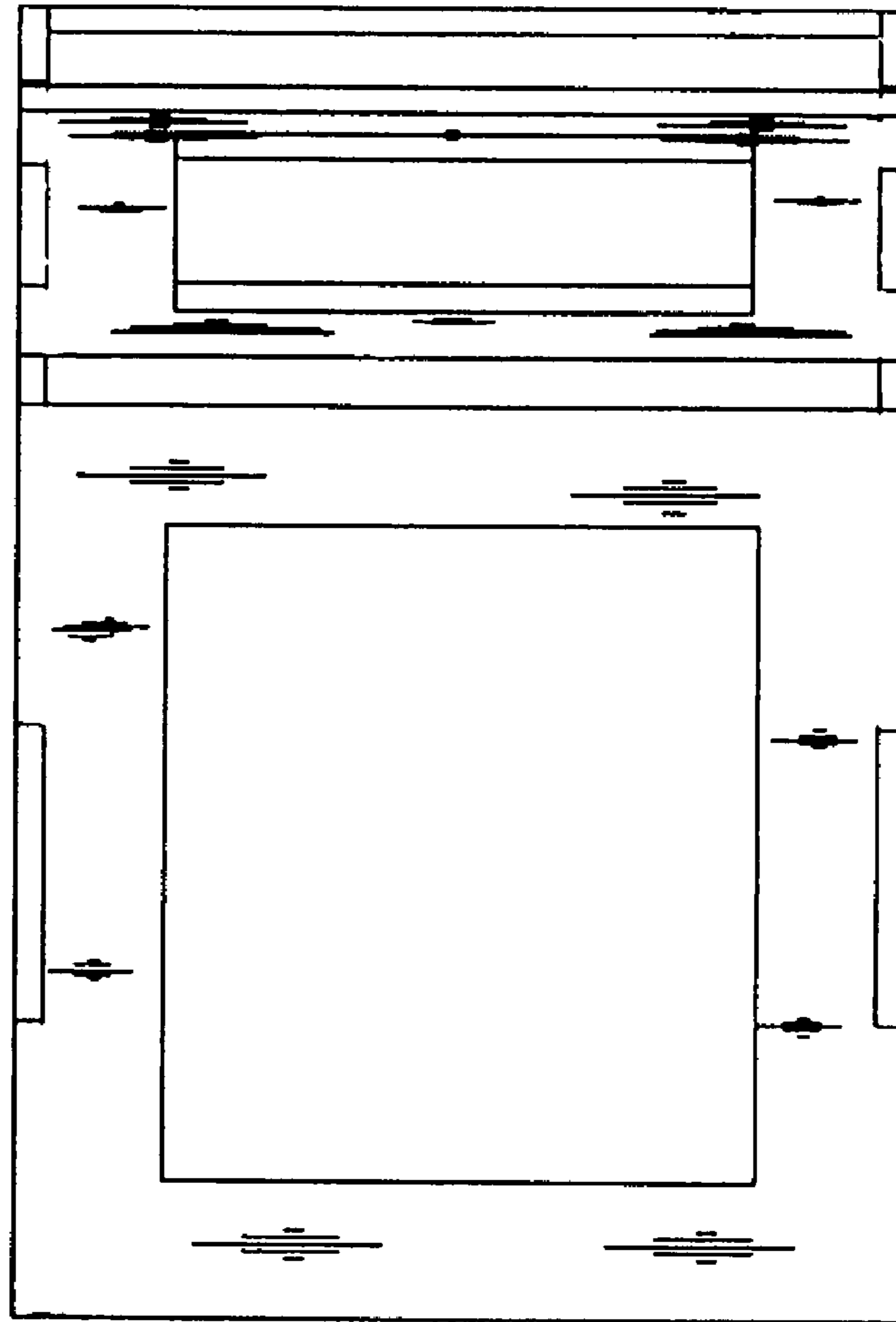


FIG. 7

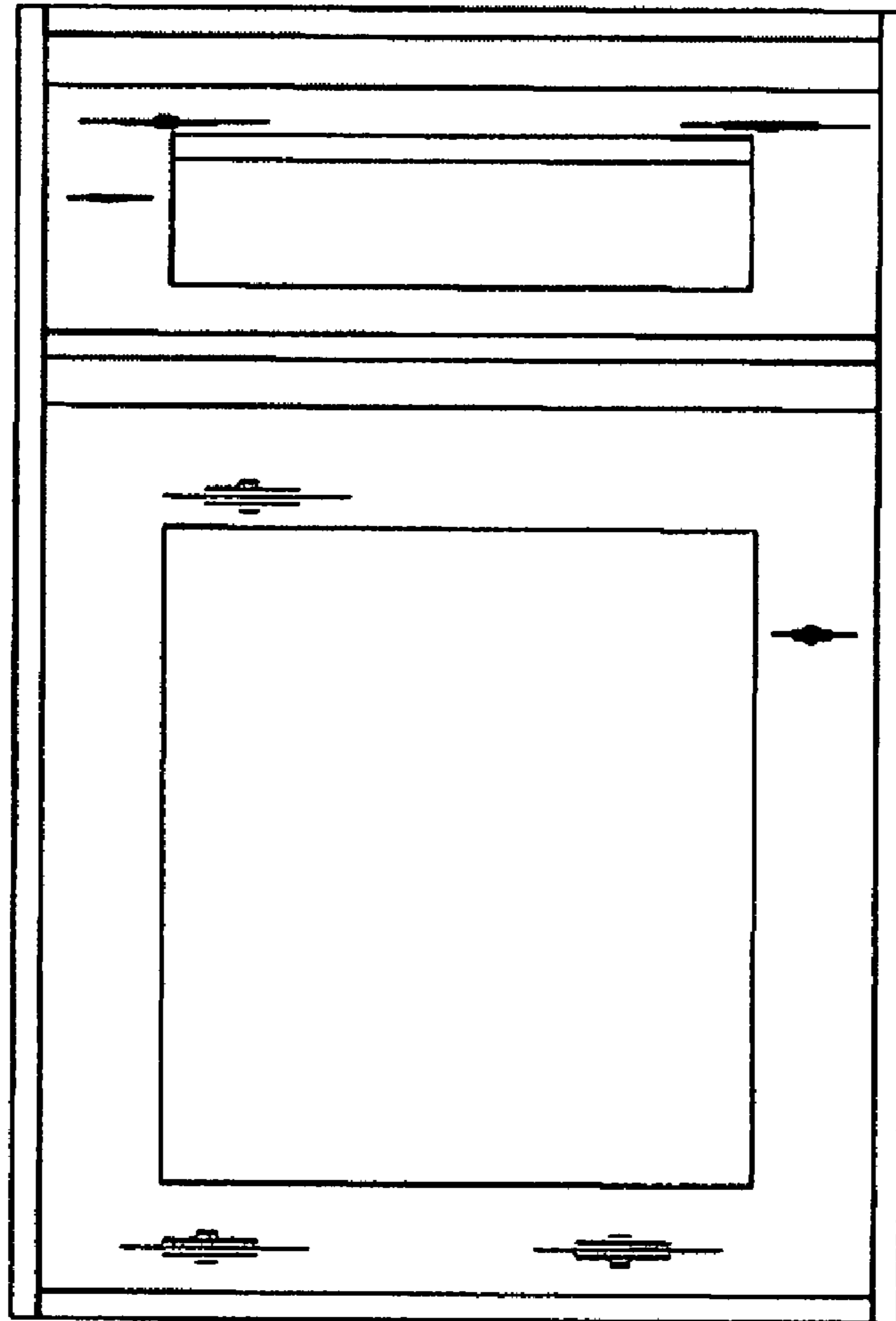


FIG. 8

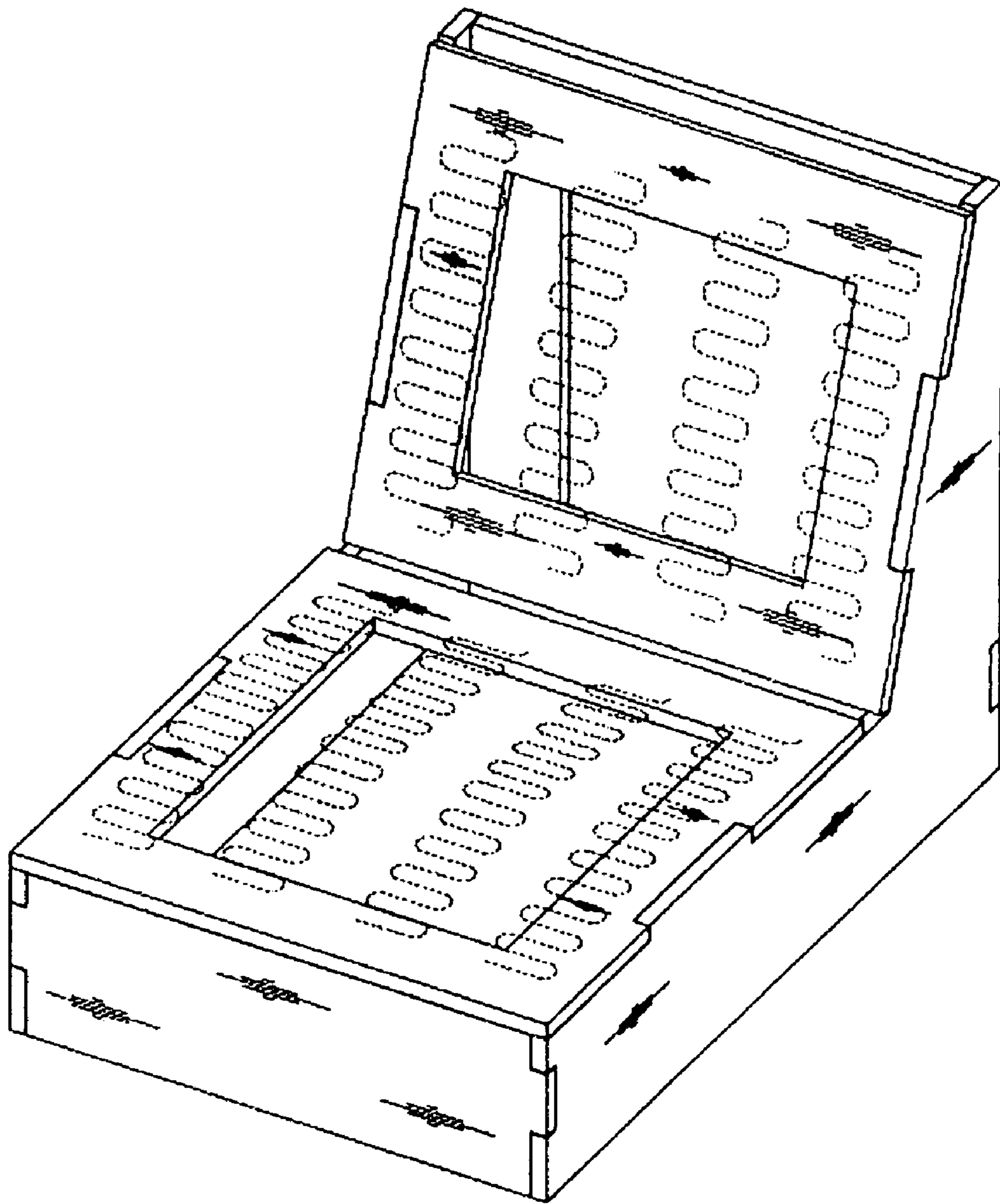


FIG. 9

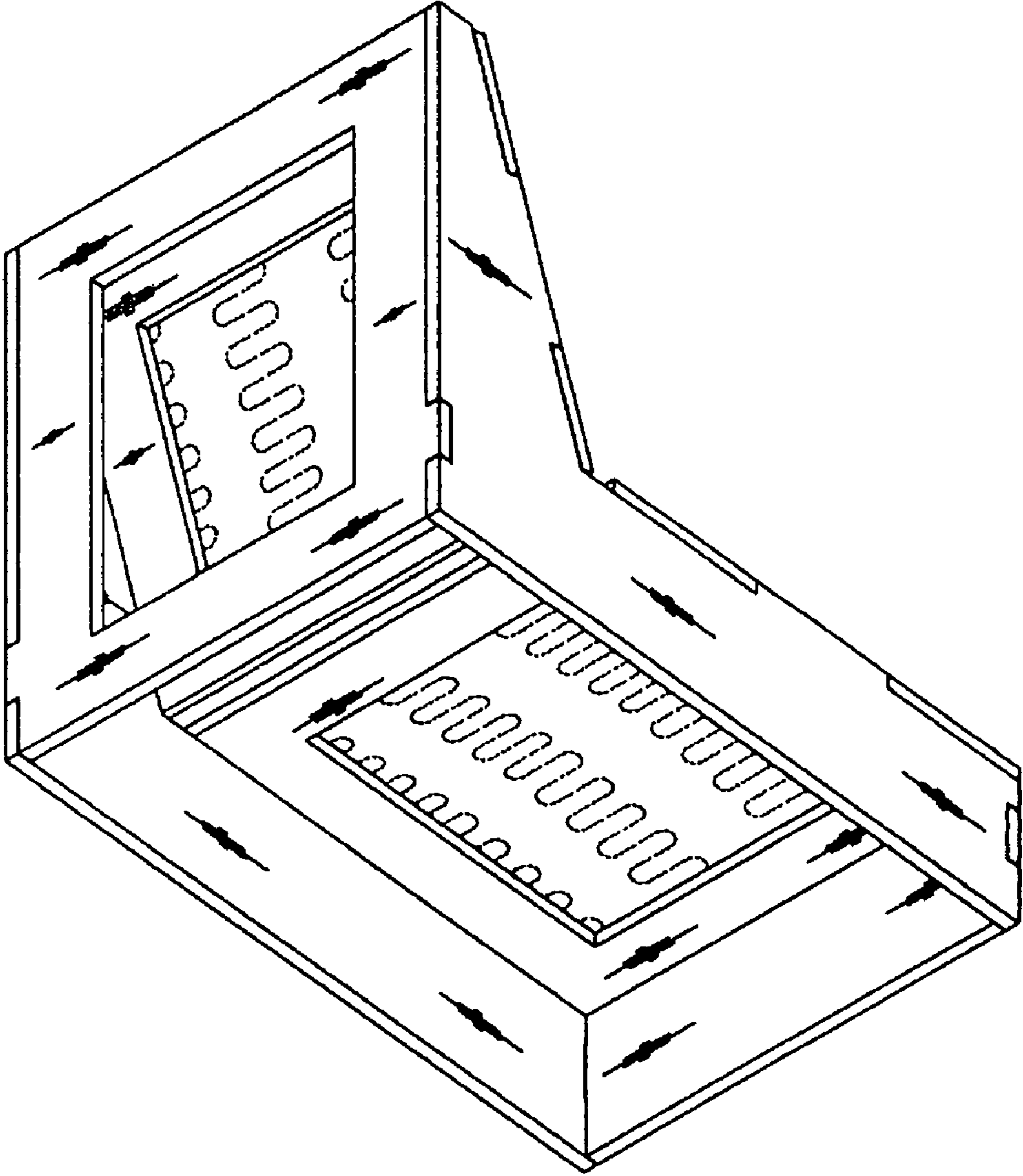


FIG. 10