



US00D573379S

(12) **United States Design Patent**  
**Muller**

(10) **Patent No.:** **US D573,379 S**

(45) **Date of Patent:** **\*\* Jul. 22, 2008**

(54) **STOOL SEAT**

D547,957 S \* 8/2007 Muller ..... D6/360  
D559,570 S \* 1/2008 Higgs et al. .... D6/364

(76) Inventor: **Carl Muller**, 16451 Barnstable Cir.,  
Huntington Beach, CA (US) 92649

\* cited by examiner

(\*\*) Term: **14 Years**

*Primary Examiner*—Sandra Snapp

(21) Appl. No.: **29/289,676**

(57) **CLAIM**

(22) Filed: **Jul. 27, 2007**

The ornamental design for stool seat, as shown and described.

(51) **LOC (8) Cl.** ..... **06-01**

**DESCRIPTION**

(52) **U.S. Cl.** ..... **D6/502**

(58) **Field of Classification Search** ..... D6/334,  
D6/335, 341, 353, 360, 364, 367, 369, 371,  
D6/376, 377, 379–381, 500–502; 297/445.1,  
297/446.1; 5/12.1

FIG. 1 is a front perspective view of the stool seat, the broken lines shown in the drawings are for illustrative purposes only and form no part of the claimed design.

FIG. 2 is a rear perspective view of the stool seat.

FIG. 3 is a front elevational view of the stool seat.

See application file for complete search history.

FIG. 4 is a right side elevational view of the stool seat, the left side elevational view being a mirror image thereof.

(56) **References Cited**

**U.S. PATENT DOCUMENTS**

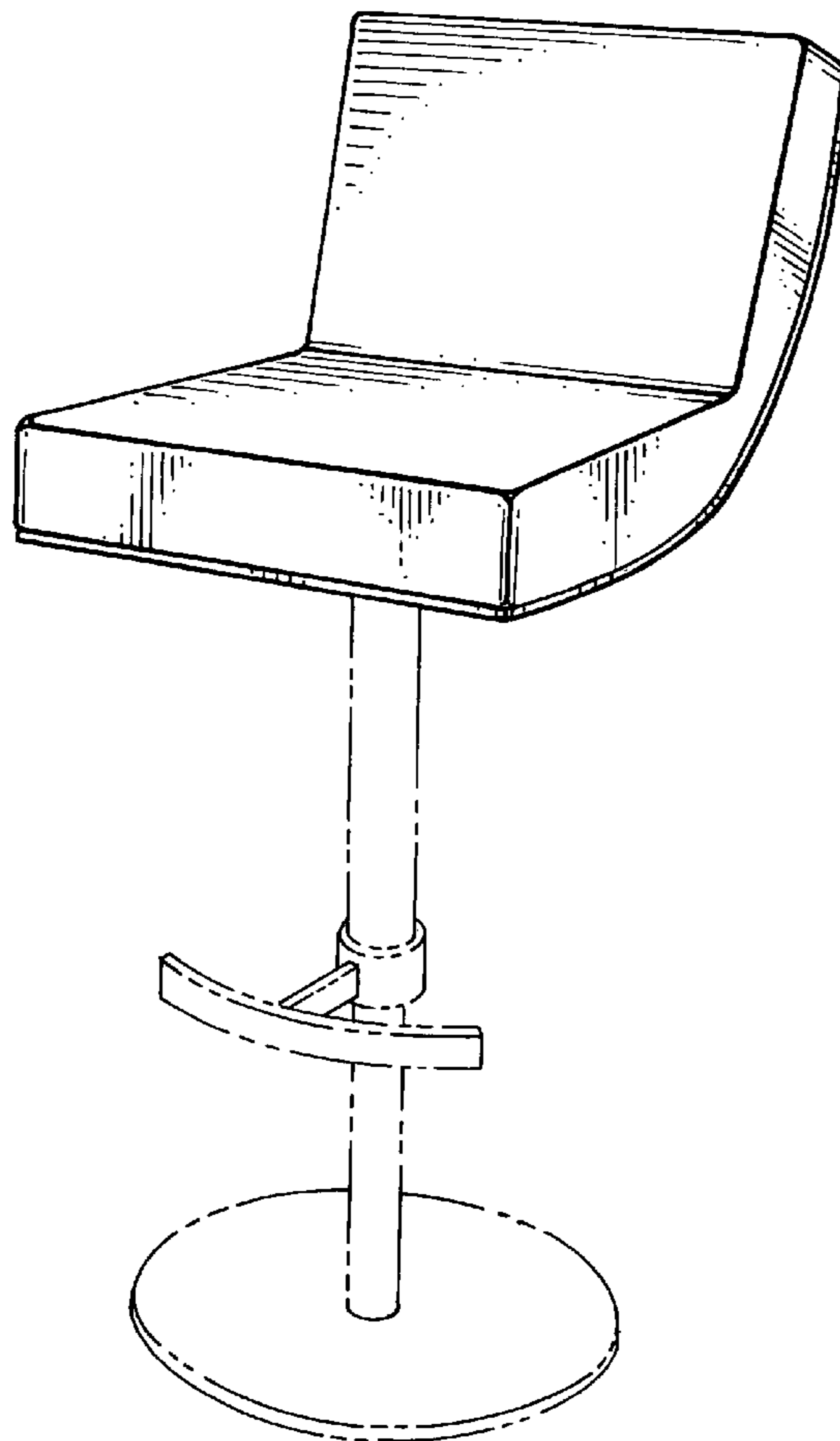
FIG. 5 is a rear elevational view of the stool seat.

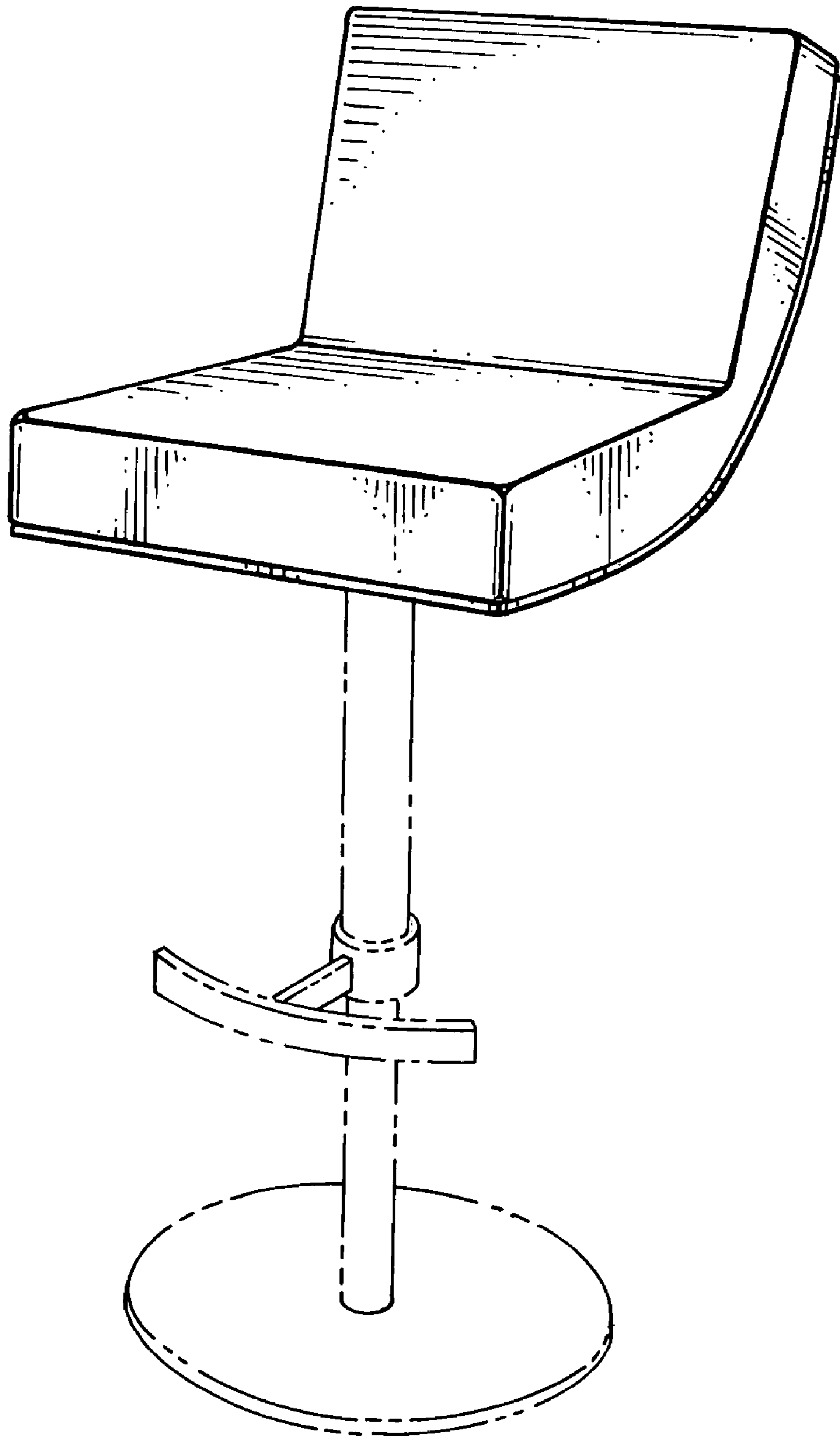
3,188,142	A *	6/1965	Probst	.....	297/452.52
3,669,499	A *	6/1972	Semplonius et al.	...	297/452.14
4,045,080	A *	8/1977	Barecki et al.	.....	297/283.2
D335,037	S *	4/1993	Montague et al.	.....	D6/364
D486,313	S *	2/2004	Manzali	.....	D6/360

FIG. 6 is a top plan view of the stool seat; and,

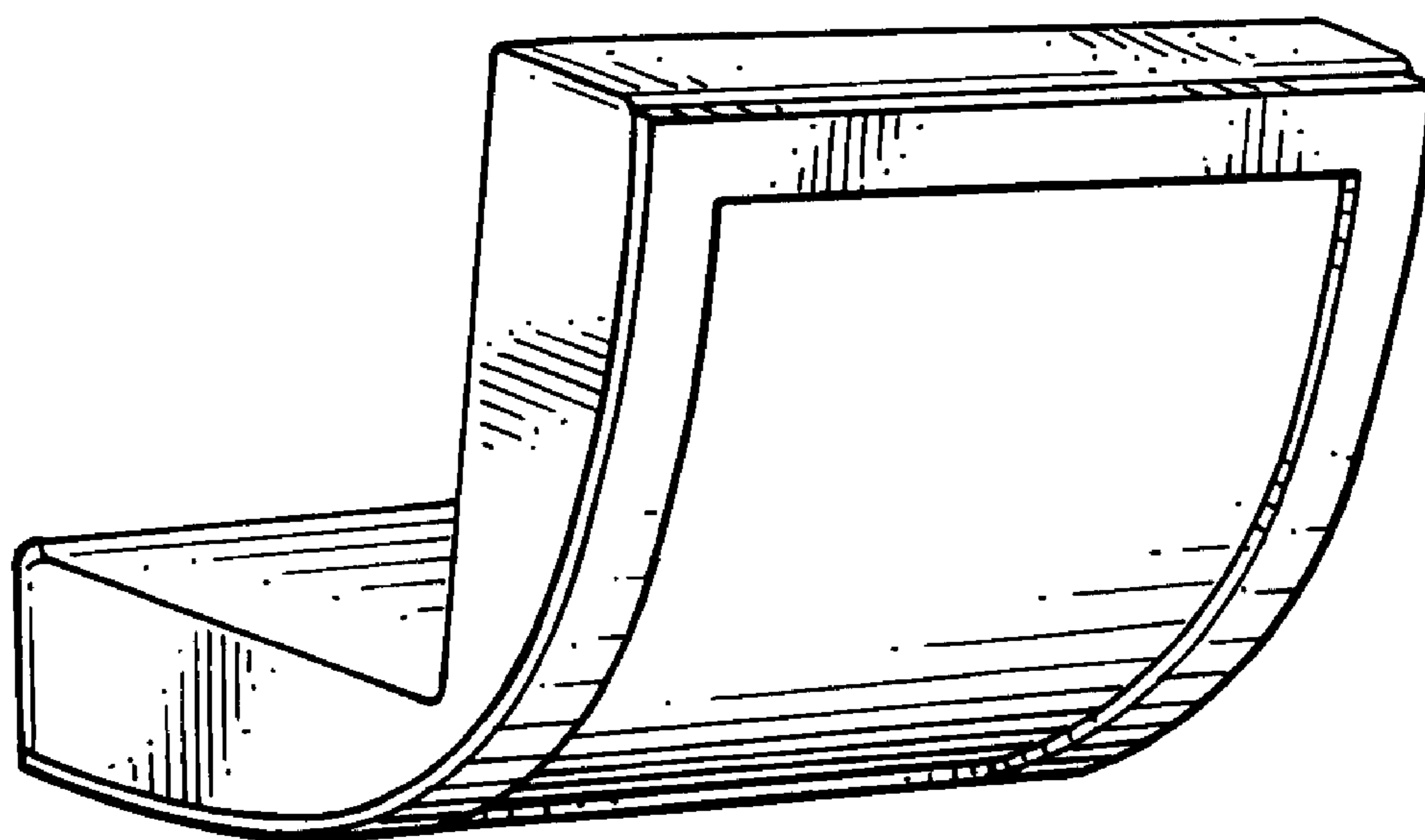
FIG. 7 is a bottom plan view of the stool seat.

**1 Claim, 7 Drawing Sheets**

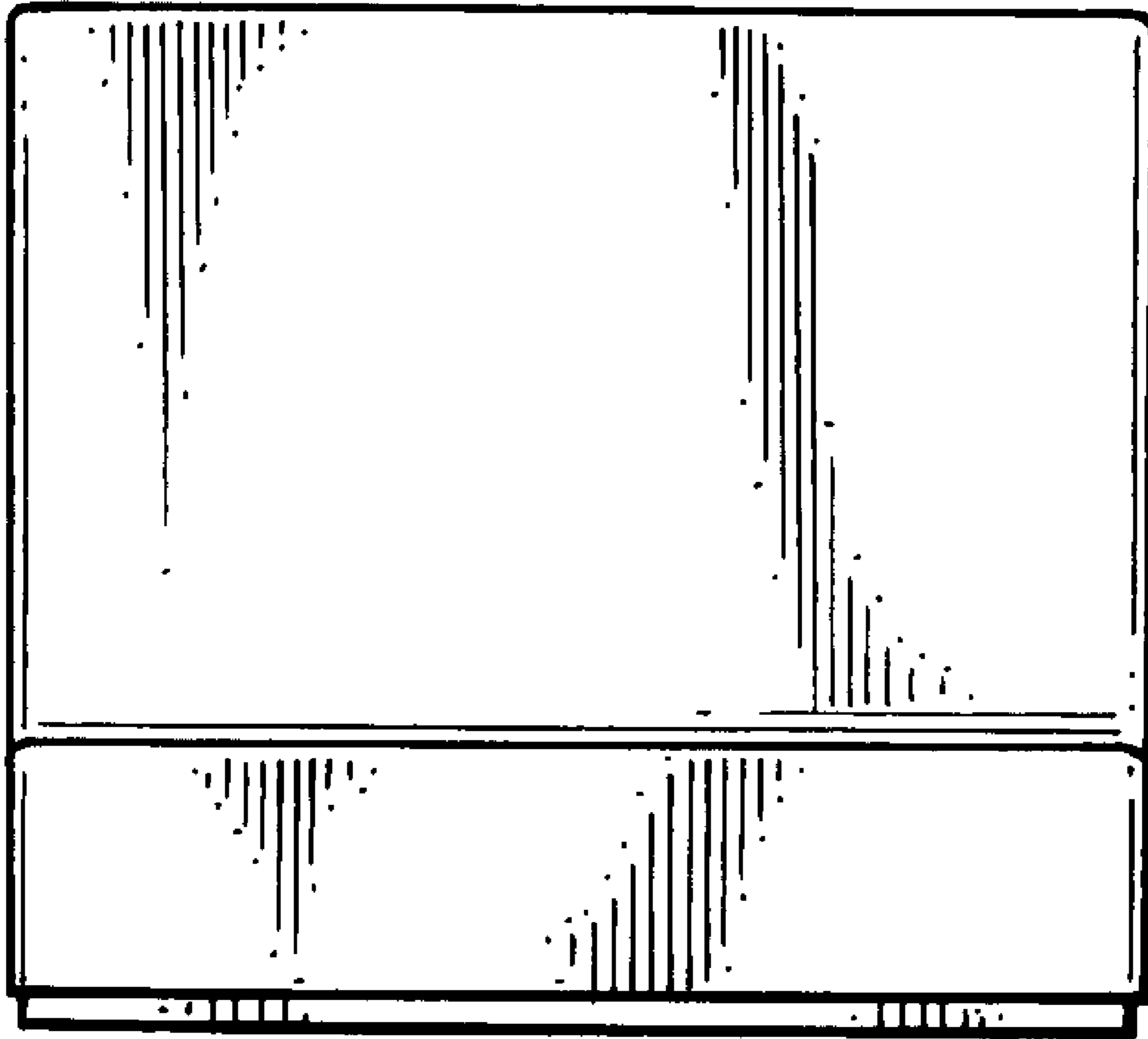




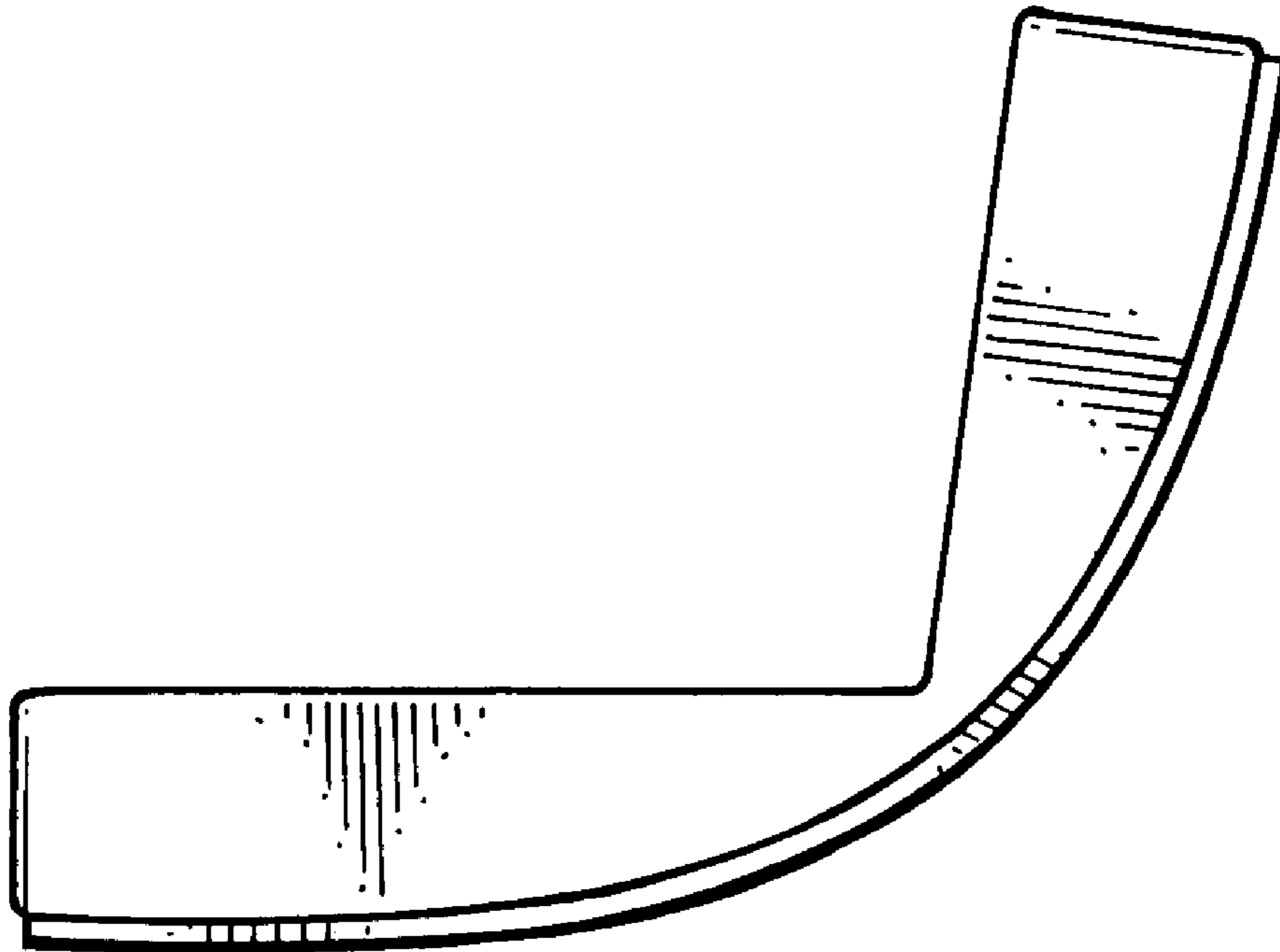
*Fig. 1.*



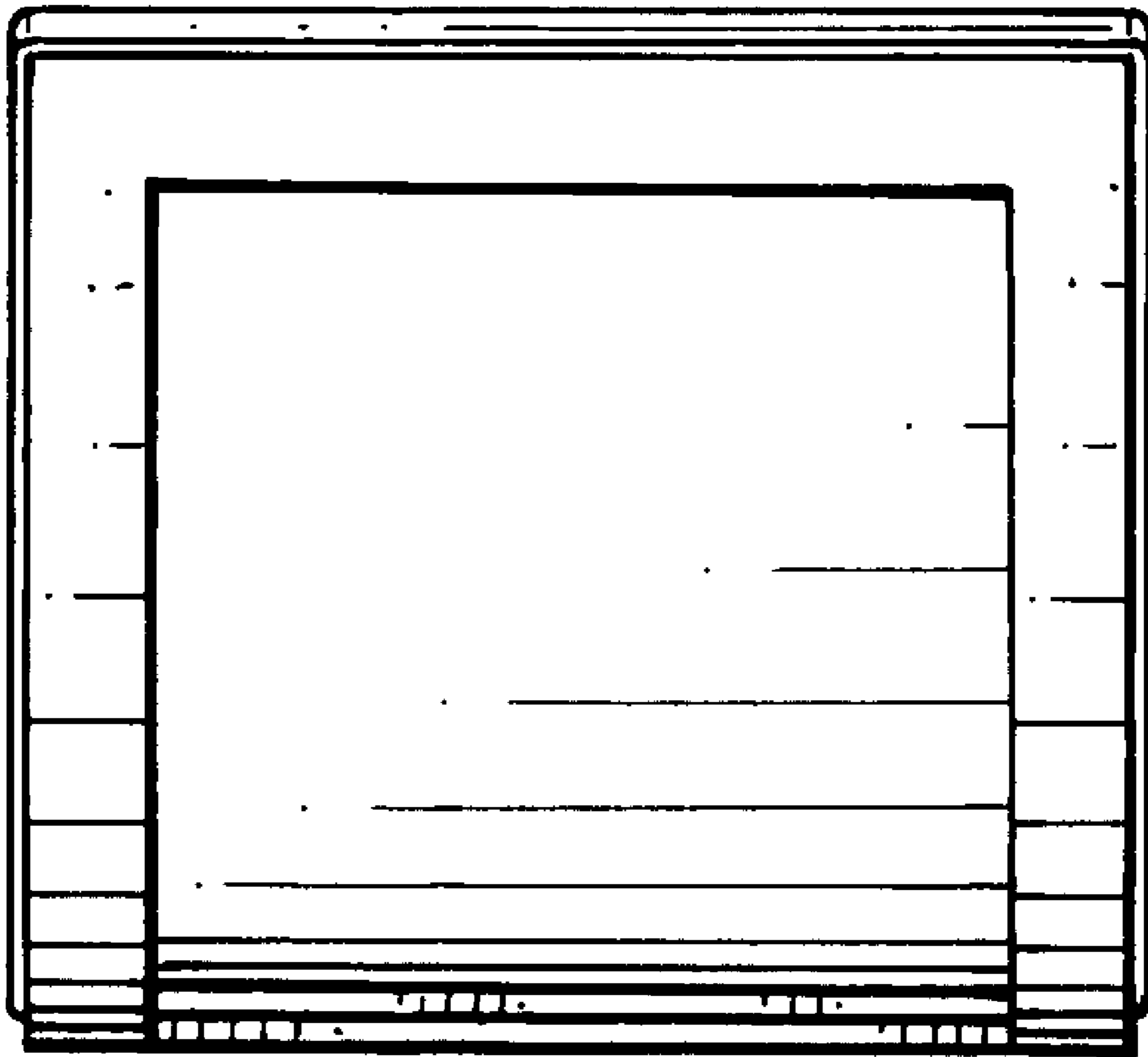
*Fig. 2.*



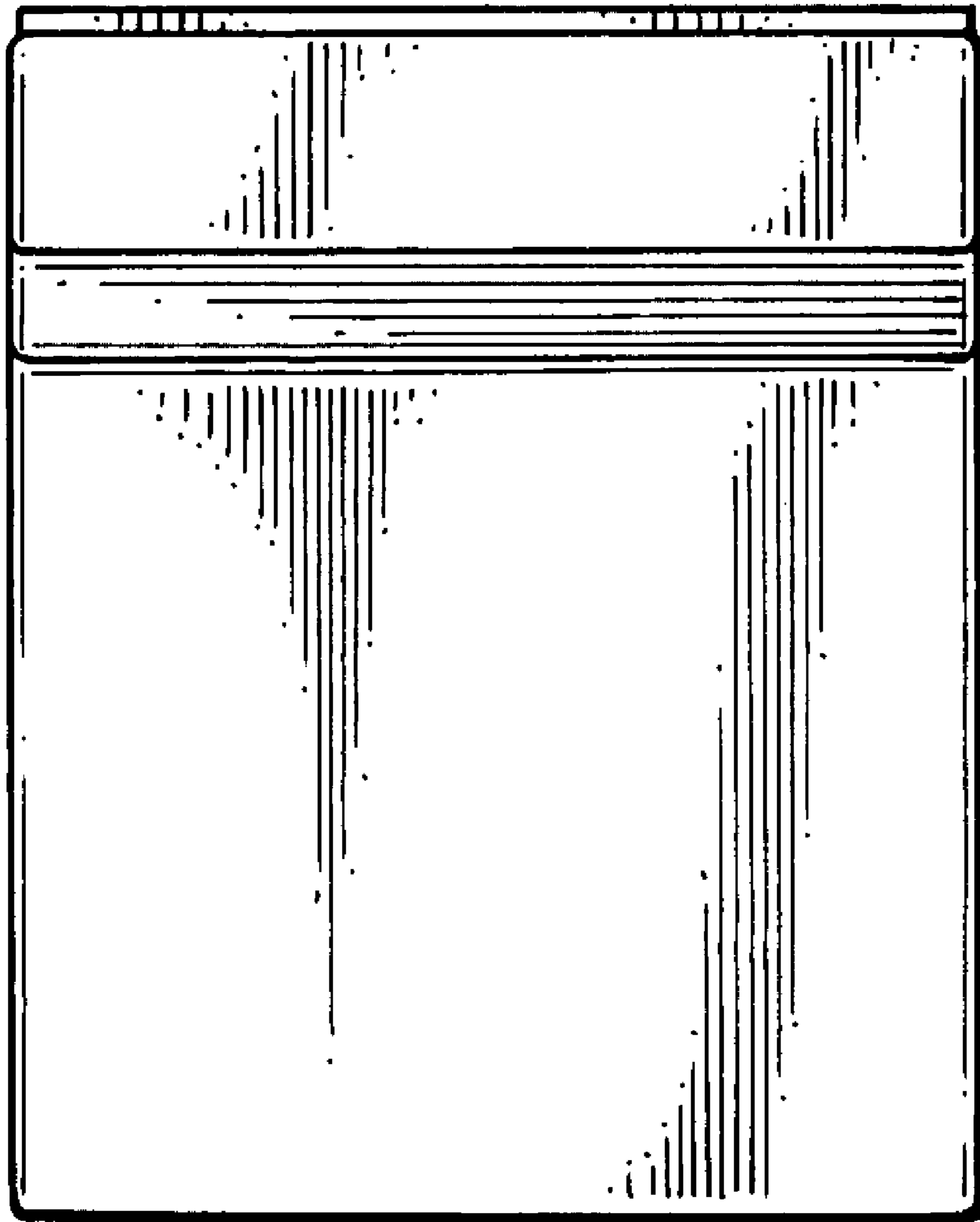
*Fig. 3.*



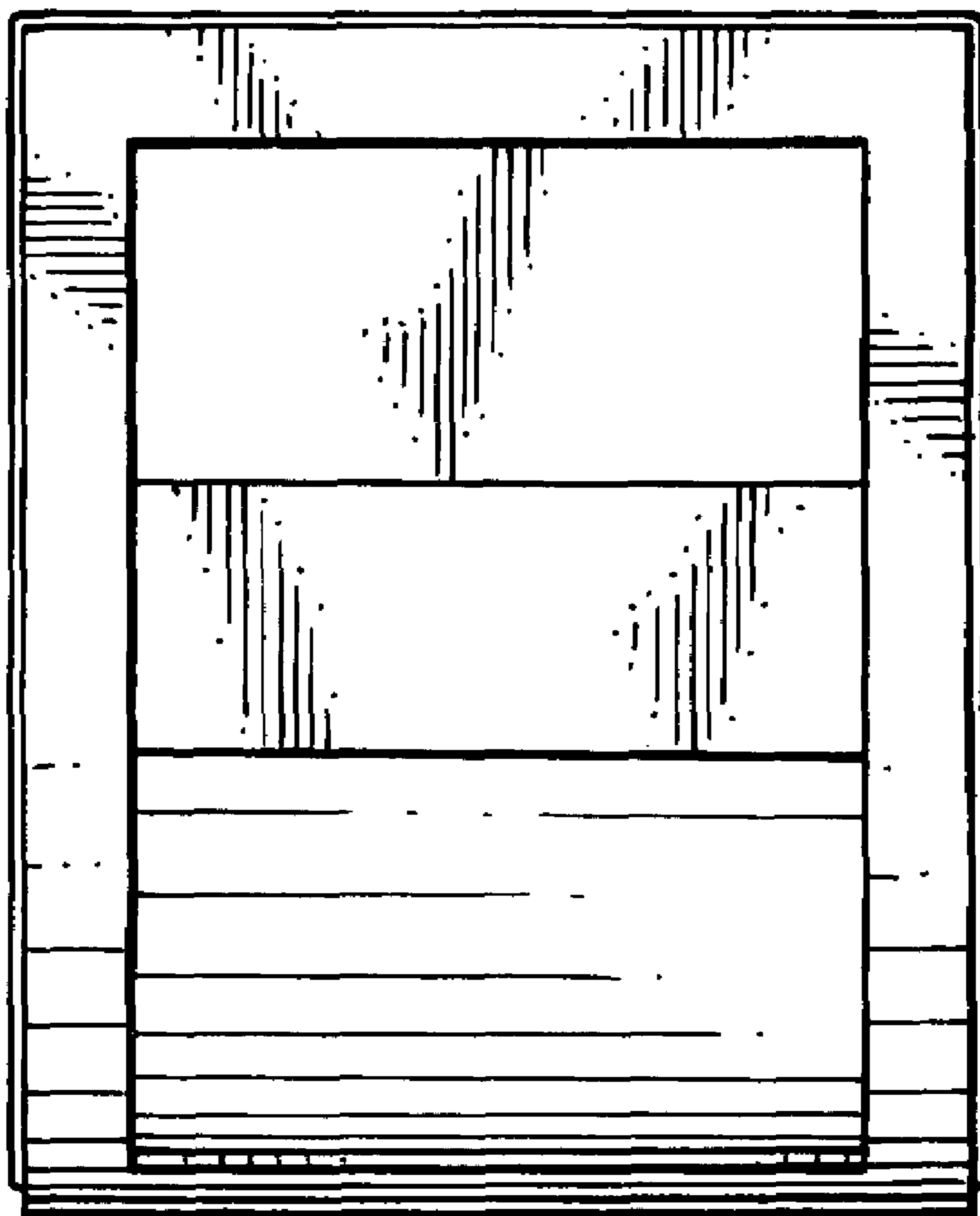
*Fig. 4.*



*Fig. 5.*



***Fig. 6.***



*Fig. 7.*