



US00D573373S

(12) **United States Design Patent**
Brooks et al.

(10) **Patent No.:** **US D573,373 S**
(45) **Date of Patent:** **** Jul. 22, 2008**

(54) **TABLE**
(75) Inventors: **Steven Brooks**, Hickory, NC (US);
David Zagaroli, Hickory, NC (US)
(73) Assignee: **Bassett Mirror Company, Inc.**, Bassett,
VA (US)

(**) Term: **14 Years**
(21) Appl. No.: **29/283,089**
(22) Filed: **Aug. 6, 2007**

(51) **LOC (8) Cl.** **06-03**
(52) **U.S. Cl.** **D6/480**
(58) **Field of Classification Search** D6/480-489,
D6/495-499, 429-431, 511; 108/150, 153.1,
108/155, 156, 161; 248/188, 188.1, 188.8,
248/188.9

See application file for complete search history.

(56) **References Cited**
U.S. PATENT DOCUMENTS

D214,672 S * 7/1969 Ricca D6/488

D237,929 S * 12/1975 Laylon D6/488
D367,785 S * 3/1996 Lewis D6/480
D451,711 S * 12/2001 O'Hare et al. D6/495
D490,254 S * 5/2004 Stanton D6/484
D552,892 S * 10/2007 Everson D6/488
D555,942 S * 11/2007 Adams D6/484

* cited by examiner

Primary Examiner—Janice E Seeger
(74) *Attorney, Agent, or Firm*—Steven Schmid

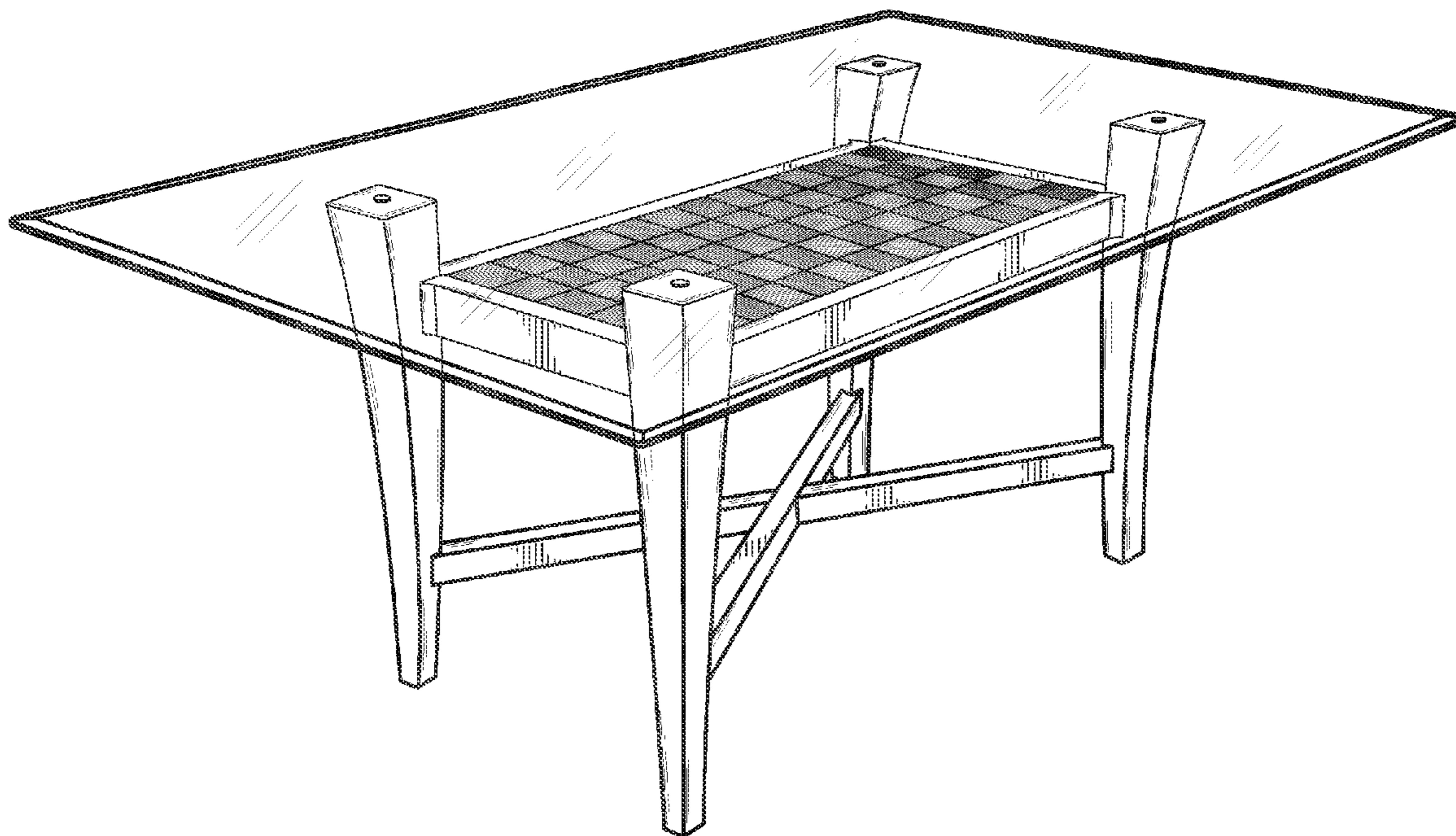
(57) **CLAIM**

We claim the ornamental design for a table, as shown and described.

DESCRIPTION

FIG. 1 is a front perspective view of the table showing my new design;
FIG. 2 is a side view of the elongated portion thereof;
FIG. 3 is a side view of the end portion thereof;
FIG. 4 is a top view thereof; and,
FIG. 5 is a bottom view thereof.

1 Claim, 4 Drawing Sheets



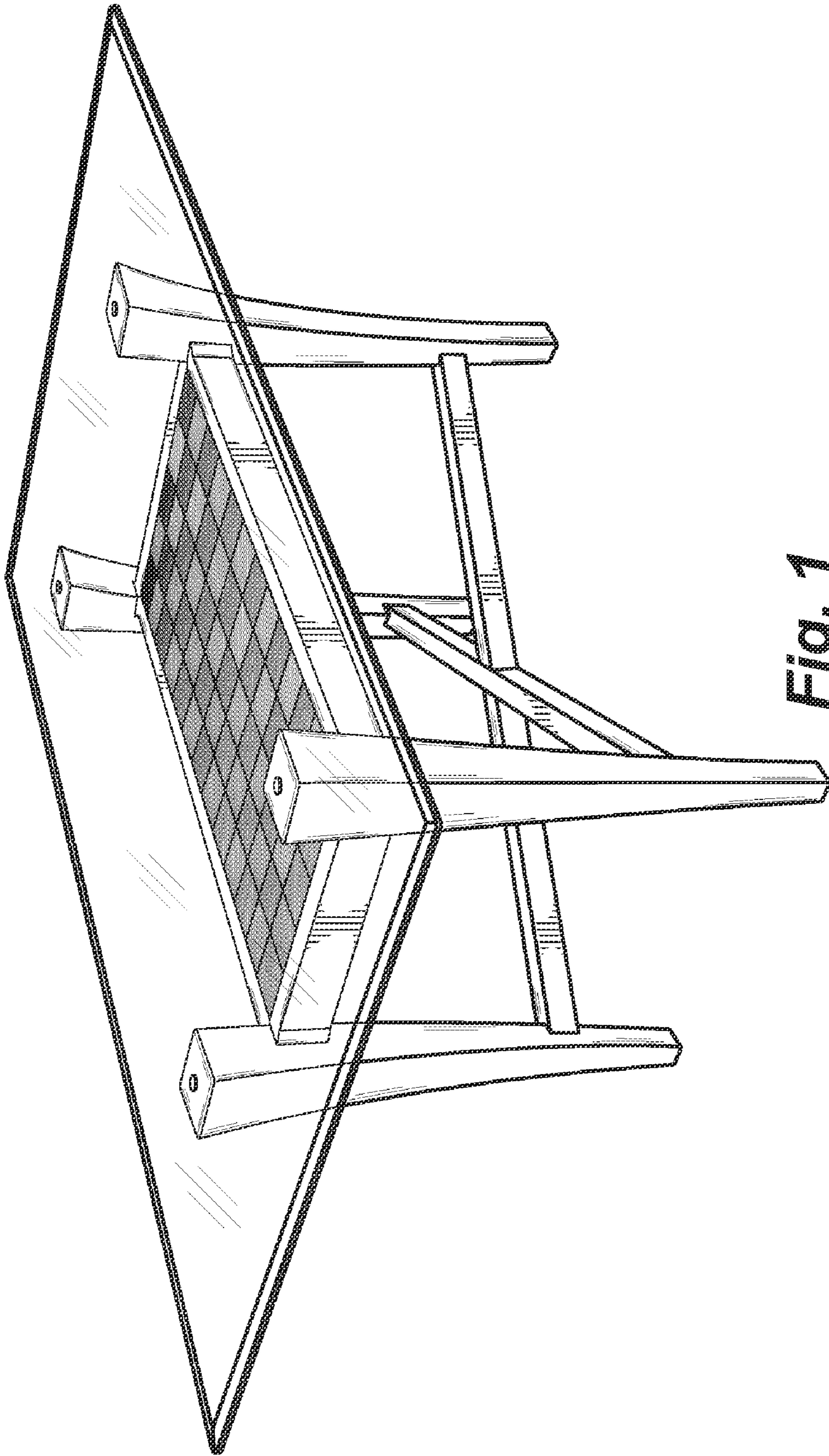


Fig. 1

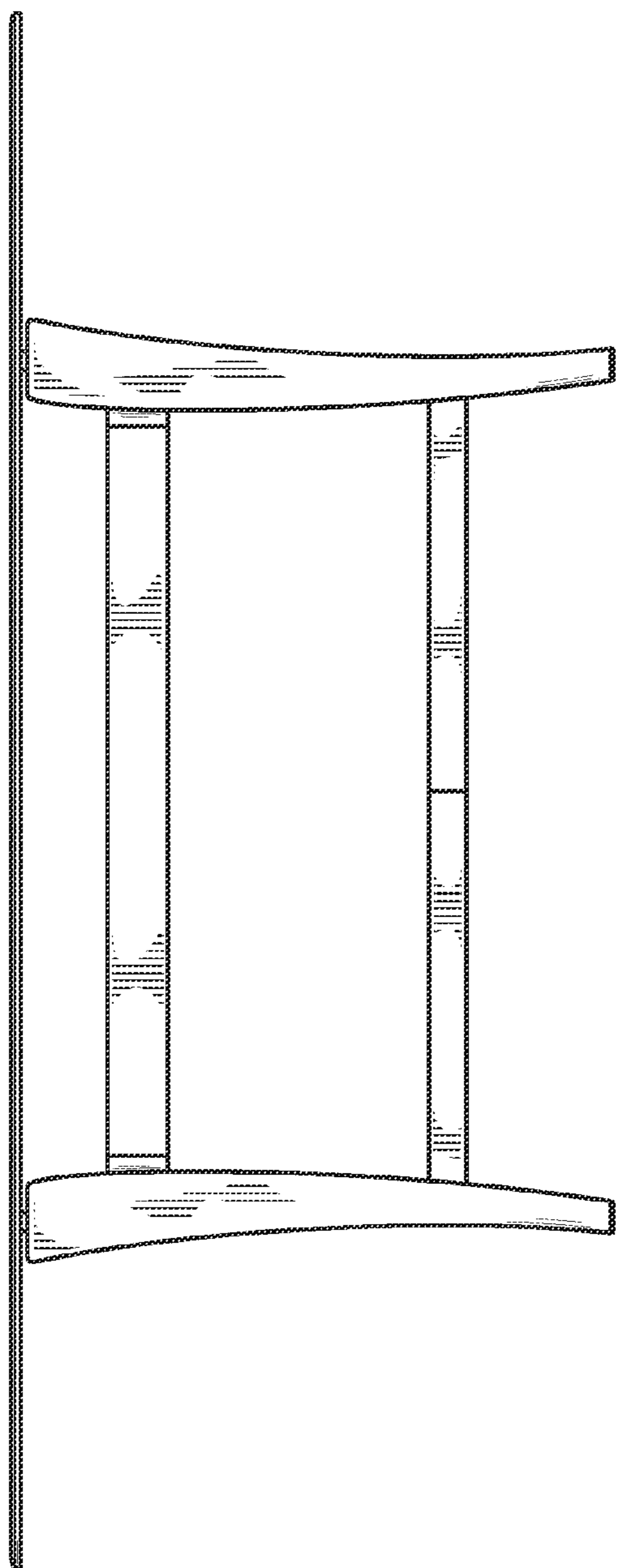


Fig. 2

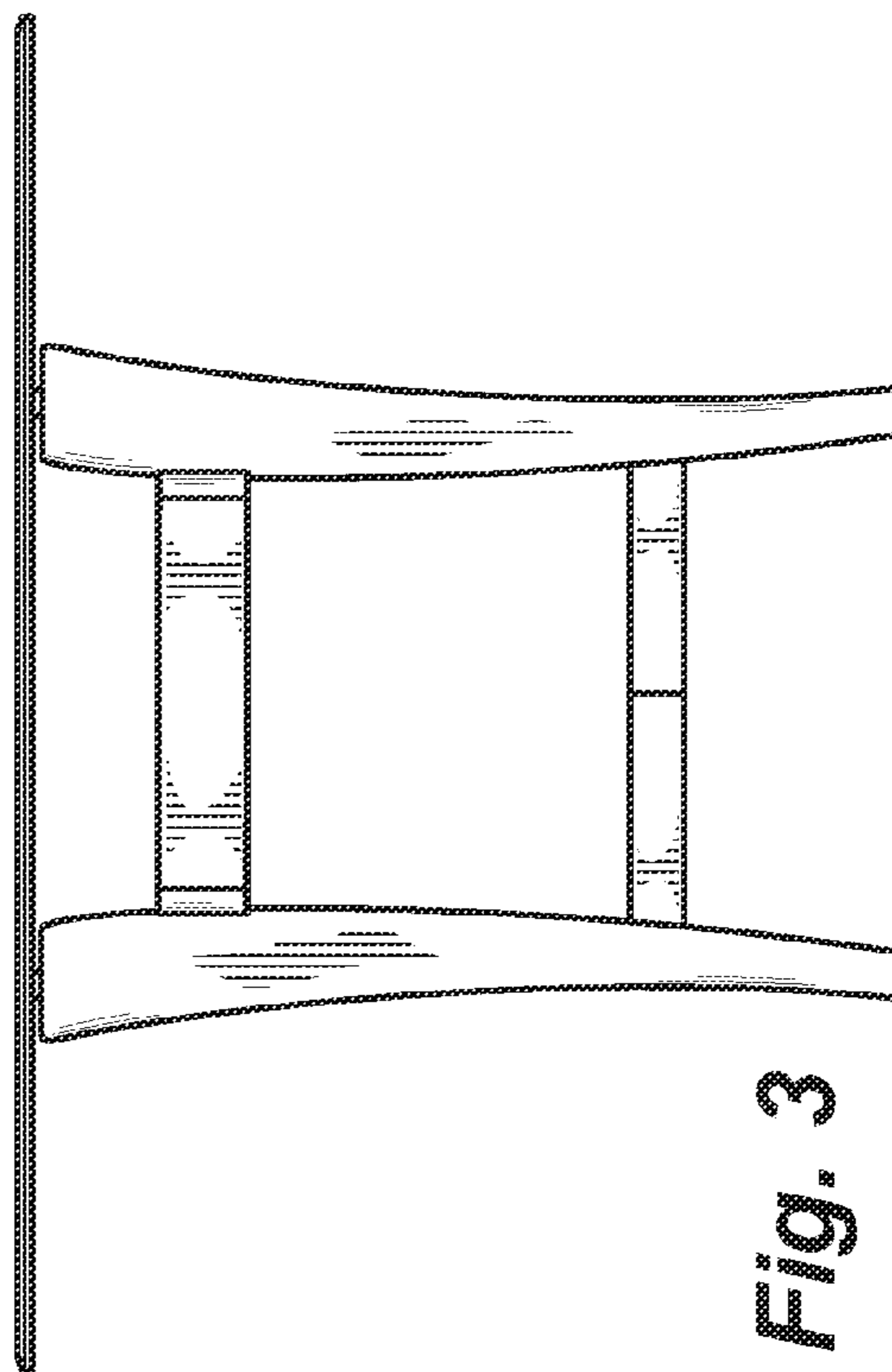


Fig. 3

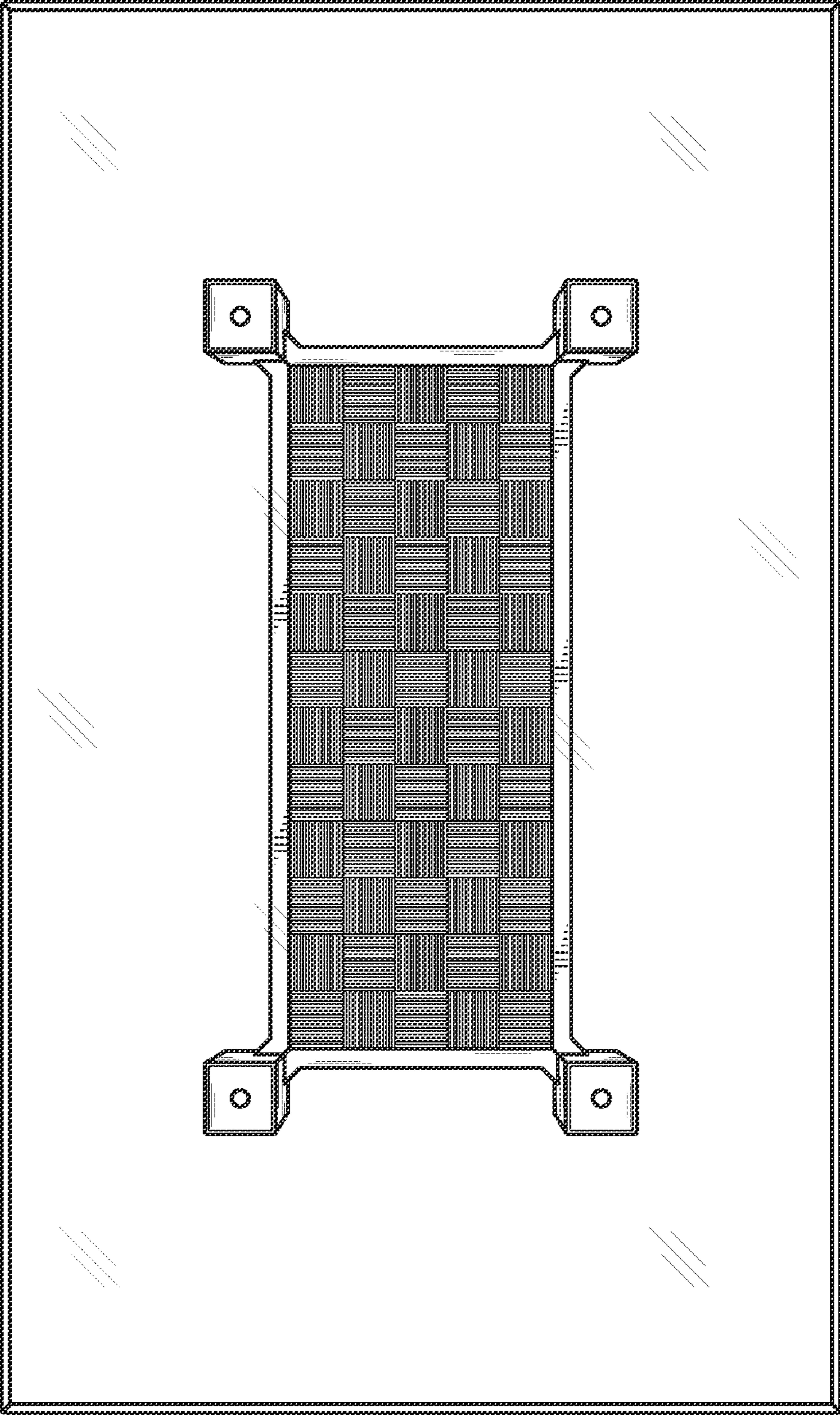


Fig. 4

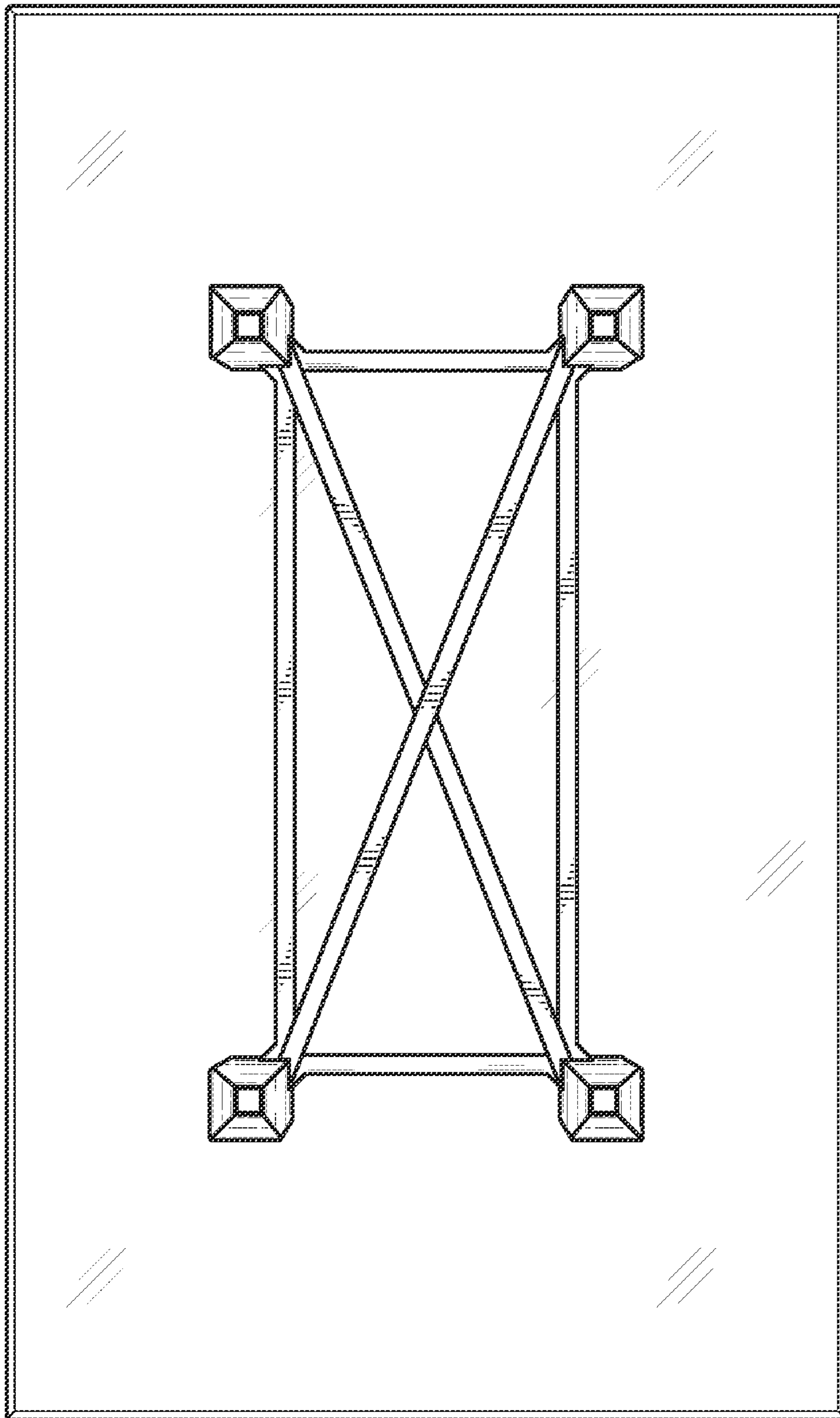


Fig. 5