



US00D573372S

(12) **United States Design Patent**
Gibbs et al.

(10) **Patent No.:** **US D573,372 S**
(45) **Date of Patent:** **** Jul. 22, 2008**

(54) **MODULAR FURNITURE**

(75) Inventors: **Kenneth S Gibbs**, Baldwin, MI (US);
David Field, Holland, MI (US); **Michael**
Wiersema, Holland, MI (US)

(73) Assignee: **The Brill Company**, Ludington, MI
(US)

(**) Term: **14 Years**

(21) Appl. No.: **29/278,110**

(22) Filed: **Mar. 20, 2007**

(51) **LOC (8) Cl.** **06-04**

(52) **U.S. Cl.** **D6/477**

(58) **Field of Classification Search** D6/477-479,
D6/396, 449, 451, 473-474; 108/1, 59, 92,
108/161, 166, 186, 192; 211/90, 186-188
See application file for complete search history.

(56) **References Cited**

U.S. PATENT DOCUMENTS

D269,484 S	6/1983	Thompson
D276,386 S	11/1984	Shaw
4,586,759 A	5/1986	Wrobel
D309,422 S	7/1990	Zitting
D333,048 S	2/1993	deBlois
5,263,210 A	11/1993	Pollard

(Continued)

Primary Examiner—Caron D. Veynar

Assistant Examiner—Kelley A. Donnelly

(74) *Attorney, Agent, or Firm*—Kane & Co., PLC

(57) **CLAIM**

The ornamental design for the modular furniture, as shown and described.

DESCRIPTION

FIG. 1 is an oblique view of one embodiment of the invention; FIG. 2 is a front elevation view of the invention shown in FIG. 1;

FIG. 3 is a side elevation view of the invention shown in FIG. 1, the opposite side being a mirror image of FIG. 3;

FIG. 4 is a rear elevation view of the invention shown in FIG. 1;

FIG. 5 is a top view of the invention shown in FIG. 1;

FIG. 6 is a bottom view of the invention shown in FIG. 1;

FIG. 7 is another oblique view of the invention shown in FIG. 1;

FIG. 8 is an oblique view of an alternate embodiment of the invention;

FIG. 9 is a front elevation view of the invention shown in FIG. 8;

FIG. 10 is a side elevation view of the invention shown in FIG. 8, the opposite side view being a mirror image of FIG. 10;

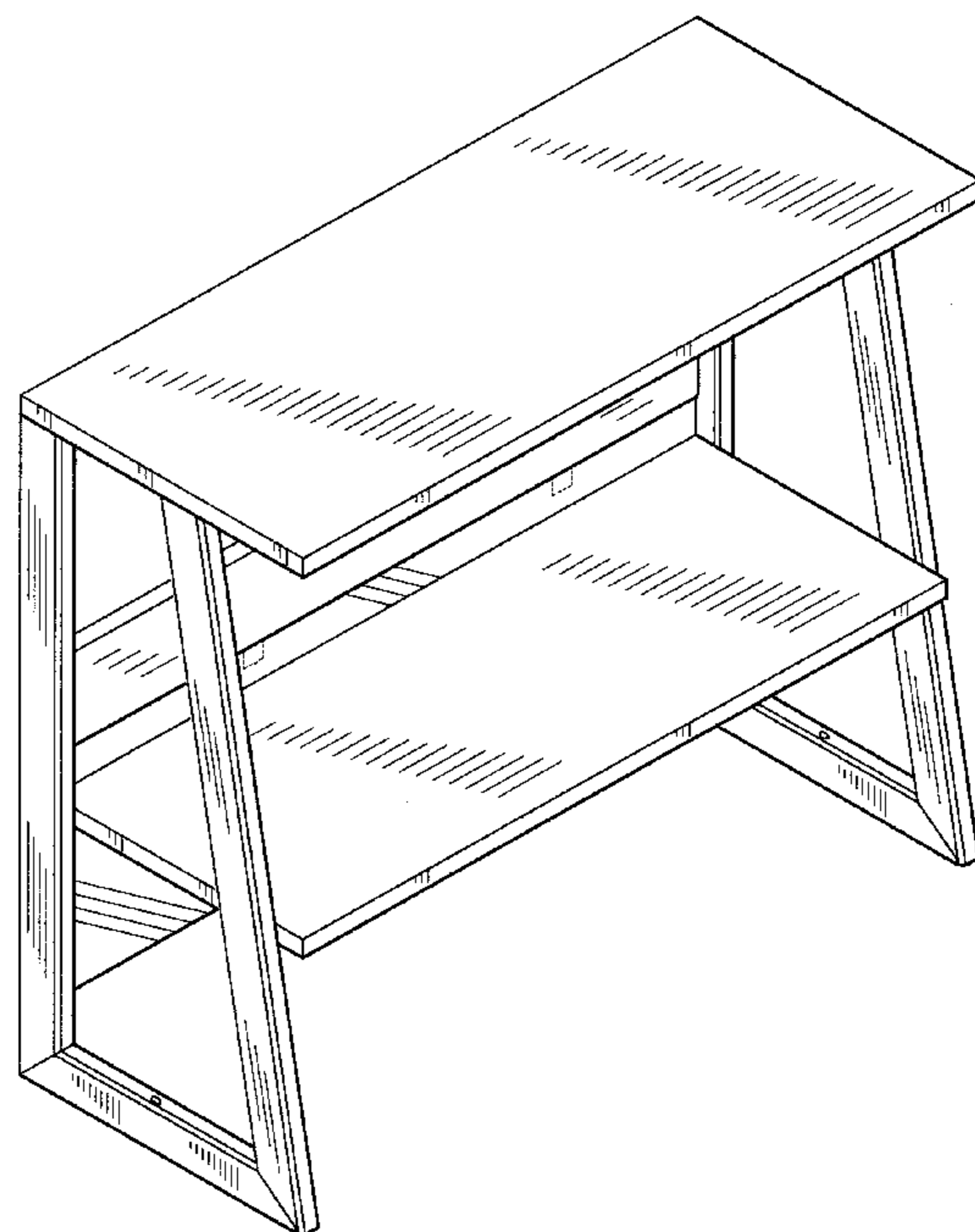
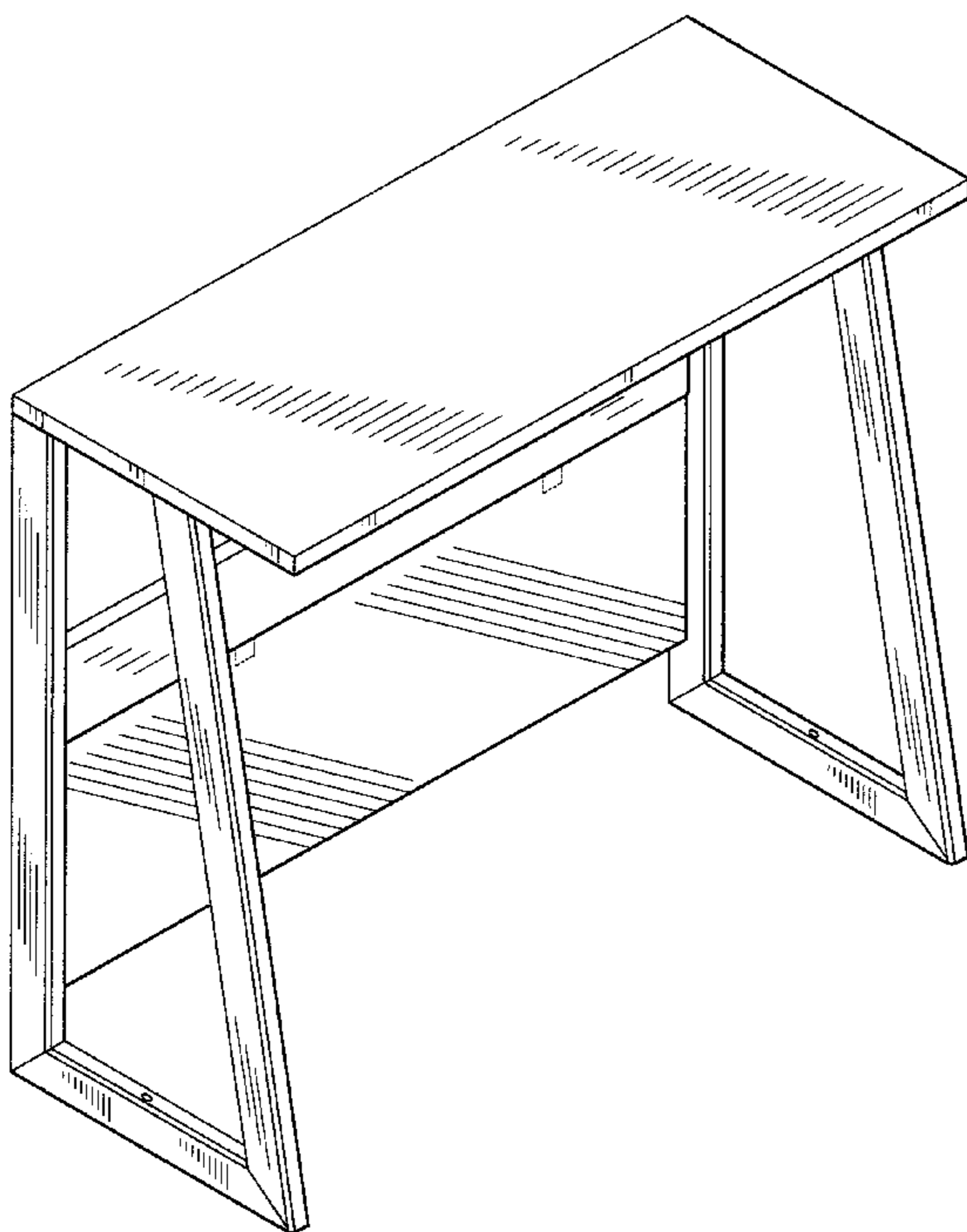
FIG. 11 is a rear elevation view of the invention shown in FIG. 8;

FIG. 12 is a top view of the invention shown in FIG. 8; and,

FIG. 13 is a bottom view of the invention shown in FIG. 8.

The broken lines in the drawings are for environmental purposes only and form no part of the claimed design.

1 Claim, 11 Drawing Sheets



US D573,372 S

Page 2

U.S. PATENT DOCUMENTS			
D346,076 S	4/1994	Brunel	
D349,199 S	8/1994	Woodhams	
5,363,520 A	11/1994	Lyne, Jr.	
D355,546 S *	2/1995	Hewitt	D6/480
D365,709 S *	1/1996	Leveen et al.	D6/474
5,502,850 A	4/1996	Lyne, Jr.	
D379,877 S	6/1997	Tilley	
D381,830 S	8/1997	Fisher	
5,655,234 A	8/1997	Randleas	
D400,025 S	10/1998	Lightner	
5,842,586 A	12/1998	Melby	
D405,288 S	2/1999	Woodhams	
D412,070 S	7/1999	Nesbit	
5,983,420 A	11/1999	Tilley	
D425,727 S *	5/2000	Ishikawa	D6/425
6,152,048 A	11/2000	Vander Park	
D434,587 S *	12/2000	Beard, Sr.	D6/552
D441,559 S	5/2001	Walsh	
6,314,595 B1	11/2001	Price	
6,353,945 B1	3/2002	Jannetides	
6,418,010 B1	7/2002	Sawyer	
6,568,001 B2	5/2003	Walsh	
6,675,410 B1	1/2004	Hennings	
6,721,968 B2	4/2004	Tolleson	
6,721,969 B1	4/2004	Lupo et al.	
D489,548 S *	5/2004	Malizia	D6/477
6,880,185 B1	4/2005	McAdams	
D507,708 S	7/2005	Jannetides	
6,925,665 B1	8/2005	Hennings	
6,948,198 B1	9/2005	Eldersveld	
6,966,080 B2	11/2005	Connell et al.	
D513,370 S	1/2006	Nobile	
6,983,494 B1	1/2006	Jannetides	
7,089,609 B2	8/2006	Jannetides	
7,096,523 B2	8/2006	Hennings et al.	
D532,213 S	11/2006	Jannetides, Sr.	
D545,593 S *	7/2007	Wheeler	D6/478

* cited by examiner

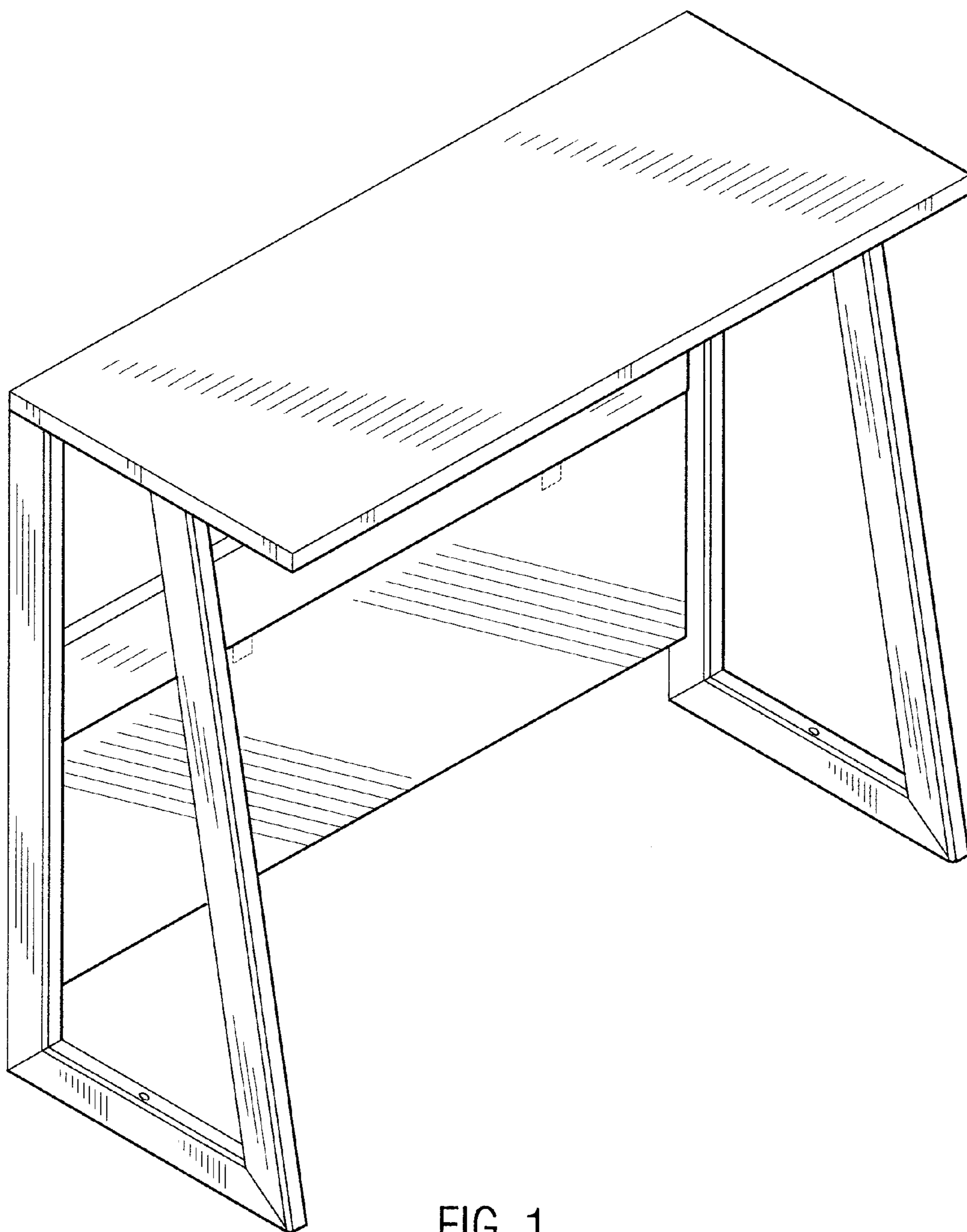


FIG. 1

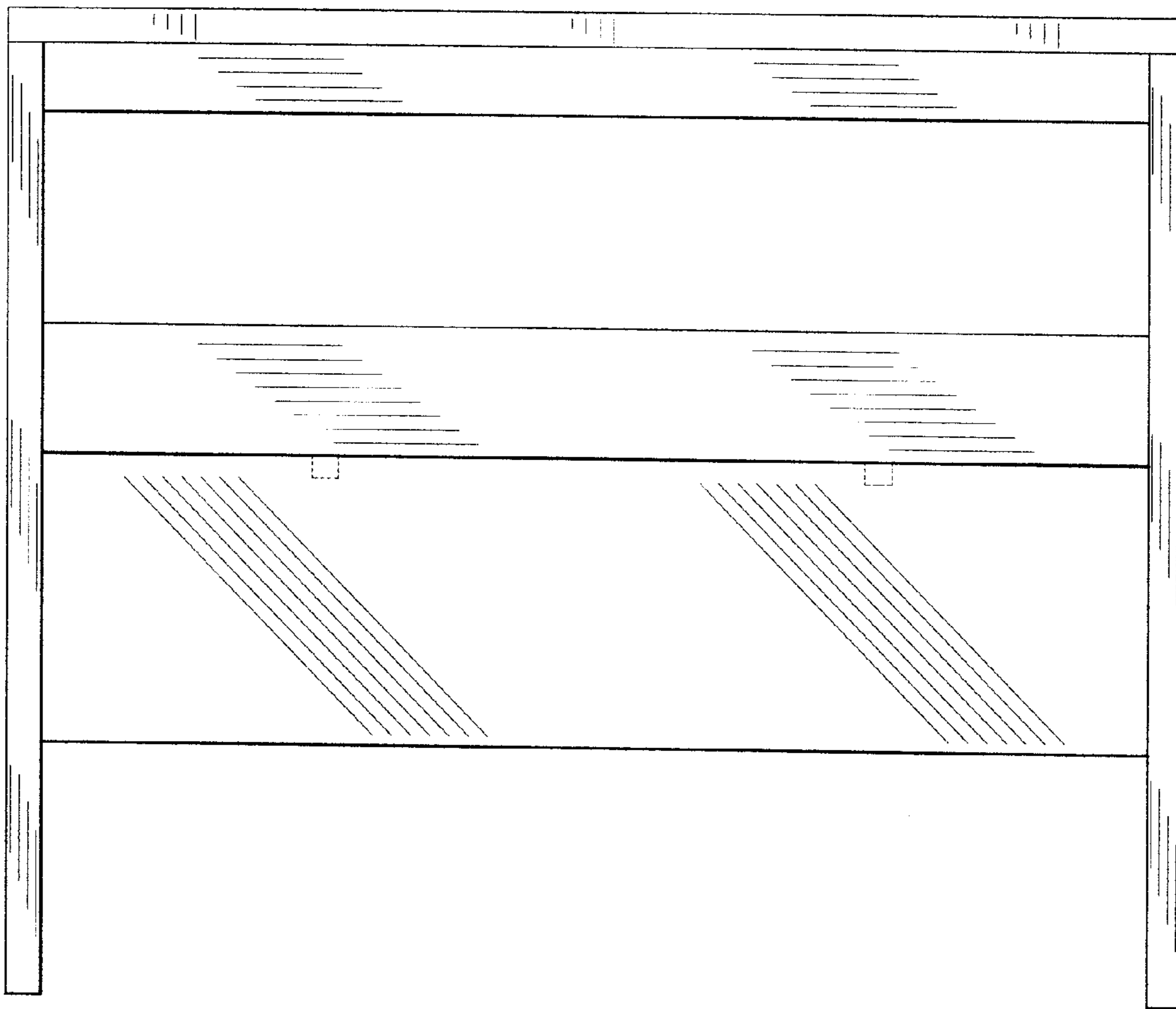


FIG. 2

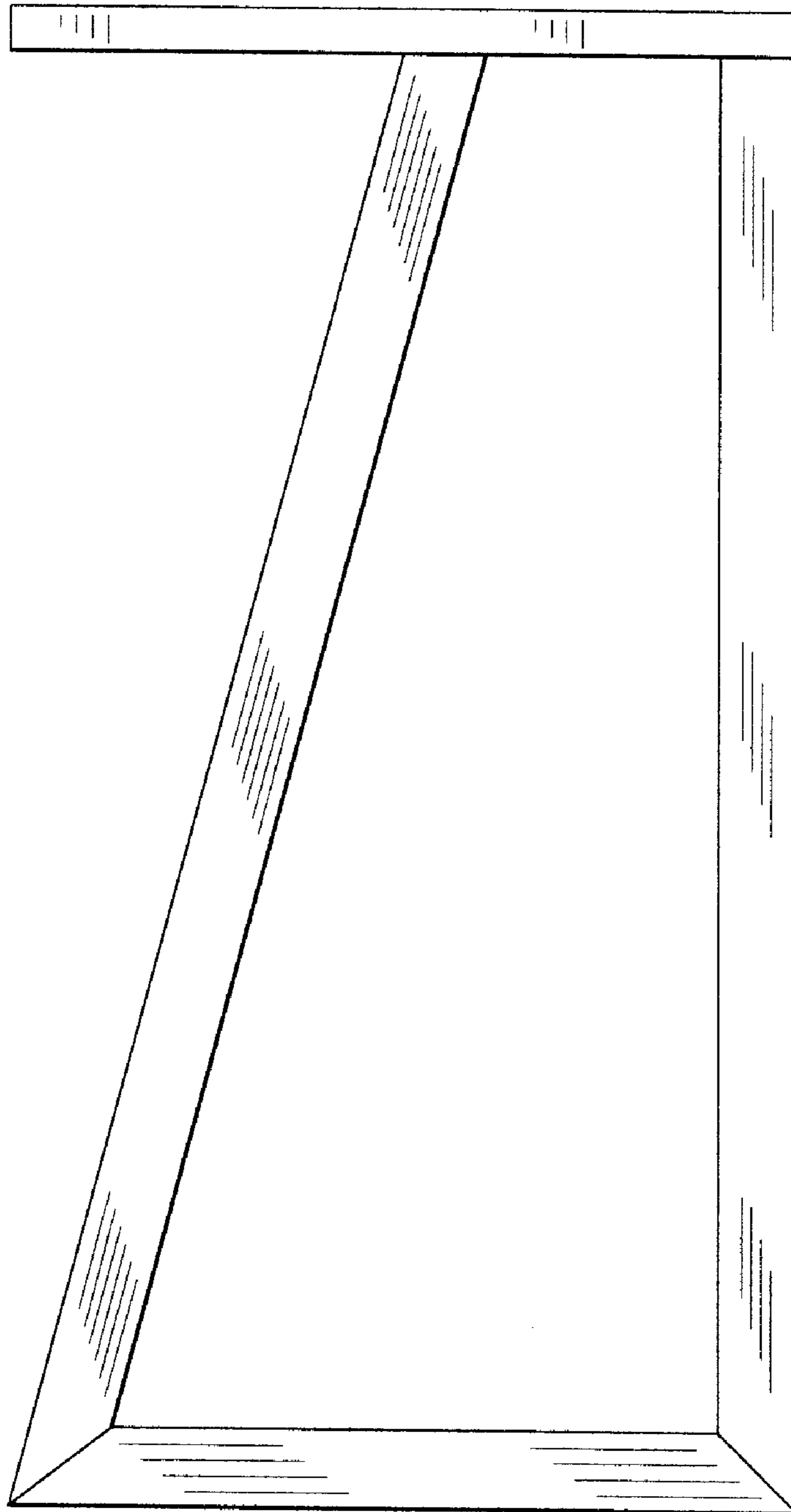


FIG. 3

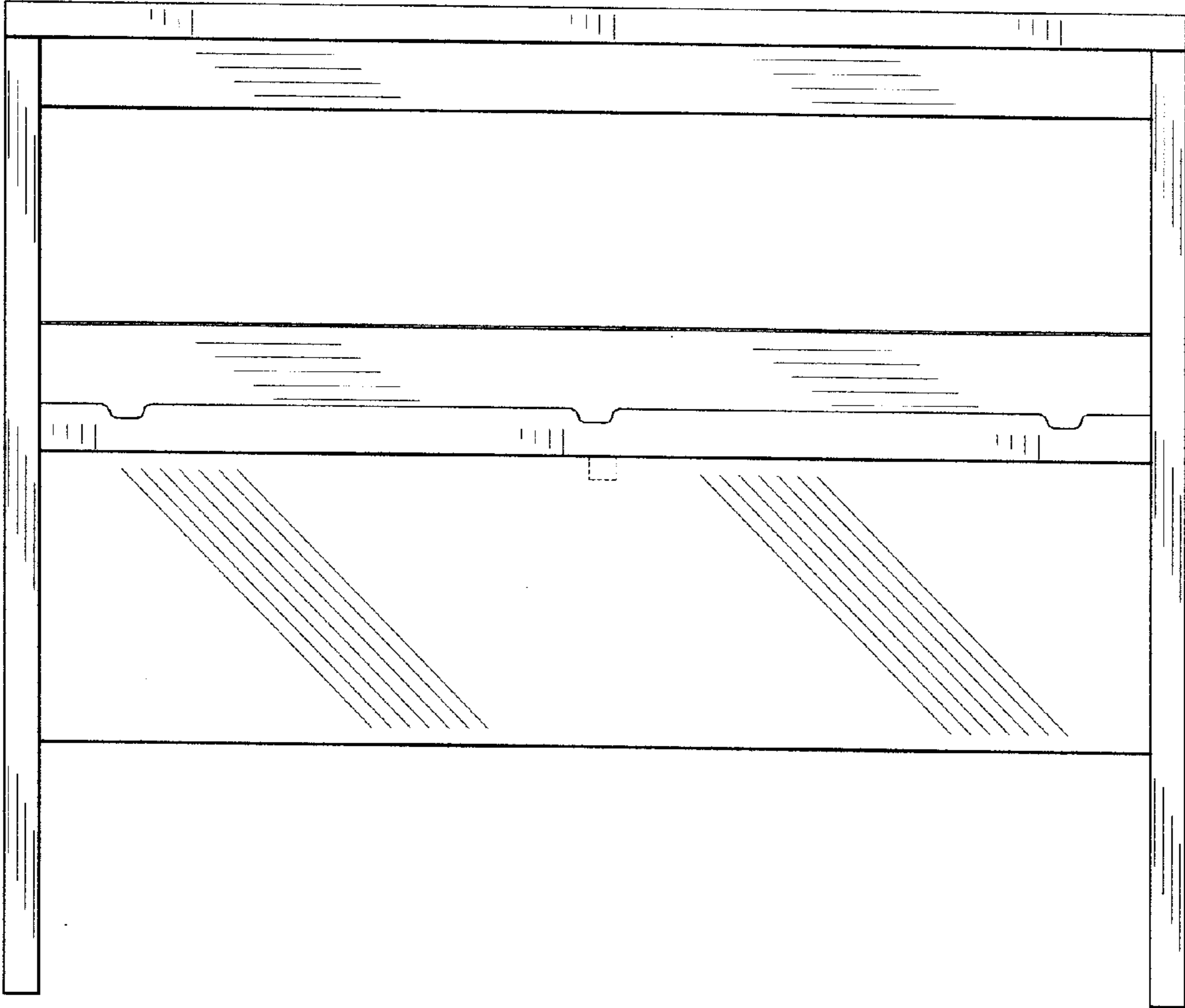


FIG. 4

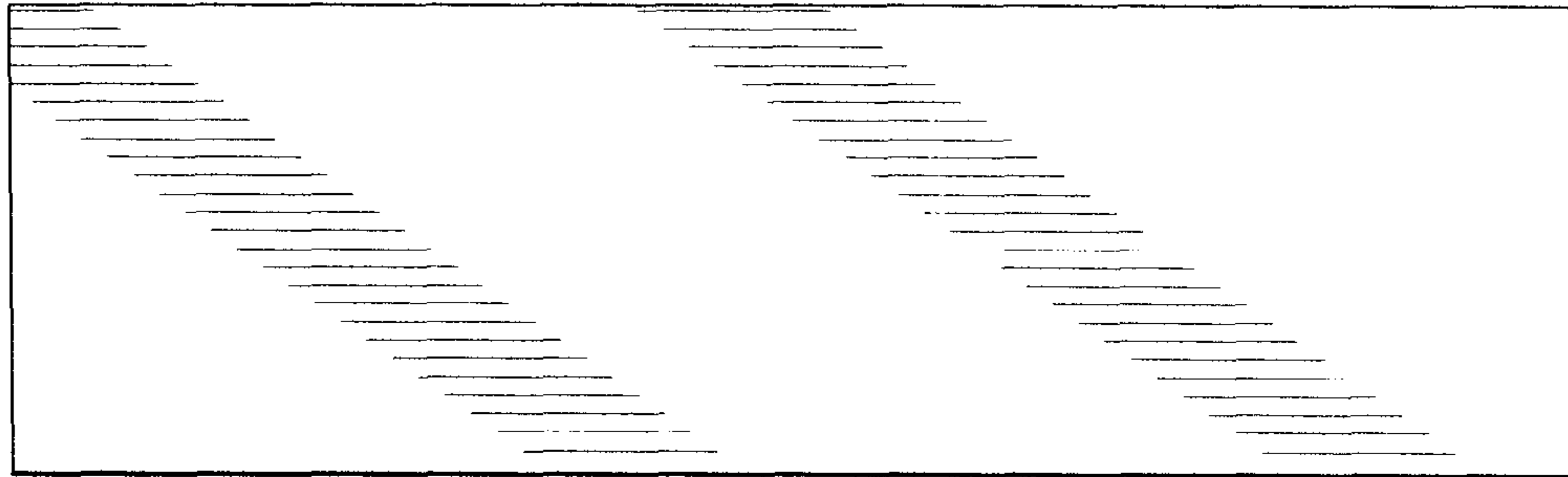


FIG. 5

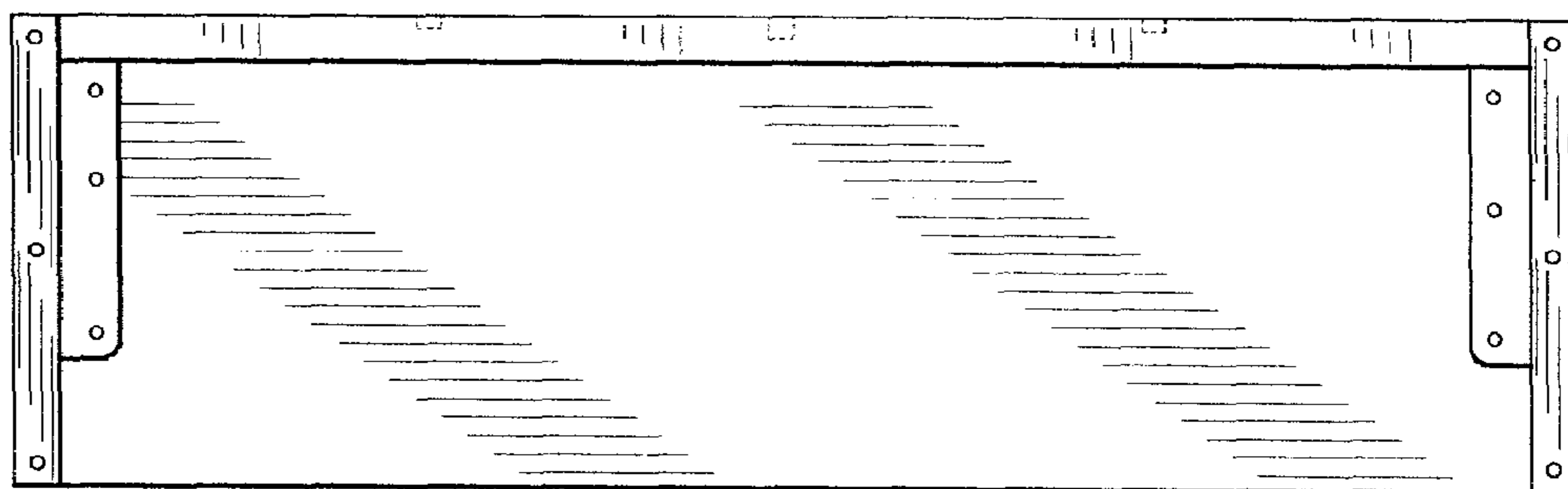


FIG. 6

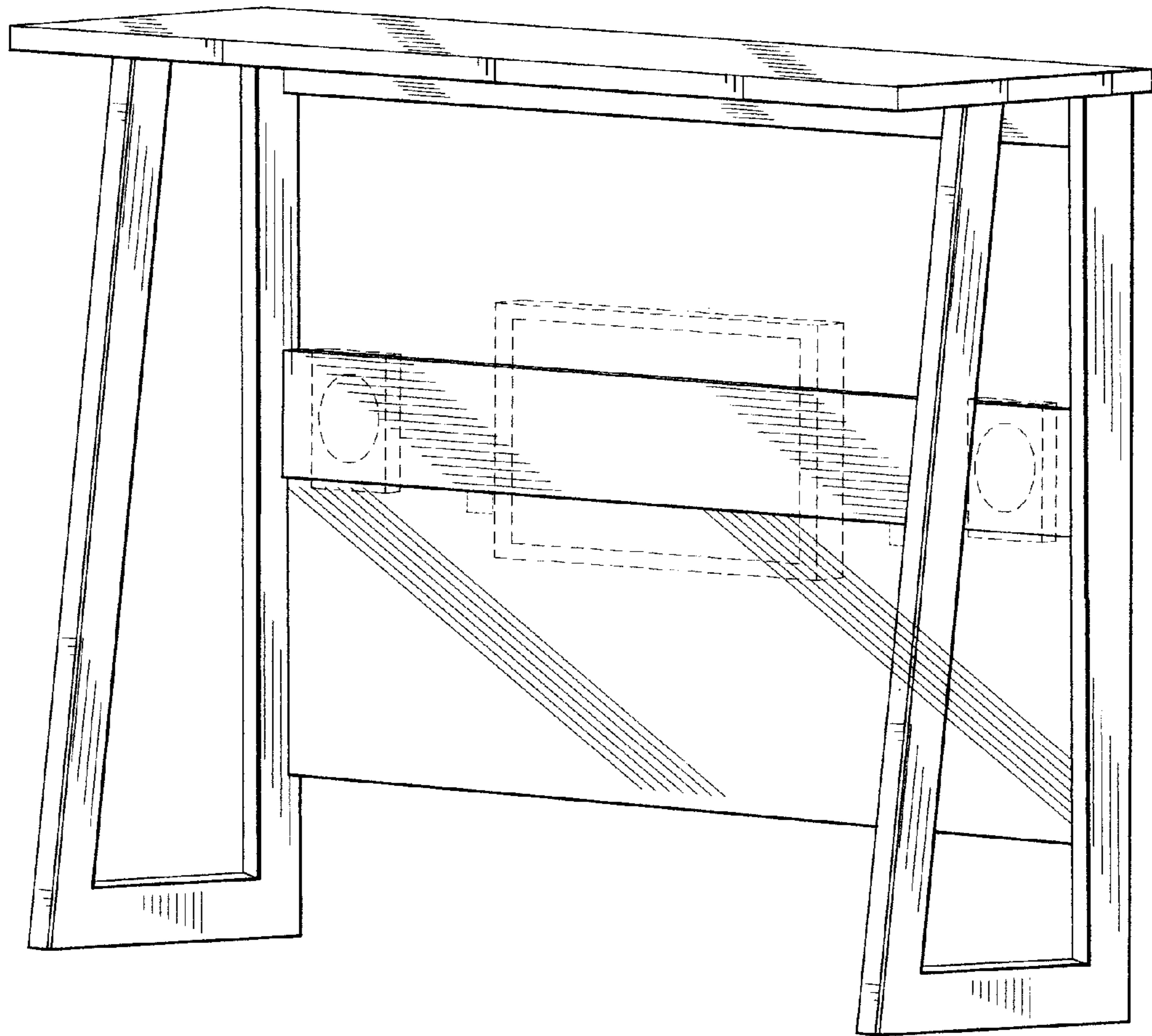


FIG. 7

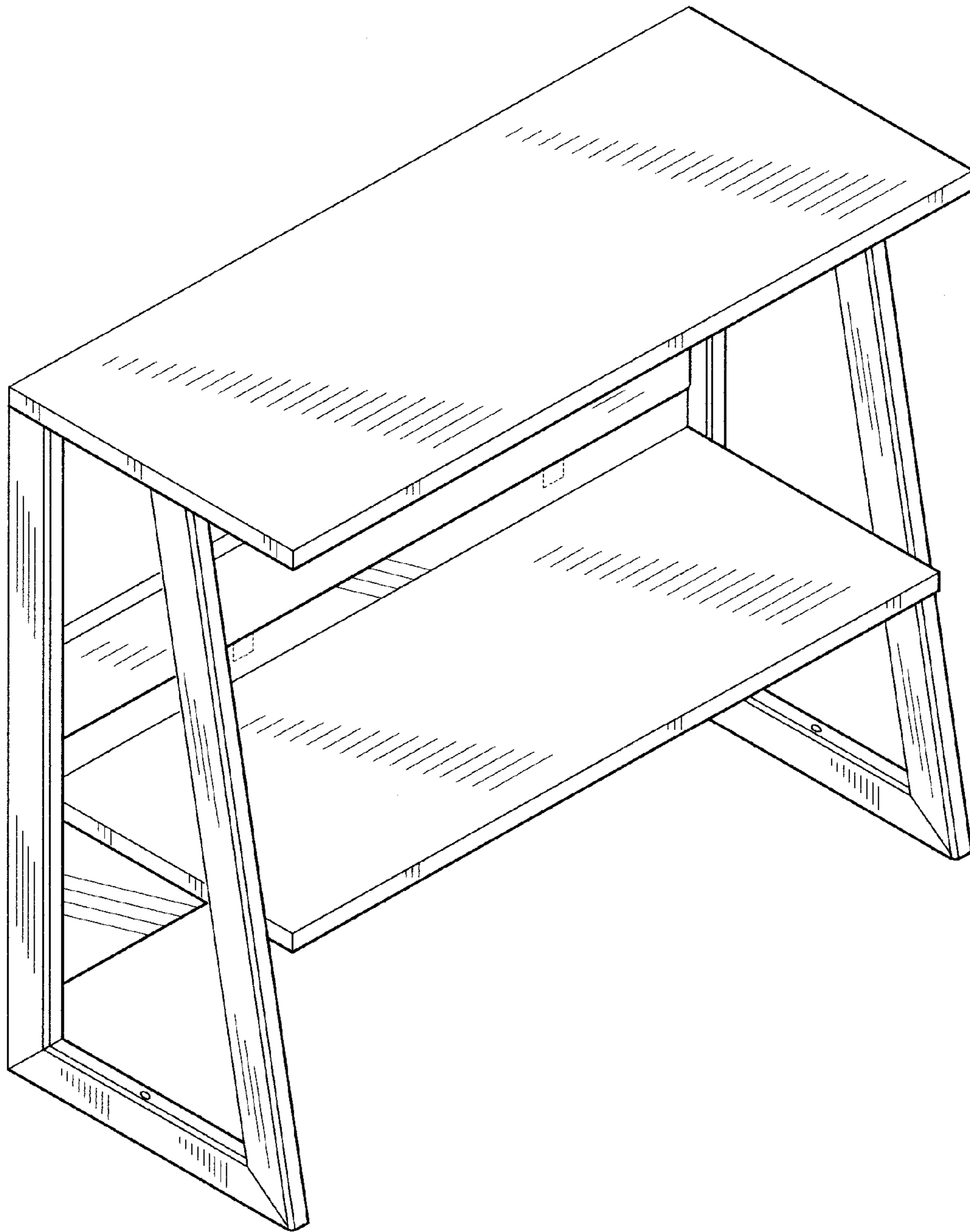


FIG. 8

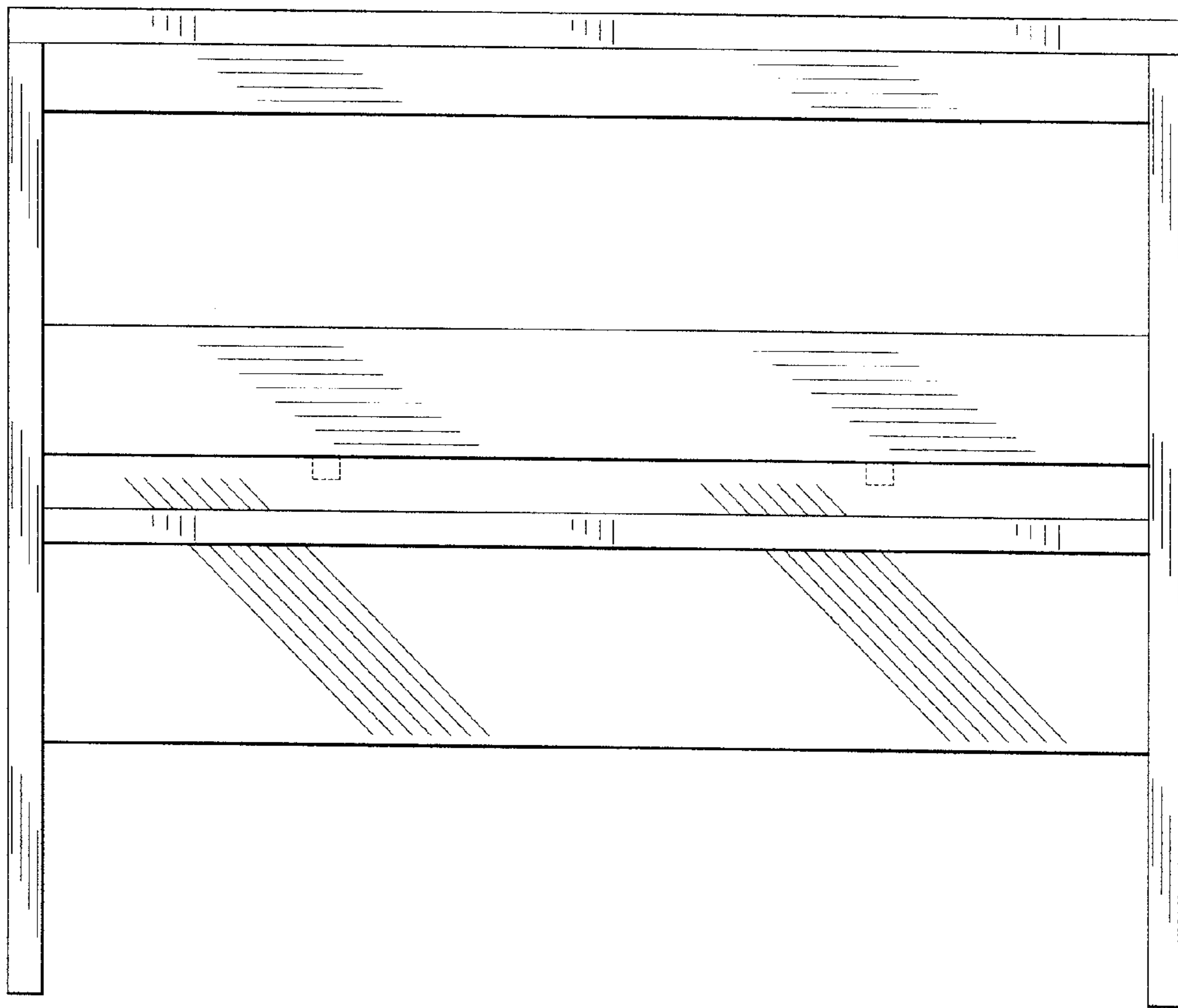


FIG. 9

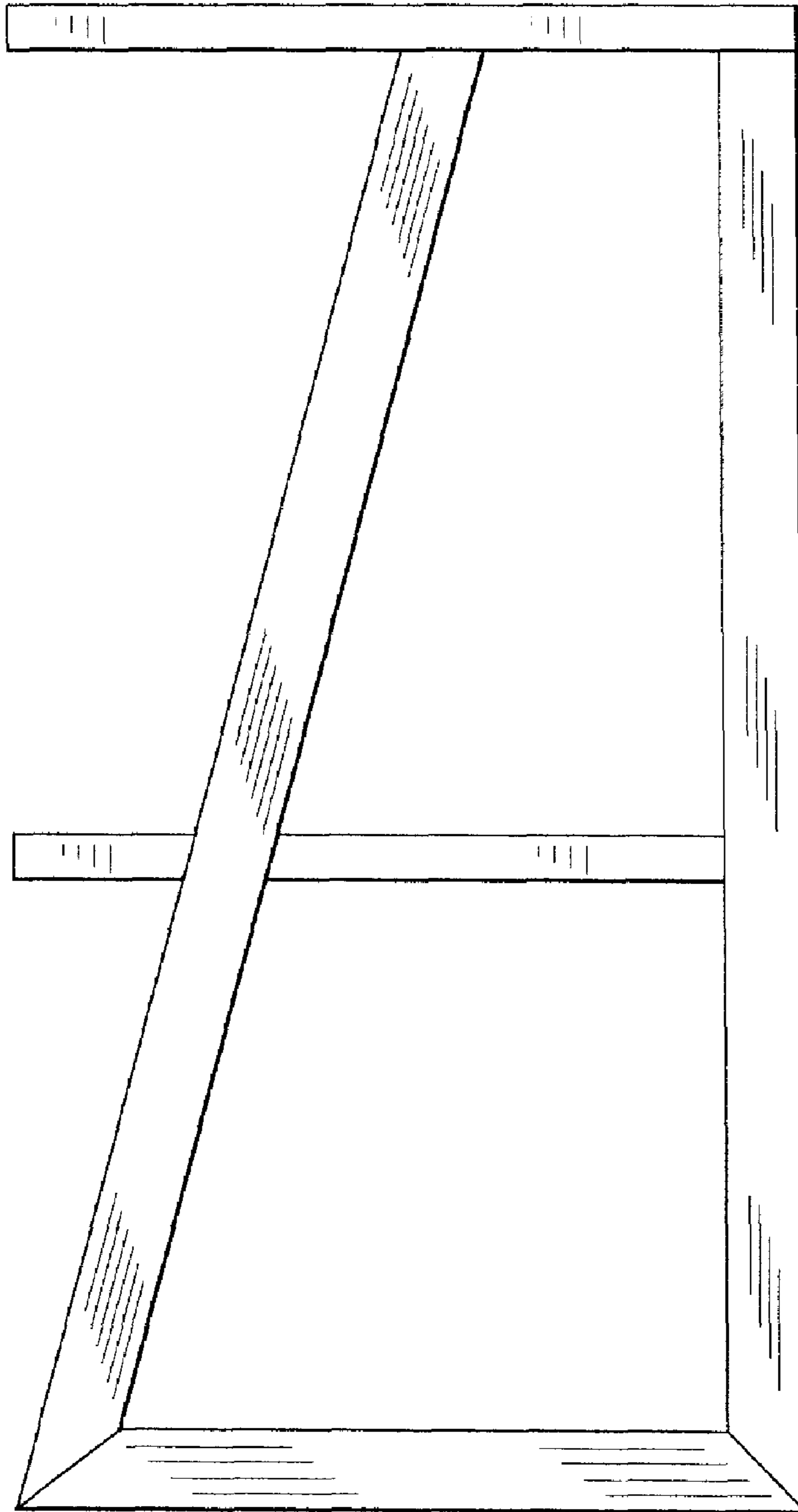


FIG. 10

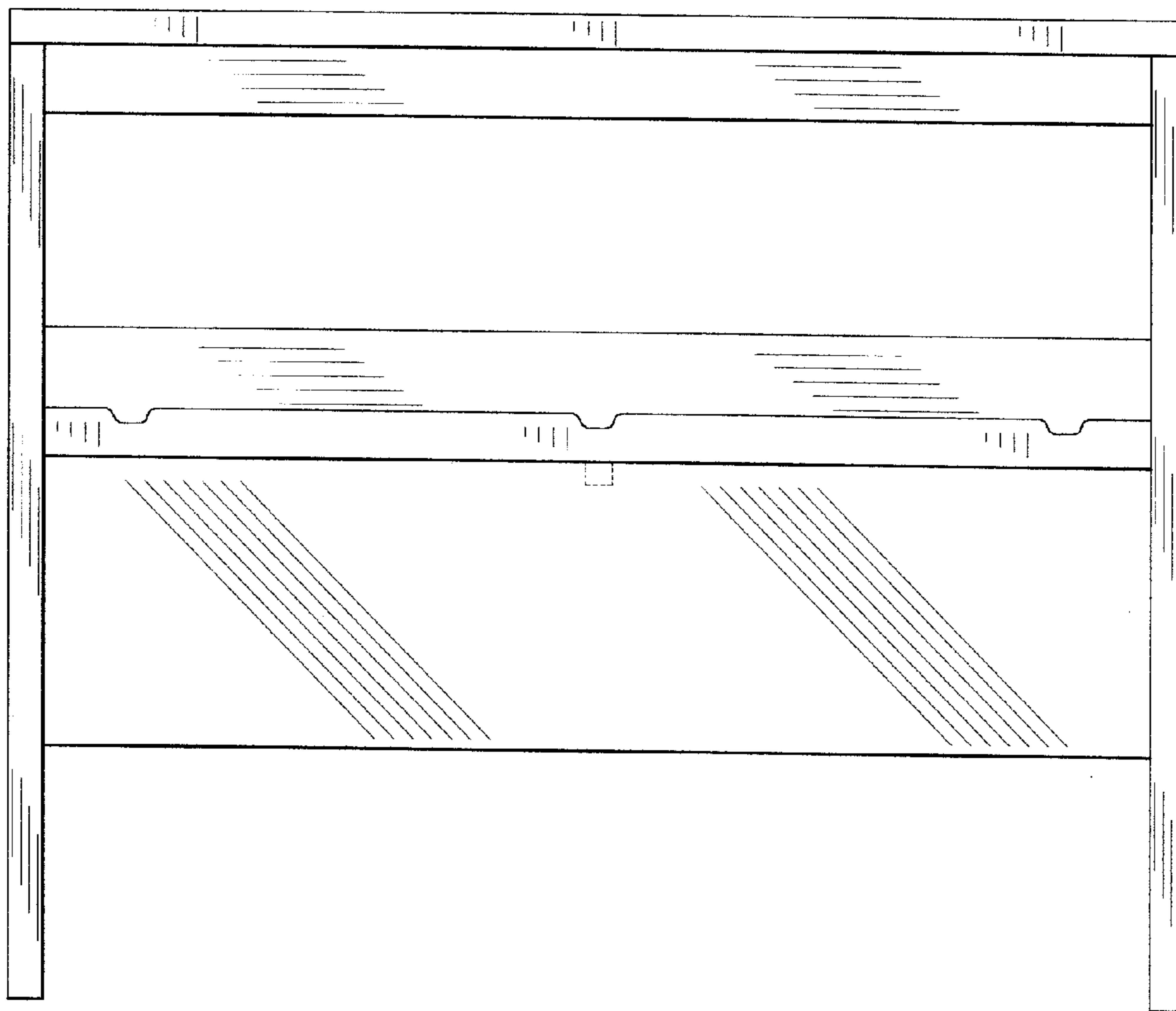


FIG. 11

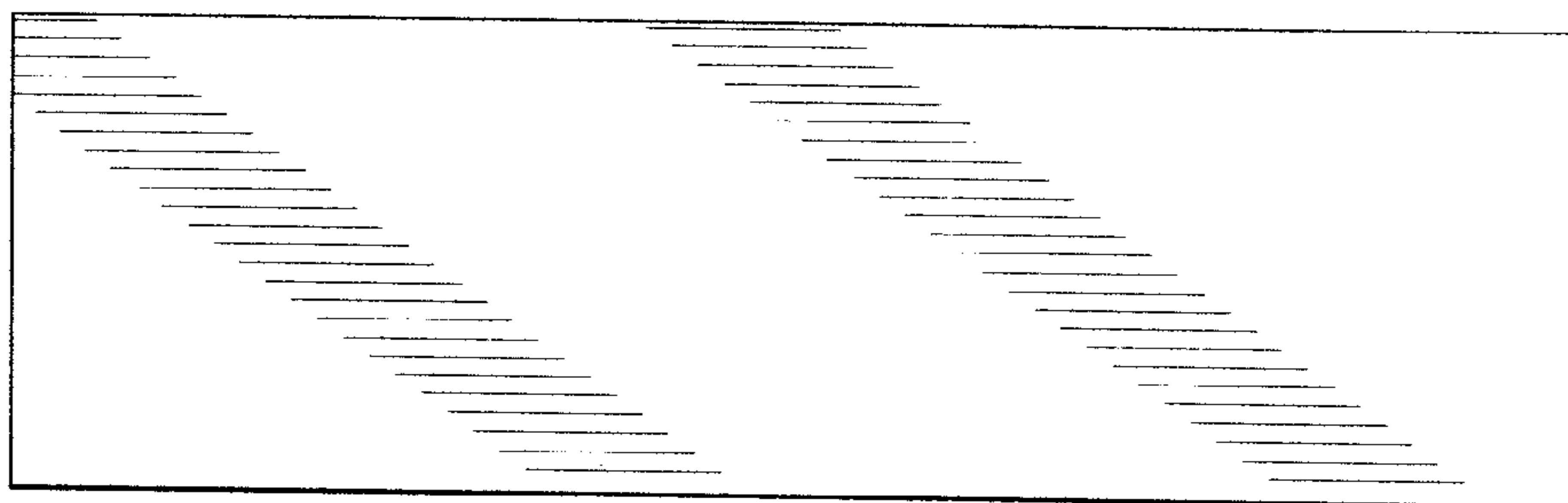


FIG. 12

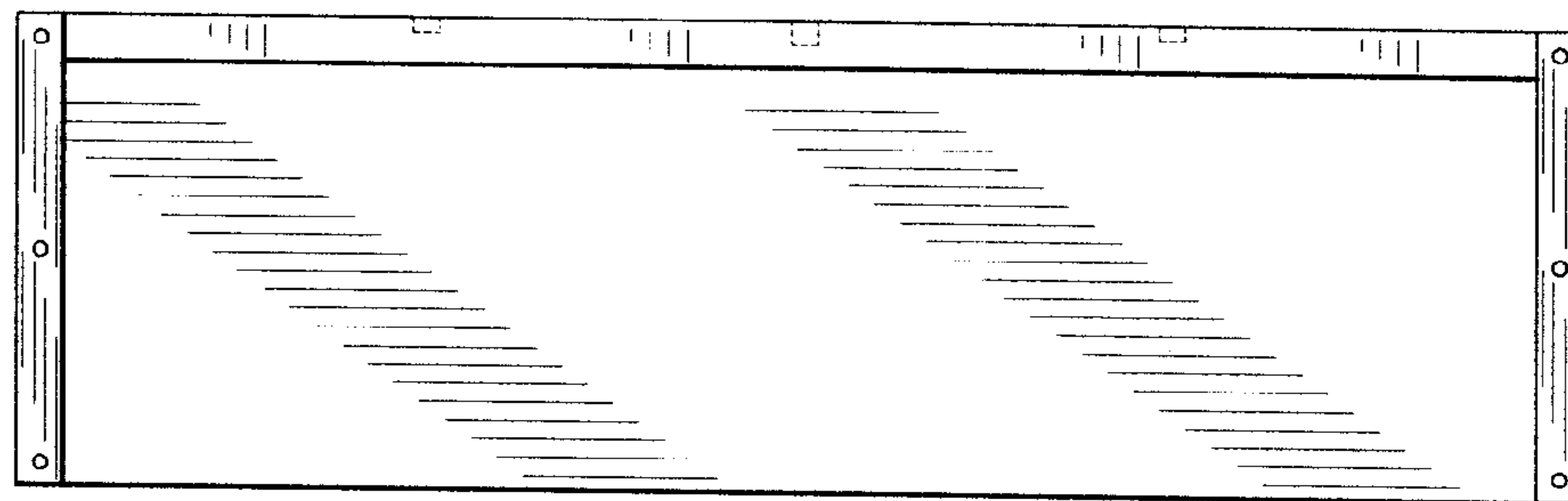


FIG. 13