



US00D573371S

(12) **United States Design Patent**  
**Lee**

(10) **Patent No.:** **US D573,371 S**  
(45) **Date of Patent:** **\*\* Jul. 22, 2008**

(54) **DISPLAY STAND FOR NAIL FILES**

D485,704 S \* 1/2004 Goodman et al. .... D6/462

(75) Inventor: **Seung Kuk Lee**, Seoul (KR)

\* cited by examiner

(73) Assignee: **Max Mate Limited**, Seoul (KR)

*Primary Examiner*—Caron D. Veynar  
*Assistant Examiner*—Sydney R Buffalow

(\*\*) Term: **14 Years**

(74) *Attorney, Agent, or Firm*—IPLA P.A.; James E. Bame

(21) Appl. No.: **29/246,415**

(57) **CLAIM**

(22) Filed: **Apr. 7, 2006**

The ornamental design for a display stand for nail files, as shown and described.

(51) **LOC (8) Cl.** ..... **06-04**

(52) **U.S. Cl.** ..... **D6/467**

(58) **Field of Classification Search** ..... D6/470,  
D6/466, 467, 449, 397, 463, 462, 476, 475,  
D6/473, 490; 99/426; 211/55, 13.1, 42,  
211/49.1, 85.13, 60.1, 69.1, 45

See application file for complete search history.

**DESCRIPTION**

FIG. 1 is a first perspective view of a display stand for nail files showing my new design;

FIG. 2 is a perspective view of FIG. 1, shown in an extended state.

FIG. 3 is an exploded perspective view of FIG. 1, shown separate for the ease of illustration.

FIG. 4 is a front elevational view thereof;

FIG. 5 is a side elevational view thereof, the opposite side being a mirror image; and,

FIG. 6 is a rear elevational view thereof.

(56) **References Cited**

**U.S. PATENT DOCUMENTS**

D104,956 S *	6/1937	Baker	.....	D6/470
2,214,137 A *	9/1940	Urth et al.	.....	99/426
D159,691 S *	8/1950	Stayton	.....	D6/476
D164,547 S *	9/1951	Becker	.....	D6/463
D453,273 S *	2/2002	Goodman et al.	.....	D6/462
D453,641 S *	2/2002	Harvey	.....	D6/475

**1 Claim, 6 Drawing Sheets**

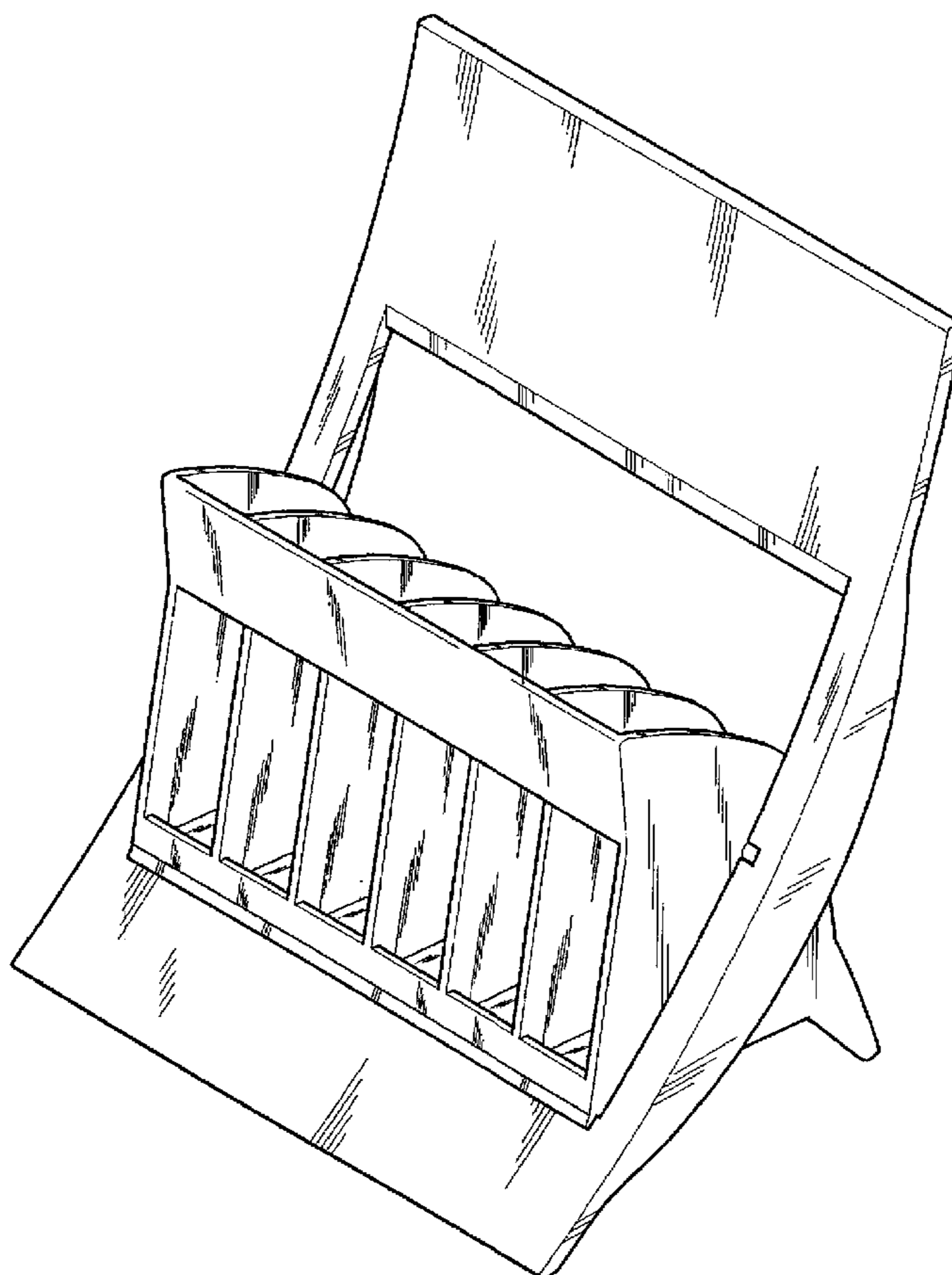


FIG. 1

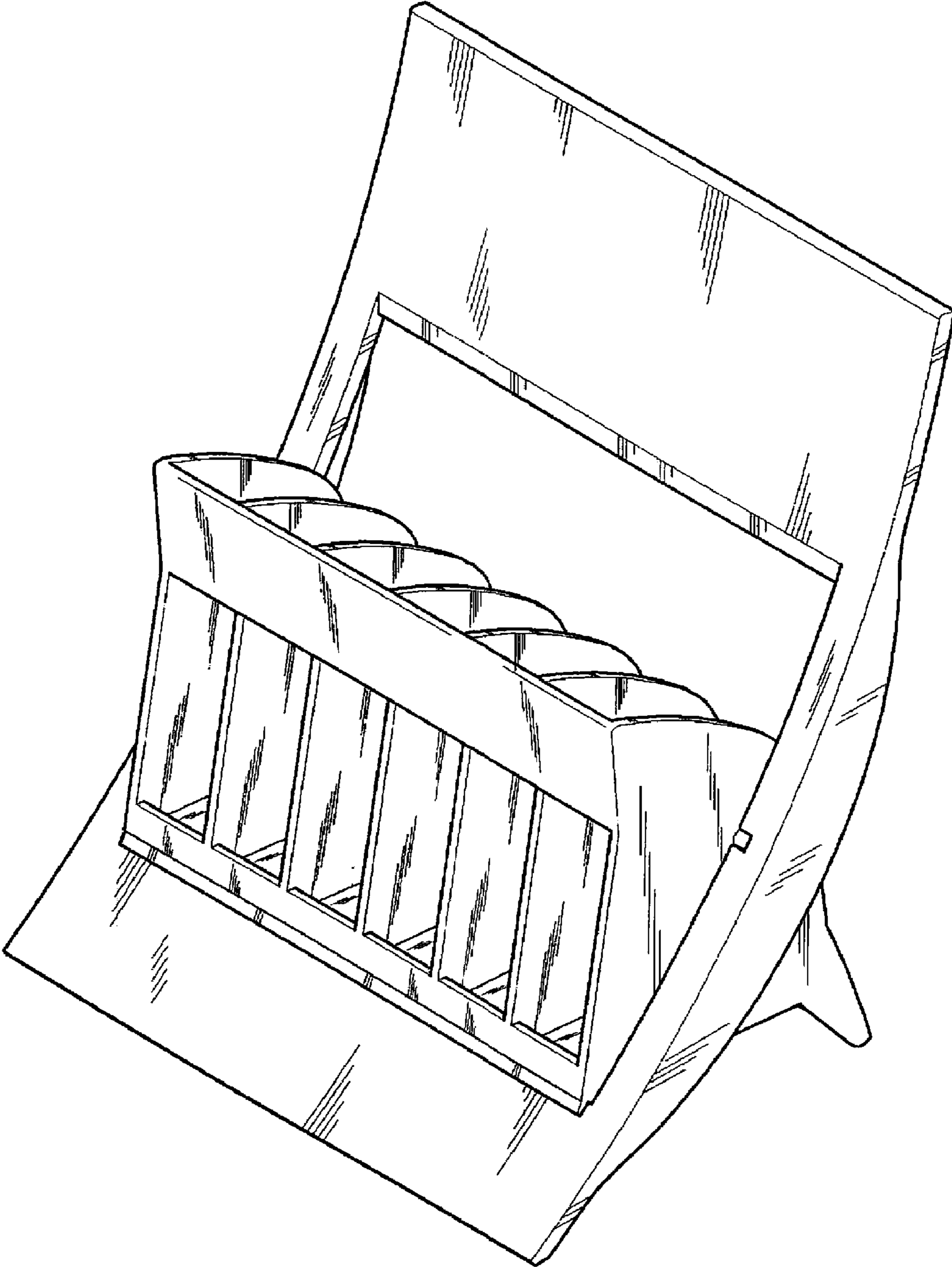


FIG. 2

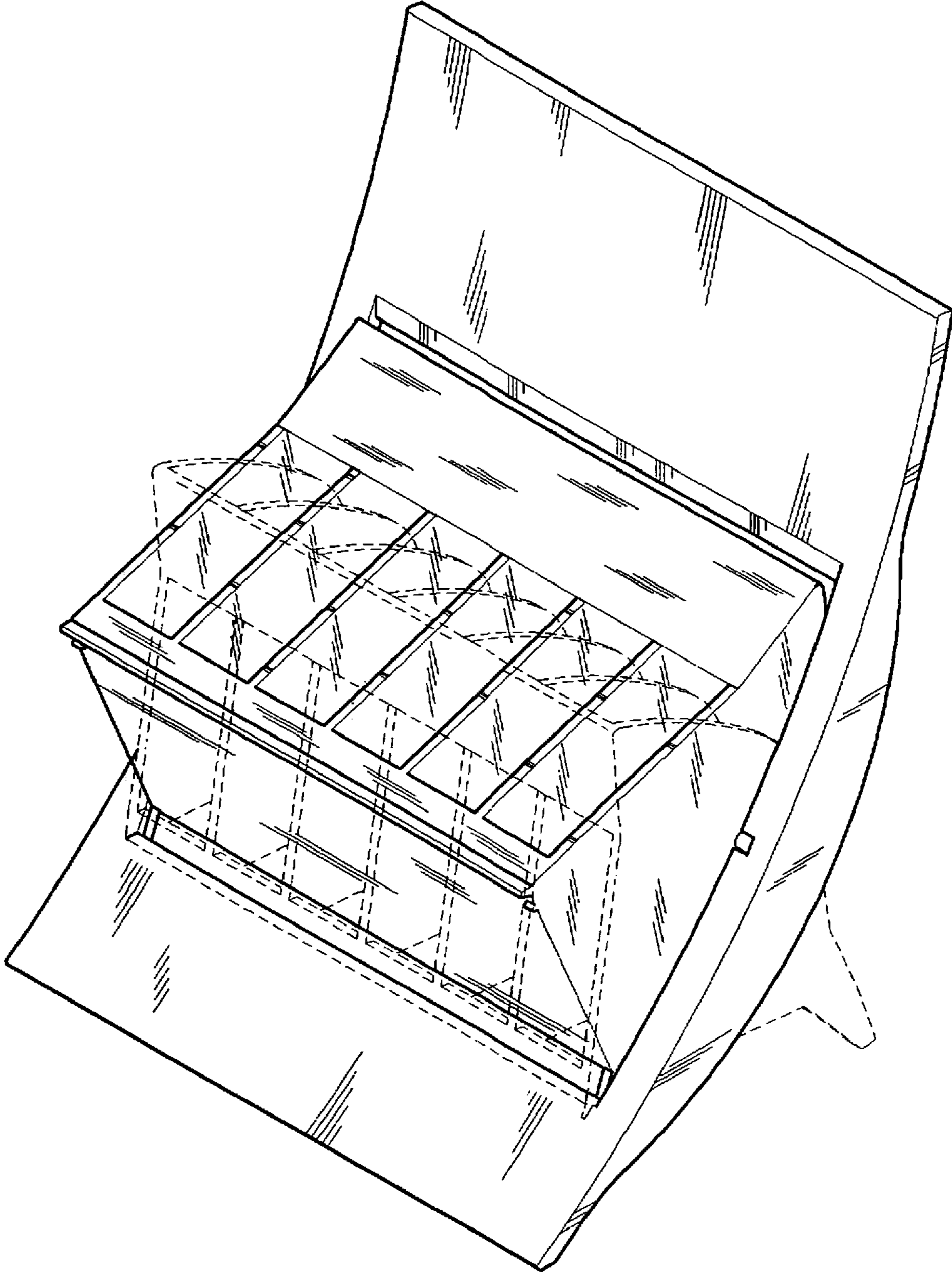


FIG. 3

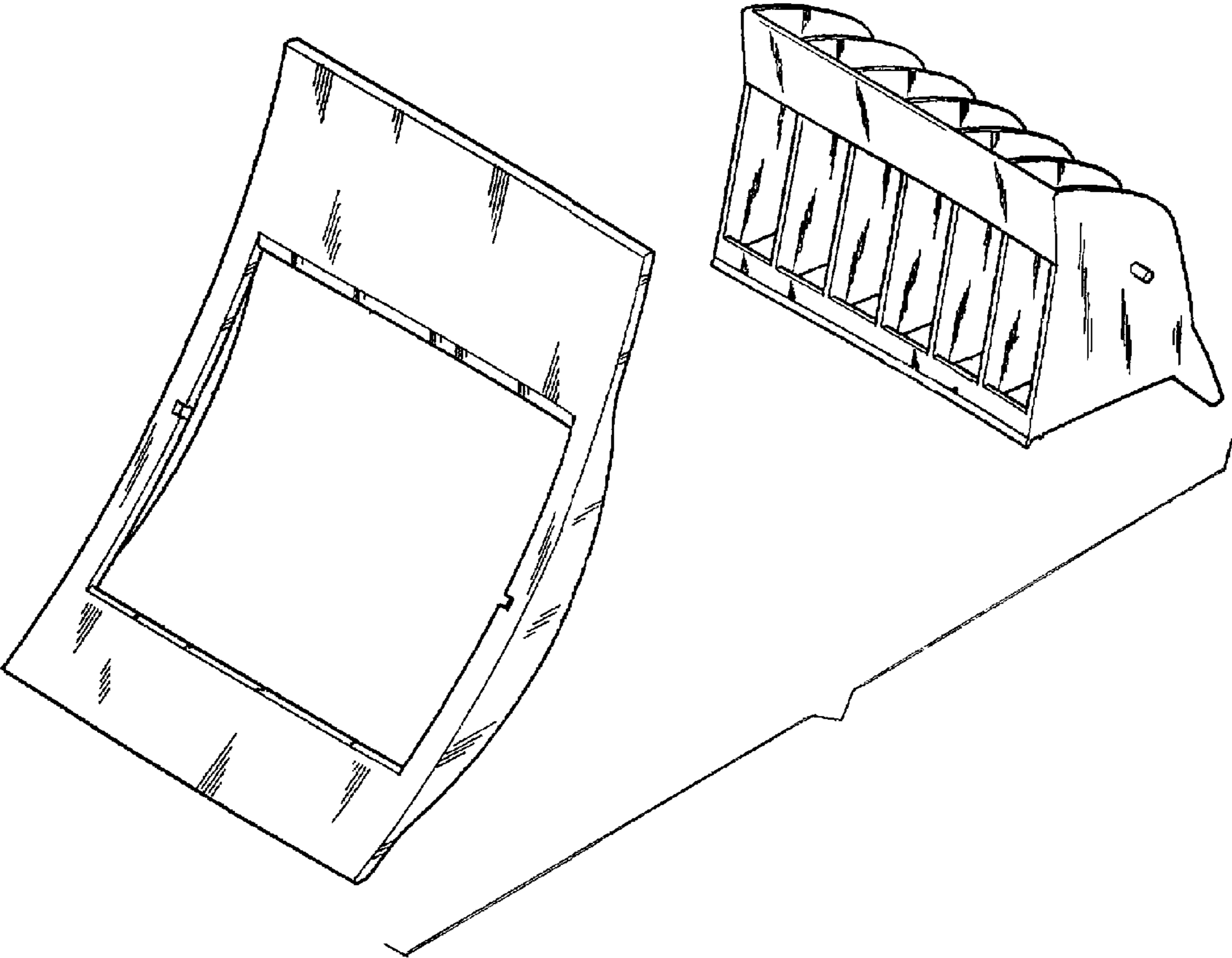


FIG. 4

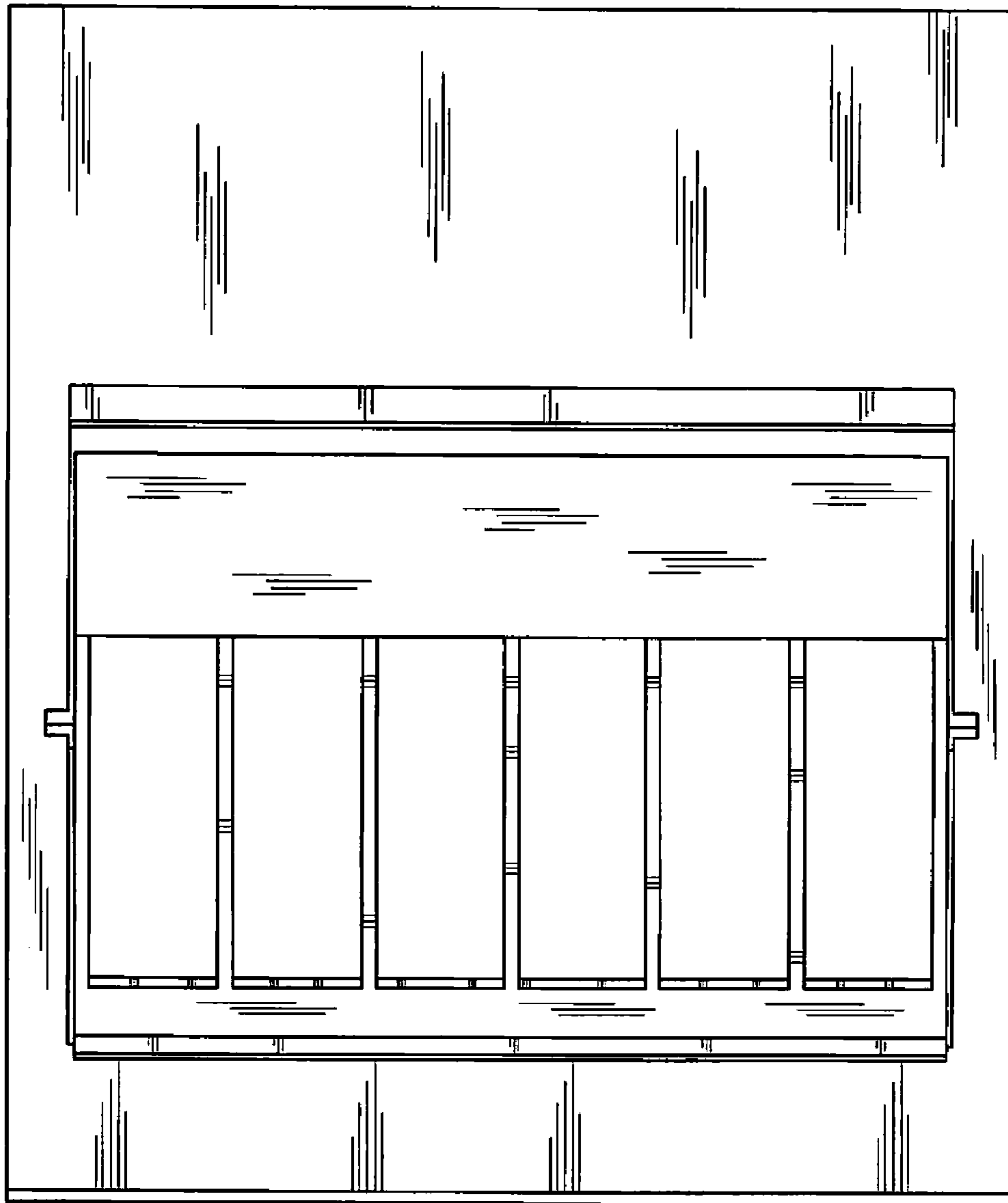


FIG. 5

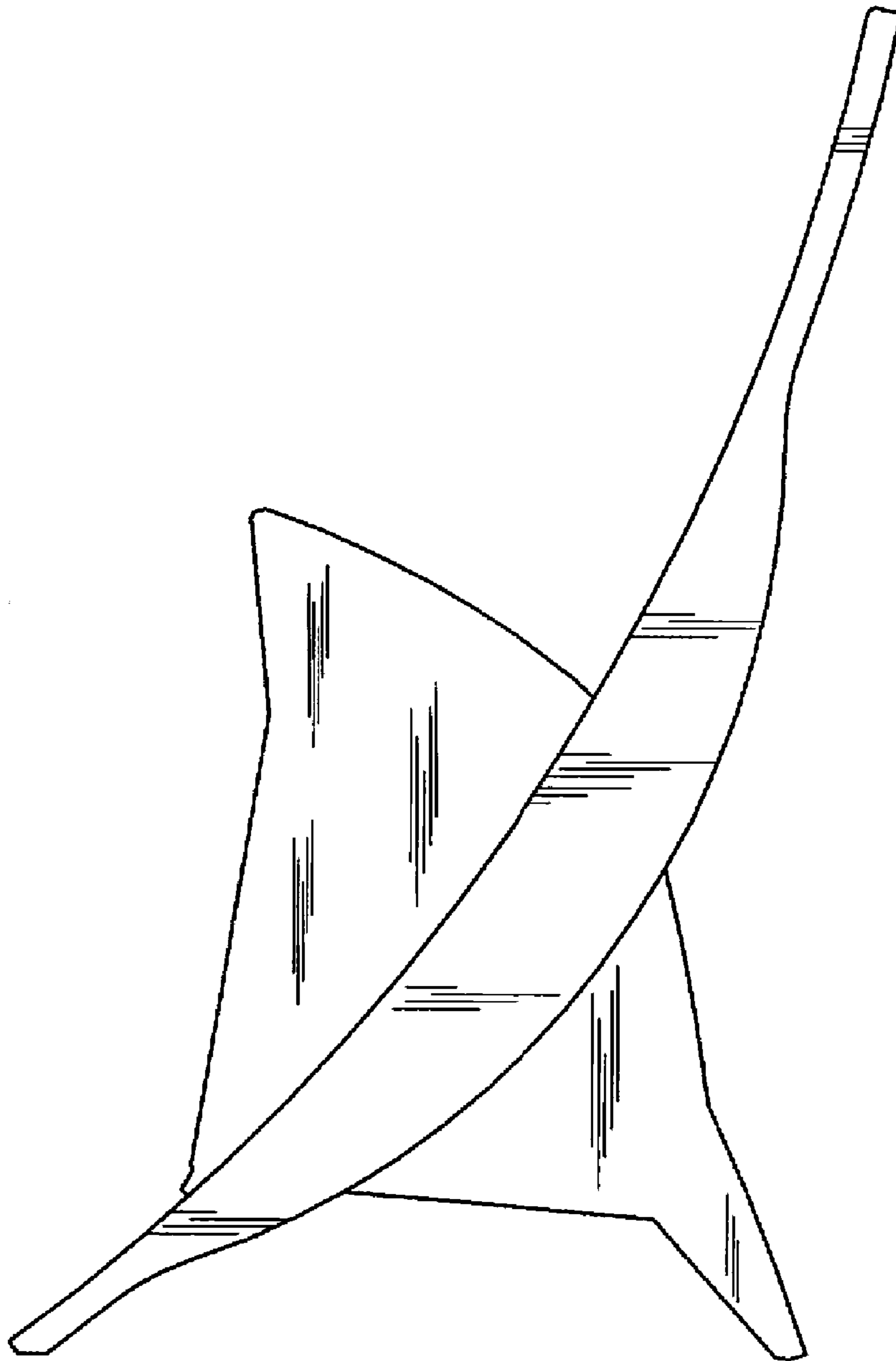


FIG. 6

