



US00D573360S

(12) **United States Design Patent**  
**Bue et al.**

(10) **Patent No.:** **US D573,360 S**  
(45) **Date of Patent:** **\*\* Jul. 22, 2008**

(54) **TABLE AND SEATING ARRANGEMENT**  
(75) Inventors: **Richard C. Bue**, Eden Prairie, MN (US); **John M. Elliott**, Edina, MN (US); **Kendall A. Kragenbring**, Becker, MN (US)

2,730,417 A 1/1956 Mitchell  
2,739,860 A 3/1956 Wilson  
2,771,937 A 11/1956 Wilson  
2,782,075 A 2/1957 Fagan  
2,805,707 A 9/1957 Schoeppner

(Continued)

(73) Assignee: **Sico Incorporated**, Edina, MN (US)

*Primary Examiner*—Sandra Snapp  
(74) *Attorney, Agent, or Firm*—Merchant & Gould PC

(\*\*) Term: **14 Years**

(57) **CLAIM**

(21) Appl. No.: **29/272,935**

The ornamental design for table and seating arrangement, as shown and described.

(22) Filed: **Feb. 21, 2007**

**Related U.S. Application Data**

**DESCRIPTION**

(63) Continuation-in-part of application No. 11/417,480, filed on Apr. 18, 2006, now abandoned.

FIG. 1 shows a perspective view of a first embodiment of a table and seating arrangement according to the principles of the present invention;

(51) **LOC (8) Cl.** ..... **06-01**

FIG. 2 shows a front elevational view thereof, a rear elevational view not being shown as it is a mirror image of the front elevational view;

(52) **U.S. Cl.** ..... **D6/337**

(58) **Field of Classification Search** ..... D6/334–338, D6/360, 367, 374, 375, 482, 491, 495, 500–502; 297/83, 157.1, 158.3, 170, 184.16, 188.14, 297/244, 423.19; 5/12.1, 12.2  
See application file for complete search history.

FIG. 3 shows a right side elevational view thereof, a left side elevational view not being shown as it is a mirror image of the right side elevational view;

FIG. 4 shows a top plan view thereof;

(56) **References Cited**

**U.S. PATENT DOCUMENTS**

1,015,230 A 1/1912 Jacob  
1,339,232 A 5/1920 St. John et al.  
1,370,952 A 3/1921 Danielson  
1,622,327 A 3/1927 Livingood  
1,823,484 A 9/1931 Blumenthal  
1,860,291 A 5/1932 Majcher  
1,924,945 A 8/1933 Klotz  
2,030,195 A 2/1936 Breese  
2,702,585 A 2/1955 Wilson  
2,717,631 A 9/1955 Howe  
2,721,778 A 10/1955 Wilson

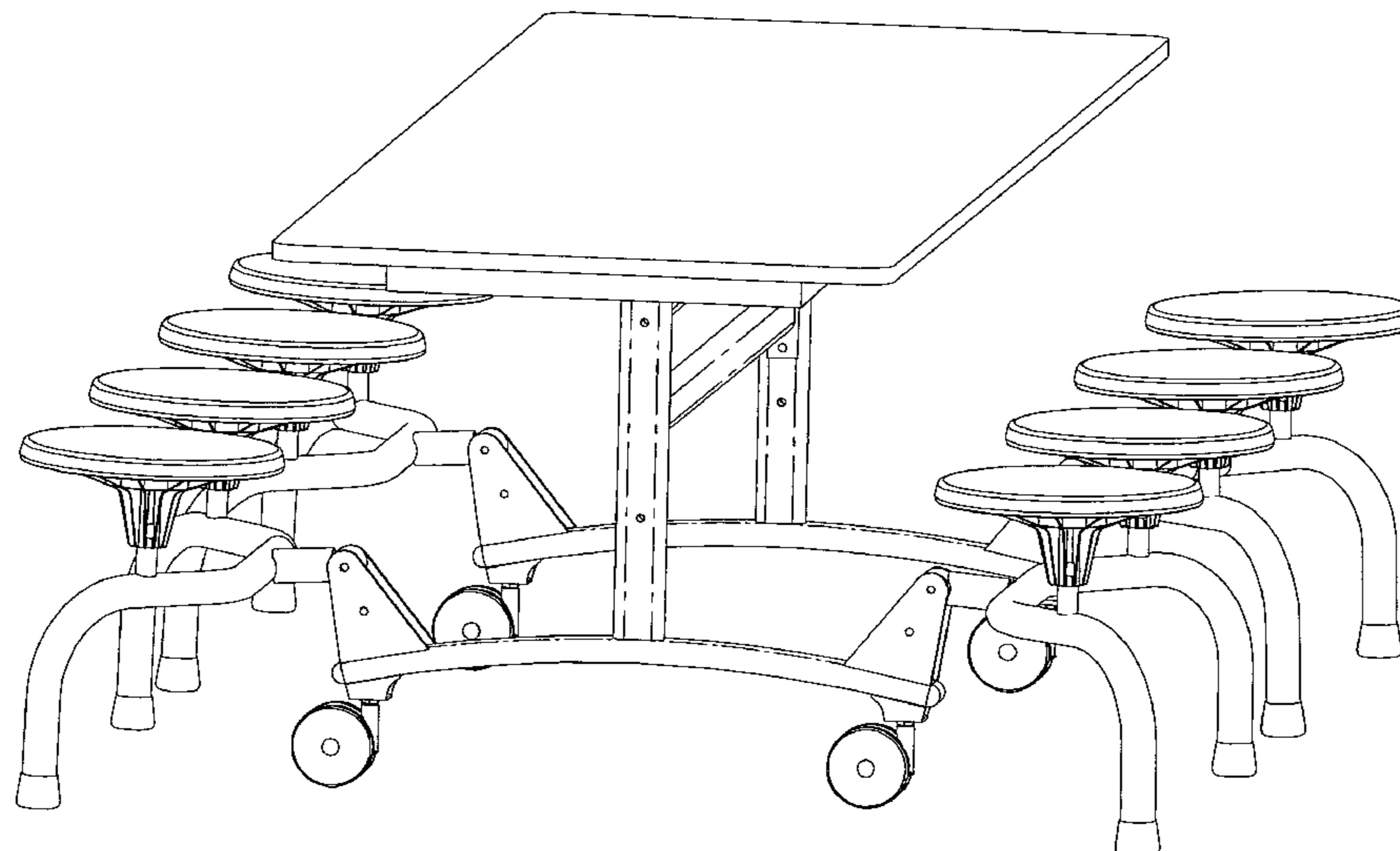
FIG. 5 shows a perspective view of a second embodiment of a table and seating arrangement according to the principles of the present invention;

FIG. 6 shows a front elevational view thereof, a rear elevational view not being shown as it is a mirror image of the front elevational view;

FIG. 7 shows a right side elevational view thereof, a left side elevational view not being shown as it is a mirror image of the right side elevational view; and,

FIG. 8 shows a top plan view thereof.

**1 Claim, 8 Drawing Sheets**



# US D573,360 S

Page 2

## U.S. PATENT DOCUMENTS

RE24,454 E	4/1958	Wilson	4,249,773 A	2/1981	Giambalvo
2,934,386 A	4/1960	Shore	4,337,670 A	7/1982	Carlson
2,969,245 A	1/1961	Wilson	D268,971 S *	5/1983	Reineman ..... D6/337
3,028,197 A	4/1962	Wilson	4,449,263 A	5/1984	Wilson et al.
3,055,705 A	9/1962	Wilson	4,592,105 A	6/1986	McNamara
D194,038 S	11/1962	Preston	4,596,196 A	6/1986	Gunter et al.
3,075,809 A	1/1963	Wilson	4,653,804 A	3/1987	Yoo et al.
3,099,480 A	7/1963	Wilson	4,700,987 A	10/1987	Sraka et al.
3,099,481 A	7/1963	Bue	4,793,011 A	12/1988	Eve
3,101,064 A	8/1963	Kanzelberger et al.	4,826,244 A	5/1989	Choi
3,109,678 A	11/1963	Wilson	4,883,314 A	11/1989	Sakong
3,212,463 A	10/1965	Anderson et al.	4,885,813 A	12/1989	McNamara
3,226,154 A *	12/1965	Allen ..... 297/142	4,932,333 A	6/1990	Jensen et al.
3,245,363 A	4/1966	Amthor, Jr. et al.	5,029,938 A	7/1991	Song
3,266,840 A	8/1966	D'Estrube	D327,178 S	6/1992	Ryaa
3,337,262 A	8/1967	Katzfey et al.	D327,779 S	7/1992	Jensen et al.
D209,758 S *	1/1968	Blink ..... D6/337	D330,127 S	10/1992	Song
D211,886 S	8/1968	Benjamin	5,446,932 A	9/1995	Voorhis
3,411,823 A	11/1968	Bue	D367,772 S *	3/1996	Stirling et al. .... D6/337
3,477,760 A	11/1969	Bue	D369,913 S	5/1996	Noll
3,511,532 A	5/1970	Tringali et al.	5,522,097 A	6/1996	Ciccotelli
3,536,356 A	10/1970	Wilson	5,652,978 A	8/1997	Wiig
3,580,632 A	5/1971	Seymour	5,683,135 A	11/1997	Williams
3,715,143 A	2/1973	Gerken et al.	5,794,540 A	8/1998	Dombrowski et al.
3,877,086 A	4/1975	Bue et al.	5,906,015 A	5/1999	Hilger et al.
3,900,905 A	8/1975	Johnson et al.	D413,734 S	9/1999	Bue
3,999,245 A	12/1976	Bue et al.	D418,988 S *	1/2000	Shilling et al. .... D6/337
4,052,100 A	10/1977	Nikitits et al.	6,065,802 A	5/2000	Bue
4,070,057 A	1/1978	Jones	6,212,710 B1	4/2001	Jones
4,100,858 A	7/1978	Bue et al.	6,254,178 B1	7/2001	Bue
D250,151 S	11/1978	Pingel	D454,436 S *	3/2002	Shilling et al. .... D6/337
4,131,311 A	12/1978	Nikitits et al.	D456,155 S *	4/2002	DeVriendt ..... D6/337
4,133,271 A	1/1979	Carlson	6,386,628 B2	5/2002	Bue
4,136,622 A	1/1979	Bue et al.	6,772,699 B1	8/2004	Elliott
4,223,945 A	9/1980	Nikitits	D514,830 S *	2/2006	Bue ..... D6/337
D257,623 S	12/1980	Bue et al.	2005/0161984 A1 *	7/2005	Bue et al. .... 297/158.4

\* cited by examiner

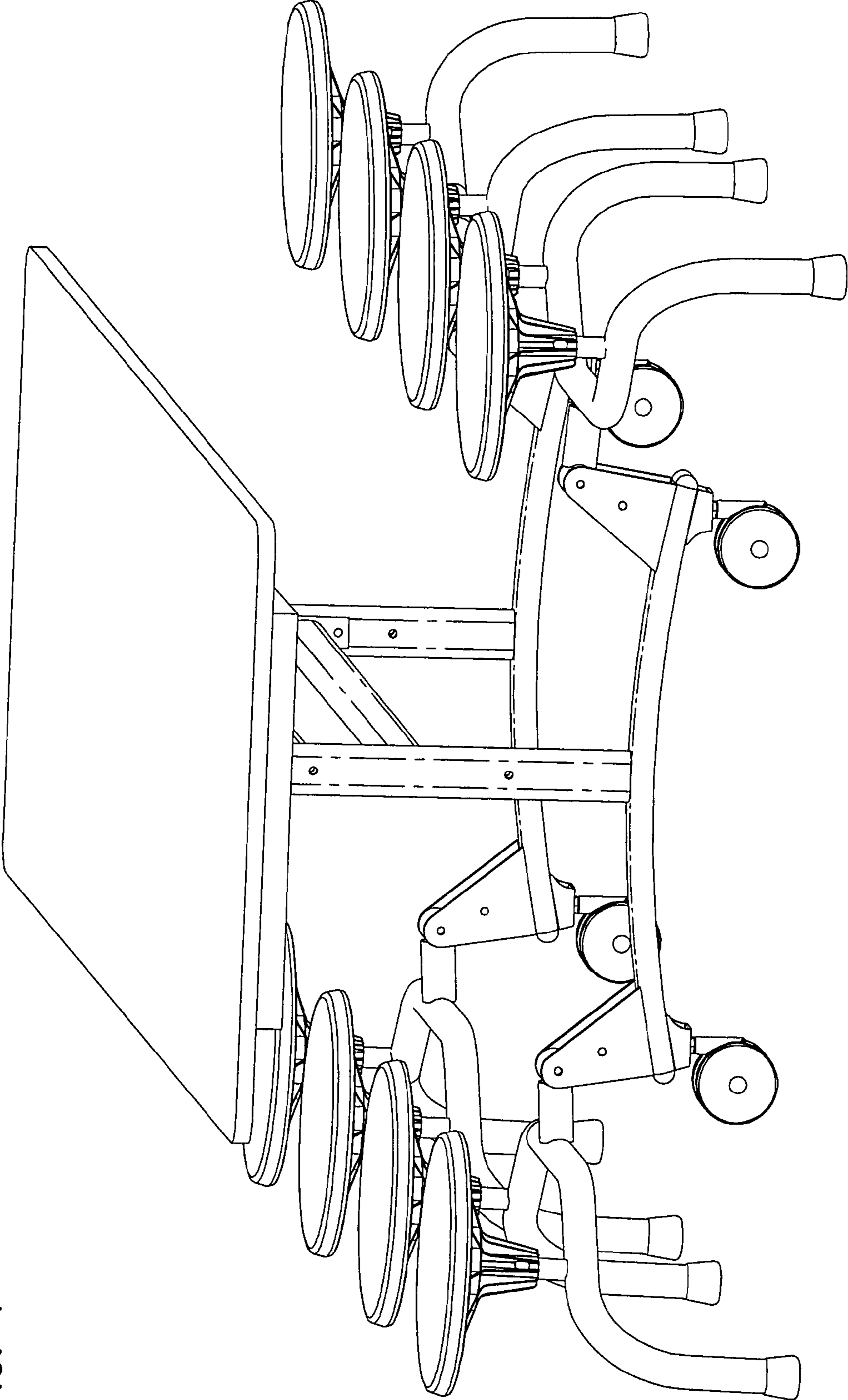


FIG. 1

FIG. 2

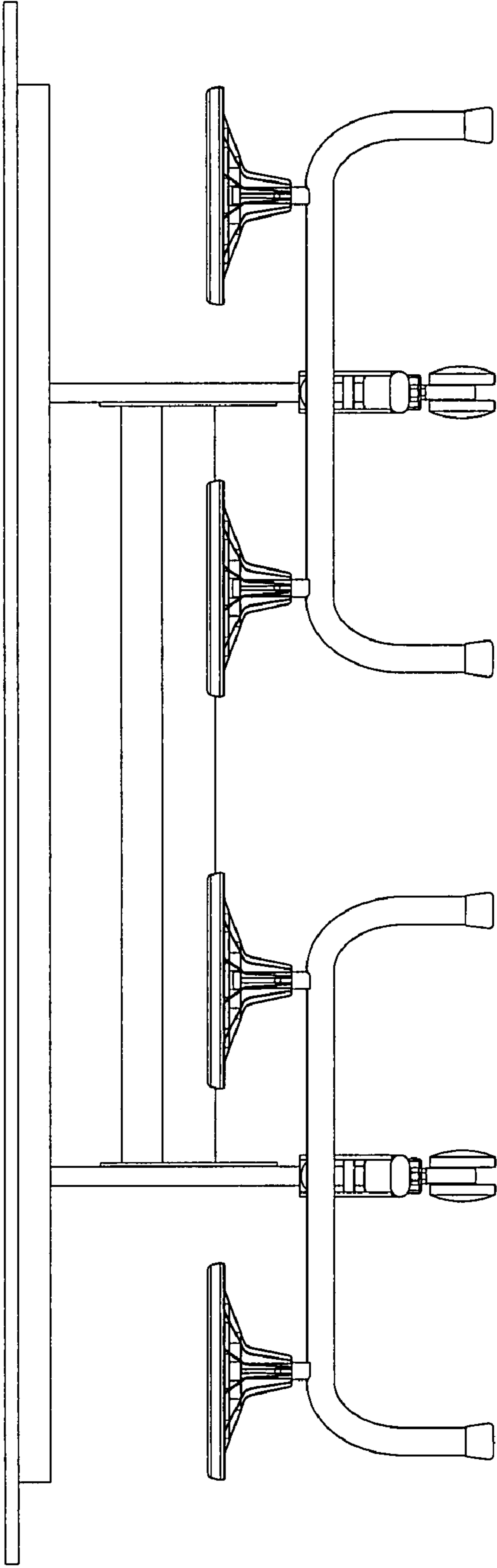
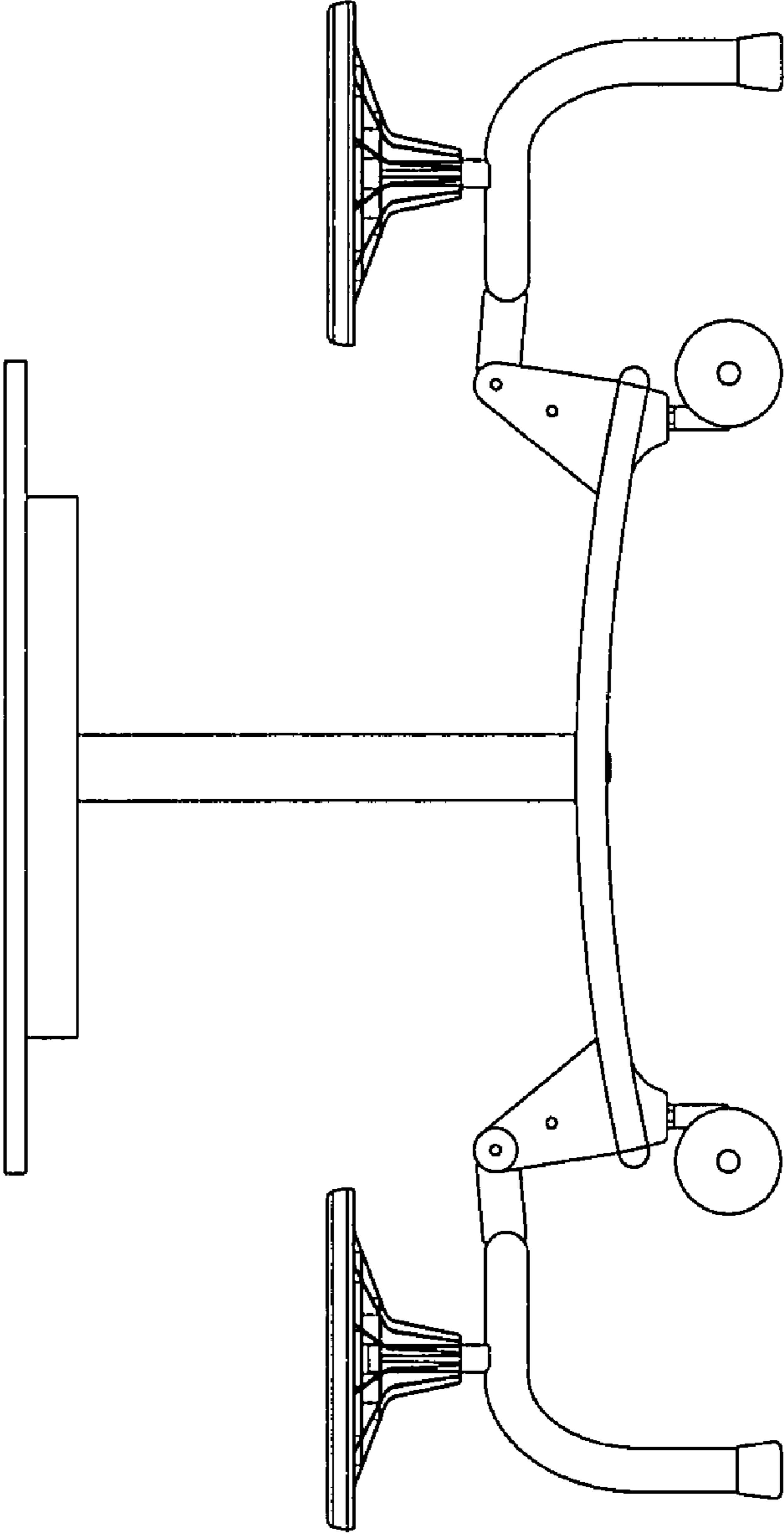


FIG. 3



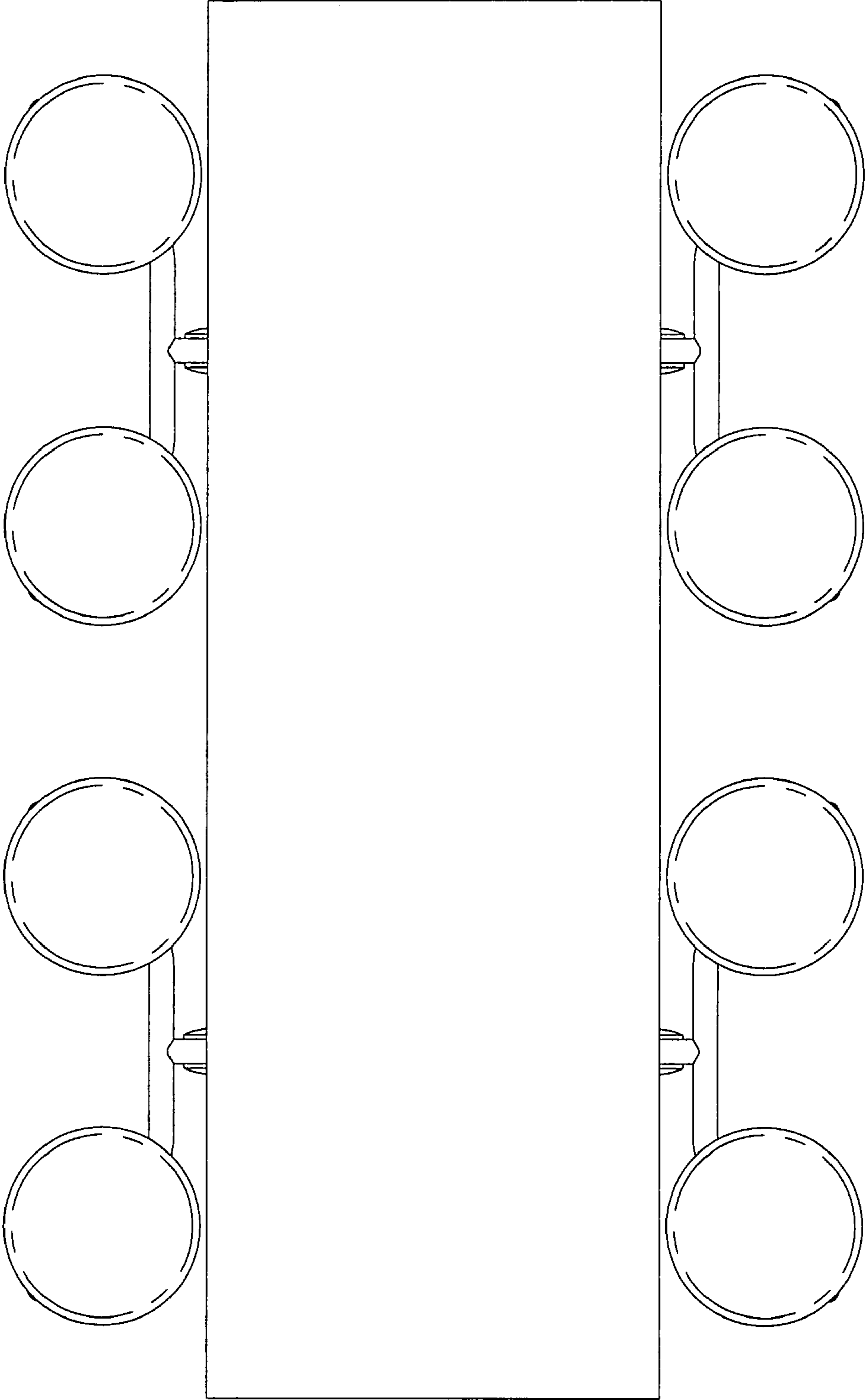


FIG. 4

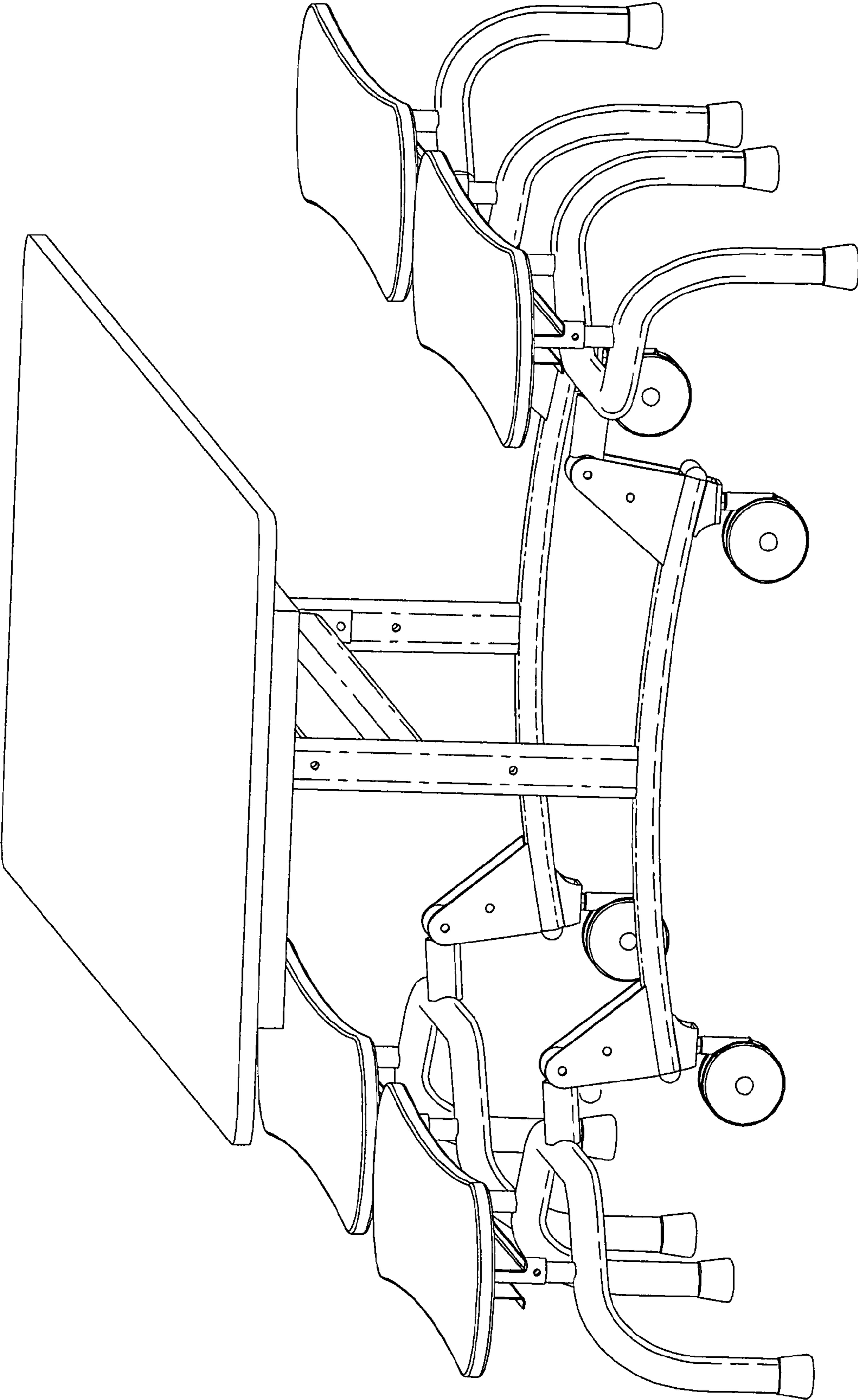
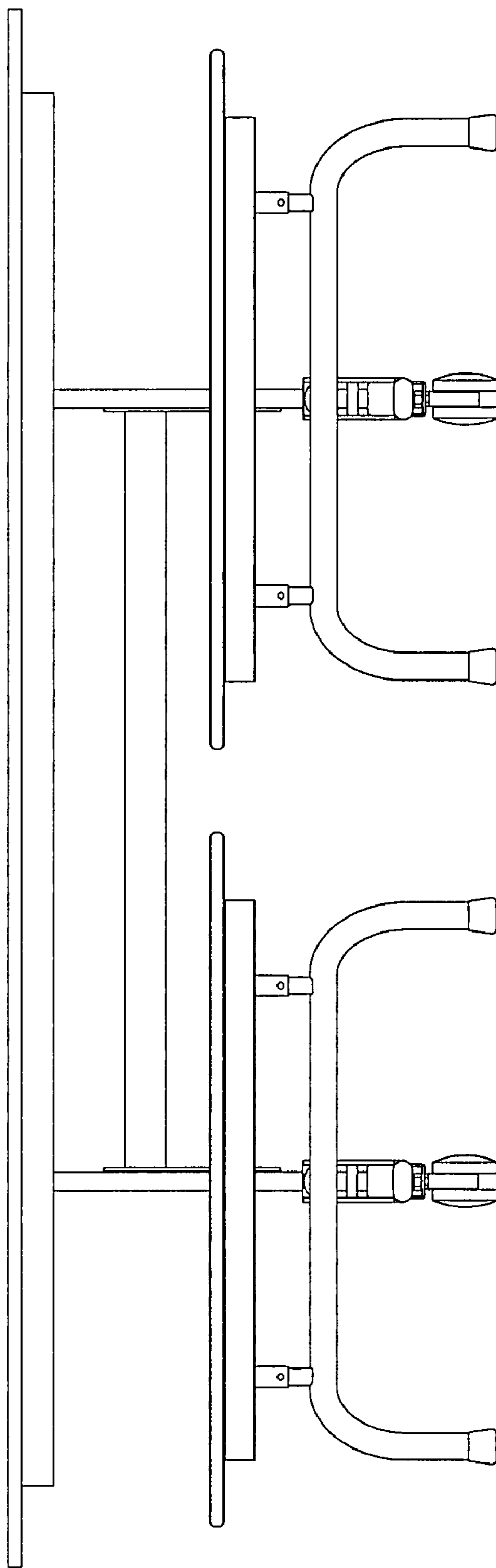


FIG. 5

FIG. 6





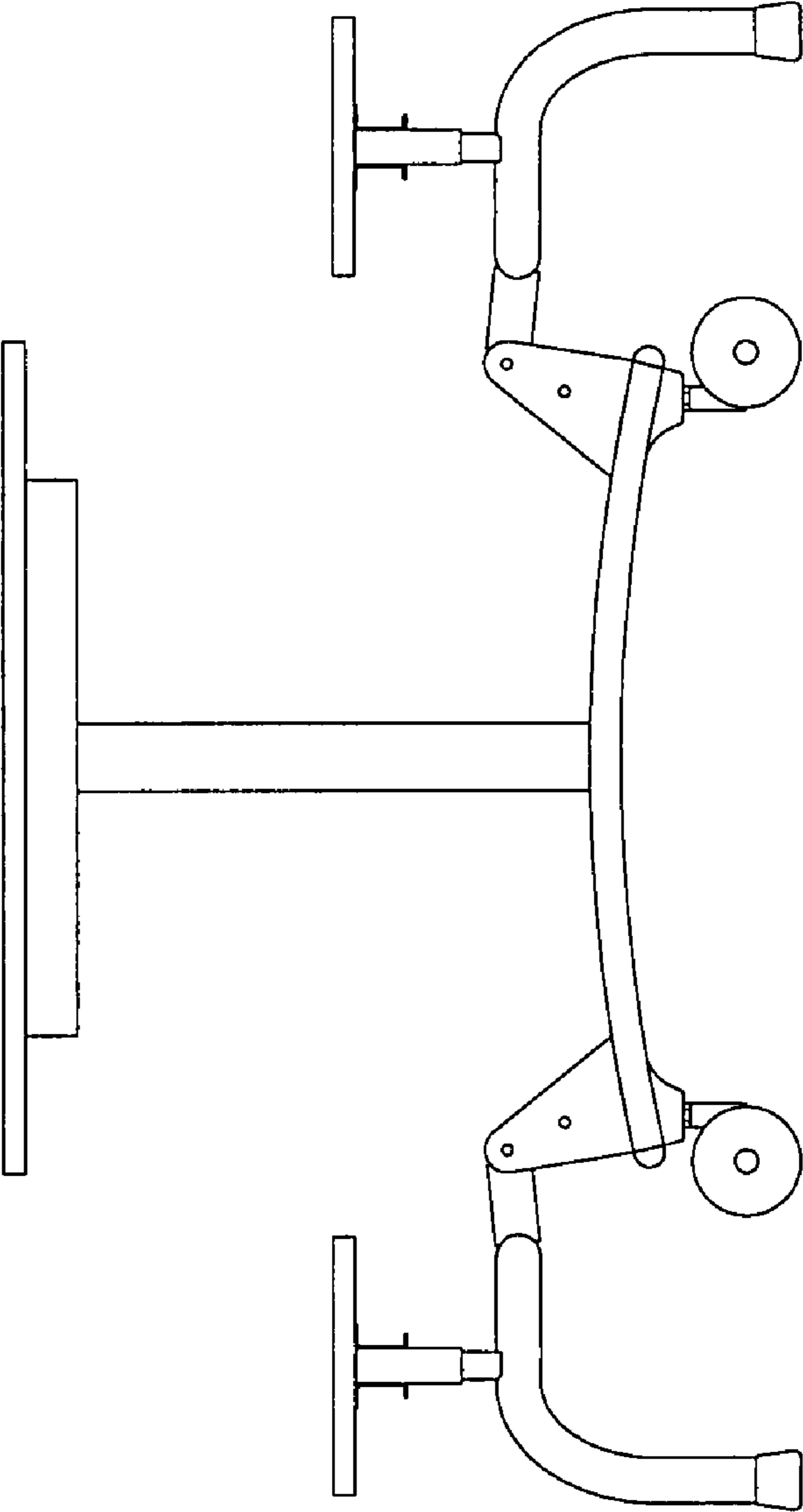


FIG. 7

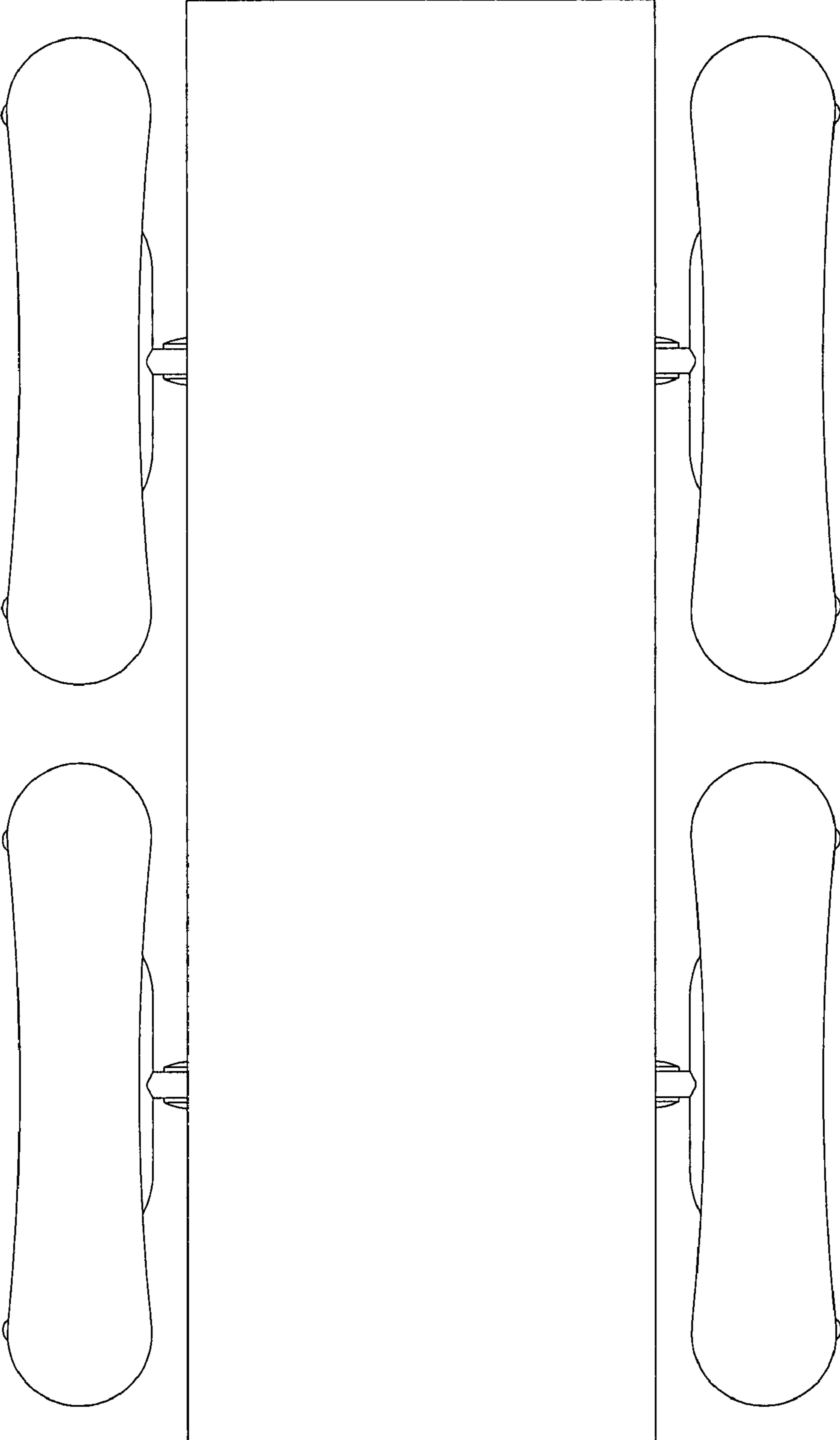


FIG. 8