



US00D573351S

(12) **United States Design Patent**
Angers et al.

(10) **Patent No.:** **US D573,351 S**

(45) **Date of Patent:** **** Jul. 22, 2008**

(54) **HANDLE**

(76) Inventors: **Mary Catherine Angers**, 92 Shrewsbury Dr., North Long Branch, NJ (US) 07740;
Barry Matthew Papp, 92 Shrewsbury Dr., North Long Branch, NJ (US) 07740

5,692,265 A	12/1997	Dalury	
D444,193 S	6/2001	Dodson	
D444,605 S *	7/2001	Porter D34/27
D462,179 S	9/2002	Lai	
D463,244 S	9/2002	Chen	
D498,130 S	11/2004	Tomchak	
D500,926 S	1/2005	Hay	

(**) Term: **14 Years**

* cited by examiner

(21) Appl. No.: **29/259,674**

Primary Examiner—Melanie Tung

Assistant Examiner—Lavone D Tabor

(22) Filed: **May 15, 2006**

(74) *Attorney, Agent, or Firm*—William J Connelly

(51) **LOC (8) Cl.** **04-01**

(57) **CLAIM**

(52) **U.S. Cl.** **D4/138; D4/199**

The ornamental design for a handle, as shown and described.

(58) **Field of Classification Search** D4/132–138, D4/199; D7/393, 395, 401.2; D8/107, 300, D8/303, 315, DIG. 7, DIG. 8; 15/143.1, 15/145; 16/110.1, 422, 426, 430, 431, 436, 16/DIG. 12, DIG. 19; 74/551.1, 551.9

DESCRIPTION

See application file for complete search history.

FIG. 1 is a perspective view of a handle showing our new design;

(56) **References Cited**

FIG. 2 is a side view thereof;

U.S. PATENT DOCUMENTS

FIG. 3 is another side view thereof;

2,469,944 A *	5/1949	Bauters	340/432
2,666,340 A *	1/1954	Hunt	74/551.9
3,016,763 A *	1/1962	Albert	74/551.9
3,129,940 A *	4/1964	Lauro	482/92
D222,213 S *	10/1971	Rumaner	D8/303
3,879,048 A	4/1975	Penny		
D242,299 S *	11/1976	Kahn	D4/128
4,006,895 A *	2/1977	DiLaurenzio	482/46
D267,307 S *	12/1982	Lowdon	D8/14
4,934,024 A	6/1990	Sexton		

FIG. 4 is a rear view thereof;

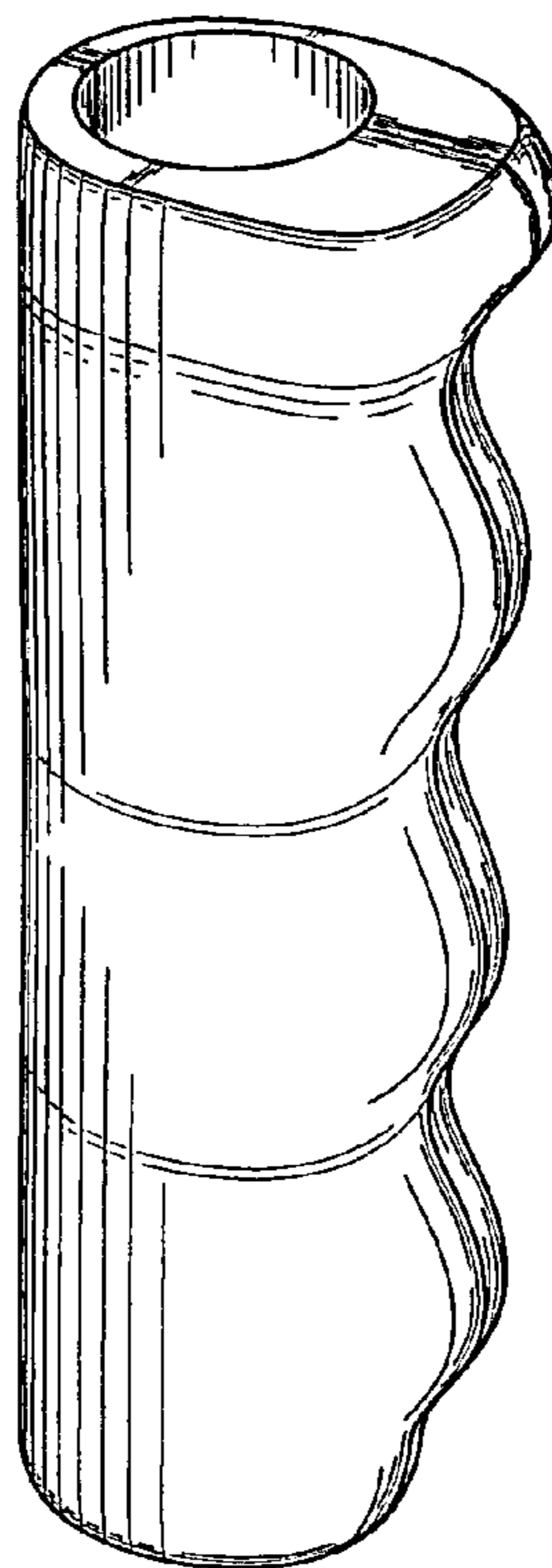
FIG. 5 is a front view thereof;

FIG. 6 is a top view thereof;

FIG. 7 is a bottom view thereof; and,

FIG. 8 is a reduced perspective view of the handle connected to a broom, which is shown in broken lines for illustrative purposes only and forms no part of the claimed design.

1 Claim, 5 Drawing Sheets



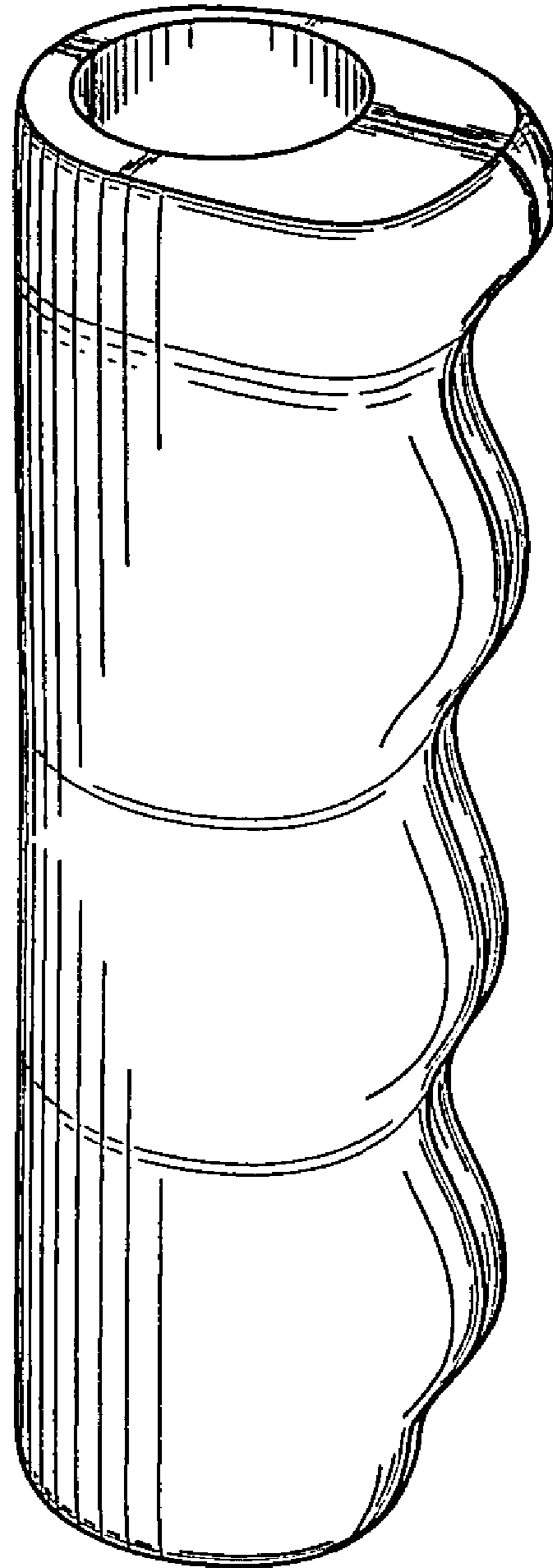


FIG. 1

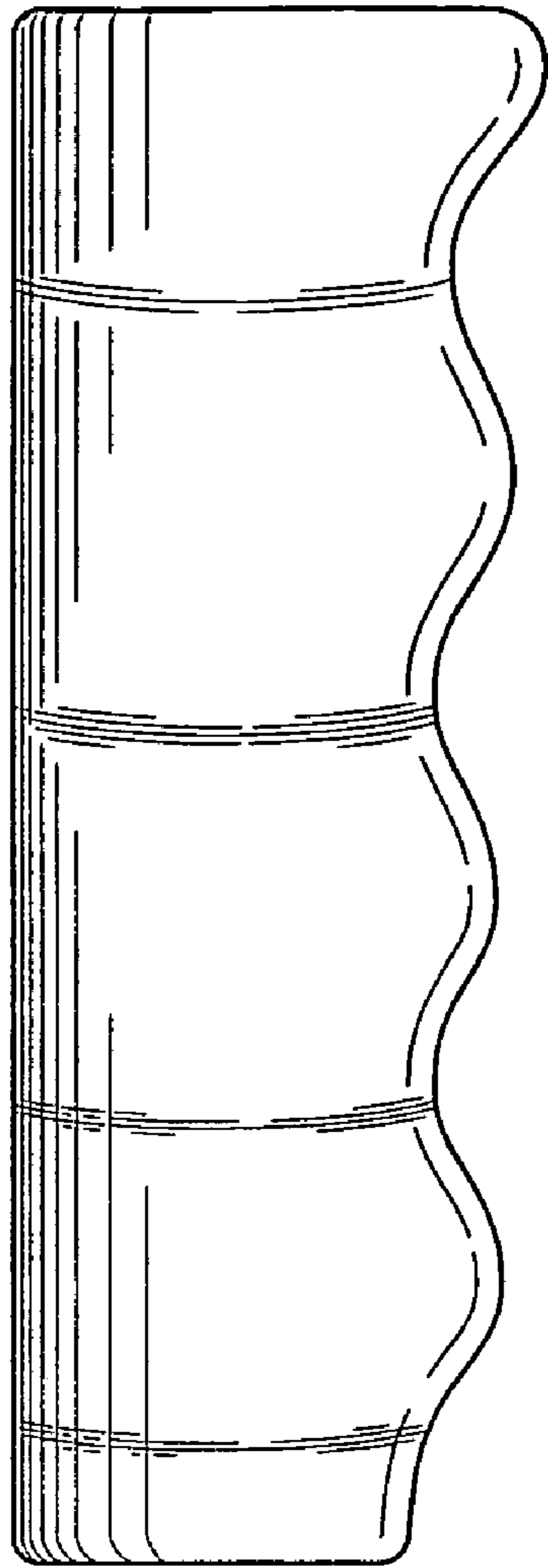


FIG. 2

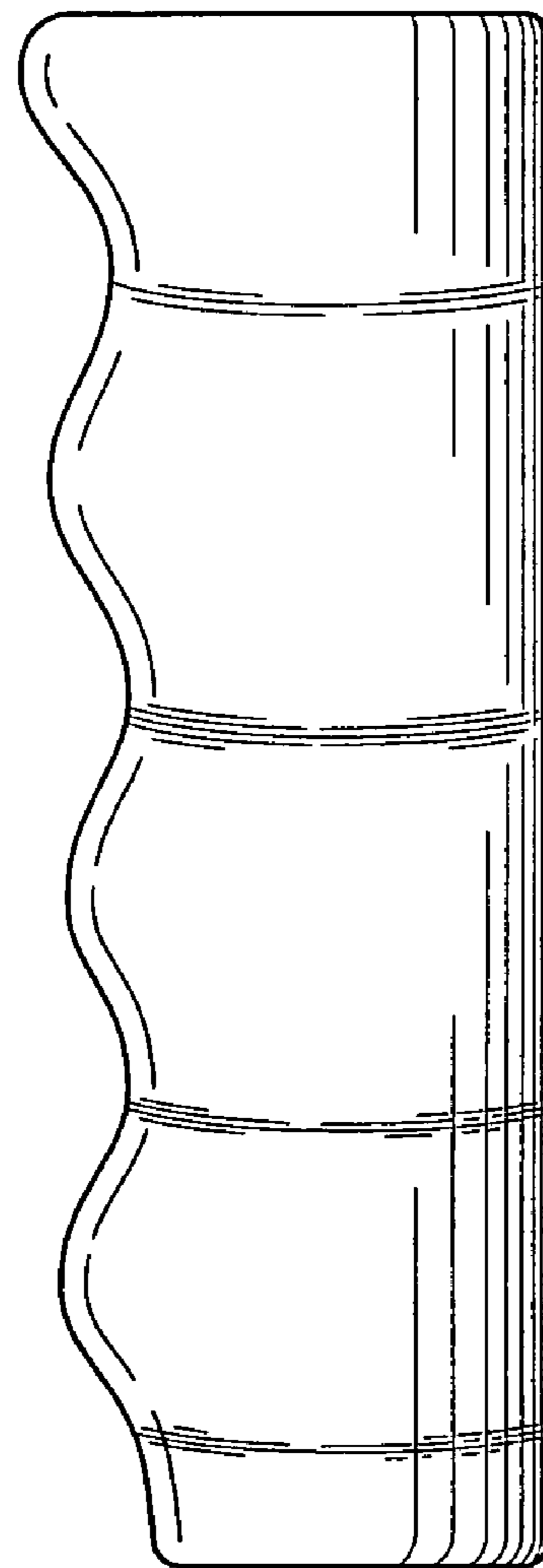


FIG. 3

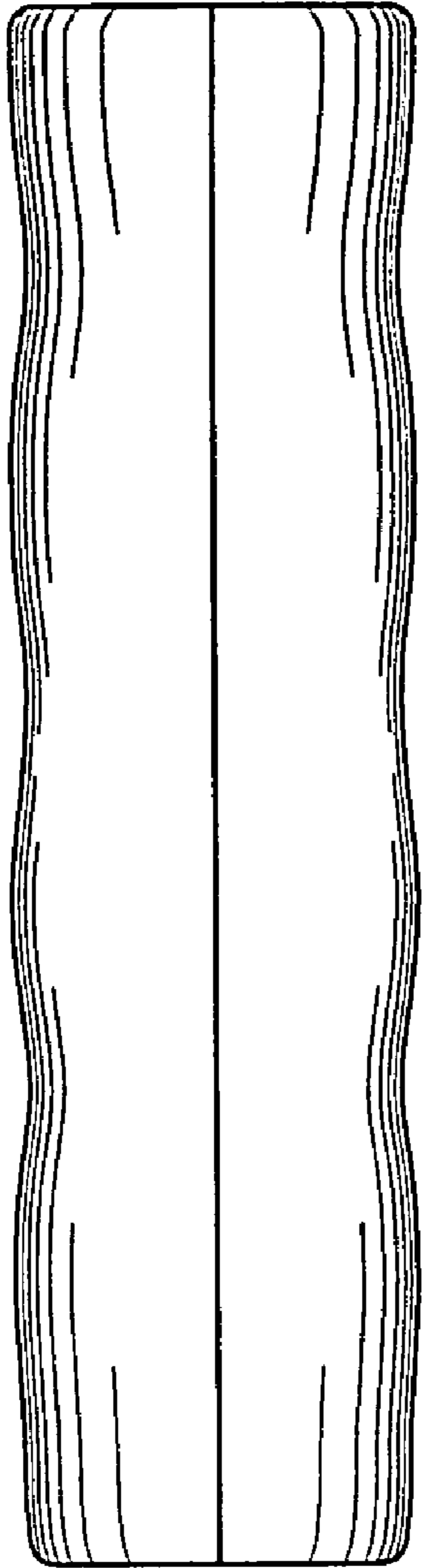


FIG. 4

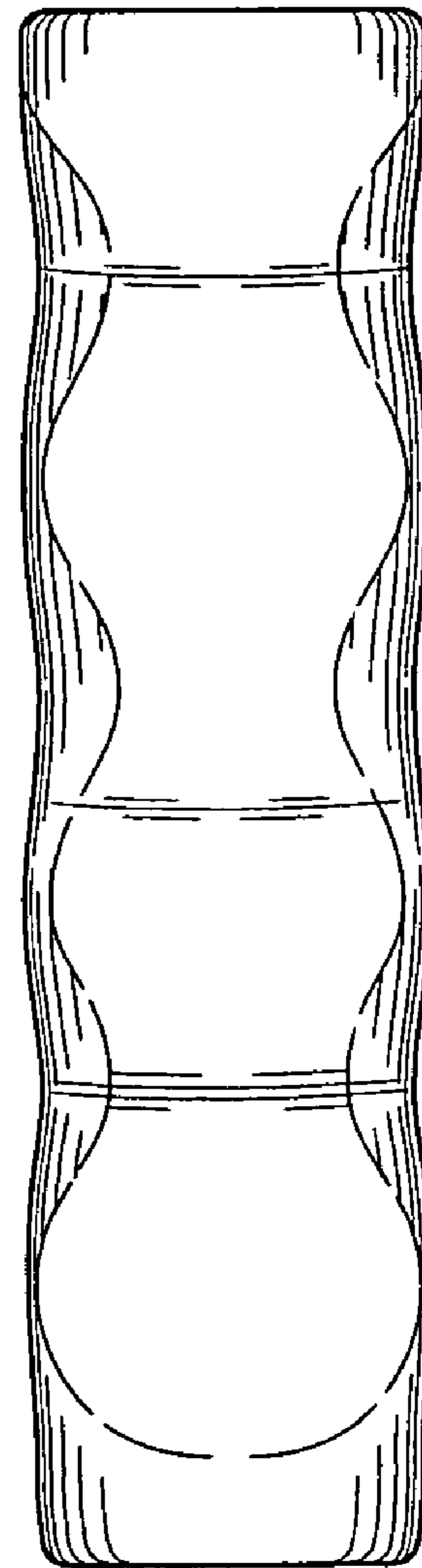


FIG. 5

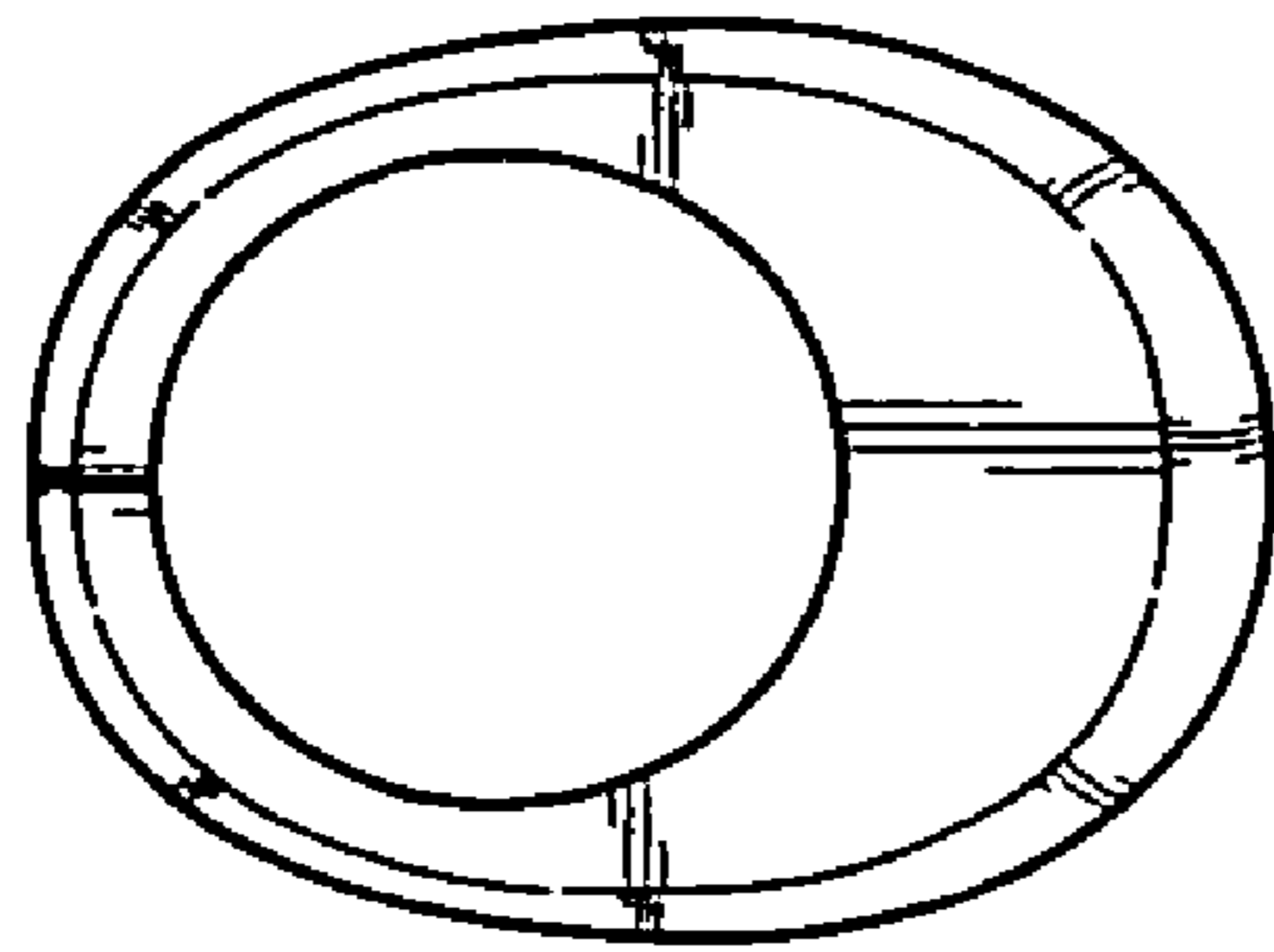


FIG. 6

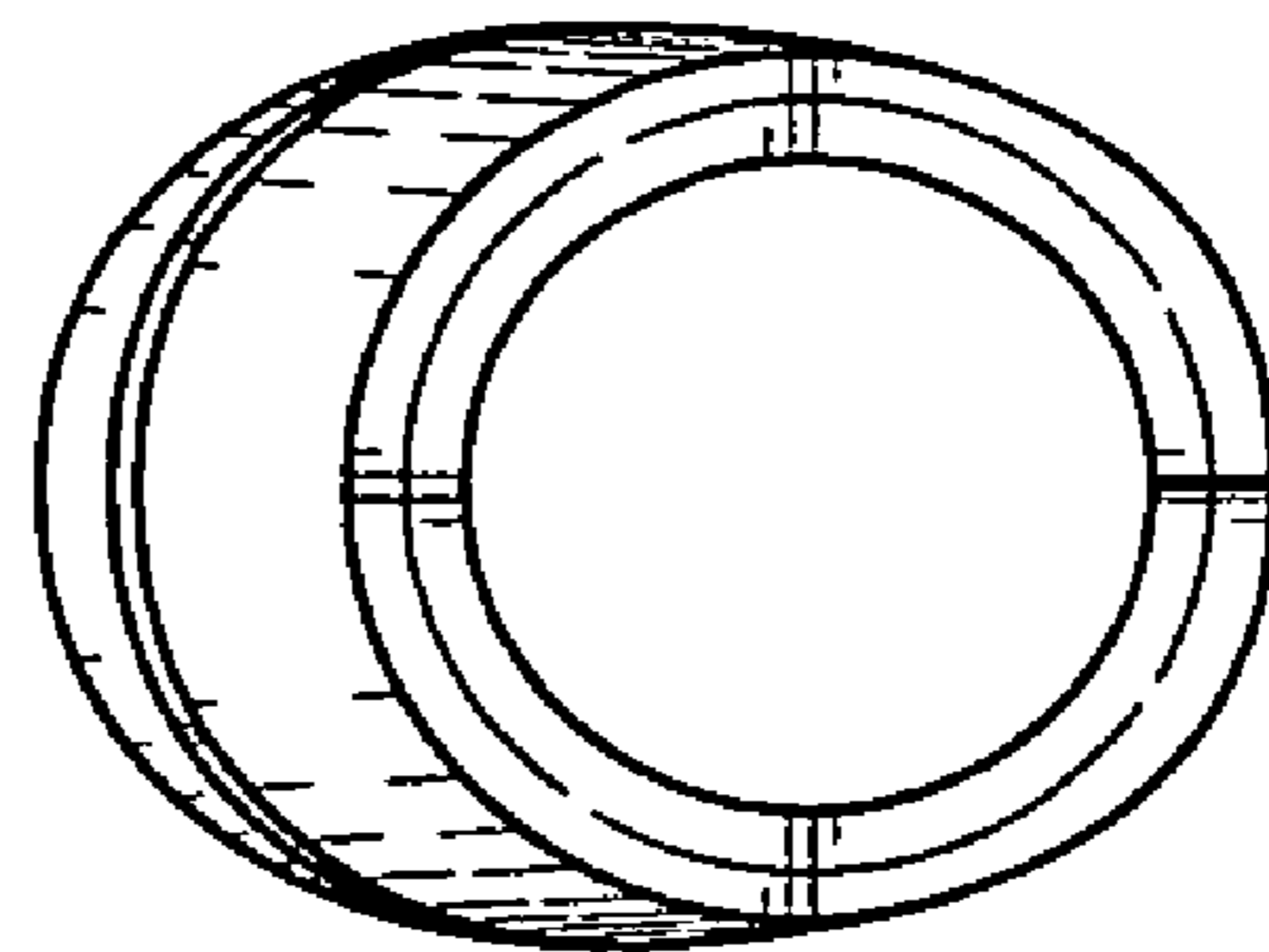


FIG. 7

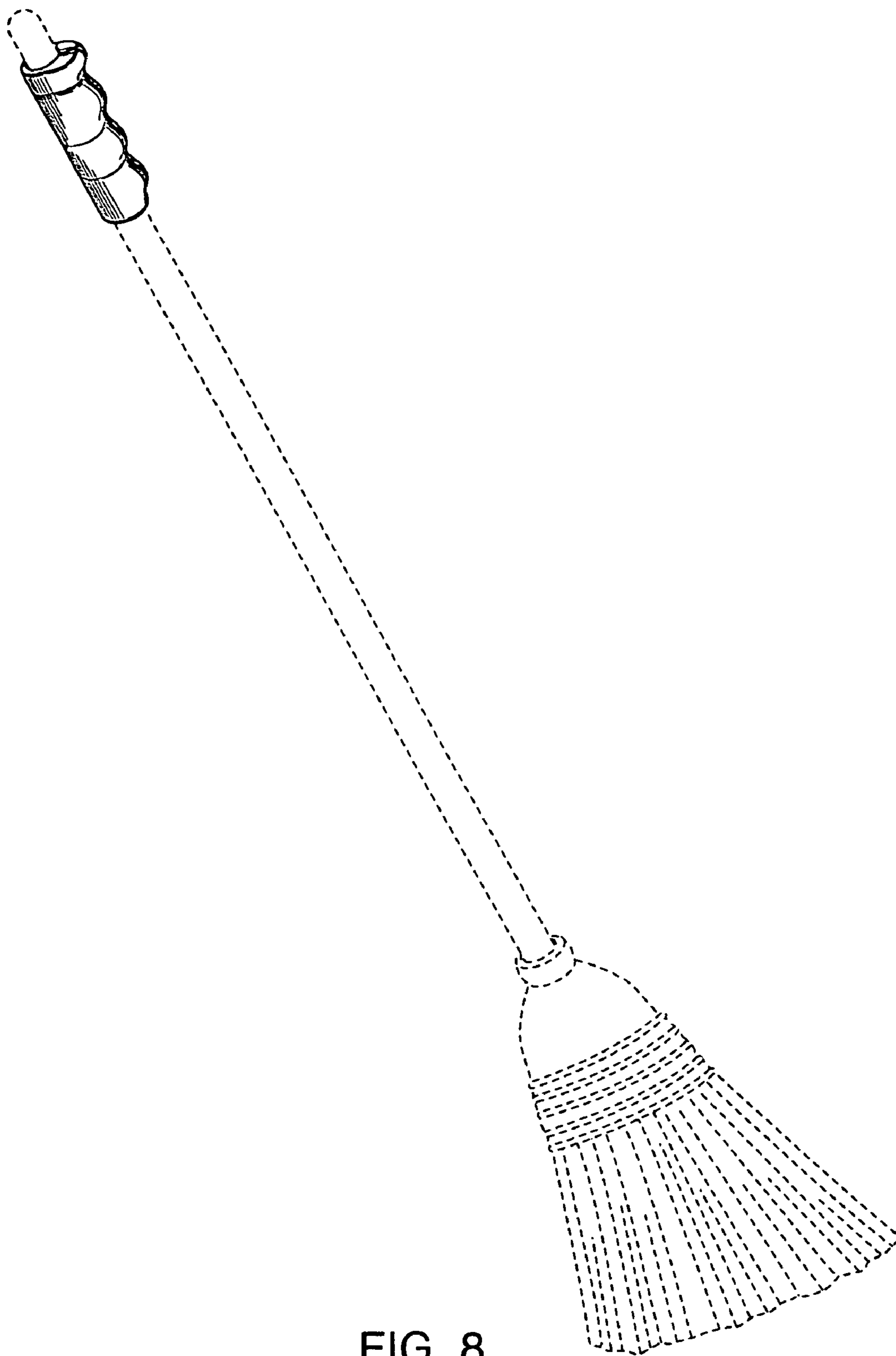


FIG. 8