

US00D573340S

(12) **United States Design Patent**
Shtyn et al.

(10) **Patent No.:** **US D573,340 S**
(45) **Date of Patent:** **** Jul. 22, 2008**

(54) **SHOE DRYER AND STRETCHER**

(76) Inventors: **Marko Shtyn**, 4640 10th Avenue West,
#101, Vancouver, B.C. (CA) V6R2J5;
Shtyn Lev, 4640 10th Avenue West,
#101, Vancouver, B.C. (CA) V6R2J5

(**) Term: **14 Years**

(21) Appl. No.: **29/269,347**

(22) Filed: **Nov. 28, 2006**

(51) **LOC (8) Cl.** **02-99**

(52) **U.S. Cl.** **D2/979**

(58) **Field of Classification Search** D2/946,
D2/979; 12/114.2-120.5

See application file for complete search history.

(56) **References Cited**

U.S. PATENT DOCUMENTS

254,423	A *	2/1882	Yokom	12/115.6
497,150	A *	5/1893	Whitcher	12/115.6
795,871	A *	8/1905	Watson	12/116.2
1,568,432	A *	1/1926	Weise	12/116.8
2,015,224	A *	9/1935	Horsting	12/115.6
2,039,021	A *	4/1936	Mitchell	12/115.6
2,111,669	A *	3/1938	Lazarus	12/116.8
2,408,545	A *	10/1946	Barber	12/116.8
2,545,090	A *	3/1951	Lau	12/116.8
2,553,933	A *	5/1951	Gerardo	12/116.8
2,685,699	A *	8/1954	Norton, Jr.	12/116.8

3,251,083	A *	5/1966	Bay	12/116.6
D206,932	S *	2/1967	Bellock	D2/979
D212,576	S *	10/1968	Wiles	D2/979
3,501,792	A *	3/1970	Merriman	12/115.6
3,512,199	A *	5/1970	Messinger	12/117.4
3,619,836	A *	11/1971	Tank	12/117.2
D336,149	S *	6/1993	Carmichael	D2/979
D338,323	S *	8/1993	Bramble	D2/979
5,507,056	A *	4/1996	Brown	12/114.2
5,659,913	A *	8/1997	Toscanini et al.	12/115.6
5,732,428	A *	3/1998	Brown	12/115.4
6,550,088	B1 *	4/2003	Chang	12/114.2
6,883,197	B2 *	4/2005	Tak	12/115.8

* cited by examiner

Primary Examiner—Dominic Simone

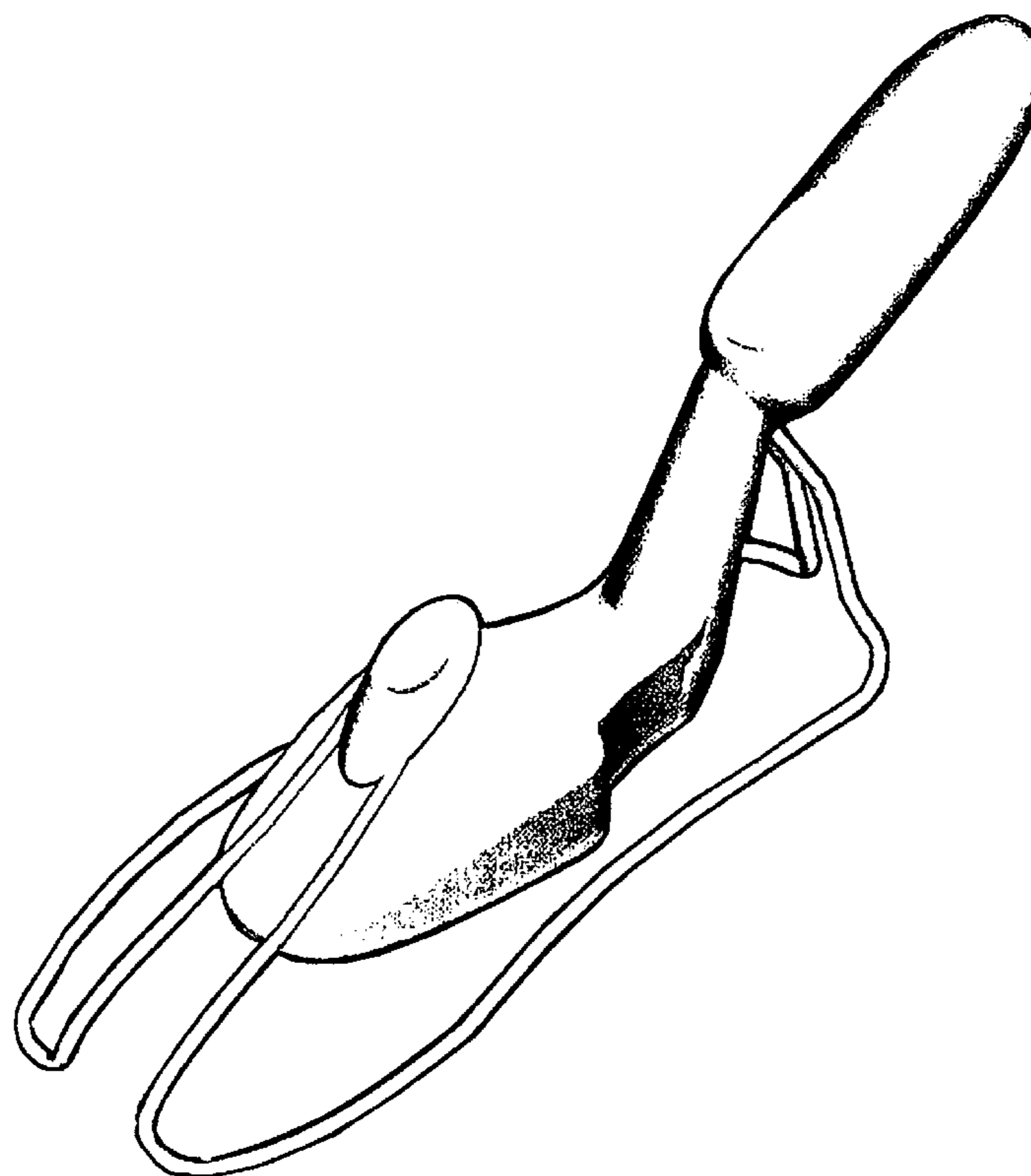
(57) **CLAIM**

The ornamental design for a shoe dryer and stretcher, as shown and described.

DESCRIPTION

FIG. 1 is an isometric view.
FIG. 2 is a top view.
FIG. 3 is a side view, the other side being identical.
FIG. 4 is a rear view.
FIG. 5 is a front view; and,
FIG. 6 is a bottom view.

1 Claim, 3 Drawing Sheets



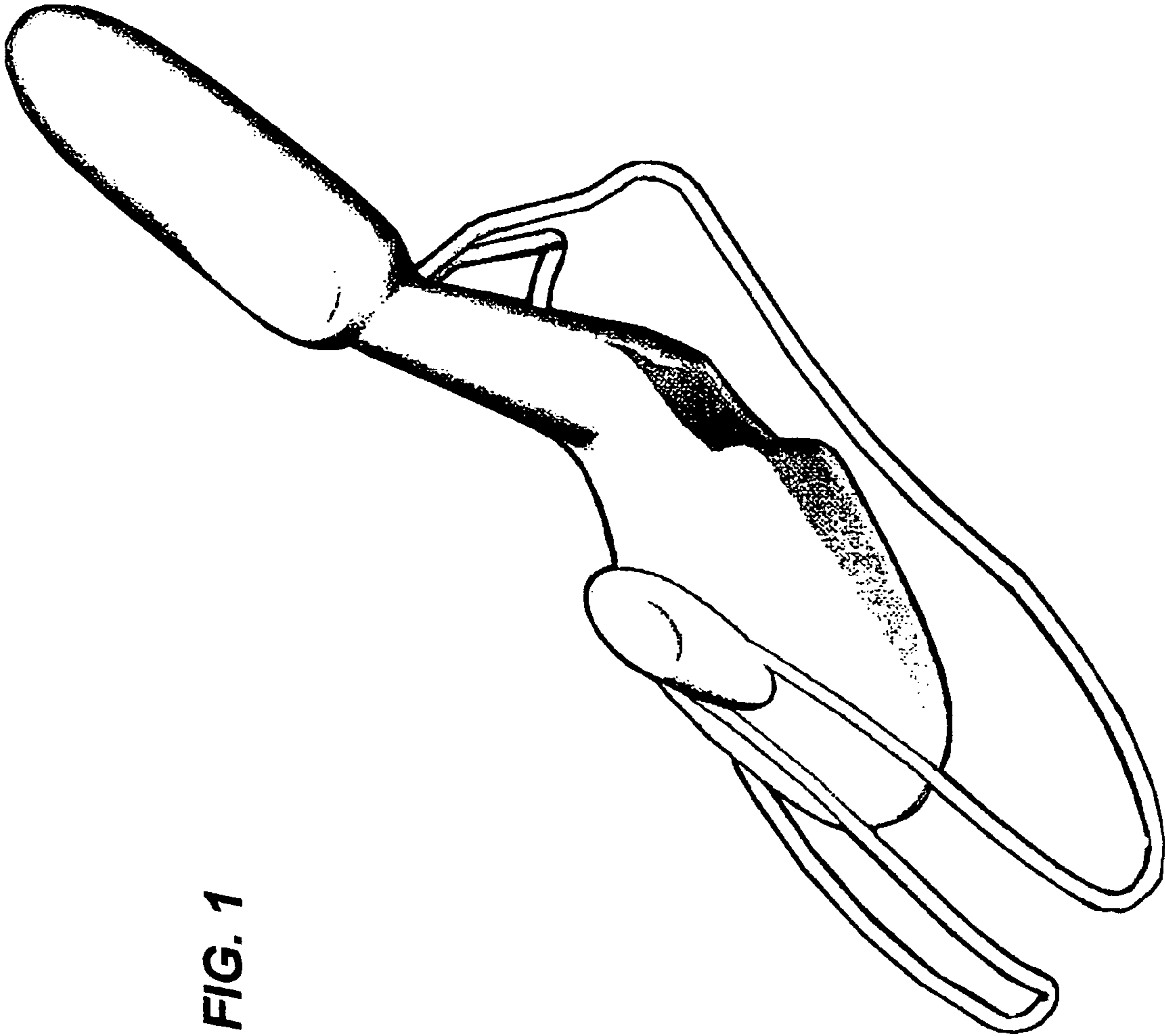


FIG. 1

FIG. 2

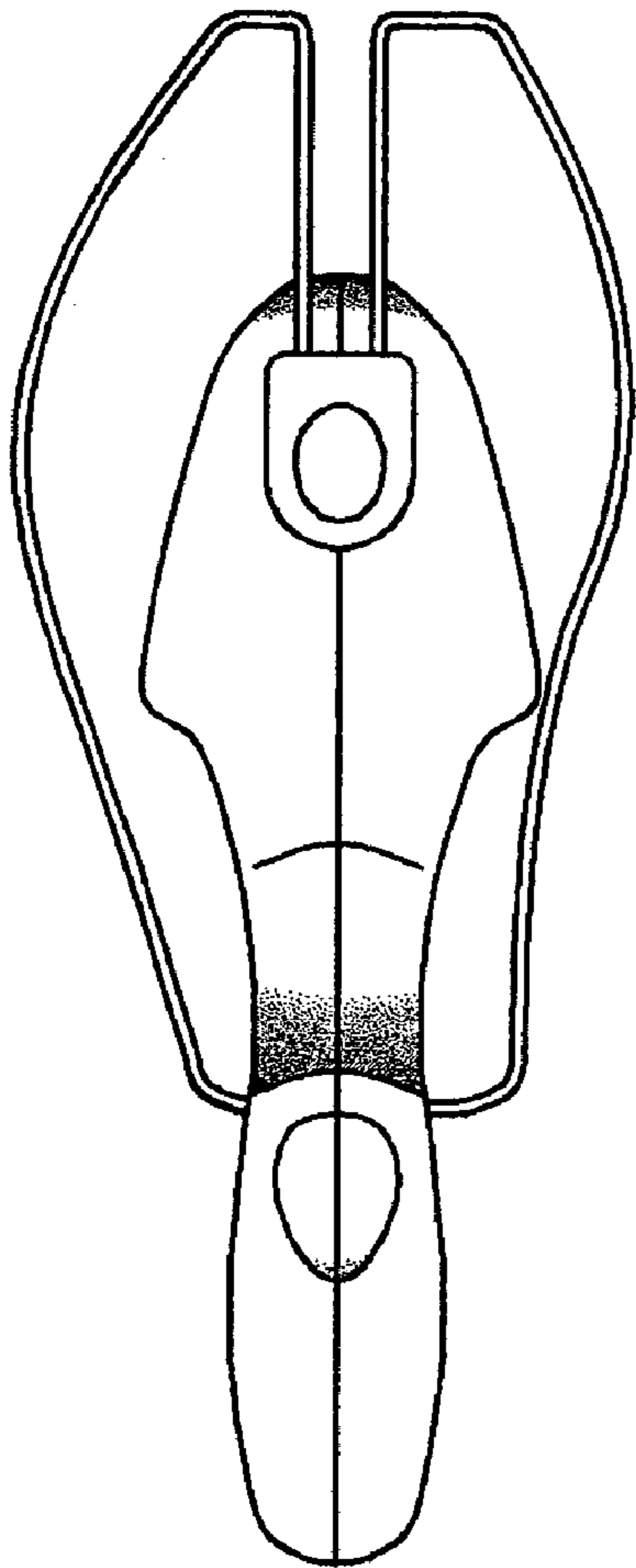
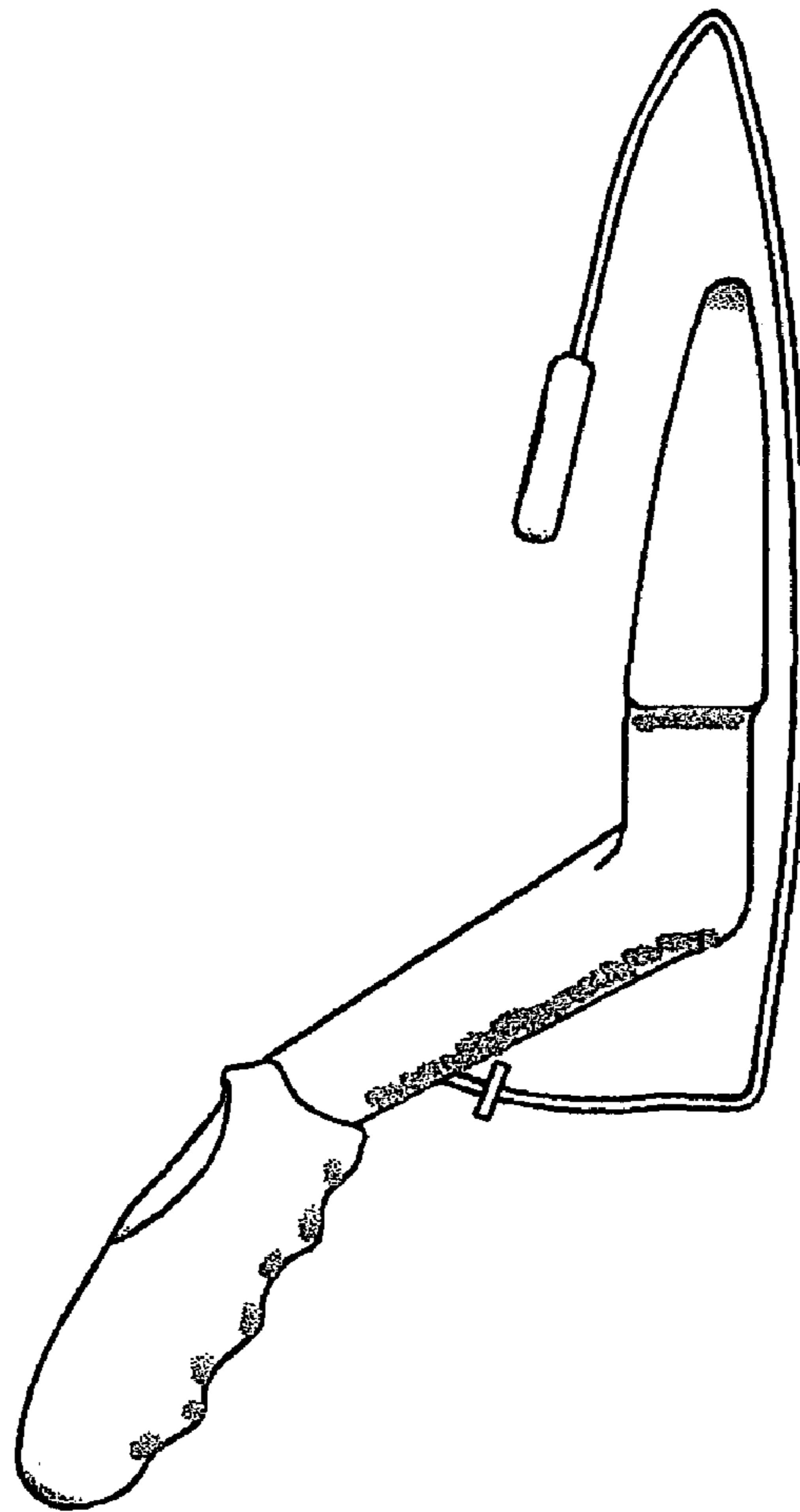


FIG. 3



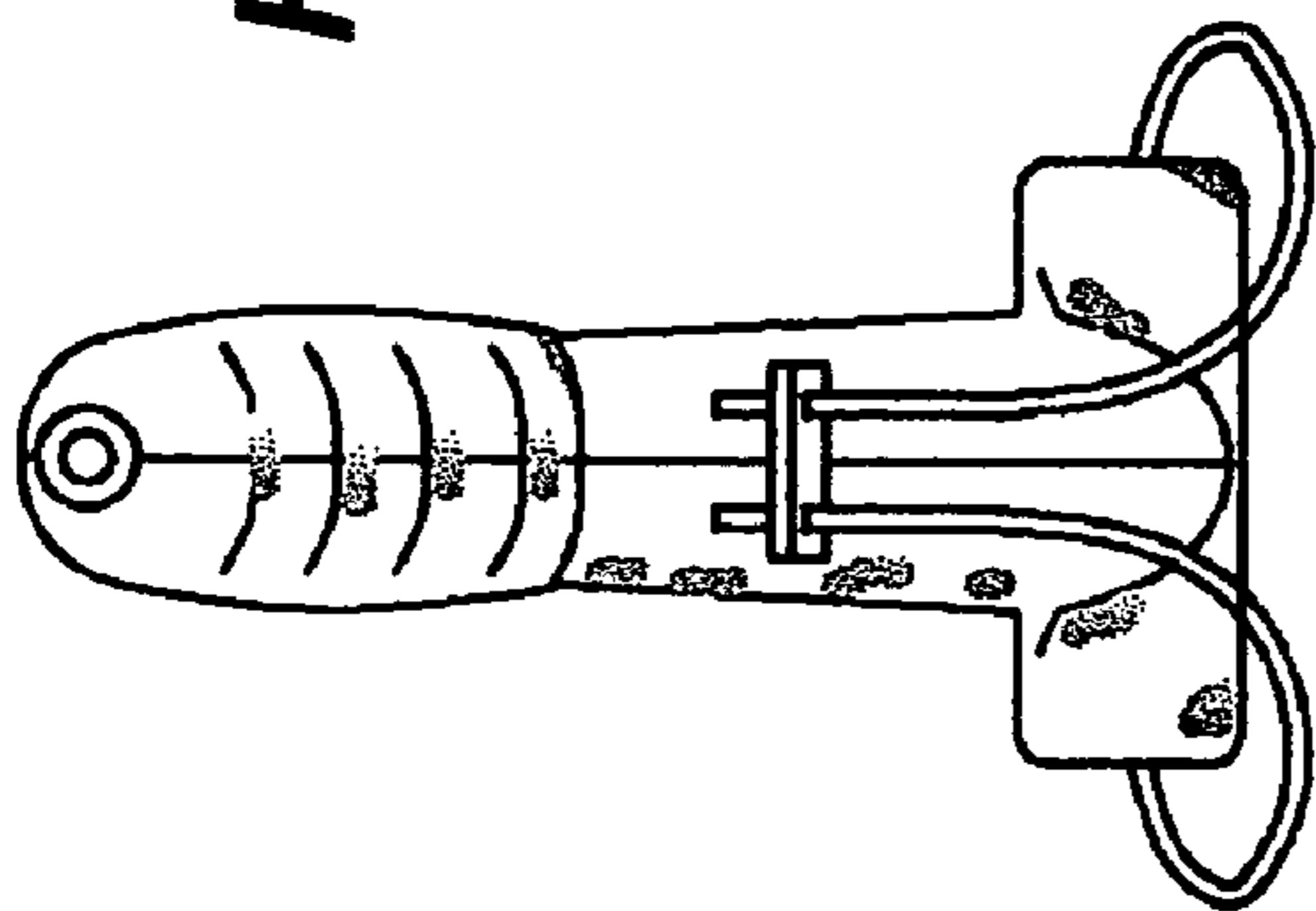


FIG. 4

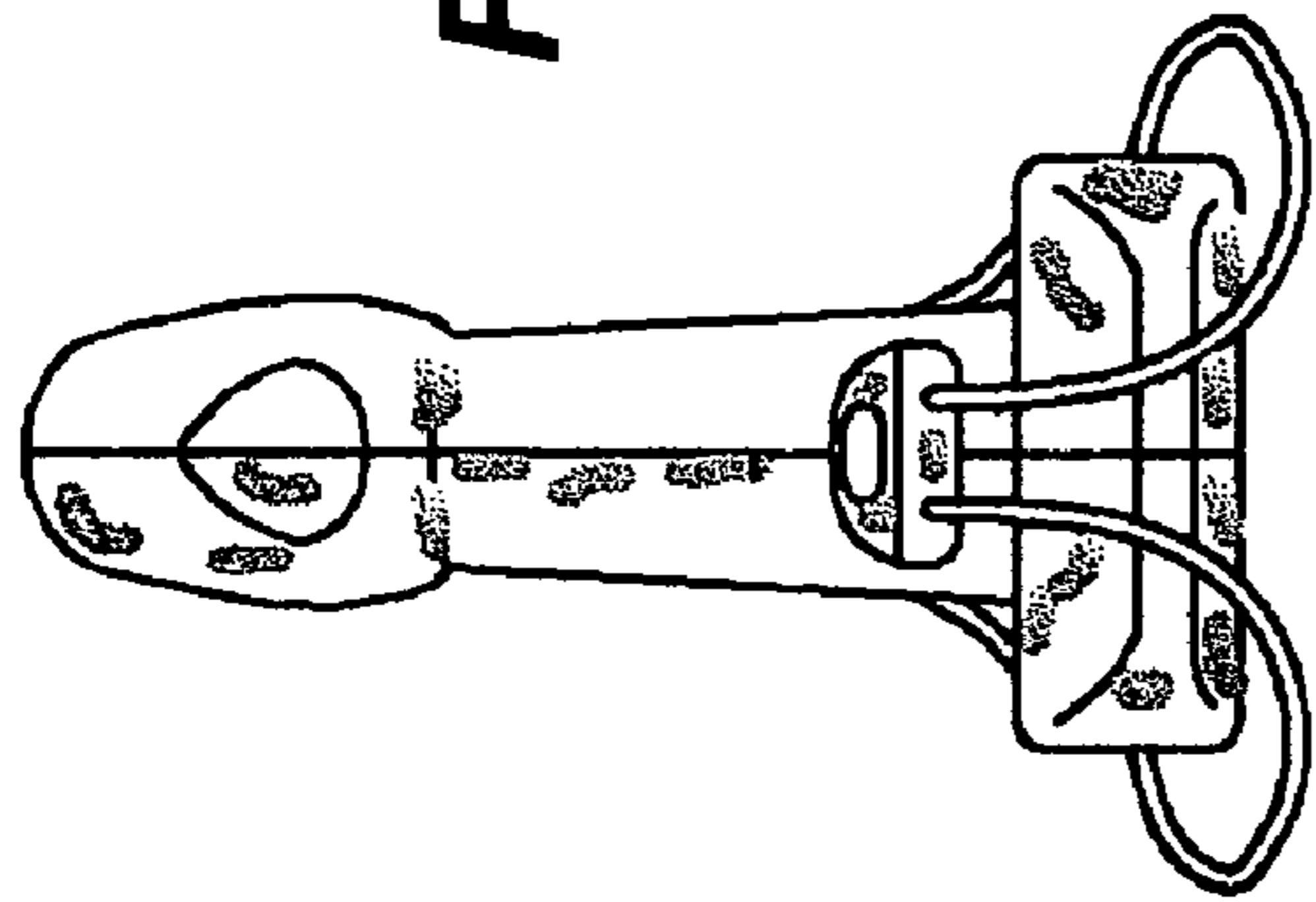


FIG. 5

FIG. 6

