



US00D573327S

(12) **United States Design Patent**
Berman

(10) **Patent No.:** **US D573,327 S**
(45) **Date of Patent:** **** Jul. 22, 2008**

(54) **MINI BRICK POUCH WITH SMALL SPOUT**

D531,914 S * 11/2006 Berman D9/708

(76) **Inventor:** **Ronald H. Berman**, 203 Argonne Ave.,
Long Beach, CA (US) 90803

* cited by examiner

(**) **Term:** **14 Years**

Primary Examiner—Stella M. Reid

Assistant Examiner—Rashida C McCoy

(21) **Appl. No.:** **29/271,235**

(74) *Attorney, Agent, or Firm*—Fulwider Patton LLP

(22) **Filed:** **Jan. 12, 2007**

(57) **CLAIM**

The ornamental design for a mini brick pouch with small spout, as shown and described.

(51) **LOC (8) Cl.** **09-01**

(52) **U.S. Cl.** **D2/708**

(58) **Field of Classification Search** D9/708,
D9/702, 705, 707–710, 763, 767, 771, 417,
D9/431, 435, 523, 527; 222/541.1, 541.5;
229/123.2; 220/495.3; 383/61.2, 80, 104,
383/211

DESCRIPTION

FIG. 1 is a perspective view of a mini brick pouch with small spout, showing my new design;

FIG. 2 is a front view thereof;

FIG. 3 is a rear view thereof;

FIG. 4 is a first side view thereof;

FIG. 5 is a second side view thereof;

FIG. 6 is a top view thereof; and,

FIG. 7 is a bottom view thereof.

See application file for complete search history.

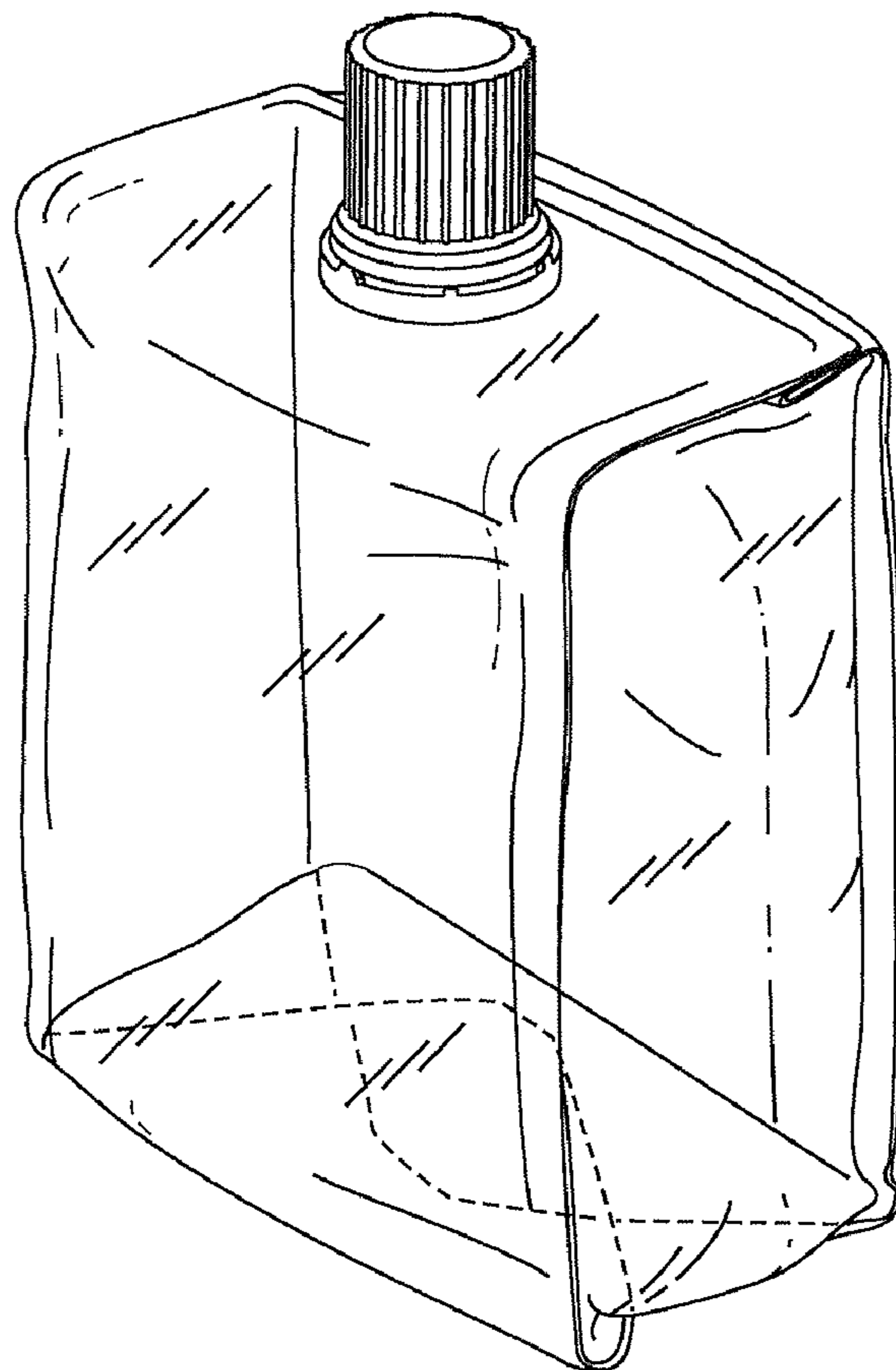
The broken lines are included for illustrative purposes only and form no part of the claimed design.

(56) **References Cited**

U.S. PATENT DOCUMENTS

- 3,719,318 A * 3/1973 Moran 383/91
- D464,258 S * 10/2002 Edwards D9/708
- D489,605 S * 5/2004 Berman D9/708
- 6,783,277 B2 * 8/2004 Edwards et al. 383/104

1 Claim, 4 Drawing Sheets



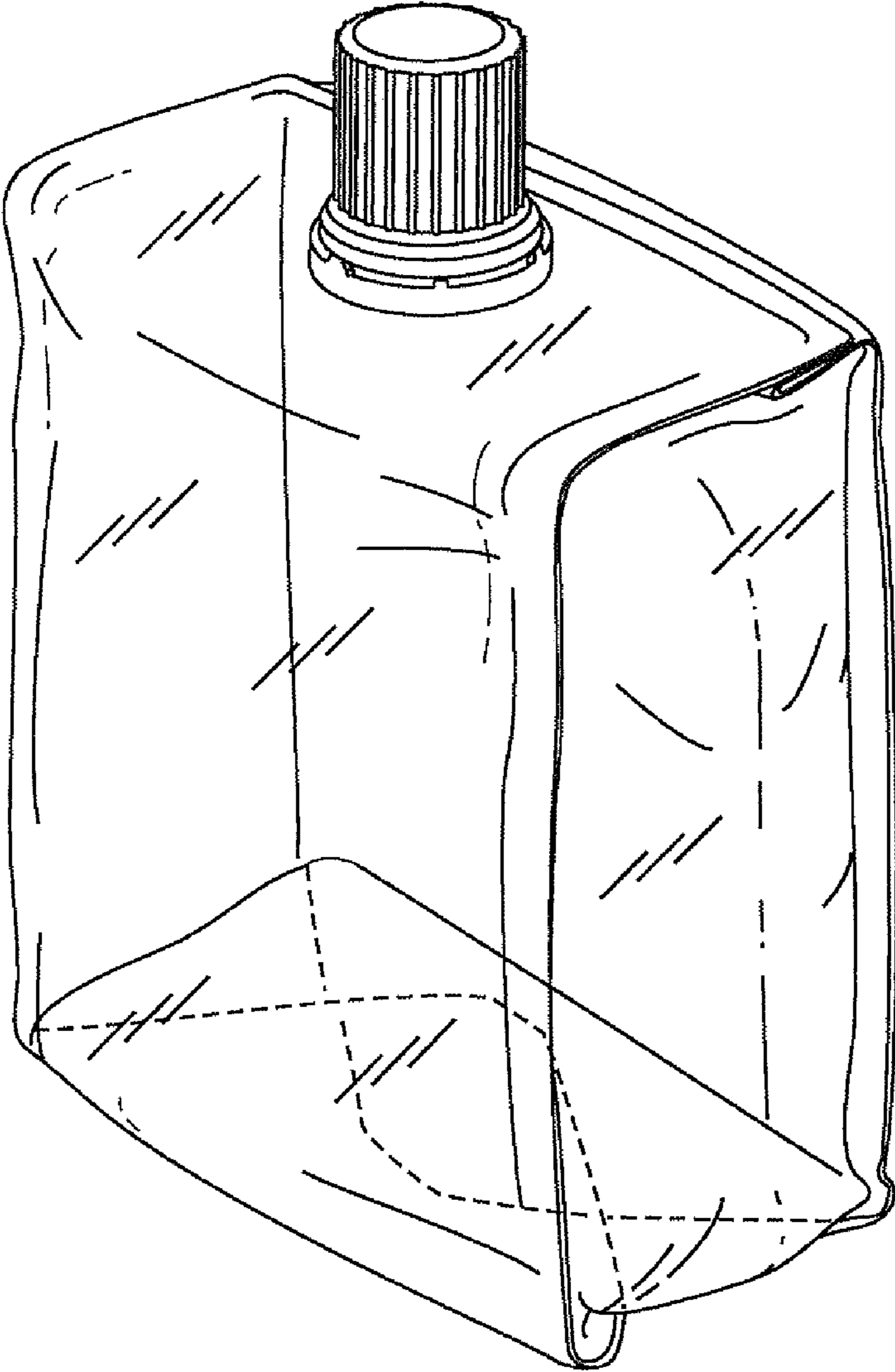


FIG. 1

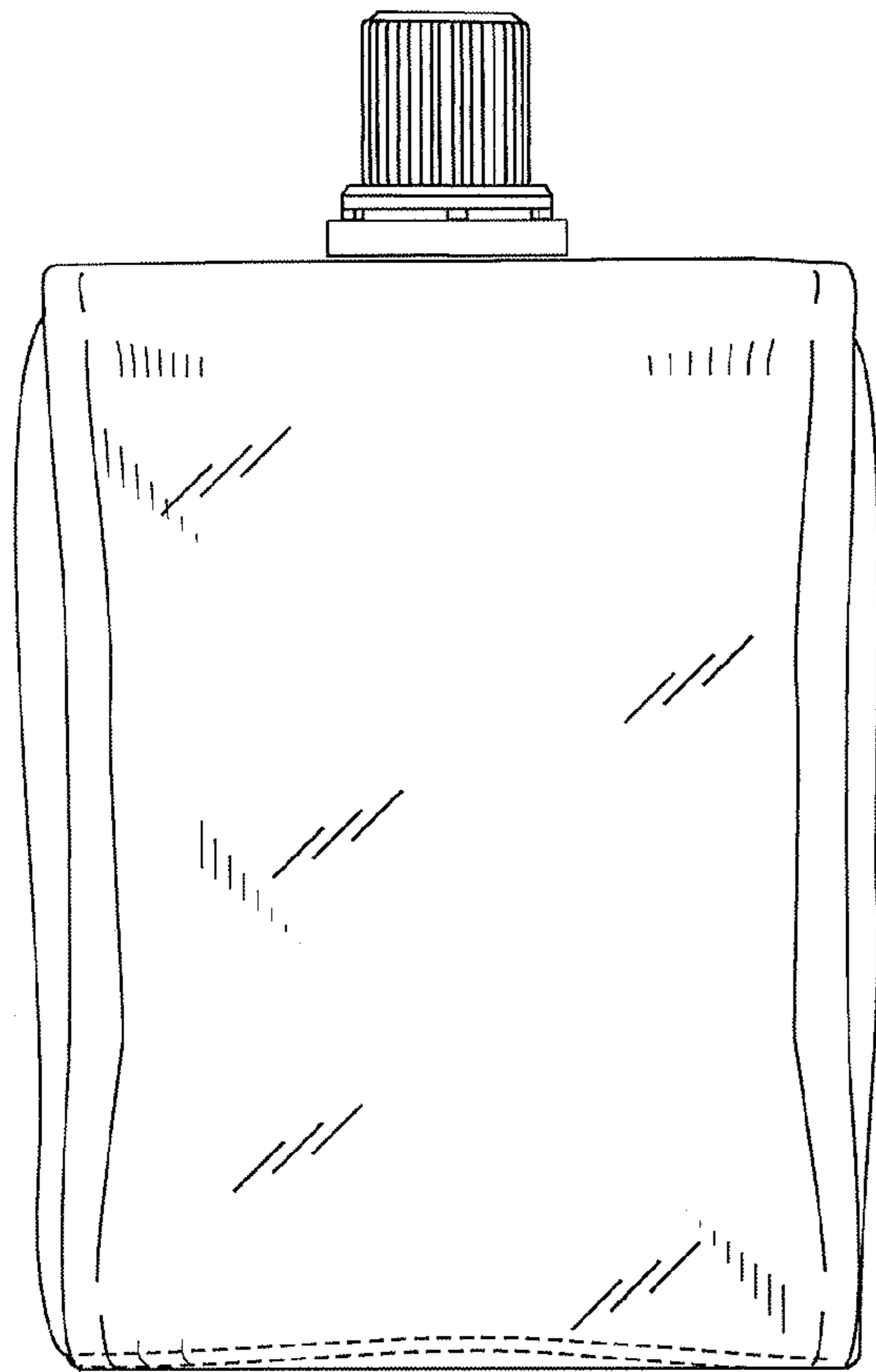


FIG. 2

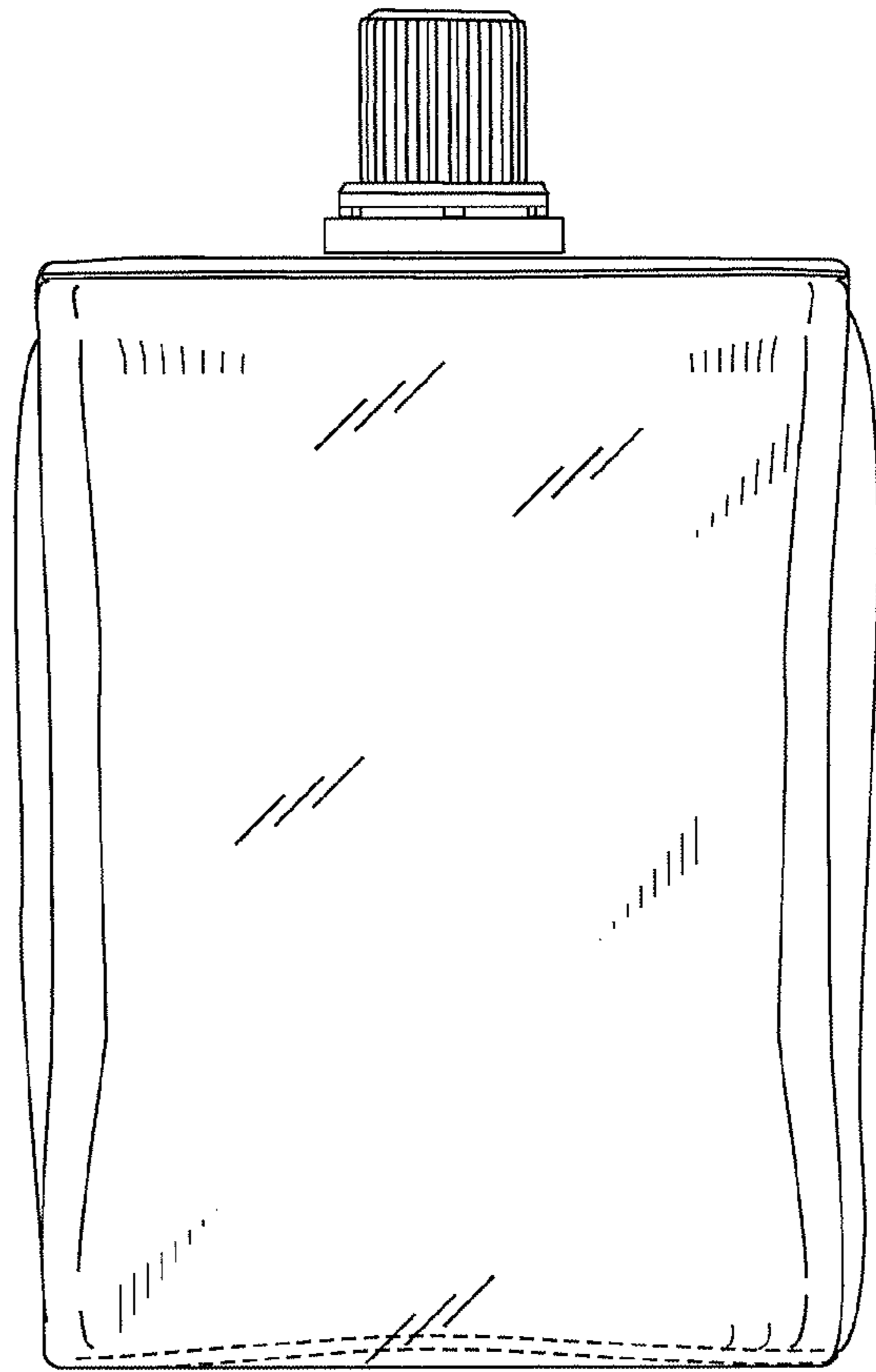


FIG. 3

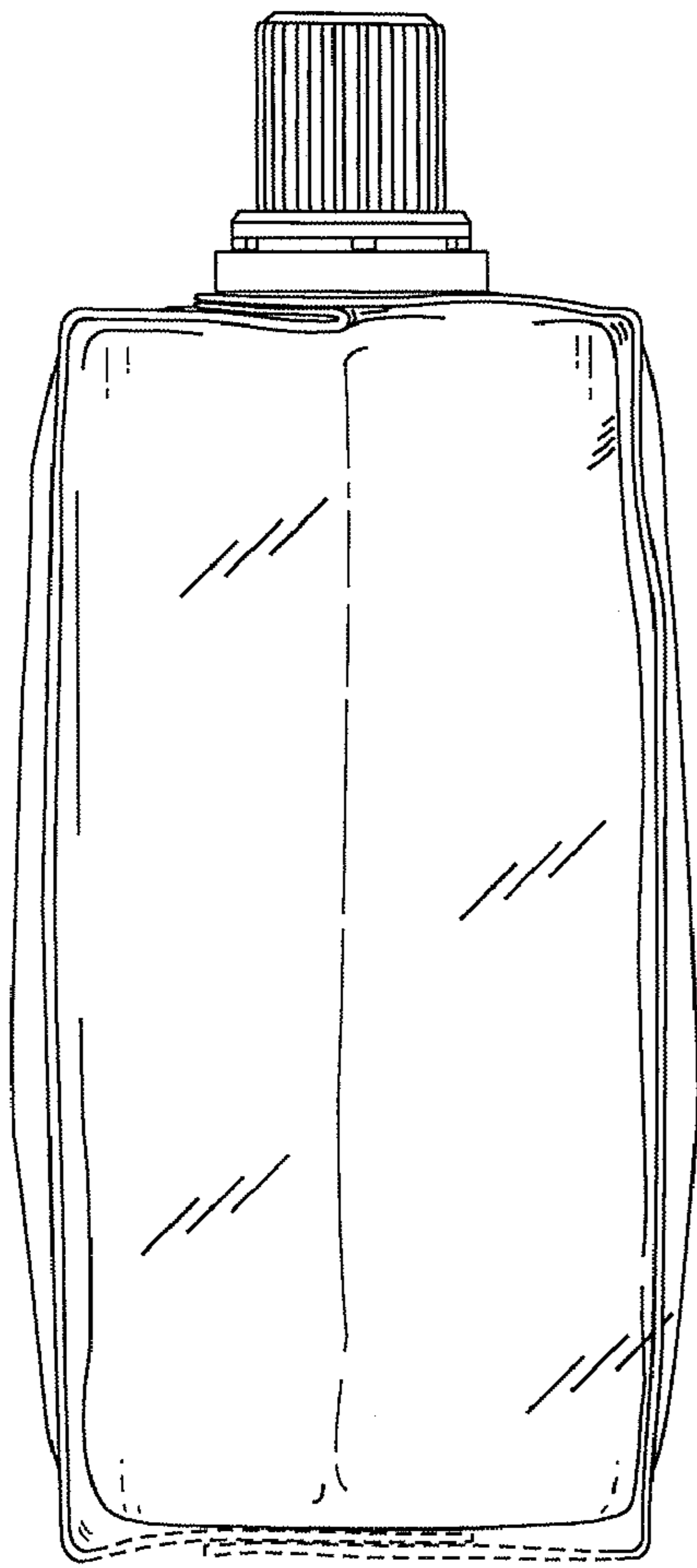


FIG. 4

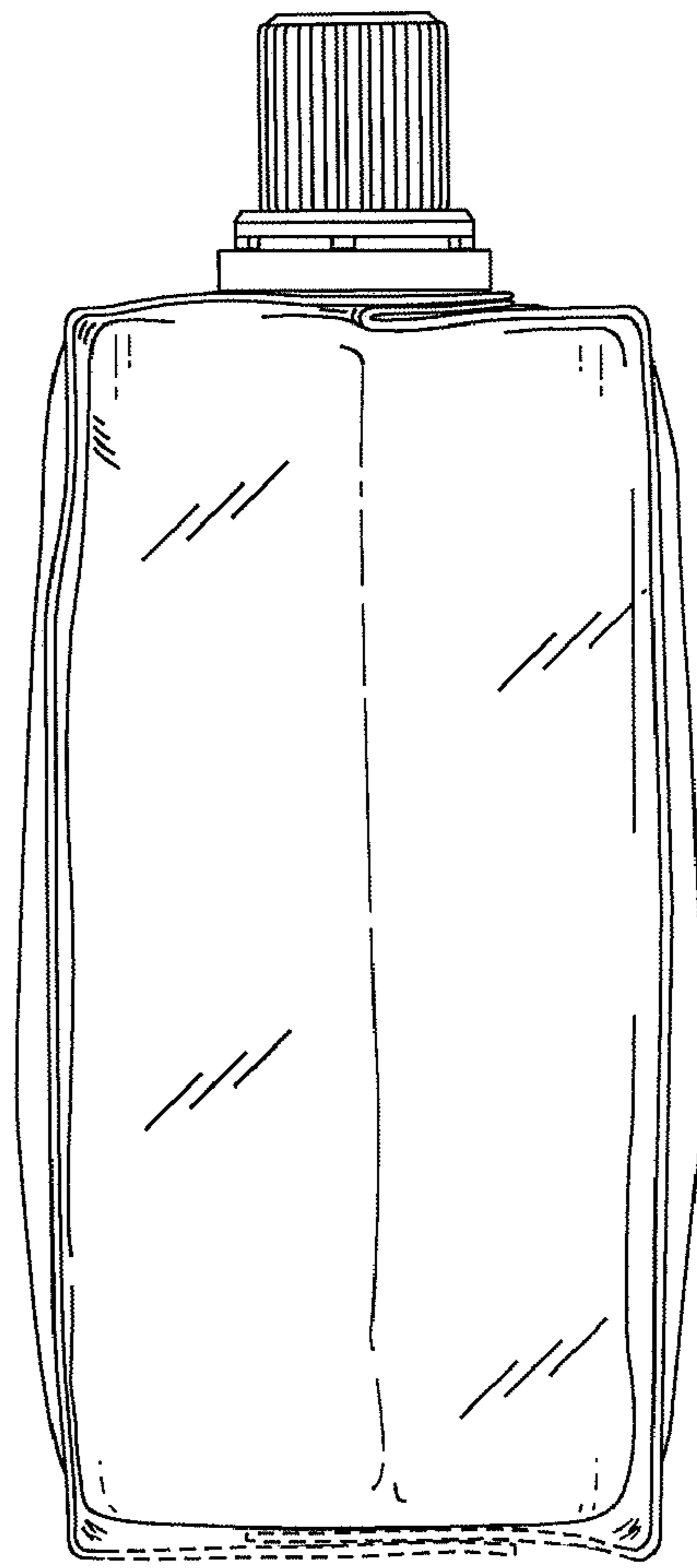


FIG. 5

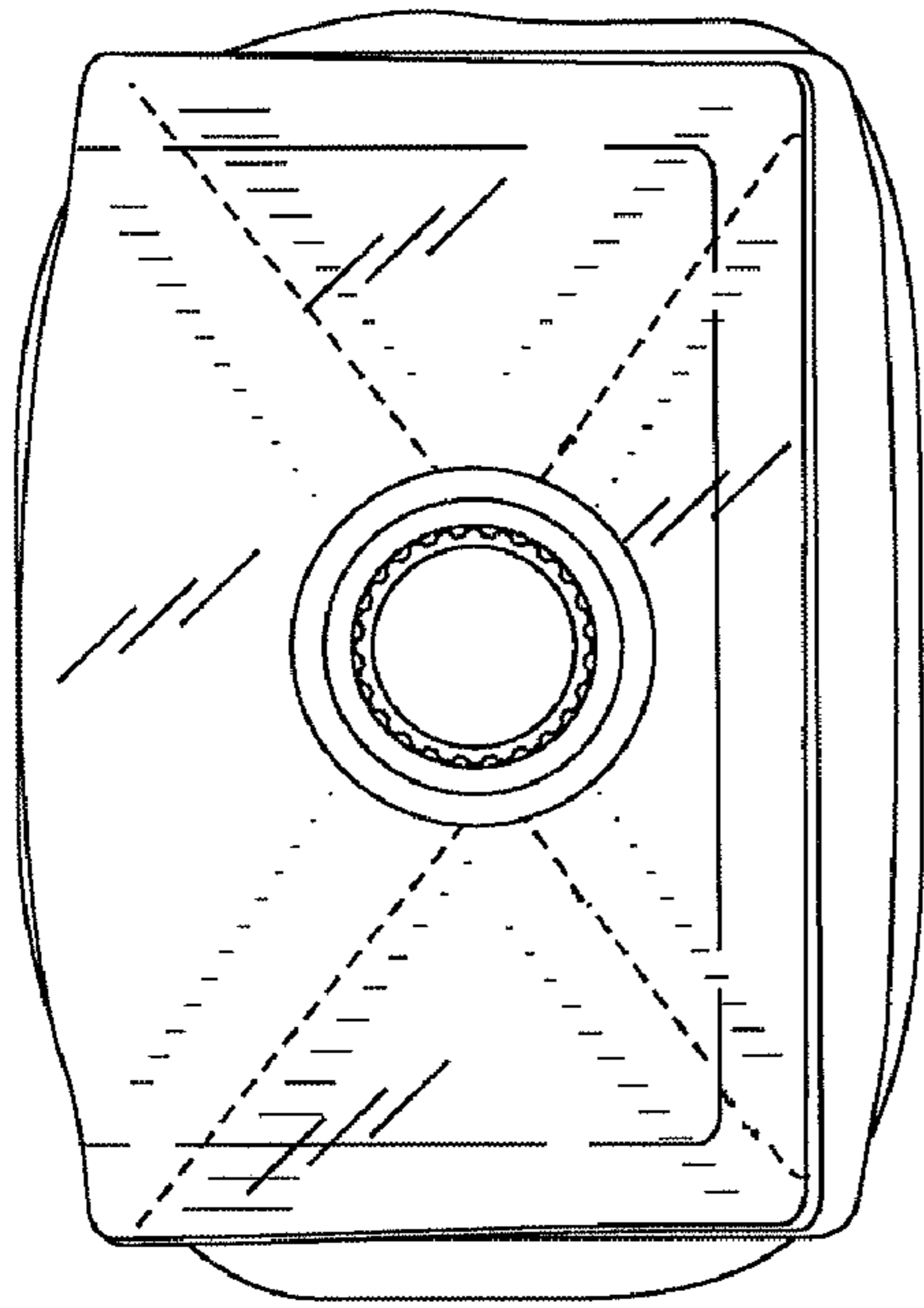


FIG. 6

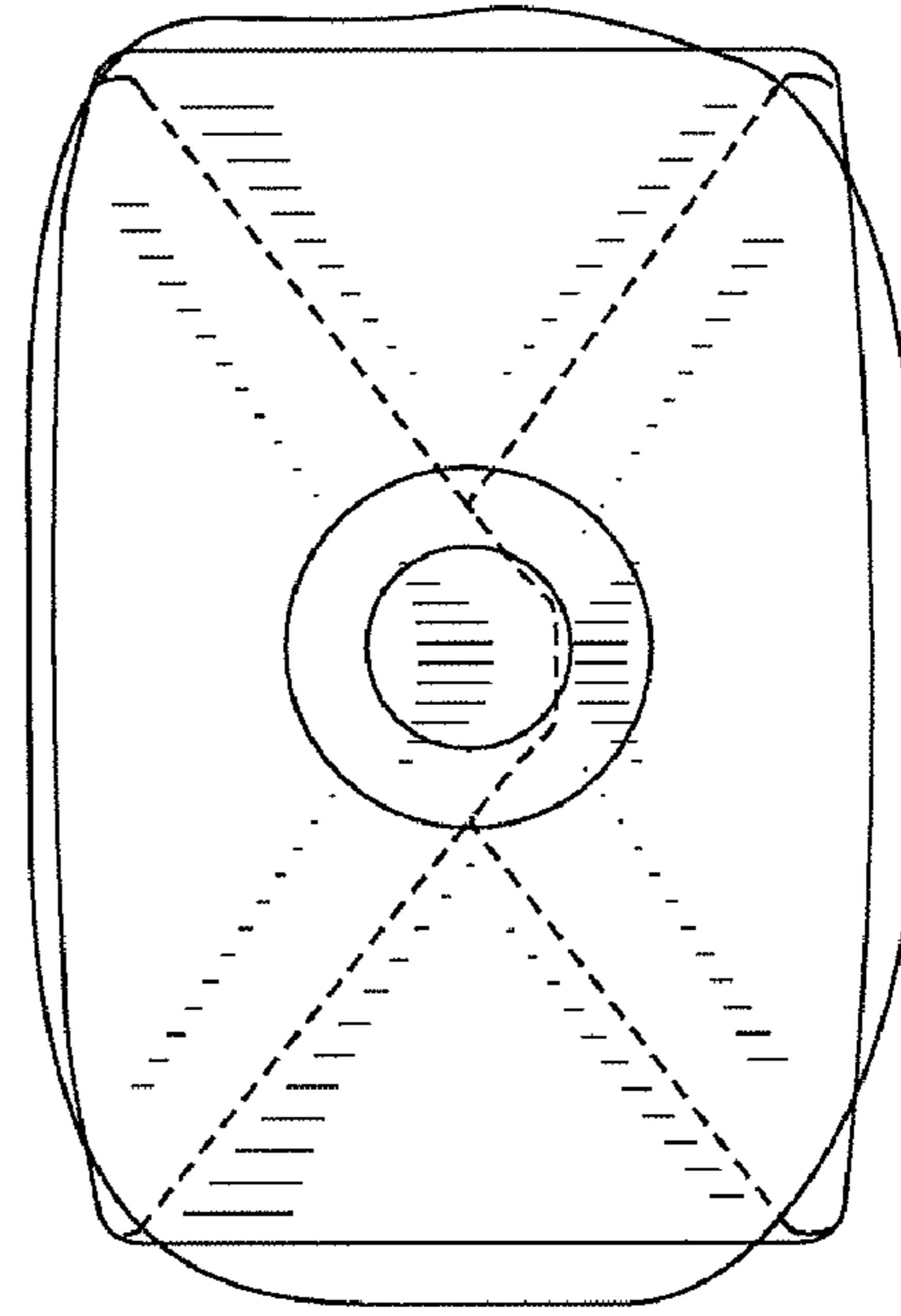


FIG. 7