



US00D573324S

(12) **United States Design Patent**  
**Hernandez**

(10) **Patent No.:** **US D573,324 S**

(45) **Date of Patent:** **\*\* \*Jul. 15, 2008**

(54) **MULTI-POSITION MECHANIC'S CREEPER**

(75) Inventor: **Hector R. Hernandez**, Fullerton, CA  
(US)

(73) Assignee: **Alltrade Tools, LLC**, Long Beach, CA  
(US)

(\*\*) Term: **14 Years**

(21) Appl. No.: **29/281,587**

(22) Filed: **Jun. 26, 2007**

**Related U.S. Application Data**

(63) Continuation of application No. 29/263,110, filed on Jul. 17, 2006, now Pat. No. Des. 547,517.

(51) **LOC (8) Cl.** ..... **12-02**

(52) **U.S. Cl.** ..... **D34/23**

(58) **Field of Classification Search** ..... D34/12-27;  
280/32.5, 32.6, 79.11, 79.2, 79.7  
See application file for complete search history.

(56) **References Cited**

**U.S. PATENT DOCUMENTS**

|             |         |               |
|-------------|---------|---------------|
| 546,993 A   | 10/1895 | Bigalow       |
| 781,243 A   | 1/1905  | Thompson      |
| 1,149,407 A | 8/1915  | Power         |
| 1,209,447 A | 12/1916 | Johnson       |
| 1,218,519 A | 3/1917  | Bradley       |
| 1,226,585 A | 5/1917  | Parker et al. |
| 1,302,301 A | 4/1919  | Broome        |
| 1,349,941 A | 8/1920  | Broome        |
| 1,363,023 A | 12/1920 | Taylor        |
| 1,394,493 A | 10/1921 | Grazer        |
| 1,511,943 A | 10/1924 | Bush          |
| 1,643,268 A | 9/1927  | Burnwatt      |

|             |         |               |
|-------------|---------|---------------|
| 2,054,598 A | 9/1936  | Goldenberg    |
| 2,509,934 A | 5/1950  | Murray        |
| 2,611,417 A | 9/1952  | Henry et al.  |
| 2,692,636 A | 10/1954 | Morrison      |
| 3,799,566 A | 3/1974  | Thompson      |
| 3,984,116 A | 10/1976 | Bowers        |
| 4,352,597 A | 10/1982 | Kay           |
| 4,366,599 A | 1/1983  | Zimmer et al. |
| D270,962 S  | 10/1983 | Martell       |

(Continued)

*Primary Examiner*—Cynthia E Ramirez

(74) *Attorney, Agent, or Firm*—Steptoe & Johnson LLP

(57) **CLAIM**

The ornamental design for a multi-position mechanic's creeper, as shown and described.

**DESCRIPTION**

FIG. 1 is a perspective view, depicting a multi-position mechanic's creeper of the present invention;

FIG. 2 is a perspective view, depicting the underside of the multi-position mechanic's creeper of FIG. 1;

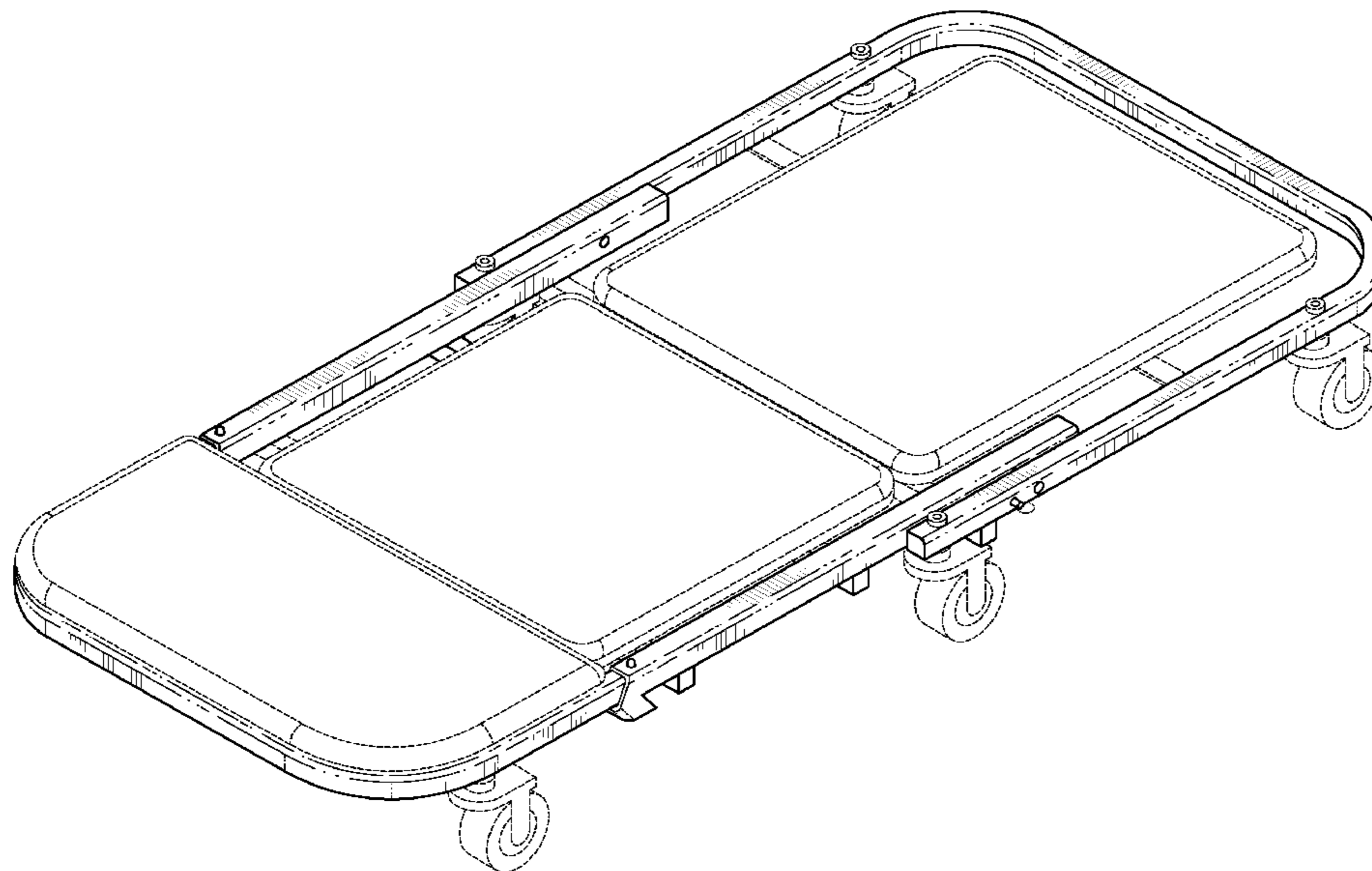
FIG. 3 is a top view, depicting the multi-position mechanic's creeper of FIG. 1;

FIG. 4 is a side view, depicting the multi-position mechanic's creeper of FIG. 1;

FIG. 5 is a perspective view, depicting the multi-position mechanic's creeper of FIG. 1 in an inclined seating configuration; and,

FIG. 6 is a perspective view, depicting the multi-position mechanic's creeper of FIG. 1 in an upright seating configuration.

**1 Claim, 5 Drawing Sheets**



# US D573,324 S

Page 2

---

| U.S. PATENT DOCUMENTS |   |         |                        |              |    |          |                        |
|-----------------------|---|---------|------------------------|--------------|----|----------|------------------------|
| 4,486,919             | A | 12/1984 | Schoenke               | 5,730,449    | A  | 3/1998   | Miles                  |
| 4,580,799             | A | 4/1986  | Quinonez               | D401,029     | S  | 11/1998  | Taylor                 |
| 4,719,665             | A | 1/1988  | Bell                   | 5,857,683    | A  | 1/1999   | Auel                   |
| 4,742,586             | A | 5/1988  | Galumbeck              | 5,863,053    | A  | 1/1999   | Berry                  |
| 4,889,352             | A | 12/1989 | Chamberlin, Jr. et al. | D406,432     | S  | 3/1999   | Taylor et al.          |
| 4,928,350             | A | 5/1990  | Morgan                 | D406,433     | S  | 3/1999   | Taylor et al.          |
| 5,022,670             | A | 6/1991  | Cote et al.            | D406,683     | S  | 3/1999   | Taylor et al.          |
| 5,108,118             | A | 4/1992  | Schaevitz              | 5,895,062    | A  | 4/1999   | Miles et al.           |
| 5,158,503             | A | 10/1992 | Mitchell               | 5,947,489    | A  | 9/1999   | Tucker                 |
| 5,174,592             | A | 12/1992 | Pool                   | 6,059,298    | A  | 5/2000   | Tucker                 |
| 5,195,763             | A | 3/1993  | Scott et al.           | 6,095,532    | A  | 8/2000   | Martin                 |
| 5,217,315             | A | 6/1993  | Rosane                 | 6,199,877    | B1 | 3/2001   | Shockley               |
| 5,251,359             | A | 10/1993 | Finkl                  | 6,702,305    | B2 | 3/2004   | Miles                  |
| 5,297,809             | A | 3/1994  | Chen                   | 6,705,622    | B2 | 3/2004   | Whiteside              |
| 5,330,209             | A | 7/1994  | Pool                   | 6,834,868    | B1 | 12/2004  | Blackburn              |
| 5,451,068             | A | 9/1995  | Shockley               | 6,966,564    | B2 | 11/2005  | Hernandez, Jr.         |
| 5,494,305             | A | 2/1996  | Chen                   | 6,969,077    | B2 | 11/2005  | Liu                    |
| 5,611,552             | A | 3/1997  | Miles et al.           | RE35,732     | E  | 8/2006   | Shockley               |
| 5,622,404             | A | 4/1997  | Menne                  | D547,517     | S  | * 7/2007 | Hernandez ..... D34/23 |
|                       |   |         |                        | 2004/0227313 | A1 | 11/2004  | Shockley               |

\* cited by examiner

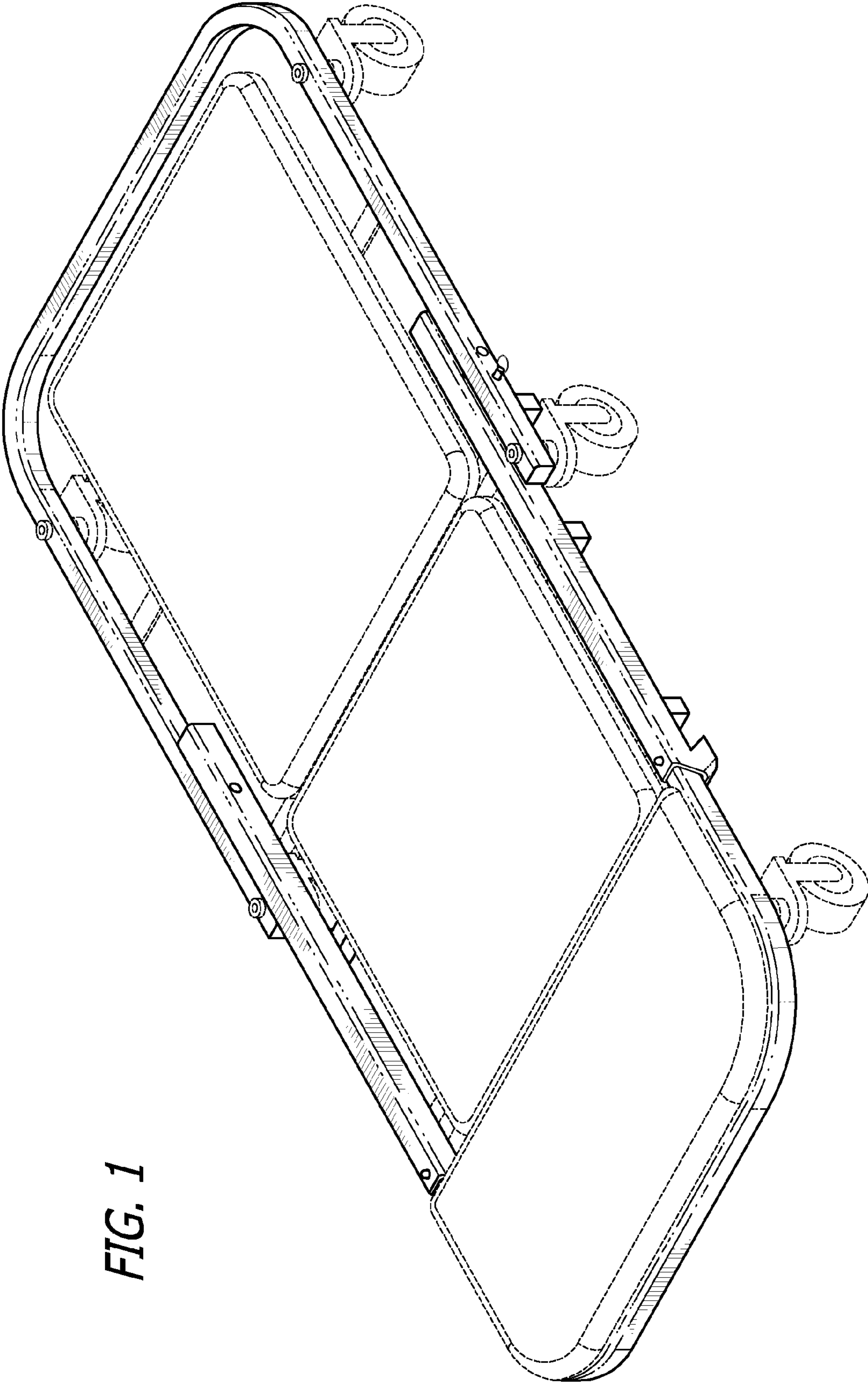


FIG. 1

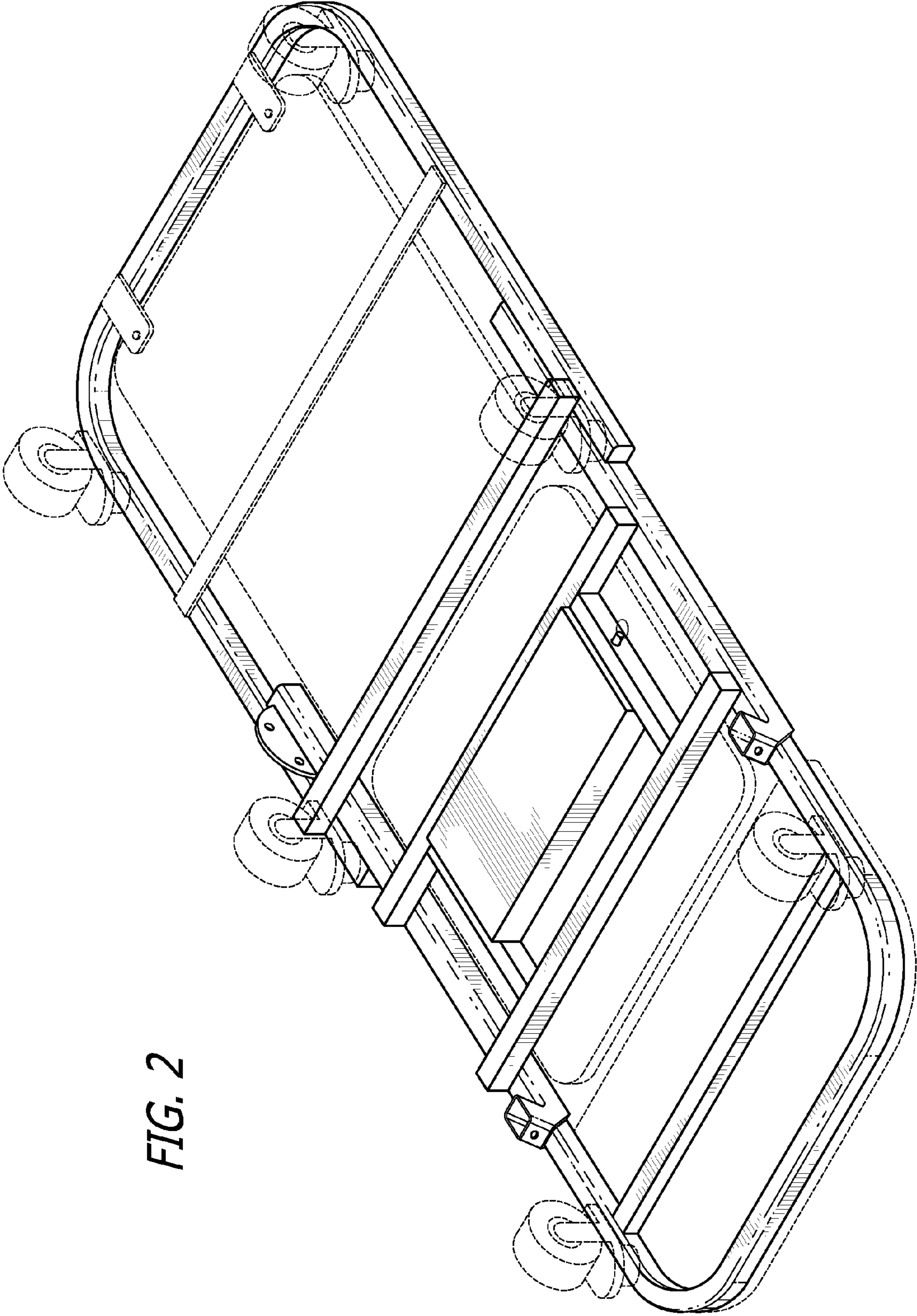


FIG. 2

FIG. 3

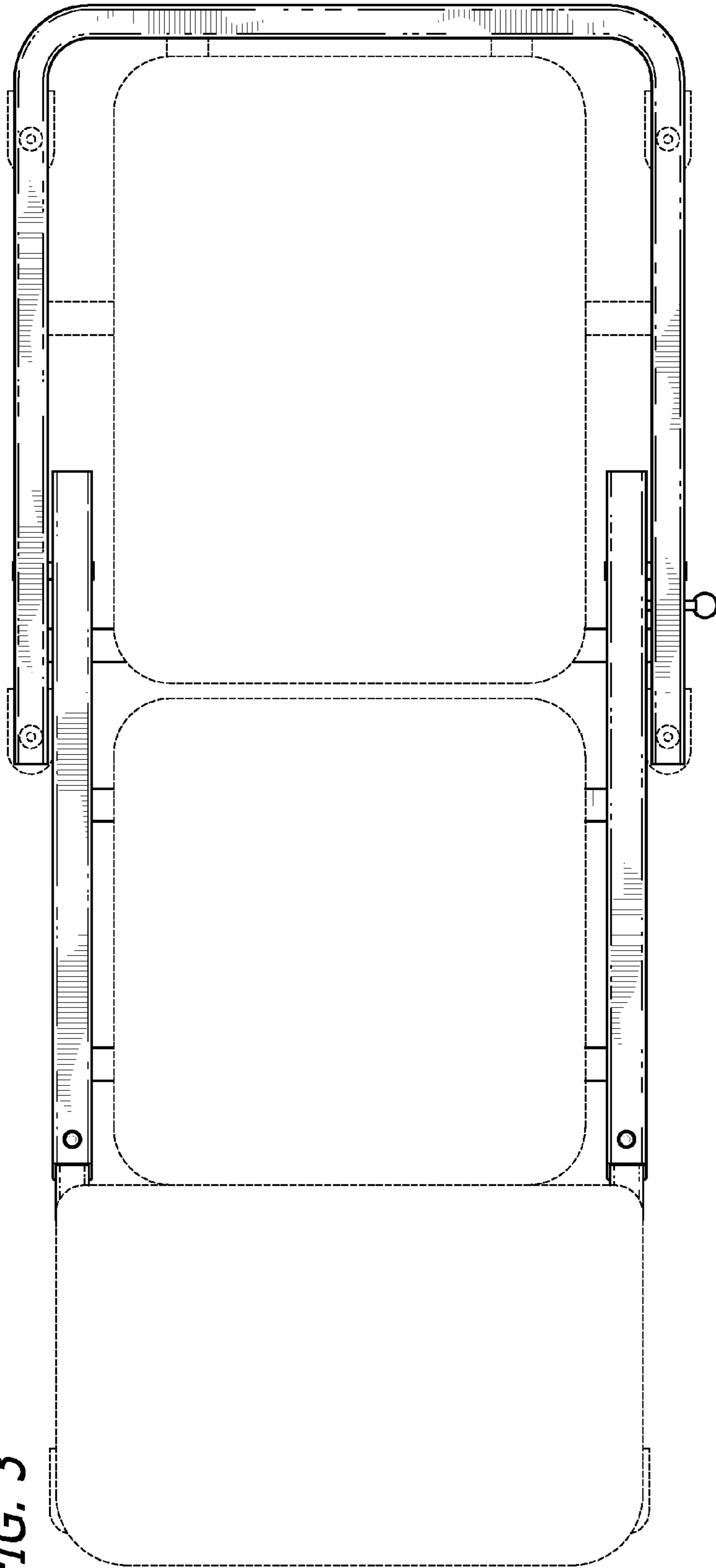
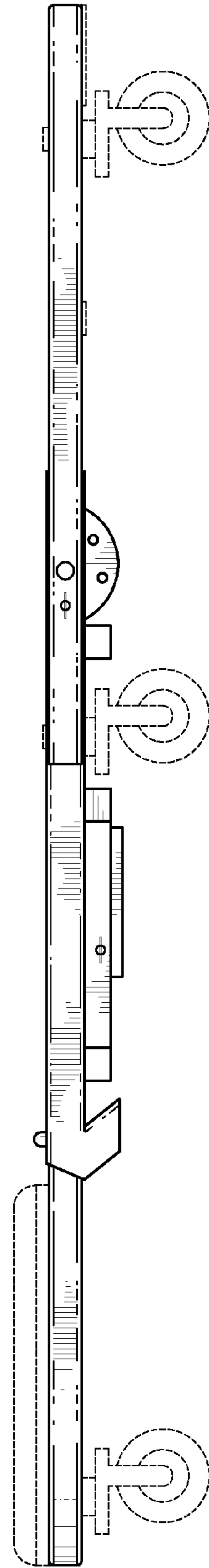
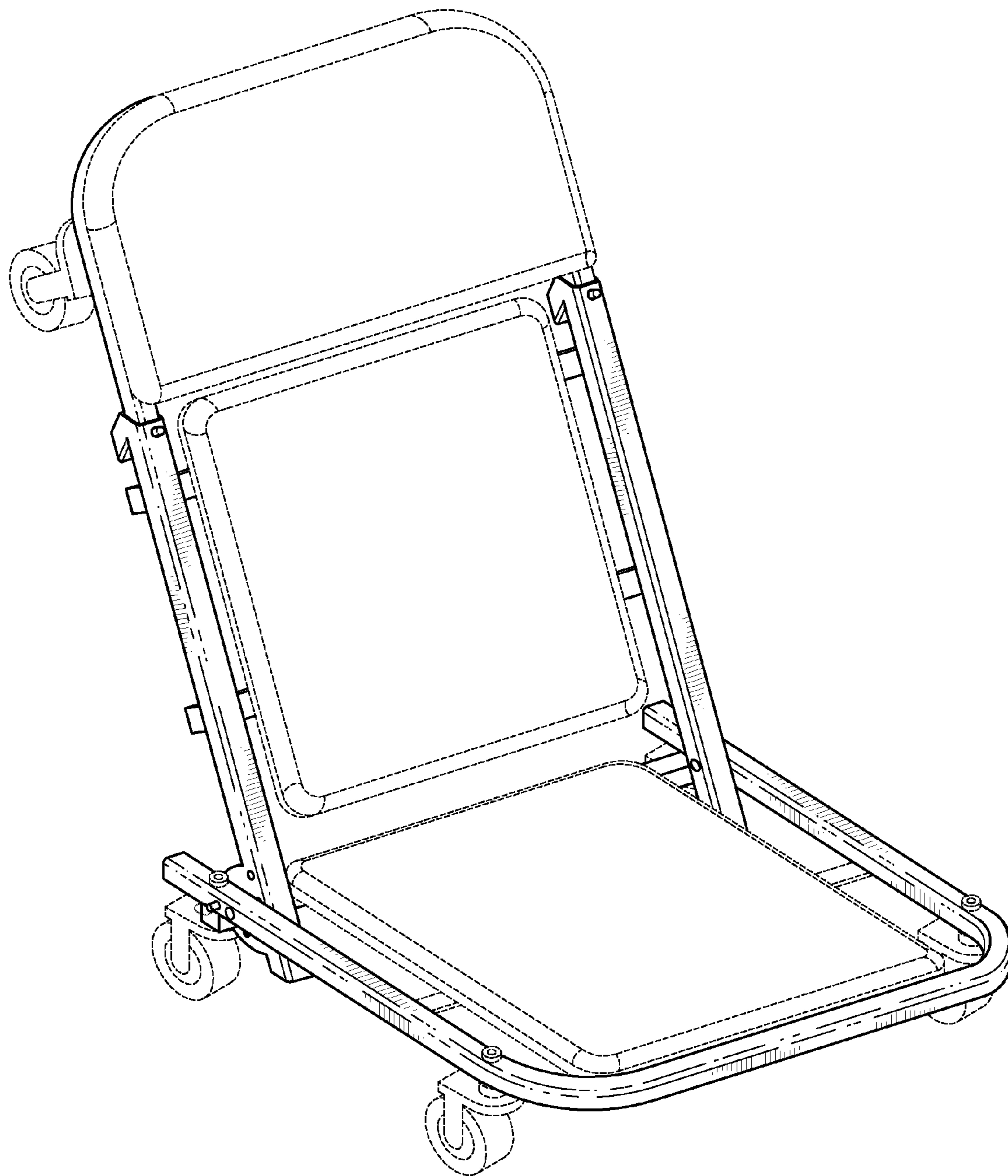
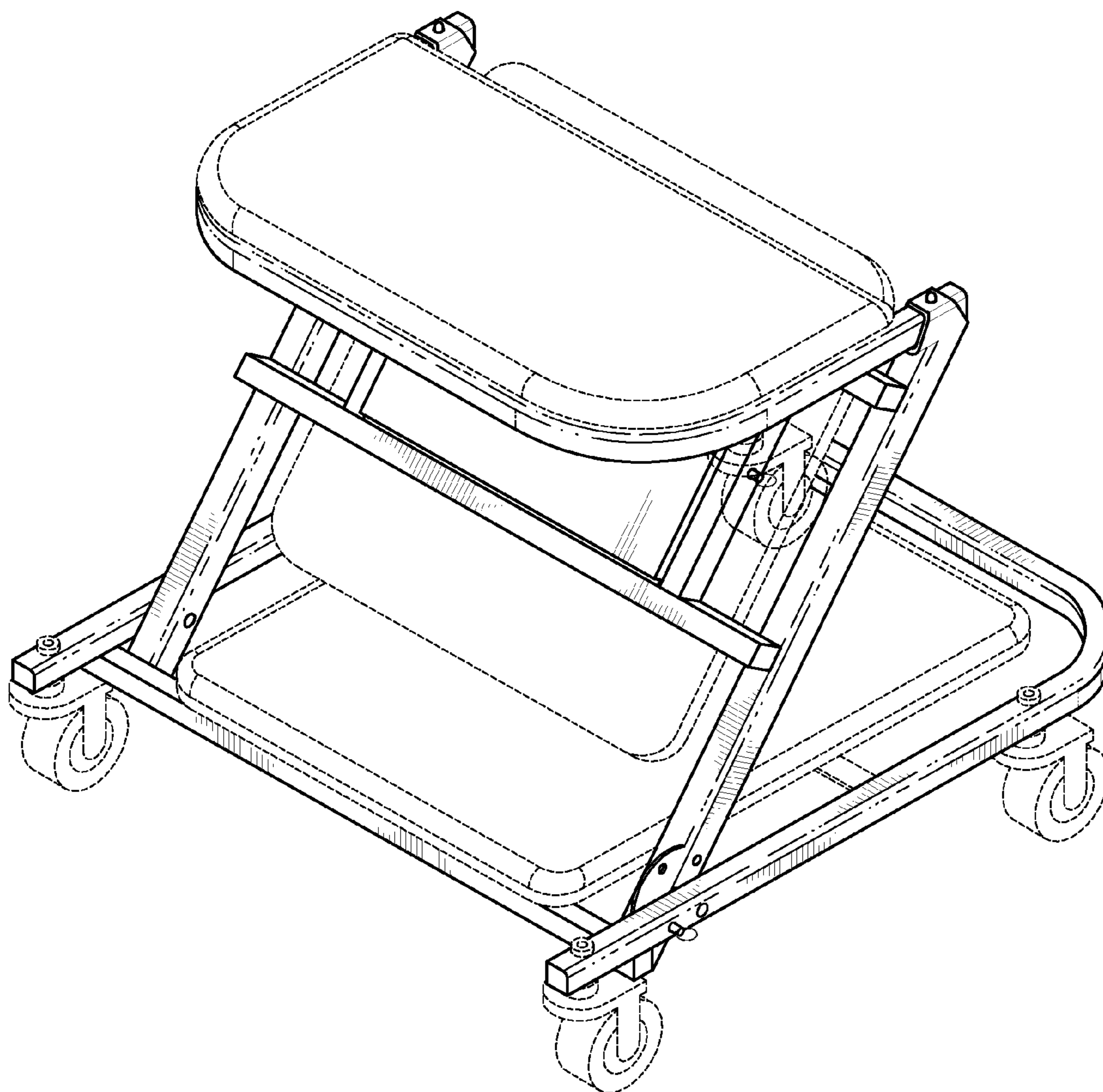


FIG. 4





*FIG. 5*



*FIG. 6*